

# SP4x\_ProgAdapter

## Using as programmer and debugger for custom boards

IFAG ATV SC MEMS TM  
2021-03-29

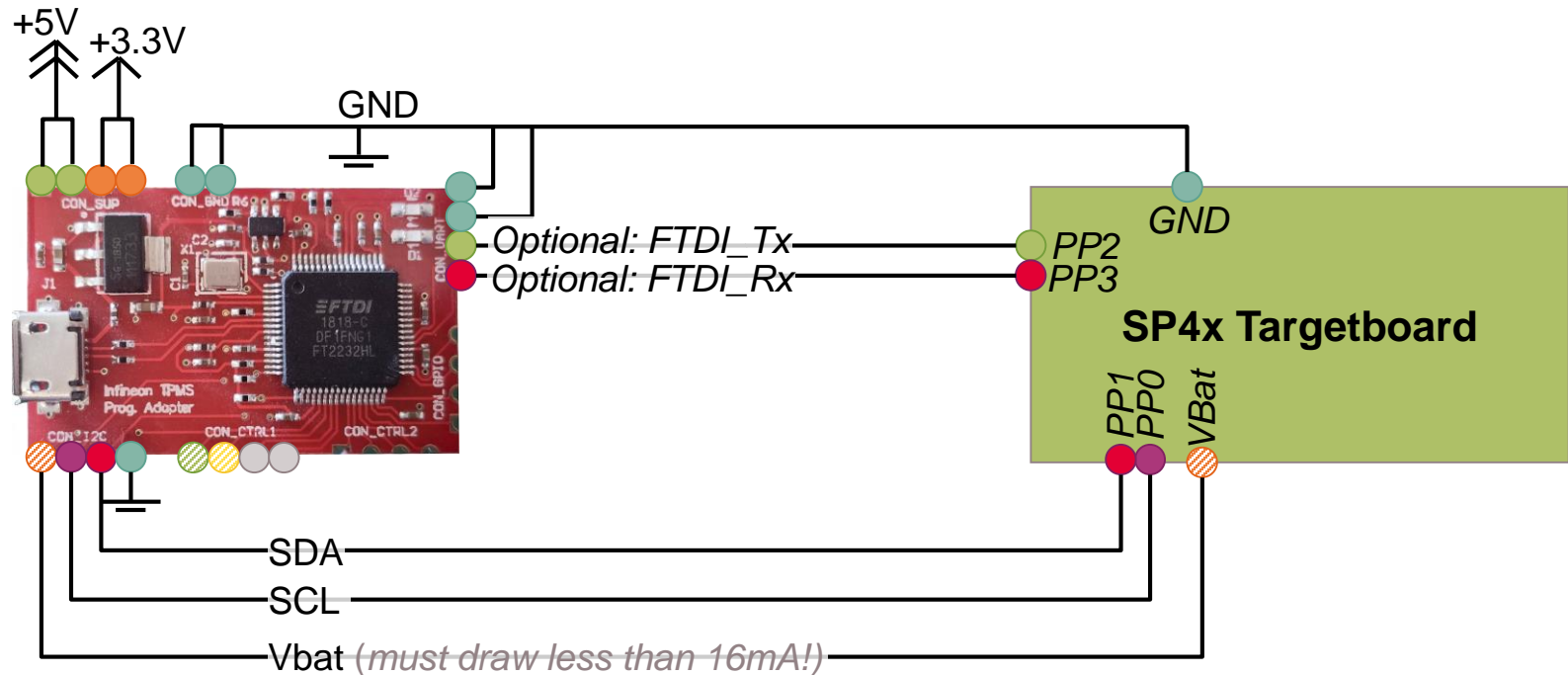


# SP4x\_ProgAdapter

Using as programmer and debugger for custom boards

## 1.1

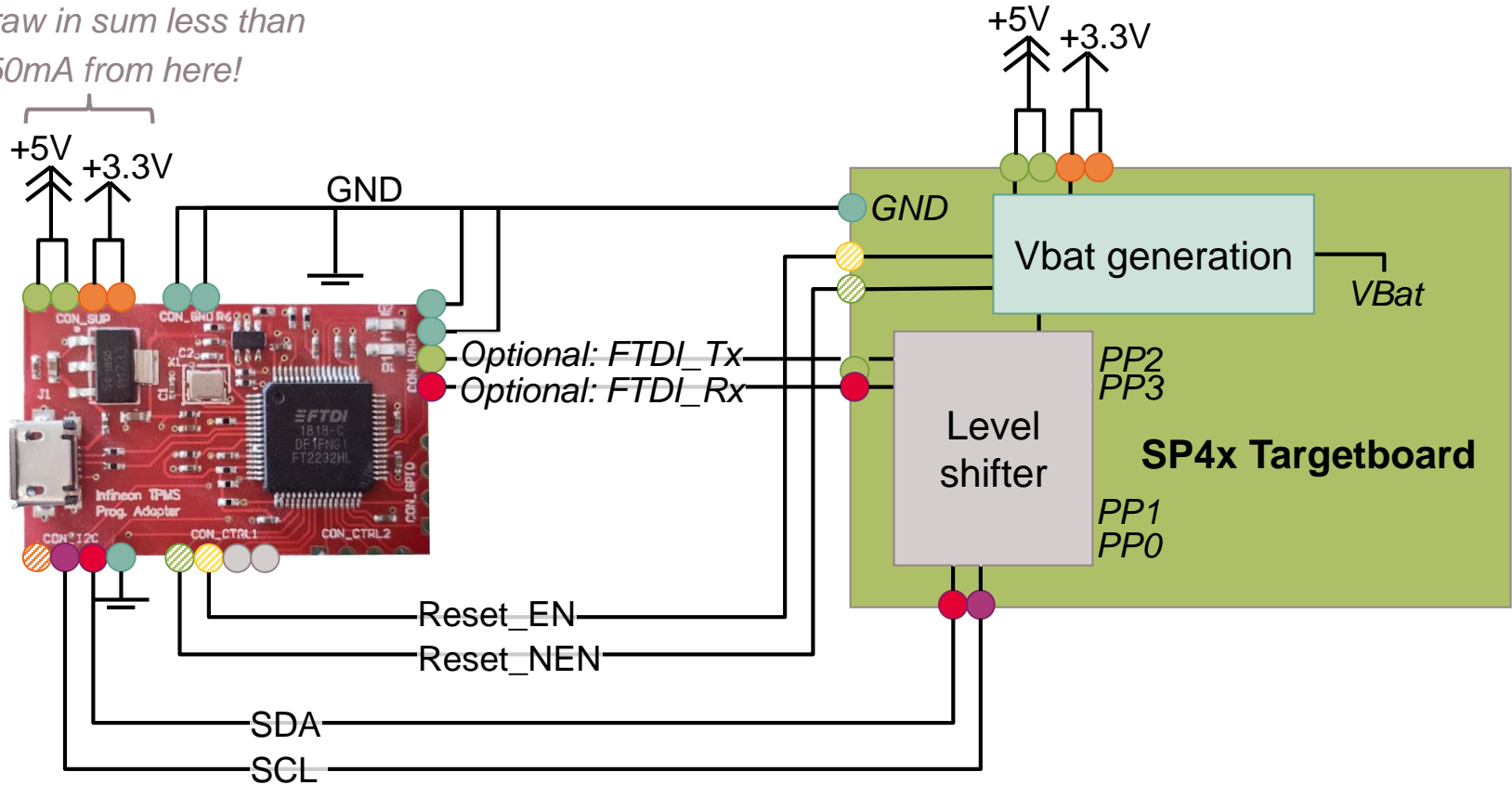
### HW setup 1: Simple



### 1.2

### HW setup 2: Advanced


Draw in sum less than 250mA from here!

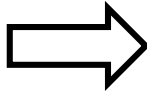


## 2.1

### SW setup 1: Keil plugin

## Install Keil plugin via installer

 SP4xTargetGen2\_Installer.exe



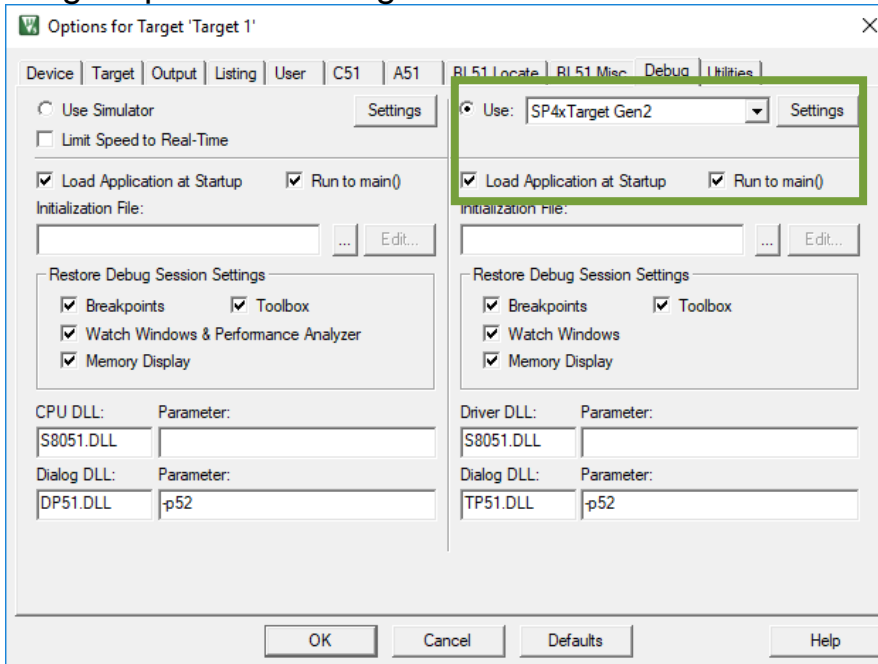
```
*****  
**** Infineon SP4xTargetGen2 Installer ****  
*****  
  
-> Searching for installation-path of uVision...  
... Found in C:\Keil_v5  
-> Checking if TOOLS.INI can be found...  
... found C:\Keil_v5\TOOLS.INI  
-> Checking if C51 toolchain is installed...  
... found C:\Keil_v5\C51\BIN  
-> Copying target dlls to C51/BIN folders...  
... copied to C:\Keil_v5\C51\BIN  
-> Adding target-driver to TOOLS.INI...  
... Done for C:\Keil_v5\TOOLS.INI  
  
**** Press any key to finish ****
```

### 2.2

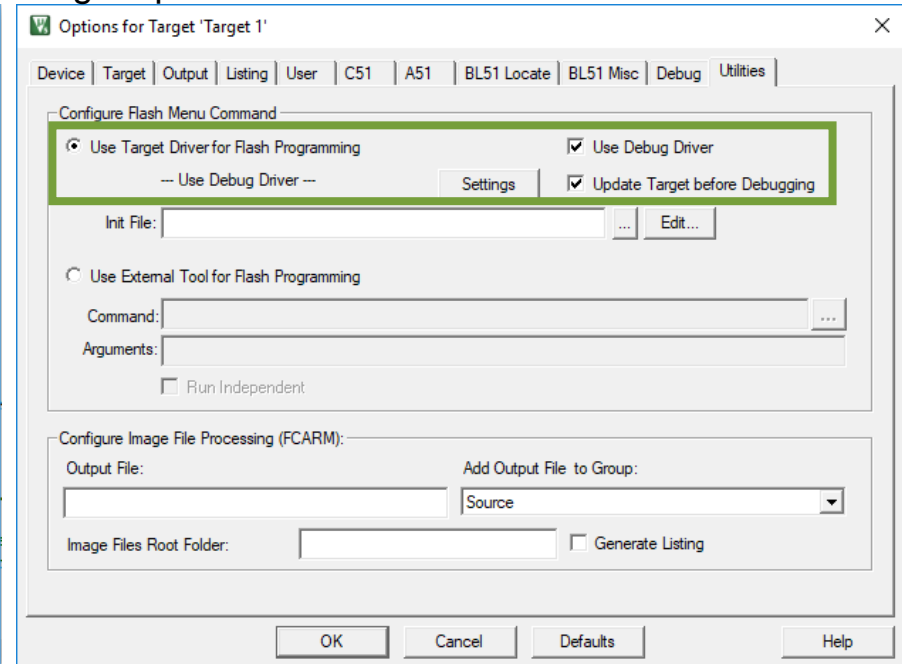
### SW setup 2: Configure project

## Configure Keil project to use new plugin

Target options > Debug



Target options > Utilities





Part of your life. Part of tomorrow.

## X-ON Electronics

Largest Supplier of Electrical and Electronic Components

*Click to view similar products for [Board Mount Pressure Sensors](#) category:*

*Click to view products by [Infineon](#) manufacturer:*

Other Similar products are found below :

[6407-249V-17343P](#) [6407-250V-09273P](#) [6407-250V-09343P](#) [80527-25.0H2-05](#) [80541-B00000150-01](#) [80541-B00000200-05](#) [80554-00700100-05](#) [80568-00300050-01](#) [93.631.4253.0](#) [93.731.4353.0](#) [93.932.4553.0](#) [136PC15A1](#) [142PC95AW71](#) [142PC05DW70](#) [15PSI-G-4V1805-01A-L0N-B](#) [26PCBKT](#) [26PCCFA6D26](#) [26PCCFS2G](#) [26PCCVA6D](#) [93.632.7353.0](#) [93.731.3653.0](#) [93.931.4853.0](#) [93.932.4853.0](#) [SDP510-500PA](#) [185PC30DH](#) [20INCH-G-MV-MINI](#) [26PCAFJ3G](#) [26PCCEP5G24](#) [26PCCFJ3G](#) [26PCDFA3G](#) [26PCJEU5G19](#) [30INCH-D1-MV-MINI](#) [ASCX15AN-90](#) [ASCX15AN/SZ76114](#) [4426-015G](#) [4525-DS5A030DP](#) [DCAL401DN](#) [DCAL401GN](#) [4515-DS5A020DP](#) [XZ202798SSC](#) [XZ203676HSC](#) [6407-249V-09273P](#) [6407-249V-09343P](#) [6407-249V-17273P](#) [6407-250V-17273P](#) [6407-250V-17343P](#) [81717-00000050-05](#) [81794-B00001200-01](#) [82681-B00000100-01](#)