

# LITIX™ Power

## TLD5098EL - Multitopology LITIX™ Power DC/DC Controller IC



### 1 Overview

#### Description

The TLD5098EL is a flexibly usable DC/DC boost controller with built in diagnosis and protection features especially designed to drive LEDs.

It is designed to support fixed current and fixed voltage configurations in multiple topologies such as Boost, Buck, Buck-Boost, SEPIC and Flyback by simply adjusting the external components. The TLD5098EL drives a low side n-channel power MOSFET from an internal 5 V linear regulator. The switching frequency is adjustable in the range from 100 kHz to 500 kHz and can also be synchronized to an external clock source.

The TLD5098EL can be flexibly dimmed by means of analog and PWM dimming; an enable function reduces the shut-down current consumption to  $I_{Q\_OFF} < 10 \mu A$ .

The current mode control scheme of this device provides a stable regulation loop maintained by small external compensation components. Additionally an integrated soft start feature limits the current peak as well as voltage overshoot at start-up. This IC is suited for use in the harsh automotive environments.

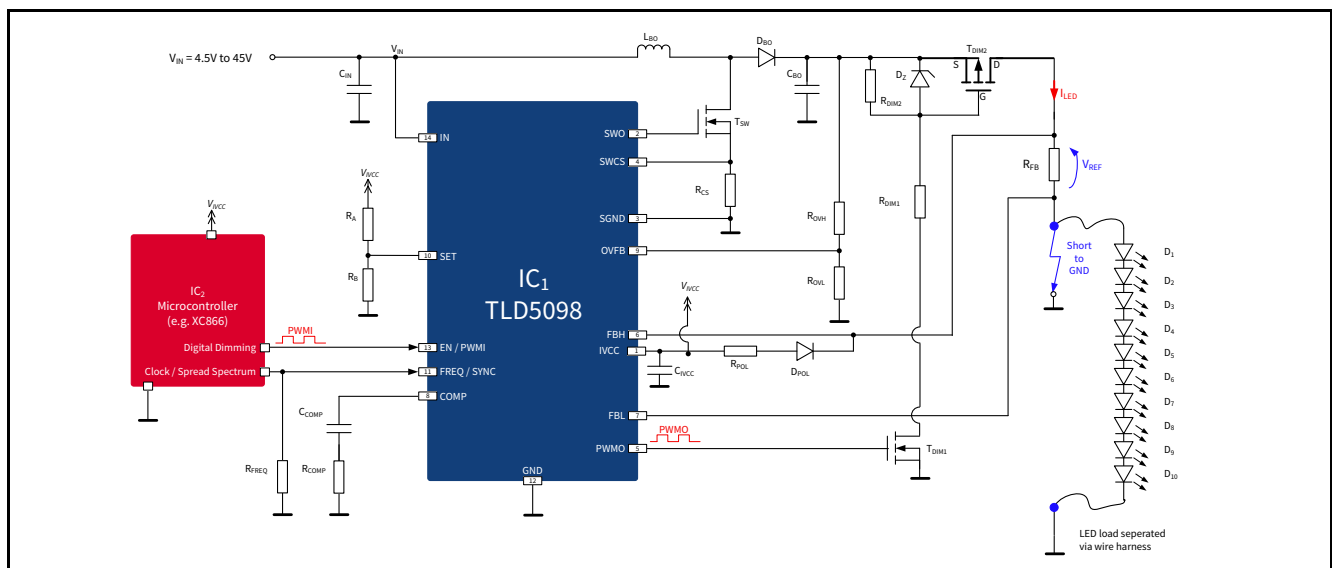
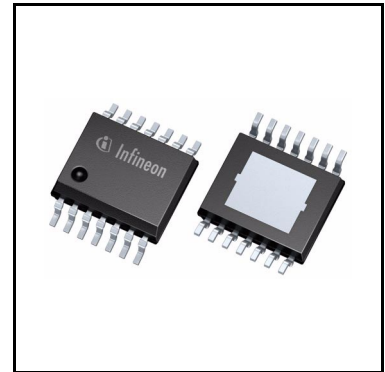


Figure 1 Typical application: Boost LED driver with short circuit protection circuitry

Type	Package	Marking
TLD5098EL	PG-SSOP-14-3	TLD5098

**Potential applications**

**Potential applications**

- Automotive exterior and interior lighting
- General illumination
- General purpose current/voltage controlled DC/DC driver

**Features**

- Fixed current or fixed voltage configuration in Boost, Buck, Buck-Boost, SEPIC and Flyback topology
- Drives low-side external n-Channel switching MOSFET from internal 5 V voltage regulator
- Flexible switching frequency range, 100 kHz to 500 kHz or synchronization with external clock source
- Wide input voltage range from 4.5 V to 45 V
- Enable & PWM function with very low shutdown current:  $I_{Q\_OFF} < 10 \mu A$  and internal start-up
- Analog dimming and PWM dimming feature to adjust average LED current
- PWMO Gate driver for PWM dimming and output disconnection
- Integrated protection and diagnostic functions
- 300 mV high-side current sense
- Available in a small thermally enhanced 14-pin PG-SSOP-14-3 package (RoHS compliant)

**Table 1 Product summary**

Feature	Symbol	Range
Nominal supply voltage range	$V_{IN}$	8 V ... 34 V
Extended supply voltage range	$V_{IN}$	4.5 V ... 45 V $V_{IVCC} > V_{IVCC,RTH,d}$ ; parameter deviations possible
Switching frequency range	$f_{FREQ}$	100 kHz ... 500 kHz oscillator frequency adjustment range 250 kHz ... 500 kHz synchronization frequency capture range
Maximum duty cycle	$D_{max, fixed}$	91% ...95% fixed frequency mode
	$D_{max, synced}$	88% synchronization mode
Typical gate driver peak sourcing current	$I_{SWO, SRC}$	380 mA
Typical gate driver peak sinking current	$I_{SWO, SNK}$	550 mA

**Protection and diagnostic functions**

- Open circuit detection
- Output overvoltage protection
- Short to GND protection
- Overtemperature shutdown
- Electrostatic discharge (ESD) protection

**Product validation**

Qualified for automotive applications. Product validation according to AEC-Q100/101.

## Table of contents

<b>1</b>	<b>Overview</b> .....	<b>1</b>
<b>2</b>	<b>Block diagram</b> .....	<b>4</b>
<b>3</b>	<b>Pin configuration</b> .....	<b>5</b>
3.1	Pin assignment .....	5
3.2	Pin definitions and functions .....	5
<b>4</b>	<b>General product characteristics</b> .....	<b>7</b>
4.1	Absolute maximum ratings .....	7
4.2	Functional range .....	9
4.3	Thermal resistance .....	9
<b>5</b>	<b>Switching regulator</b> .....	<b>10</b>
5.1	Description .....	10
5.2	Electrical characteristics .....	11
<b>6</b>	<b>Oscillator and synchronization</b> .....	<b>13</b>
6.1	Description .....	13
6.2	Electrical characteristics .....	14
6.3	Typical performance characteristics of oscillator .....	15
<b>7</b>	<b>Enable and dimming function</b> .....	<b>16</b>
7.1	Description .....	16
7.2	Electrical characteristics .....	17
<b>8</b>	<b>Linear regulator</b> .....	<b>19</b>
8.1	Description .....	19
8.2	Electrical characteristics .....	20
<b>9</b>	<b>Protection and diagnostic functions</b> .....	<b>21</b>
9.1	Description .....	21
9.2	Electrical characteristics .....	26
<b>10</b>	<b>Analog dimming</b> .....	<b>27</b>
10.1	Purpose of analog dimming .....	27
10.2	Description .....	27
10.3	Electrical characteristics .....	31
<b>11</b>	<b>Application information</b> .....	<b>32</b>
11.1	Further application information .....	38
<b>12</b>	<b>Package outlines</b> .....	<b>39</b>
<b>13</b>	<b>Revision history</b> .....	<b>40</b>

Block diagram

2 Block diagram

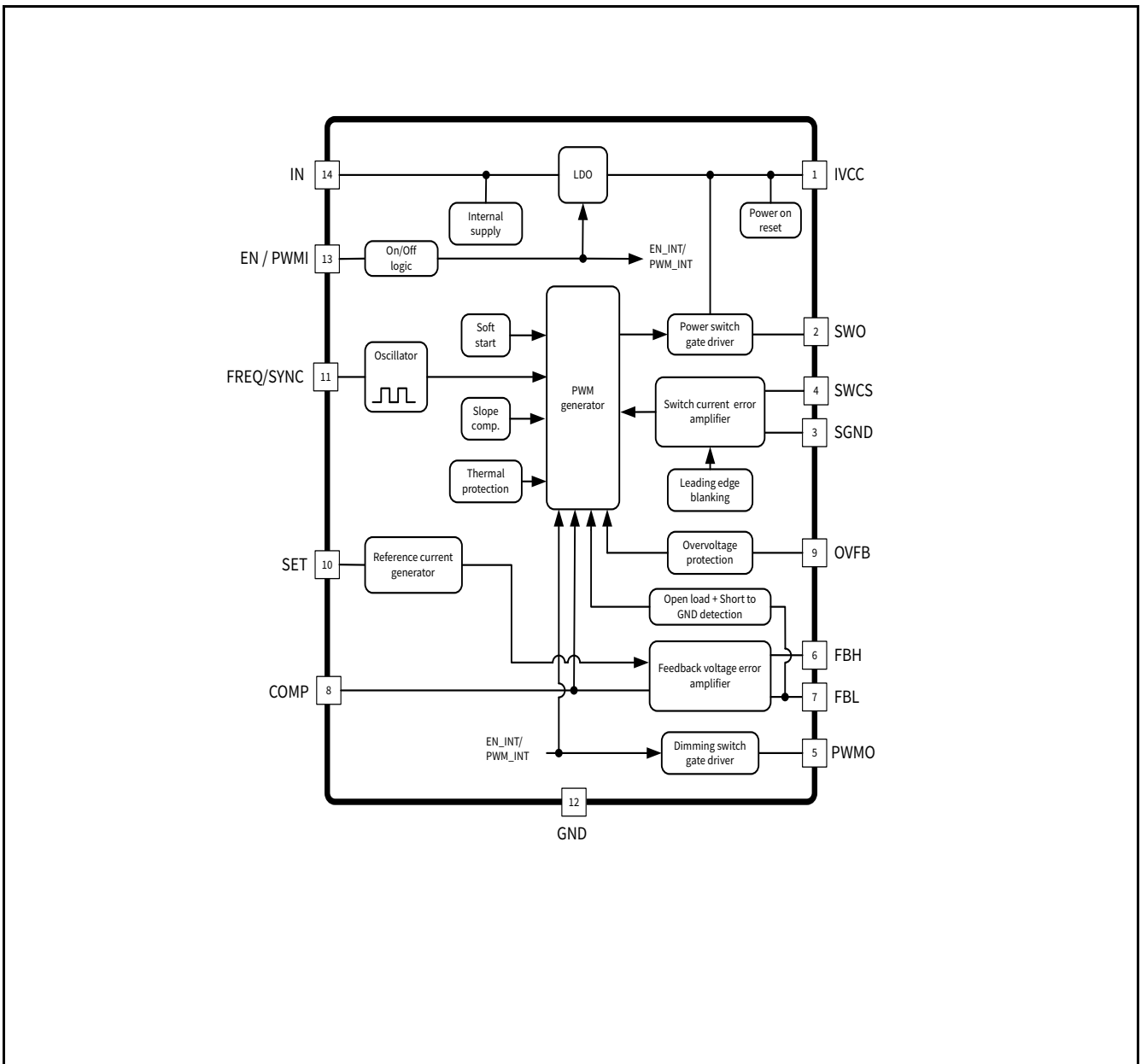


Figure 2 Block diagram TLD5098EL

Pin configuration

### 3 Pin configuration

#### 3.1 Pin assignment

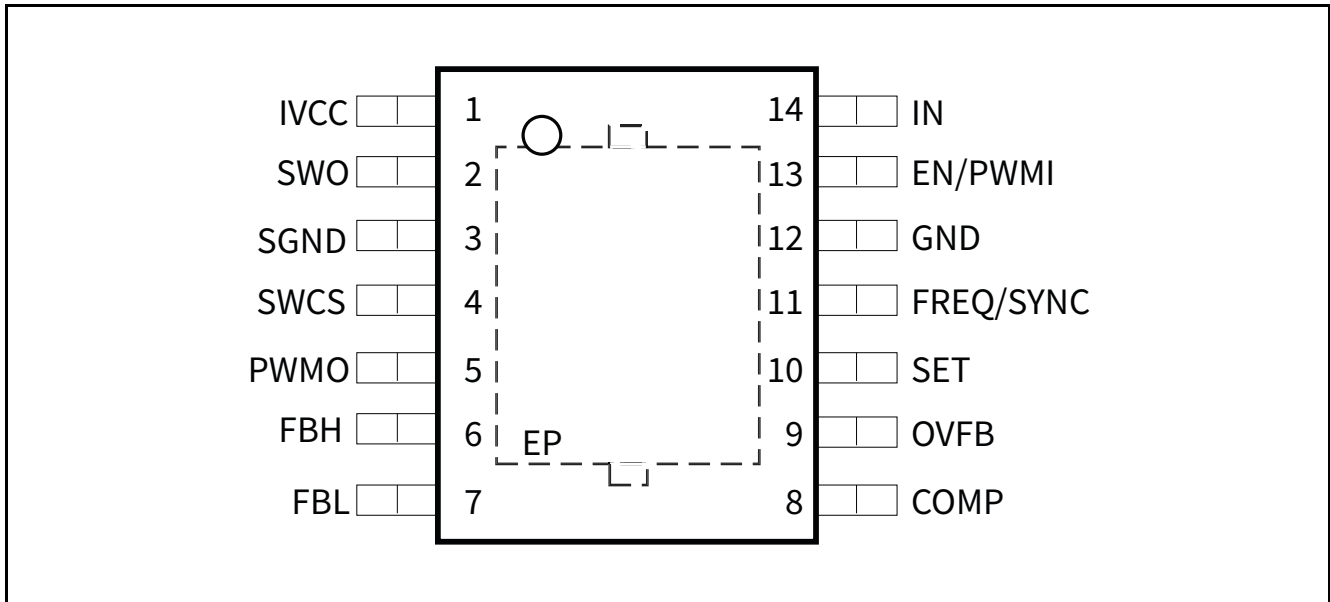


Figure 3 Pin configuration TLD5098EL

#### 3.2 Pin definitions and functions

Table 2 Pin definition and function

#	Symbol	Direction	Function
1	IVCC	Output	<b>Internal LDO</b> Used for internal biasing and gate drive. Bypass with external capacitor. Pin must not be left open
2	SWO	Output	<b>Switch gate driver</b> Connect to gate of external switching MOSFET
3	SGND	-	<b>Current Sense Ground</b> Ground return for switch current sense
4	SWCS	Input	<b>Current Sense</b> Detects the peak current through switch
5	PWMO	Output	<b>PWM Dimming</b> Connect to gate of external MOSFET
6	FBH	Input	<b>Voltage Feedback Positive</b> Non inverting Input (+)
7	FBL	Input	<b>Voltage Feedback Negative</b> Inverting Input (-)
8	COMP	Input	<b>Compensation</b> Connect R and C network to pin for stability

**Pin configuration**

**Table 2 Pin definition and function**

#	Symbol	Direction	Function
9	OVFB	Input	<b>Overvoltage Protection Feedback</b> Connect to resistive voltage divider to set overvoltage threshold
10	SET	Input	<b>Analog Dimming</b> Load current adjustment Pin. Pin must not be left open. If analog dimming feature is not used connect to IVCC pin
11	FREQ / SYNC	Input	<b>Frequency Select or Synchronization</b> Connect external resistor to GND to set frequency. Or apply external clock signal for synchronization within frequency capture range
12	GND	–	<b>Ground</b> Connect to system ground
13	EN / PWMI	Input	<b>Enable or PWM</b> Apply logic HIGH signal to enable device or PWM signal for dimming LED
14	IN	Input	<b>Supply Input</b> Supply for internal biasing
	EP	–	<b>Exposed Pad</b> Connect to external heat spreading GND Cu area (e.g. inner GND layer of multilayer PCB with thermal vias)

General product characteristics

## 4 General product characteristics

### 4.1 Absolute maximum ratings

$T_J = -40^\circ\text{C}$  to  $+150^\circ\text{C}$ ; all voltages with respect to ground, positive current flowing into pin (unless otherwise specified)

**Table 3 Absolute maximum ratings<sup>1)</sup>**

Parameter	Symbol	Values			Unit	Note or Test Condition	Number
		Min.	Typ.	Max.			
<b>Voltage</b>							
IN Supply input	$V_{IN}$	-0.3		45	V		P_4.1.1
EN / PWMI Enable or PWM input	$V_{EN}$	-40		45	V		P_4.1.2
FBH-FBL; Feedback Error Amplifier Differential	$V_{FBH}-V_{FBL}$	-40		61	V	The maximum delta must not exceed 61 V. Differential signal (not referred to GND)	P_4.1.3
FBH; Feedback error amplifier positive input	$V_{FBH}$	-40		61	V	The difference between $V_{FBH}$ and $V_{FBL}$ must not exceed 61 V, refer to P_4.1.3	P_4.1.4
FBL Feedback error amplifier negative input	$V_{FBL}$	-40		61	V	The difference between $V_{FBH}$ and $V_{FBL}$ must not exceed 61 V, refer to P_4.1.3	P_4.1.5
FBH and FBL current	$I_{FBL}, I_{FBH}$		1		mA	$t < 100$ ms, $V_{FBH}-V_{FBL} = 0.3$ V	P_4.1.6
OVFB Overvoltage feedback input	$V_{OVP}$	-0.3		5.5	V		P_4.1.7
OVFB Overvoltage feedback input	$V_{OVP}$	-0.3		6.2	V	$t < 10$ s	P_4.1.8
SWCS Switch current sense input	$V_{SWCS}$	-0.3		5.5	V		P_4.1.9
SWCS Switch current sense input	$V_{SWCS}$	-0.3		6.2	V	$t < 10$ s	P_4.1.10
SWO Switch gate drive output	$V_{SWO}$	-0.3		5.5	V		P_4.1.11

General product characteristics

**Table 3 Absolute maximum ratings<sup>1)</sup>**

Parameter	Symbol	Values			Unit	Note or Test Condition	Number
		Min.	Typ.	Max.			
SWO Switch gate drive output	$V_{SWO}$	-0.3		6.2	V	t < 10 s	P_4.1.12
SGND Current sense switch GND	$V_{SGND}$	-0.3		0.3	V		P_4.1.13
COMP Compensation input	$V_{COMP}$	-0.3		5.5	V		P_4.1.14
COMP Compensation input	$V_{COMP}$	-0.3		6.2	V	t < 10 s	P_4.1.15
FREQ / SYNC; Frequency and synchronization input	$V_{FREQ} / V_{SYNC}$	-0.3		5.5	V		P_4.1.16
FREQ / SYNC; Frequency and synchronization input	$V_{FREQ} / V_{SYNC}$	-0.3		6.2	V	t < 10 s	P_4.1.17
PWMO PWM dimming output	$V_{PWMO}$	-0.3		5.5	V		P_4.1.18
PWMO PWM dimming output	$V_{PWMO}$	-0.3		6.2	V	t < 10 s	P_4.1.19
SET	$V_{SET}$	-0.3		45	V		P_4.1.20
IVCC Internal linear voltage regulator output	$V_{IVCC}$	-0.3		5.5	V		P_4.1.21
IVCC Internal linear voltage regulator output	$V_{IVCC}$	-0.3		6.2	V	t < 10 s	P_4.1.22

**Temperature**

Junction temperature	$T_J$	-40		150	°C		P_4.1.23
Storage temperature	$T_{stg}$	-55		150	°C		P_4.1.24

**ESD Susceptibility**

ESD resistivity of all pins	$V_{ESD,HBM}$	-2		2	kV	HBM <sup>2)</sup>	P_4.1.25
ESD resistivity of IN, EN/PWMI, FBH, FBL and SET pin to GND	$V_{ESD,HBM}$	-4		4	kV	HBM <sup>2)3)</sup>	P_4.1.26

1) Not subject to production test, specified by design.

2) ESD susceptibility, Human Body Model “HBM” according to ANSI/ESDA/JEDEC JS-001 (1.5 kΩ, 100 pF)

3) ESD susceptibility, Charged Device Model “CDM” EIA/JESD22-C101 or ESDA STM5.3.1

*Note: Stresses above the ones listed here may cause permanent damage to the device. Exposure to absolute maximum rating conditions for extended periods may affect device reliability.*



## General product characteristics

1. Integrated protection functions are designed to prevent IC destruction under fault conditions described in the data sheet. Fault conditions are considered as “outside” normal operating range. Protection functions are not designed for continuous repetitive operation.

## 4.2 Functional range

**Table 4 Functional range**

Parameter	Symbol	Values			Unit	Note or Test Condition	Number
		Min.	Typ.	Max.			
Extended supply voltage range	$V_{IN}$	4.5	–	45	V	<sup>1)</sup> $V_{IVCC} > V_{IVCC, RTH, d}$ ; parameter deviations possible	P_4.2.1
Nominal supply voltage range	$V_{IN}$	8	–	34	V	–	P_4.2.2
Feedback voltage input	$V_{FBH}; V_{FBL}$	3	–	60	V	–	P_4.2.3
Junction temperature	$T_J$	-40	–	150	°C	–	P_4.2.4

1) Not subject to production test, specified by design

**Note:** Within the functional range the IC operates as described in the circuit description. The electrical characteristics are specified within the conditions given in the related electrical characteristics table.

## 4.3 Thermal resistance

**Note:** This thermal data was generated in accordance with JEDEC JESD51 standards. For further information visit <https://www.jedec.org>

**Table 5 Thermal resistance**

Parameter	Symbol	Values			Unit	Note or Test Condition	Number
		Min.	Typ.	Max.			
Junction to Case	$R_{thJC}$	–	10	–	K/W	<sup>1)2)</sup>	P_4.3.1
Junction to Ambient	$R_{thJA}$	–	47	–	K/W	<sup>1)3)</sup> 2s2p	P_4.3.2
Junction to Ambient	$R_{thJA}$	–	54	–	K/W	<sup>1)3)</sup> 1s0p + 600 mm <sup>2</sup>	P_4.3.3
Junction to Ambient	$R_{thJA}$	–	64	–	K/W	<sup>1)3)</sup> 1s0p + 300 mm <sup>2</sup>	P_4.3.4

1) Not subject to production test, specified by design

2) Specified  $R_{thJC}$  value is simulated at natural convection on a cold plate setup (all pins and the exposed pad are fixed to ambient temperature).  $T_A = 25^\circ\text{C}$  dissipates 1 W

3) Specified  $R_{thJA}$  value is according to JEDEC 2s2p (JESD 51-7) + (JESD 51-5) and JEDEC 1s0p (JESD 51-3) + heatsink area at natural convection on FR4 board; The device was simulated on a 76.2 x 114.3 x 1.5 mm board. The 2s2p board has 2 outer copper layers (2 x 70  $\mu\text{m}$  Cu) and 2 inner copper layers (2 x 35  $\mu\text{m}$  Cu), A thermal via (diameter = 0.3 mm and 25  $\mu\text{m}$  plating) array was applied under the exposed pad and connected the first outer layer (top) to the first inner layer and second outer layer (bottom) of the JEDEC PCB.  $T_A = 25^\circ\text{C}$ , IC dissipates 1W

Switching regulator

## 5 Switching regulator

### 5.1 Description

The TLD5098EL regulator is suitable for Boost, Buck, Buck-Boost, SEPIC and Flyback configurations. The constant output current is especially useful for light emitting diode (LED) applications. The switching regulator function is implemented by a pulse width modulated (PWM) current mode controller.

The PWM current mode controller uses the peak current through the external power switch and error in the output current to determine the appropriate pulse width duty cycle (on time) for constant output current. The current mode controller provides a PWM signal to an internal gate driver which then outputs to an external n-channel enhancement mode metal oxide field effect transistor (MOSFET) power switch.

The current mode controller also has built-in slope compensation to prevent sub-harmonic oscillations which is a characteristic of current mode controllers operating at high duty cycles (>50% duty).

An additional built-in feature is an integrated soft start that limits the current through the inductor and external power switch during initialization. The soft start function gradually increases the inductor and switch current over  $t_{SS}$  (P\_5.2.9) to minimize potential overvoltage at the output.

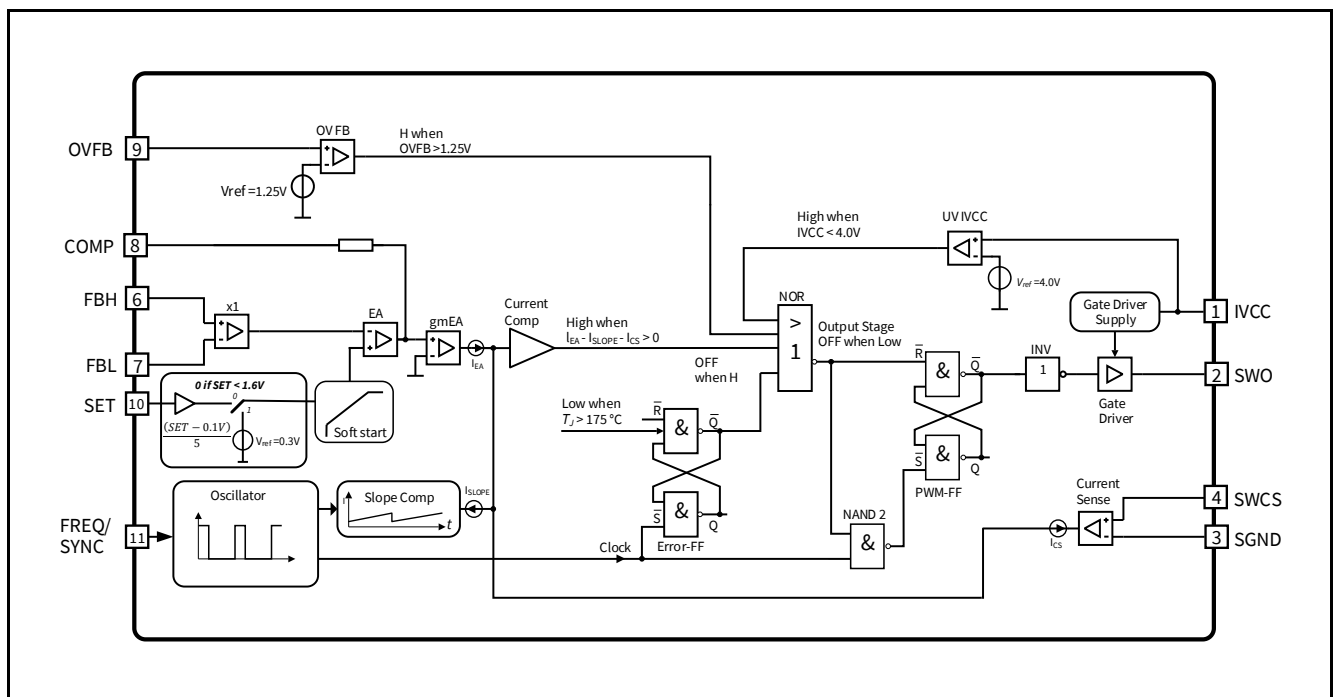


Figure 4 Switching regulator block diagram

Switching regulator

5.2 Electrical characteristics

$V_{IN} = 8\text{ V to }34\text{ V}$ ;  $T_J = -40^\circ\text{C to }+150^\circ\text{C}$ , all voltages with respect to ground, positive current flowing into pin; (unless otherwise specified)

Table 6 Electrical characteristics: Switching regulator

Parameter	Symbol	Values			Unit	Note or Test Condition	Number
		Min.	Typ.	Max.			
<b>Regulator</b>							
Feedback reference voltage	$V_{REF}$	0.29	0.30	0.31	V	refer to <b>Figure 30</b> $V_{REF} = V_{FBH} - V_{FBL}$ $V_{SET} = 5\text{ V}$ $I_{LED} = 350\text{ mA}$	P_5.2.1
Feedback reference voltage	$V_{REF}$	0.057	0.06	0.063	V	refer to <b>Figure 30</b> $V_{REF} = V_{FBH} - V_{FBL}$ $V_{SET} = 0.4\text{ V}$ $I_{LED} = 70\text{ mA}$	P_5.2.2
Feedback reference voltage offset	$V_{REF\_offset}$	–	–	5	mV	refer to <b>Figure 18</b> and <b>Figure 30</b> $V_{REF} = V_{FBH} - V_{FBL}$ $V_{SET} = 0.1\text{ V}$ $V_{OUT} > V_{IN}$	P_5.2.3
Voltage line regulation	$(\Delta V_{REF}/V_{REF}) / \Delta V_{IN}$	–	–	0.15	%/V	refer to <b>Figure 30</b> $V_{IN} = 8\text{ V to }19\text{ V}$ ; $V_{SET} = 5\text{ V}$ ; $I_{LED} = 350\text{ mA}$	P_5.2.4
Voltage load regulation	$(\Delta V_{REF}/V_{REF}) / \Delta I_{BO}$	–	–	5	%/A	refer to <b>Figure 30</b> $V_{SET} = 5\text{ V}$ ; $I_{LED} = 100\text{ to }500\text{ mA}$	P_5.2.5
Switch peak over-current threshold	$V_{SWCS}$	130	150	170	mV	$V_{FB} = V_{FBL} = 5\text{ V}$ $V_{COMP} = 3.5\text{ V}$	P_5.2.6
Maximum duty cycle	$D_{MAX, fixed}$	91	93	95	%	Fixed frequency mode	P_5.2.7
Maximum duty cycle	$D_{MAX, sync}$	88	–	–	%	Synchronization mode	P_5.2.8
Soft start ramp	$t_{SS}$	350	1000	1500	$\mu\text{s}$	$V_{FBH}$ rising from 5% to 95% of $V_{FB}$ , typ.	P_5.2.9
IFBH Feedback high input current	$I_{FBH}$	38	46	54	$\mu\text{A}$	$V_{FBH} - V_{FBL} = 0.3\text{ V}$	P_5.2.10
IFBL Feedback low input current	$I_{FBL}$	15	21	27	$\mu\text{A}$	$V_{FBH} - V_{FBL} = 0.3\text{ V}$	P_5.2.11
Switch current sense input current	$I_{SWCS}$	10	50	100	$\mu\text{A}$	$V_{SWCS} = 150\text{ mV}$	P_5.2.12

Switching regulator

**Table 6 Electrical characteristics: Switching regulator**

Parameter	Symbol	Values			Unit	Note or Test Condition	Number
		Min.	Typ.	Max.			
Input undervoltage shutdown	$V_{IN,off}$	3.5	–	4.5	V	$V_{IN}$ decreasing	P_5.2.13
Input voltage startup	$V_{IN,on}$	–	–	4.85	V	$V_{IN}$ increasing	P_5.2.14

**Gate driver for external switch**

Gate driver peak sourcing current	$I_{SWO,src}$	–	380	–	mA	<sup>1)</sup> $V_{SWO} = 1\text{ V to }4\text{ V}$	P_5.2.15
Gate driver peak sinking current	$I_{SWO,snk}$	–	550	–	mA	<sup>1)</sup> $V_{SWO} = 4\text{ V to }1\text{ V}$	P_5.2.16
Gate driver output rise time	$t_{R,SWO}$	–	30	60	ns	<sup>1)</sup> $C_{GATE} = 3.3\text{ nF};$ $V_{SWO} = 1\text{ V to }4\text{ V}$	P_5.2.17
Gate driver output fall time	$t_{F,SWO}$	–	20	40	ns	<sup>1)</sup> $C_{GATE} = 3.3\text{ nF};$ $V_{SWO} = 4\text{ V to }1\text{ V}$	P_5.2.18
Gate driver output voltage	$V_{SWO}$	4.5	–	5.5	V	<sup>1)</sup> $C_{GATE} = 3.3\text{ nF}$	P_5.2.19

1) Not subject to production test, specified by design

Oscillator and synchronization

## 6 Oscillator and synchronization

### 6.1 Description

#### $R_{freq}$ vs. switching frequency

The internal oscillator is used to determine the switching frequency of the boost regulator. The switching frequency can be selected from 100 kHz to 500 kHz with an external resistor to GND. To set the switching frequency with an external resistor the following formula can be applied.

$$R_{FREQ} = \frac{1}{(141 \cdot 10^{-12} \left[ \frac{s}{\Omega} \right]) \cdot \left( f_{FREQ} \left[ \frac{1}{s} \right] \right)} - (3.5 \cdot 10^3 [\Omega]) [\Omega] \tag{6.1}$$

In addition, the oscillator is capable of changing from the frequency set by the external resistor to a synchronized frequency from an external clock source. If an external clock source is provided on the pin FREQ/SYNC, then the internal oscillator synchronizes to this external clock frequency and the boost regulator switches at the synchronized frequency. The synchronization frequency capture range is 250 kHz to 500 kHz.

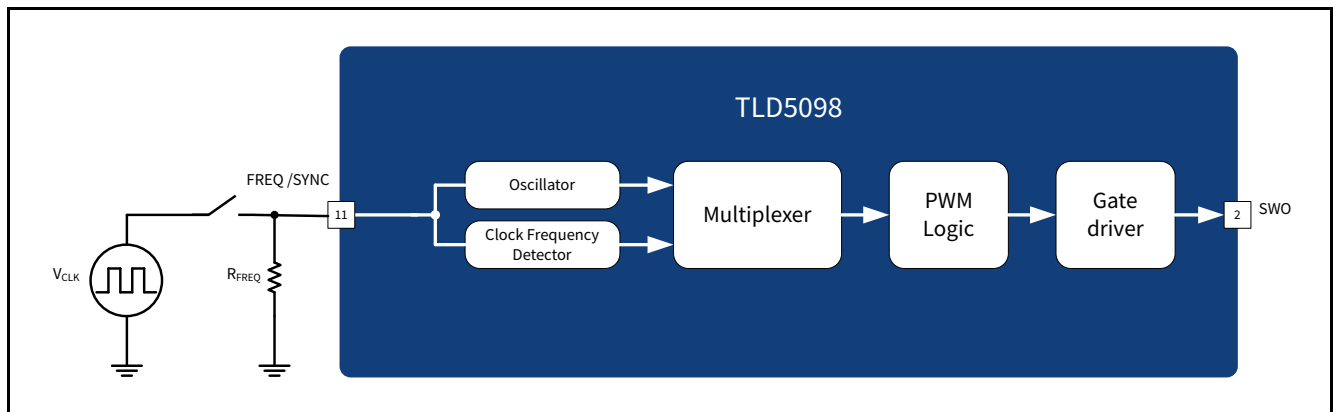


Figure 5 Oscillator and synchronization block diagram and simplified application circuit

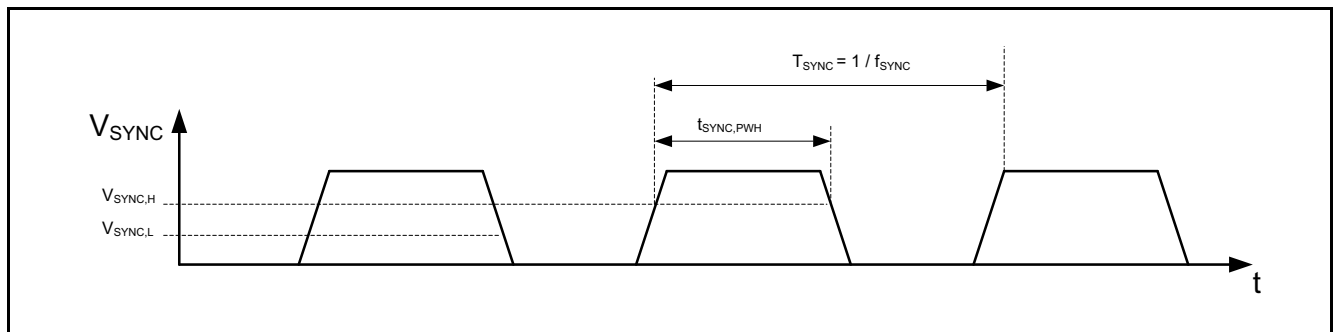


Figure 6 Synchronization timing diagram

Oscillator and synchronization

6.2 Electrical characteristics

$V_{IN} = 8\text{ V to }34\text{ V}$ ,  $T_J = -40^\circ\text{C to }+150^\circ\text{C}$ , all voltages with respect to ground, positive current flowing into pin; (unless otherwise specified)

Table 7 Electrical characteristics: Oscillator and synchronization

Parameter	Symbol	Values			Unit	Note or Test Condition	Number
		Min.	Typ.	Max.			
<b>Oscillator</b>							
Oscillator frequency	$f_{FREQ}$	250	300	350	kHz	$R_{FREQ} = 20\text{ k}\Omega$	P_6.2.1
Oscillator frequency adjustment range	$f_{FREQ}$	100	–	500	kHz		P_6.2.2
FREQ / SYNC supply current	$I_{FREQ}$	–	–	-700	$\mu\text{A}$	$V_{FREQ} = 0\text{ V}$	P_6.2.3
Frequency voltage	$V_{FREQ}$	1.16	1.24	1.32	V	$f_{FREQ} = 100\text{ kHz}$	P_6.2.4
<b>Synchronization</b>							
Synchronization frequency capture range	$f_{SYNC}$	250	–	500	kHz		P_6.2.5
Synchronization signal high logic level valid	$V_{SYNC,H}$	3.0	–	–	V	<sup>1)2)</sup>	P_6.2.6
Synchronization signal low logic level valid	$V_{SYNC,L}$	–	–	0.8	V	<sup>1)2)</sup>	P_6.2.7
Synchronization signal high pulse width	$t_{SYNC,PWH}$	200	–	–	ns	<sup>1)2)</sup>	P_6.2.8

1) Synchronization of external PWM ON signal to falling edge

2) Not subject to production test, specified by design

### 6.3 Typical performance characteristics of oscillator

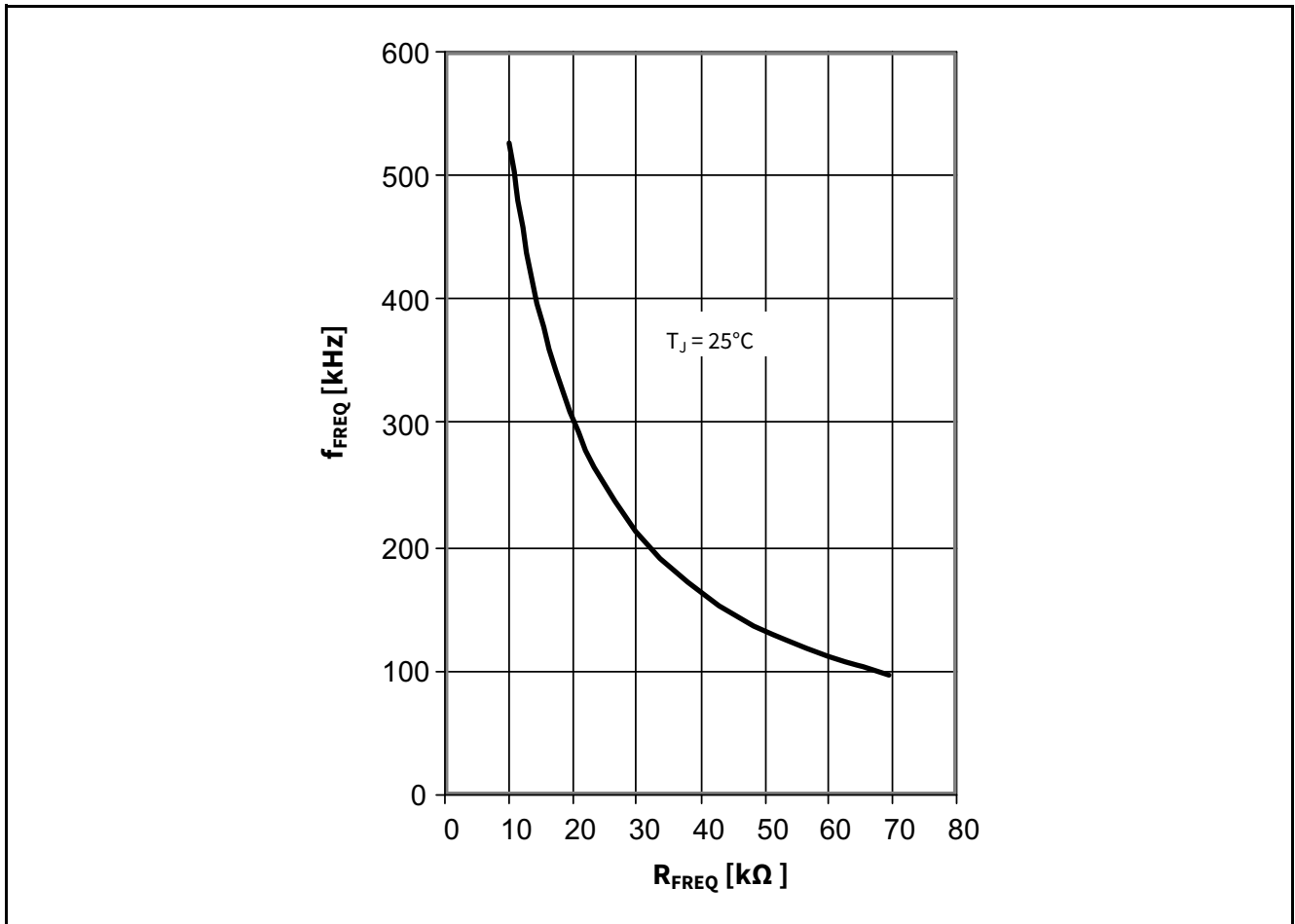


Figure 7 Switching frequency  $f_{\text{SW}}$  versus frequency select resistor to GND  $R_{\text{FREQ}}$

## 7 Enable and dimming function

### 7.1 Description

The enable function powers the device on or off. A valid logic “low” signal on enable pin EN/PWMI powers “off” the device and current consumption is less than  $I_{Q\_OFF}$  (P\_7.1.14). A valid logic “high” enable signal on enable pin EN/PWMI powers on the device. The enable function features an integrated pull down resistor which ensures that the IC is shut down and the power switch is off in case the enable pin EN is left open.

In addition to the enable function described above, the EN/PWMI pin detects a pulse width modulated (PWM) input signal that is fed through to the internal gate driver. The EN/PWMI enables and disables the gate driver for the main switch during PWM operation. PWM dimming an LED is a commonly practiced dimming method and can prevent color shift in an LED light source.

The enable and PWM input function share the same pin. Therefore a valid logic “low” signal at the EN/PWMI pin needs to differentiate between an enable power “off” or a PWM dimming “low” signal. The device differentiates between enable off and PWM dimming signal by requiring the enable off at the EN/PWMI pin to stay “low” for the “**Enable turn off delay time**” ( $t_{EN,OFF,DEL}$  P\_7.1.6).

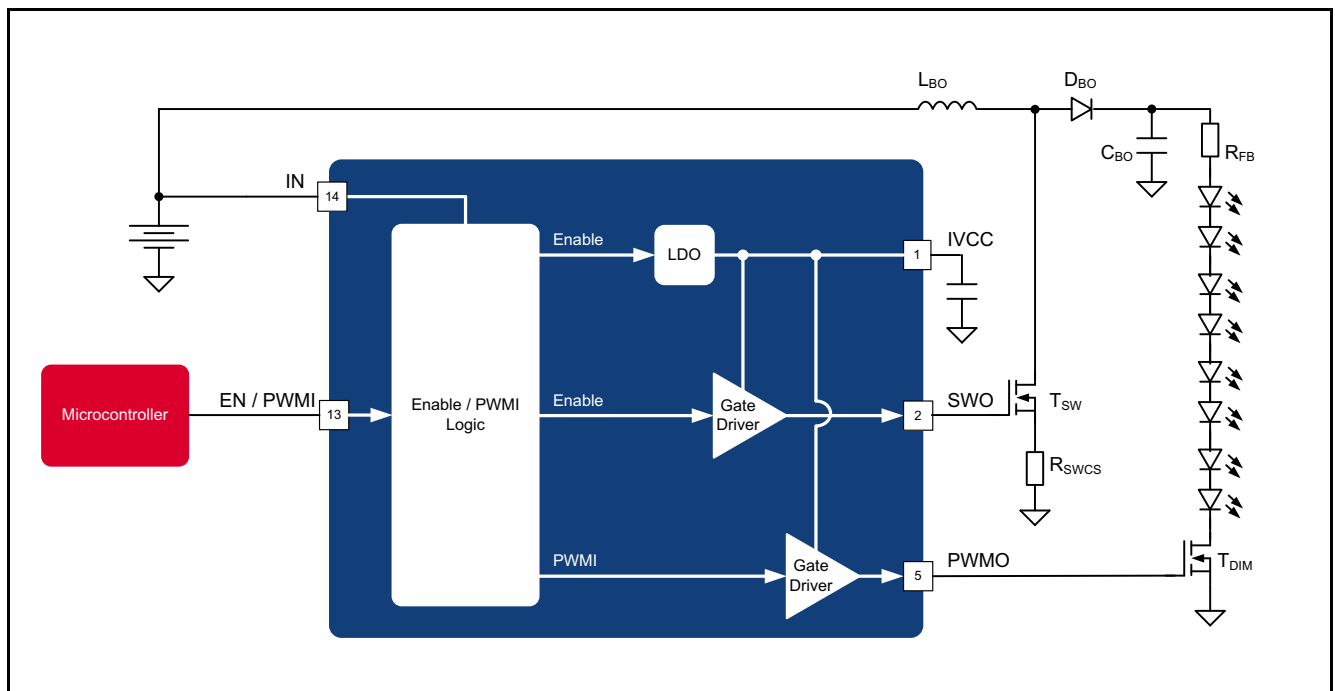


Figure 8 Block diagram and simplified application circuit enable and LED dimming



Enable and dimming function

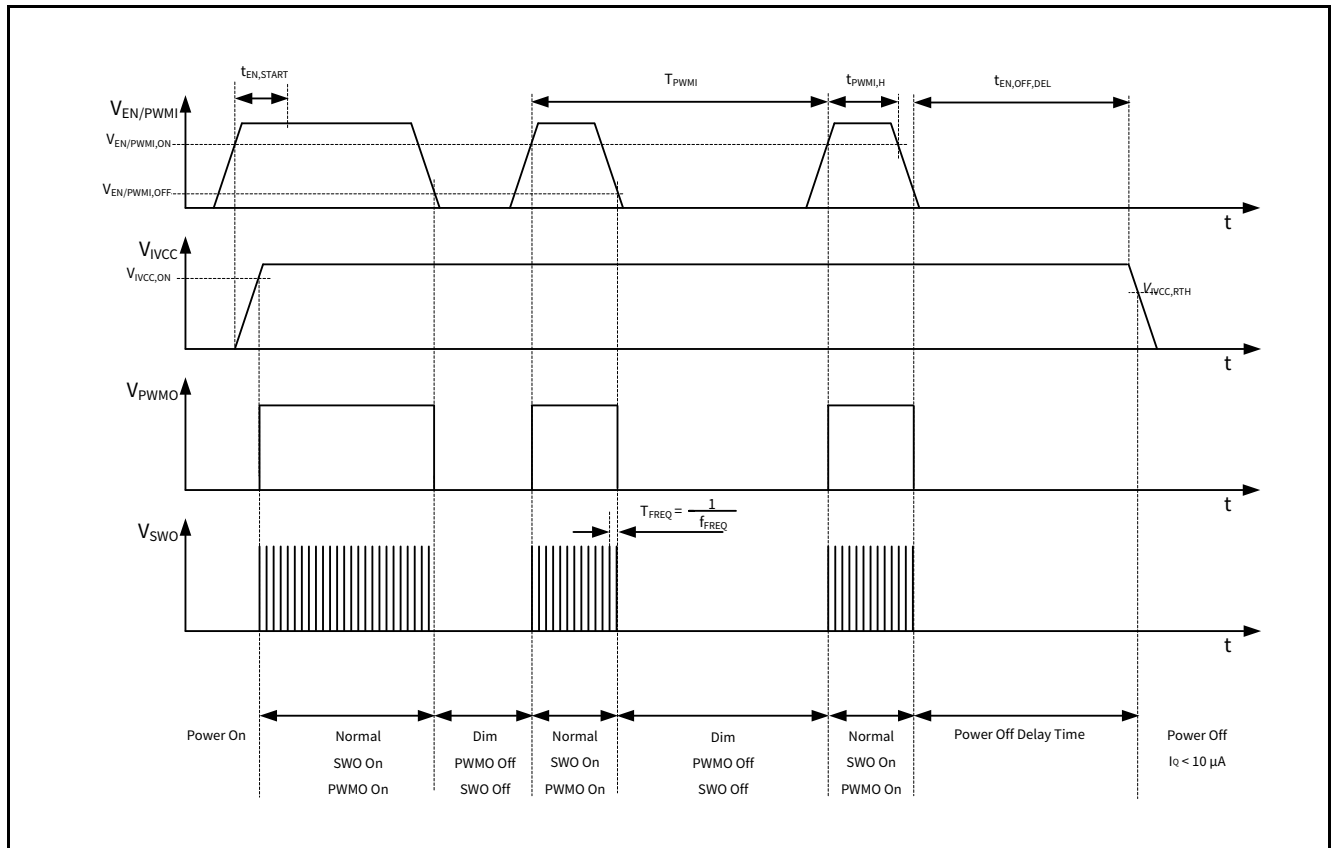


Figure 9 Timing diagram enable and LED dimming

7.2 Electrical characteristics

$V_{IN} = 8\text{ V to }34\text{ V}$ ,  $T_J = -40^\circ\text{C to }+150^\circ\text{C}$ , all voltages with respect to ground, positive current flowing into pin; (unless otherwise specified)

Table 8 Electrical characteristics: Enable and dimming

Parameter	Symbol	Values			Unit	Note or Test Condition	Number
		Min.	Typ.	Max.			
Enable/PWMI turn on threshold	$V_{EN/PWMI,ON}$	3.0	–		V	–	P_7.1.1
Enable/PWMI turn off threshold	$V_{EN/PWMI,OFF}$	–	–	0.8	V	–	P_7.1.2
Enable/PWMI hysteresis	$V_{EN/PWMI,HYS}$	50	200	400	mV	1)	P_7.1.3
Enable/PWMI high input current	$I_{EN/PWMI,H}$	–	–	30	$\mu\text{A}$	$V_{EN/PWMI} = 16.0\text{ V}$	P_7.1.4
Enable/PWMI low input current	$I_{EN/PWMI,L}$	–	0.1	1	$\mu\text{A}$	$V_{EN/PWMI} = 0.5\text{ V}$	P_7.1.5
Enable turn off delay time	$t_{EN,OFF,DEL}$	8	10	12	ms	–	P_7.1.6
PWMI min duty time	$t_{PWMI,H}$	4	–	–	$\mu\text{s}$	–	P_7.1.7
Enable startup time	$t_{EN,START}$	100	–	–	$\mu\text{s}$	1)	P_7.1.8

Enable and dimming function

**Table 8 Electrical characteristics: Enable and dimming**

Parameter	Symbol	Values			Unit	Note or Test Condition	Number
		Min.	Typ.	Max.			
<b>Gate driver for dimming Switch</b>							
PWMO gate driver peak sourcing current	$I_{P_{WMO, SRC}}$	–	230	–	mA	<sup>1)</sup> $V_{P_{WMO}} = 1\text{ V to }4\text{ V}$	P_7.1.9
PWMO gate driver peak sinking current	$I_{P_{WMO, SNK}}$	–	370	–	mA	<sup>1)</sup> $V_{P_{WMO}} = 4\text{ V to }1\text{ V}$	P_7.1.10
PWMO gate driver output rise time	$t_{R, P_{WMO}}$	–	50	100	ns	<sup>1)</sup> $C_{GATE} = 3.3\text{ nF};$ $V_{P_{WMO}} = 1\text{ V to }4\text{ V}$	P_7.1.11
PWMO gate driver output fall time	$t_{F, P_{WMO}}$	–	30	60	ns	<sup>1)</sup> $C_{GATE} = 3.3\text{ nF};$ $V_{P_{WMO}} = 4\text{ V to }1\text{ V}$	P_7.1.12
PWMO gate driver output voltage	$V_{P_{WMO}}$	4.5	–	5.5	V	<sup>1)</sup> $C_{GATE} = 3.3\text{ nF}$	P_7.1.13
<b>Current consumption</b>							
Current consumption, shutdown mode	$I_{Q\_OFF}$	–	–	10	μA	$V_{EN/PWMI} = 0.8\text{ V};$ $T_J \leq 105^\circ\text{C};$ $V_{IN} = 16\text{ V}$	P_7.1.14
Current consumption, active mode	$I_{Q\_ON}$	–	–	7	mA	<sup>2)</sup> $V_{EN/PWMI} \geq 4.75\text{ V};$ $I_{BO} = 0\text{ mA};$ $V_{SWO} = 0\%\text{ duty cycle}$	P_7.1.15

1) Not subject to production test, specified by design

2) Dependency on switching frequency and gate charge of external switches

## 8 Linear regulator

### 8.1 Description

The internal linear voltage regulator supplies the internal gate drivers with a typical voltage of 5 V and current up to  $I_{LIM,min}$  (P\_8.1.2). An external output capacitor with ESR lower than  $R_{IVCC,ESR}$  (P\_8.1.5) is required on pin IVCC for stability and buffering transient load currents. During normal operation the external MOSFET switches will draw transient currents from the linear regulator and its output capacitor. Proper sizing of the output capacitor must be considered to supply sufficient peak current to the gate of the external MOSFET switches.

#### Integrated undervoltage protection for the external switching MOSFET

An integrated undervoltage reset threshold circuit monitors the linear regulator output voltage ( $V_{IVCC}$ ) and resets the device in case the output voltage falls below the  $I_{VCC}$  undervoltage reset switch OFF threshold ( $V_{IVCC,RTH,d}$ ). The undervoltage reset threshold for the IVCC pin helps to protect the external switches from excessive power dissipation by ensuring the gate drive voltage is sufficient to enhance the gate of an external logic level n-channel MOSFET.

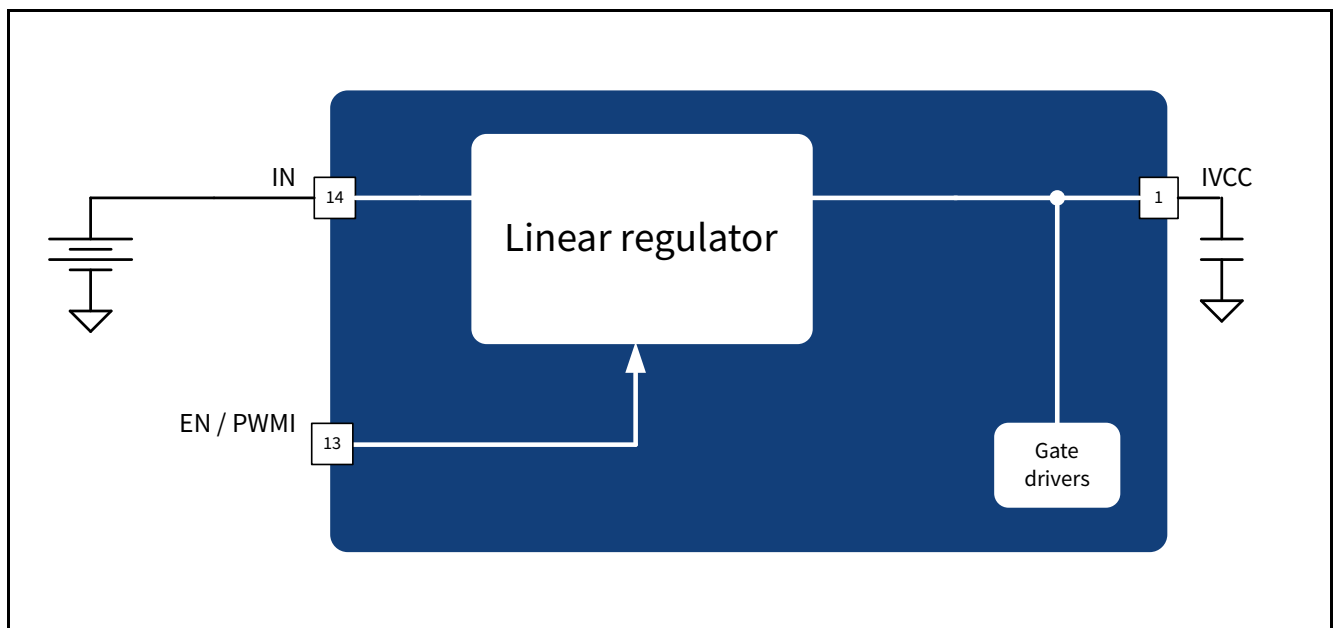


Figure 10 Voltage regulator block diagram and simplified application circuit

Linear regulator

## 8.2 Electrical characteristics

$V_{IN} = 8\text{ V to }34\text{ V}$ ,  $T_J = -40^\circ\text{C to }+150^\circ\text{C}$ , all voltages with respect to ground, positive current flowing into pin; (unless otherwise specified)

**Table 9 Electrical characteristics: Line regulator**

Parameter	Symbol	Values			Unit	Note or Test Condition	Number
		Min.	Typ.	Max.			
Output voltage	$V_{IVCC}$	4.85	5	5.15	V	$6\text{ V} \leq V_{IN} \leq 45\text{ V}$ $0.1\text{ mA} \leq I_{IVCC} \leq 40\text{ mA}$	P_8.1.1
Output current limitation	$I_{LIM}$	51	–	90	mA	$V_{IN} = 13.5\text{ V}$ $V_{IVCC} = 4.5\text{ V}$	P_8.1.2
Drop out voltage	$V_{DR}$	–	–	0.5	V	$V_{IN} = 4.5\text{ V}$ $I_{IVCC} = 25\text{ mA}$	P_8.1.3
IVCC buffer capacitor	$C_{IVCC}$	0.47	1	100	$\mu\text{F}$	<sup>1)2)</sup>	P_8.1.4
IVCC buffer capacitor ESR	$R_{IVCC, ESR}$	–	–	0.5	$\Omega$	<sup>1)</sup>	P_8.1.5
Undervoltage reset headroom	$V_{IVCC, HDRM}$	100	–	–	mV	$V_{IVCC}$ decreasing $V_{IVCC} - V_{IVCC, RTH, d}$	P_8.1.6
IVCC undervoltage reset switch-off threshold	$V_{IVCC, RTH, d}$	3.6	–	4.0	V	<sup>3)</sup> $V_{IVCC}$ decreasing	P_8.1.7
IVCC undervoltage reset switch-on threshold	$V_{IVCC, RTH, i}$	–	–	4.5	V	$V_{IVCC}$ increasing	P_8.1.8

- 1) Not subject to production test, specified by design
- 2) Minimum value given is needed for regulator stability; application might need higher capacitance than the minimum.
- 3) Selection of external switching MOSFET is crucial and the  $V_{IVCC, RTH, d, min}$  as worst case the threshold voltage of MOSFET must be considered.

## 9 Protection and diagnostic functions

### 9.1 Description

The TLD5098EL has integrated circuits to diagnose and protect against output overvoltage, open load, open feedback and overtemperature faults. Additionally the FBH and FBL potential is monitored and in case the LED load short circuits to GND (see description [Figure 16](#)) the regulator stops the operation and protects the system. In case any of the six fault conditions occur the PWM0 and IVCC signal will change to an active logic “low” signal to communicate that a fault has occurred (detailed overview in [Figure 11](#) and [Figure 12](#) below). [Figure 12](#) illustrates the various open load and open feedback conditions. In case of an overtemperature condition the integrated thermal shutdown function turns off the gate drivers and internal linear voltage regulator. The typical junction shutdown temperature is 175°C ( $T_{J,SD}$  P\_9.2.2). After cooling down the IC will automatically restart. Thermal shutdown is an integrated protection function designed to prevent IC destruction and is not intended for continuous use in normal operation ([Figure 14](#)). To calculate the proper overvoltage protection resistor values an example is given in [Figure 15](#).

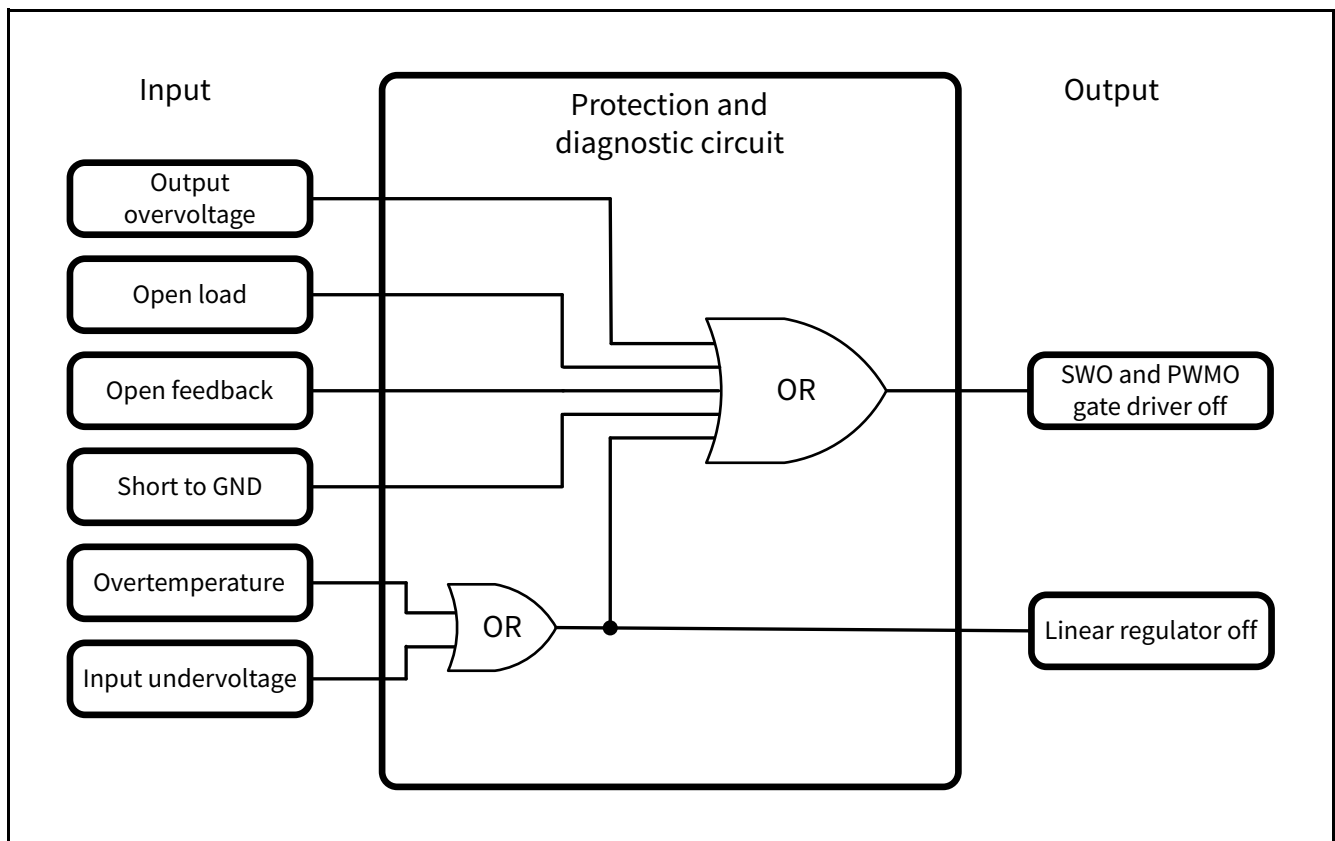


Figure 11 Protection and diagnostic function block diagram

Protection and diagnostic functions

Table 10 Diagnosis truth table<sup>1)</sup>

Input		Output		
Condition	Level	SWO	PWMO	IVCC
Overvoltage at output	False	Sw	High or Sw	Active
	True	Low	Low	Active
Open load	False	Sw	High or Sw	Active
	True	Low	Low	Active
Open feedback	False	Sw	High or Sw	Active
	True	Low	Low	Active
Short to GND at LED chain	False	Sw	High or Sw	Active
	True	Low	Low	Active
Overtemperature	False	Sw	High or Sw	Active
	True	Low	Low	Shutdown
Undervoltage at input	False	Sw	High or Sw	Active
	True	Low	Low	Shutdown

1) Sw = Switching; False = Condition does NOT exist; True = Condition does exist

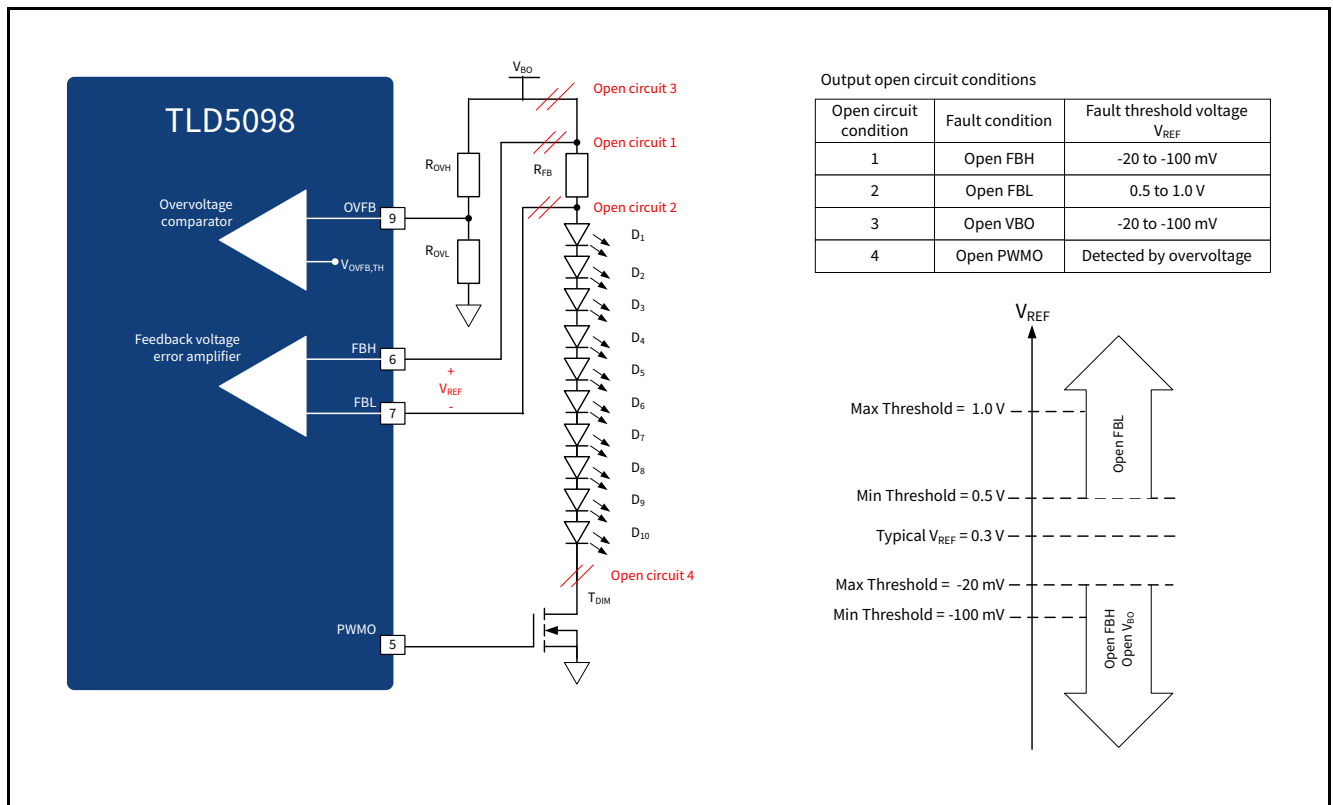


Figure 12 Open load and open feedback conditions

Protection and diagnostic functions

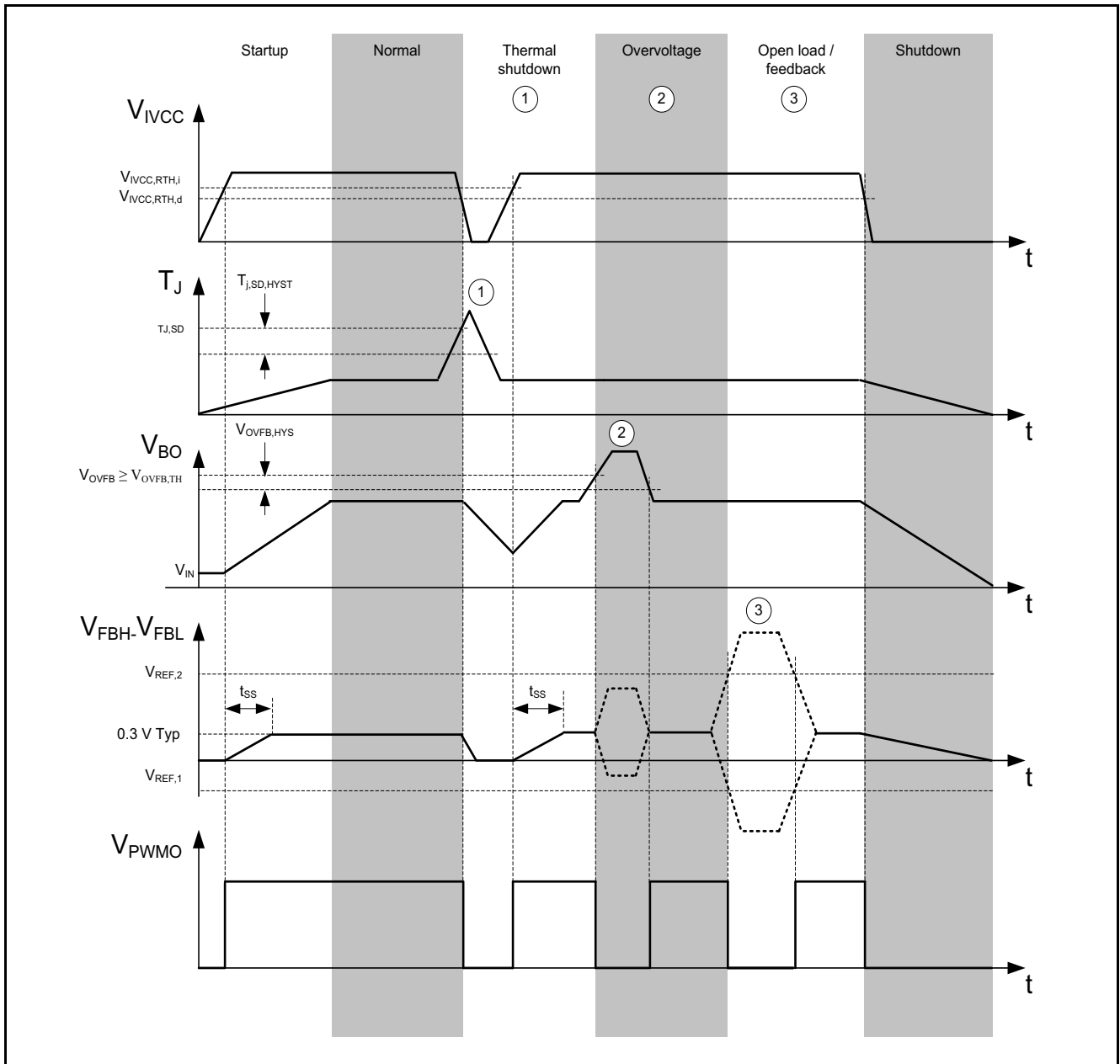


Figure 13 Open load, overvoltage and overtemperature timing diagram

Protection and diagnostic functions

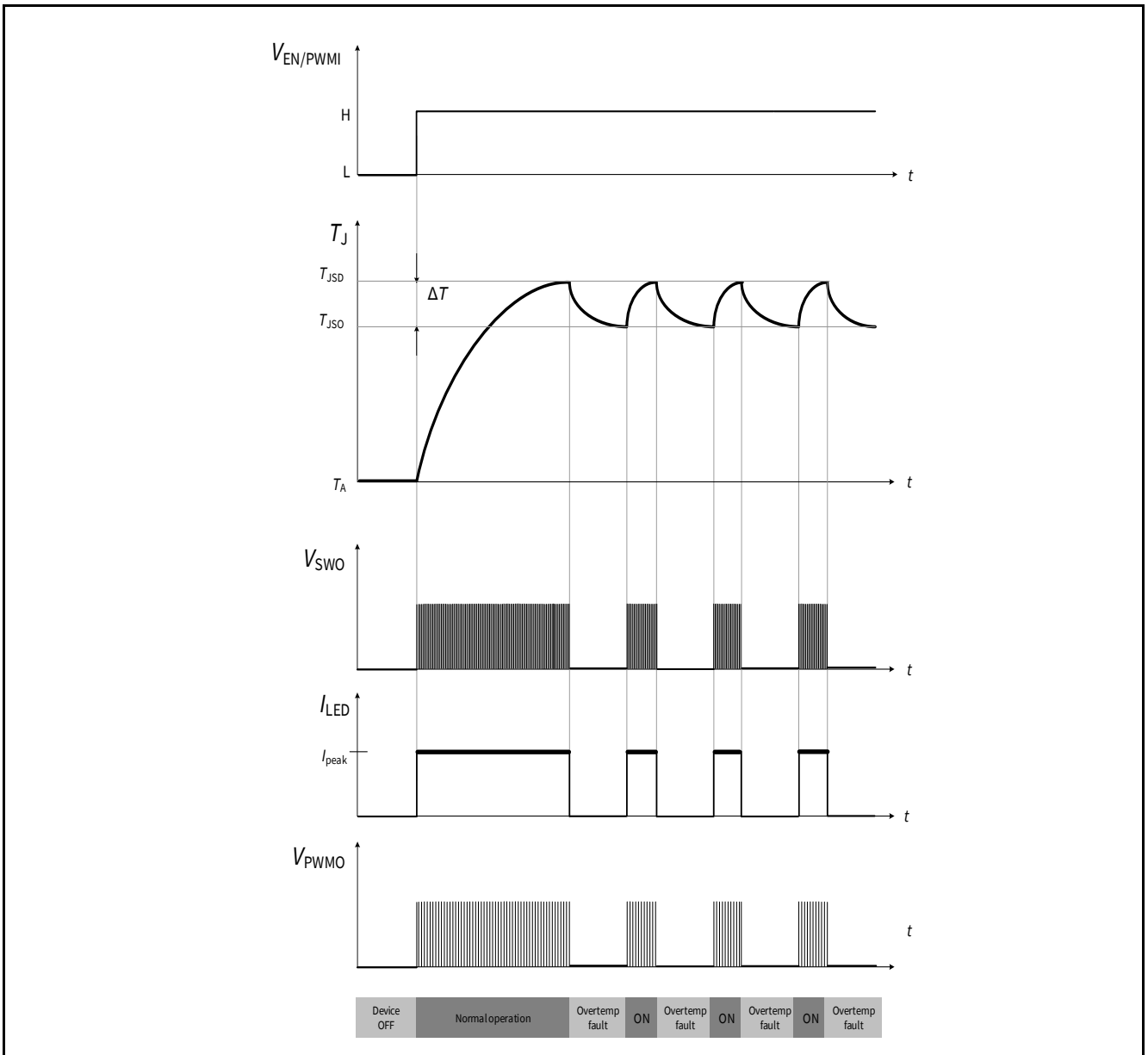


Figure 14 Device overtemperature protection behavior

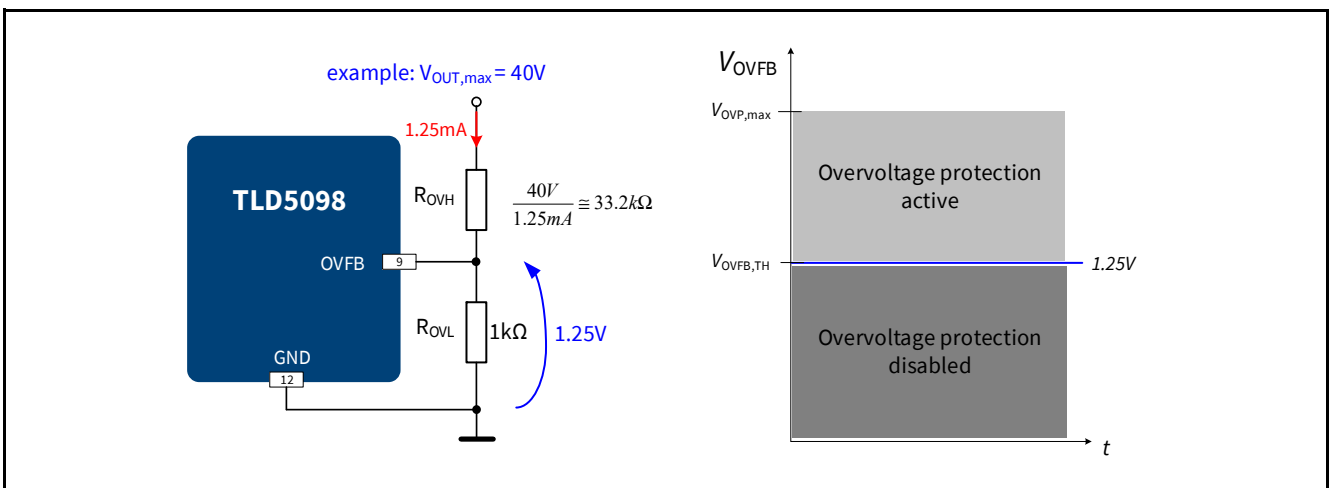


Figure 15 Overvoltage protection description



Protection and diagnostic functions

Short to GND protection for high-side return applications (B2B) from Figure 26

The FBH and FBL pins features a short to GND detection threshold ( $V_{FBL, FBH}$ ,  $F_{BH\_S2G}$ ). If the potential on these pins is below this threshold the device stops its operation. This means that the PWM0 signal changes to inactive state (low potential) and the corresponding p-channel ( $T_{DIM2}$ ) is switched off accordingly and protects the LED chain. For the B2B application some external components are needed to ensure a low potential during a short circuit event. D1 and D2 are low power diodes (eg. BAS16-03W) and the resistor  $R_{lim}$  ( eg. 10 k $\Omega$ ) is needed to limit the current through this path. The diode D3 should be a high power diode and is needed to protect the  $R_{FB}$  and the FBH and FBL pins in case of an short circuit to GND event. This short circuit detection and protection concept considers potential faults for LED chains (LED modules) which are separated from the ECU via two wires (at the beginning and at the end of the LED chain). If the short circuit condition disappears, the device will re-start with a soft start.

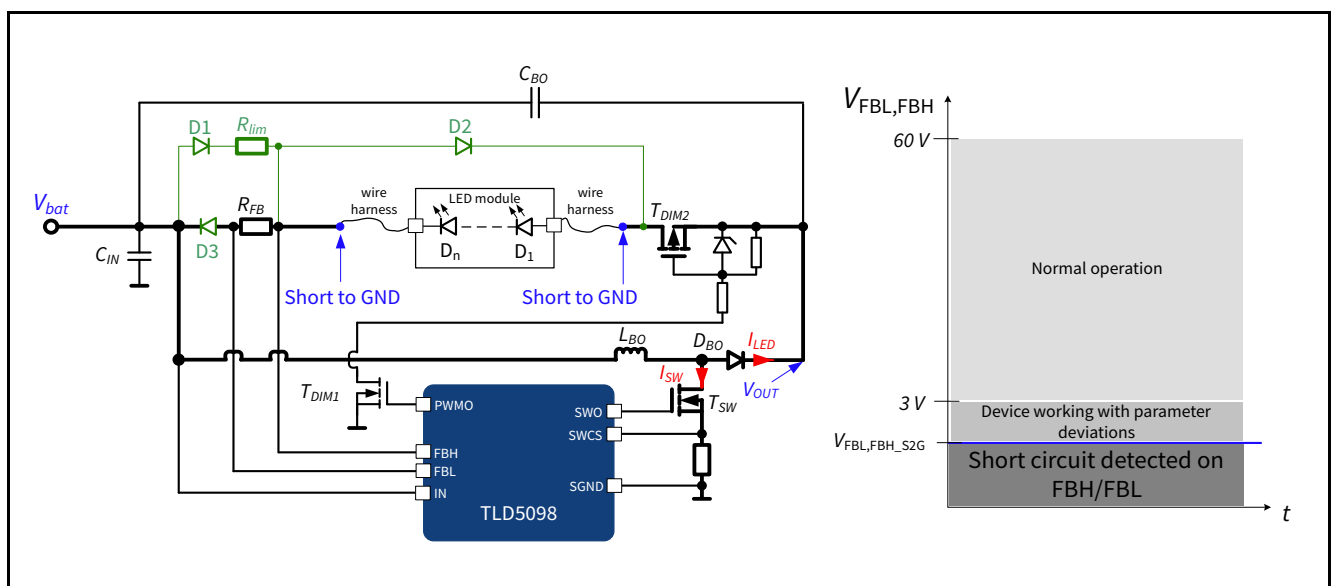


Figure 16 Short circuit to GND protection

Protection and diagnostic functions

9.2 Electrical characteristics

$V_{IN} = 8\text{ V to }34\text{ V}$ ,  $T_J = -40^\circ\text{C to }+150^\circ\text{C}$ , all voltages with respect to ground, positive current flowing into pin; (unless otherwise specified)

**Table 11 Electrical characteristics: Protection and diagnosis**

Parameter	Symbol	Values			Unit	Note or Test Condition	Number
		Min.	Typ.	Max.			
<b>Short circuit protection</b>							
FBH and FBL short-circuit fault sensing common mode range	$V_{FBL,FBH\_S2G}$	1.5	–	2	V	refer to <b>Figure 16</b> $V_{FBH} = V_{FBL}$ decreasing	P_9.2.1
<b>Temperature protection</b>							
Overtemperature shutdown	$T_{J,SD}$	160	175	190	°C	<sup>1)</sup> refer to <b>Figure 14</b>	P_9.2.2
Overtemperature shutdown hystereses	$T_{J,SD,HYST}$	–	15	–	°C	<sup>1)</sup>	P_9.2.3
<b>Overvoltage protection</b>							
Output overvoltage feedback threshold increasing	$V_{OVFB,TH}$	1.21	1.25	1.29	V	refer to <b>Figure 15</b>	P_9.2.4
Output overvoltage feedback hysteresis	$V_{OVFB,HYS}$	50	–	150	mV	<sup>1)</sup> Output Voltage decreasing	P_9.2.5
Overvoltage reaction time	$t_{OVPRR}$	2	–	10	µs	Output Voltage increasing	P_9.2.6
Overvoltage feedback input current	$I_{OVFB}$	-1	0.1	1	µA	$V_{OVFB} = 1.25\text{ V}$	P_9.2.7
<b>Open load and open feedback diagnostics</b>							
Open load/feedback threshold	$V_{REF,1,3}$	-100	–	-20	mV	refer to <b>Figure 12</b> $V_{REF} = V_{FBH} - V_{FBL}$ Open circuit 1 or 3	P_9.2.8
Open feedback threshold	$V_{REF,2}$	0.5	–	1	V	$V_{REF} = V_{FBH} - V_{FBL}$ Open circuit 2	P_9.2.9

1) Specified by design; not subject to production test

*Note: Integrated protection functions are designed to prevent IC destruction under fault conditions described in the data sheet. Fault conditions are considered as “outside” normal operating range. Protection functions are not designed for continuous repetitive operation.*

## 10 Analog dimming

This pin influences the “feedback voltage error amplifier” by generating an internal current accordingly to an external reference voltage ( $V_{SET}$ ). If the analog dimming feature is not needed this pin must be connected to IVCC or external > 1.6 V supply. Different application scenarios are described in [Figure 19](#). This pin can also go outside of the ECU for instance if a thermistor is connected on a separated LED module and the “Analog dimming input” is used to thermally protect the LEDs. For reverse battery protection of this pin an external series resistor should be placed to limit the current.

### 10.1 Purpose of analog dimming

1. It is difficult for LED manufacturers to deliver LEDs which have the same brightness, colorpoint and forward voltage class. Due to this relatively wide spread of the crucial LED parameters automotive customers order LEDs from one or maximum two different colorpoint classes. The LED manufacturer must preselect the LEDs to deliver the requested colorpoint class. These preselected LEDs are matched in terms of the colorpoint but a variation of the brightness remains. To correct the brightness deviation an analog dimming feature is needed. The mean LED current can be adjusted by applying an external voltage  $V_{SET}$  at the SET pin.
2. If the DC/DC application is separated from the LED loads the ECU manufacturers aim is to develop one hardware which should be able to handle different load current conditions (e.g. 80 mA to 400 mA) to cover different applications. To achieve this average LED current adjustment the analog dimming is a crucial feature.

### 10.2 Description

#### Application example

Desired LED current = 400 mA. For the calculation of the correct feedback resistor  $R_{FB}$  the following equation can be used: This formula is valid if the analog dimming feature is disabled and  $V_{SET} > 1.6$  V.

(10.1)

$$I_{LED} = \frac{V_{REF}}{R_{FB}} \rightarrow R_{FB} = \frac{V_{REF}}{I_{LED}} \rightarrow R_{FB} = \frac{0.3V}{400mA} = 750m\Omega$$

Related electrical parameter is guaranteed with  $V_{SET} = 5$  V ([P\\_5.2.1](#)) A decrease of the average LED current can be achieved by controlling the voltage at the SET pin ( $V_{SET}$ ) between 0.1 V and 1.6 V. The mathematical relation is given in the formula below:

(10.2)

$$I_{LED} = \frac{V_{SET} - 0.1V}{5 \cdot R_{FB}}$$

Refer to the concept drawing in [Figure 18](#).

Analog dimming

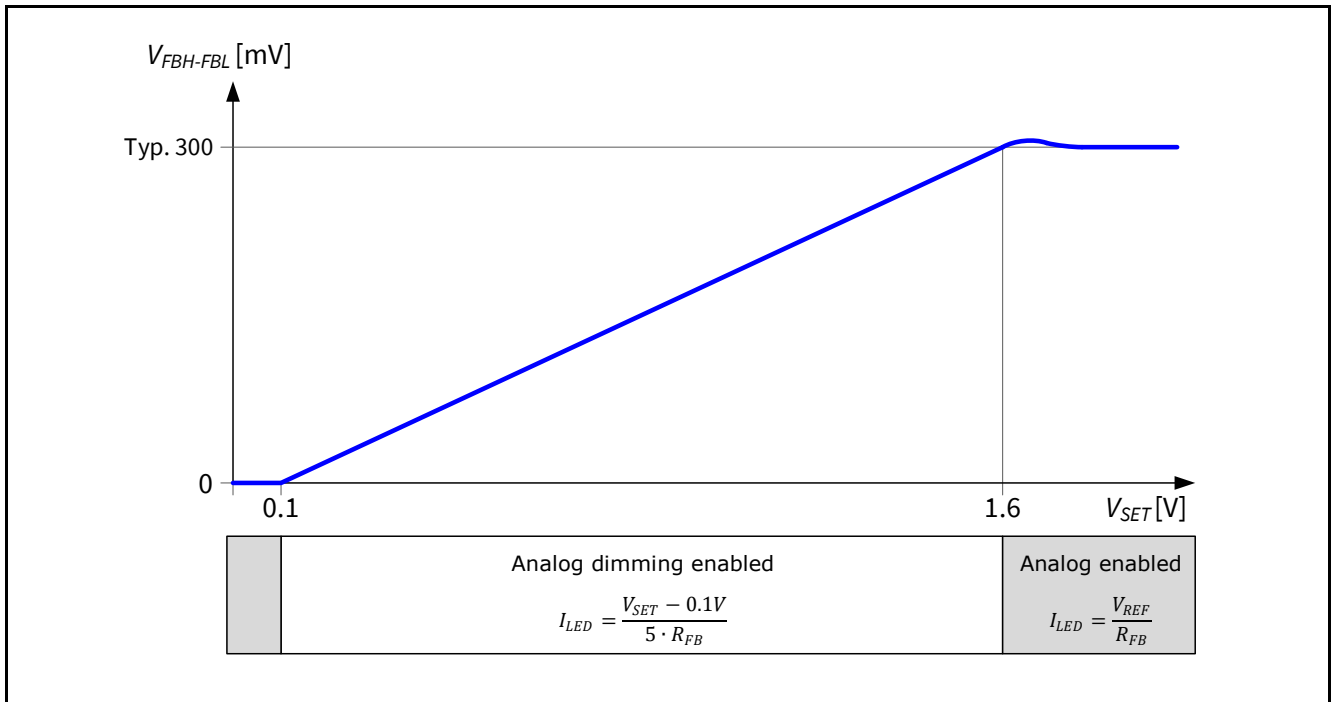


Figure 17 Basic relationship between  $V_{REF}$  and  $V_{SET}$  voltage

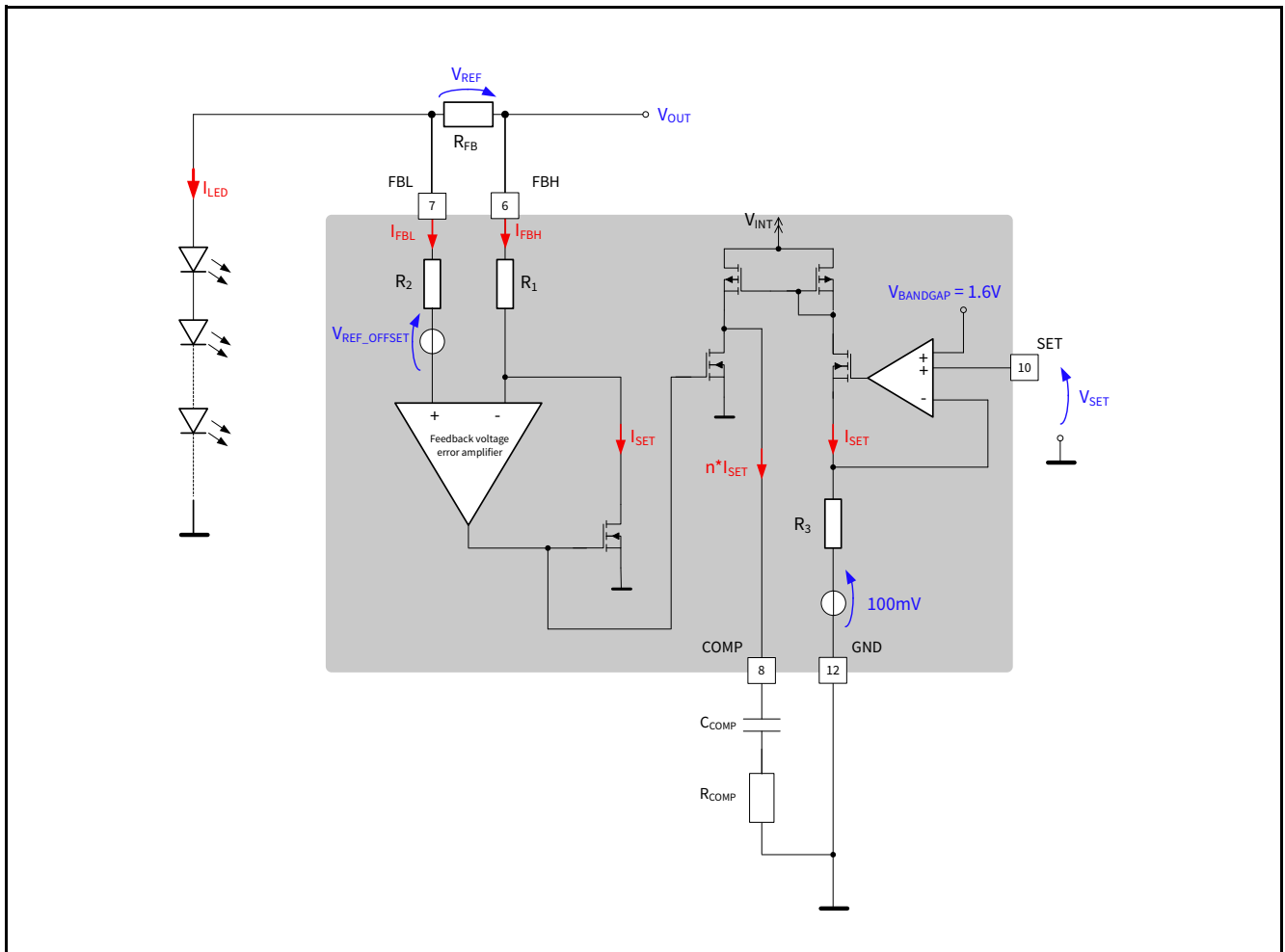


Figure 18 Concept drawing analog dimming

---

## Analog dimming

### Multi-purpose usage of the analog dimming feature

1. A  $\mu\text{C}$  integrated digital analog converter (DAC) output or a stand alone DAC can be used to supply the SET pin of the TLD5098EL. The integrated voltage regulator ( $V_{\text{VCC}}$ ) can be used to supply the  $\mu\text{C}$  or external components if the current consumption does not exceed 20 mA.
2. The analog dimming feature is directly connected to the input voltage of the system. In this configuration the LED current is reduced if the input voltage  $V_{\text{IN}}$  is decreasing. The DC/DC boost converter is changing (increasing) the switching duty cycle if  $V_{\text{IN}}$  drops to a lower potential. This causes an increase of the input current consumption. If applications require a decrease of the LED current in respect to  $V_{\text{IN}}$  variations this setup can be chosen.
3. The usage of an external resistor divider connected between  $I_{\text{VCC}}$  (integrated 5 V regulator output and gate buffer pin) SET and GND can be chosen for systems without  $\mu\text{C}$  on board. The concept allows to control the LED current via placing cheap low power resistors. Furthermore a temperature sensitive resistor (Thermistor) to protect the LED loads from thermal destruction can be connected additionally.
4. If the analog dimming feature is not needed the SET pin must be connected directly to  $> 1.6\text{ V}$  potential (e.g.  $I_{\text{VCC}}$  potential)
5. Instead of a DAC the  $\mu\text{C}$  can provide a PWM signal and an external R-C filter produces a constant voltage for the analog dimming. The voltage level depends on the PWM frequency ( $f_{\text{PWM}}$ ) and duty cycle (DC) which can be controlled by the  $\mu\text{C}$  software after reading the coding resistor placed at the LED module.

Analog dimming

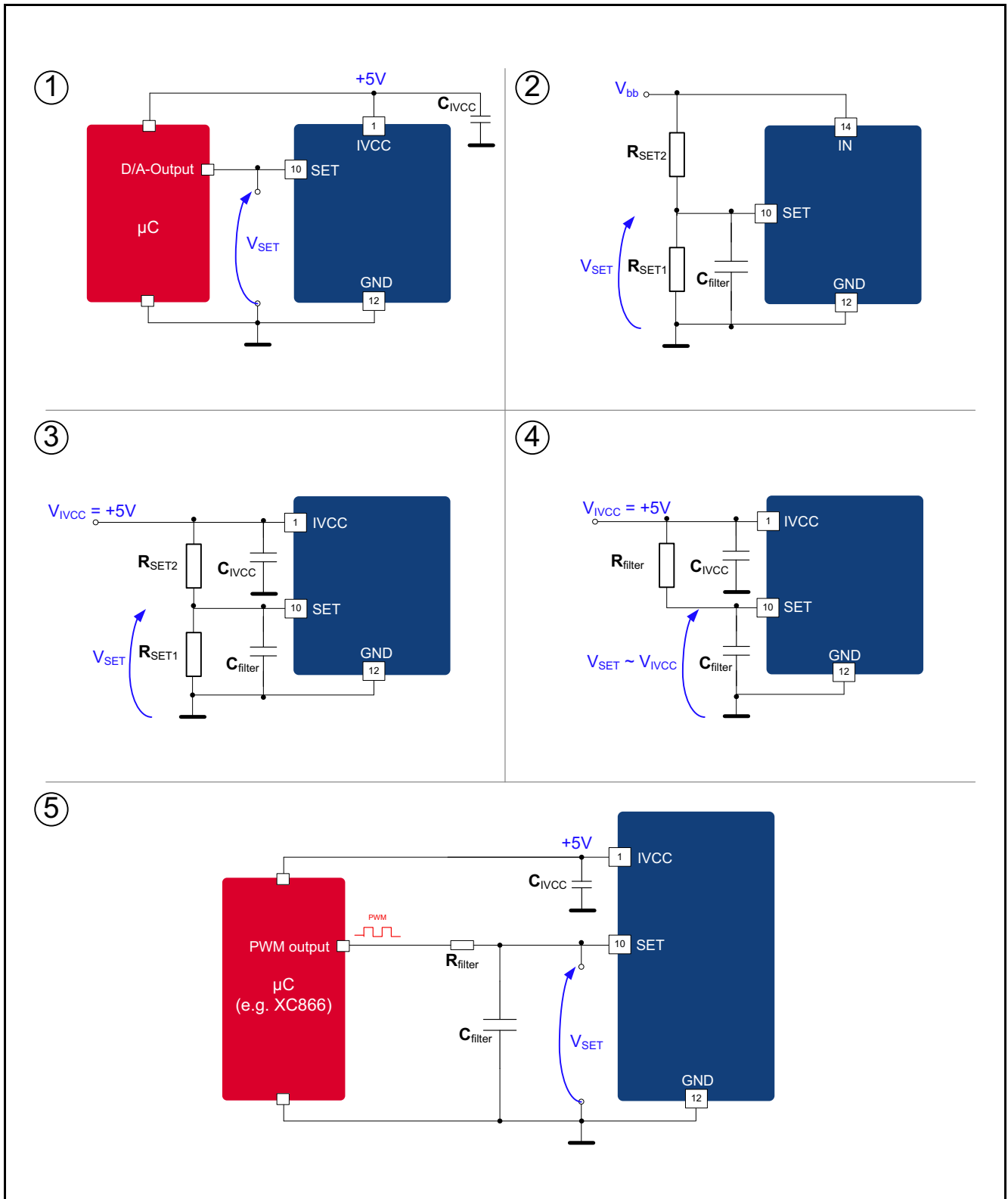


Figure 19 Analog dimming in various applications

**Analog dimming**

**10.3 Electrical characteristics**

$V_{IN} = 8\text{ V to }34\text{ V}$ ,  $T_J = -40^\circ\text{C to }+150^\circ\text{C}$ , all voltages with respect to ground, positive current flowing into pin; (unless otherwise specified)

**Table 12 Electrical characteristics: Protection and diagnosis**

Parameter	Symbol	Values			Unit	Note or Test Condition	Number
		Min.	Typ.	Max.			
SET programming range	$V_{SET}$	0	–	1.6	V	<sup>1)</sup> refer to <b>Figure 17</b>	P_10.3.1

1) Specified by design; not subject to production test.

Application information

# 11 Application information

Note: The following information is given as a hint for the implementation of the device only and shall not be regarded as a description or warranty of a certain functionality, condition or quality of the device.

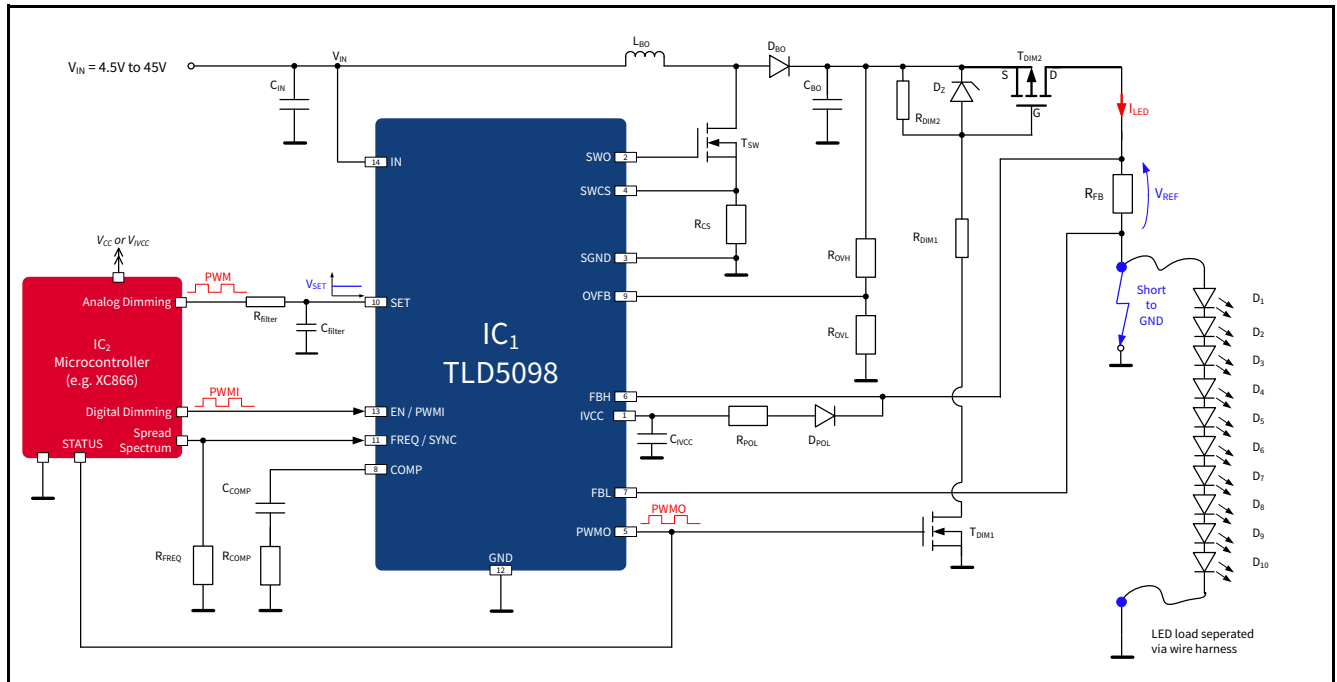


Figure 20 Boost to Ground application circuit - B2G (Boost configuration)

Reference Designator	Value	Manufacturer	Part Number	Type	Quantity
D <sub>1</sub> - 10	White	Osram	LUW H9GP	LED	10
D <sub>BO</sub>	Schottky, 3 A, 100 V <sub>R</sub>	Vishay	SS3H10	Diode	1
D <sub>Z</sub>	5V or 10V	Vishay	ZENER	Diode	1
D <sub>POL</sub>	80V Diode	Infineon	BAS1603W	Diode	1
C <sub>IN</sub> , C <sub>BO</sub>	100 uF, 50V	Panasonic	EEEFK1H101GP	Capacitor	2
C <sub>COMP</sub>	10 nF	EPCOS	X7R	Capacitor	1
C <sub>IVCC</sub>	1uF, 6.3V	EPCOS	MLCC C0NPZC105KBW X7R	Capacitor	1
IC <sub>1</sub>	--	Infineon	TLD5098	IC	1
IC <sub>2</sub>	--	Infineon	XC866	IC	1
L <sub>BO</sub>	100 uH	Coilcraft	MSS1278T-104ML	Inductor	1
R <sub>DIM1+2</sub> , R <sub>COMP</sub> , R <sub>POL</sub>	10 kΩ, 1%	Panasonic	ERJ3EKF 1002V	Resistor	4
R <sub>FB</sub>	820 mΩ, 1%	Panasonic	ERJ14BQFR82U	Resistor	1
R <sub>FREQ</sub>	20 kΩ, 1%	Panasonic	ERJ3EKF2002V	Resistor	1
R <sub>OVH</sub>	33.2 kΩ, 1%	Panasonic	ERJ3EKF3322V	Resistor	1
R <sub>OVL</sub>	1 kΩ, 1%	Panasonic	ERJ3EKF1001V	Resistor	1
R <sub>CS</sub>	50 mΩ, 1%	Panasonic	ERJB1CFR05U	Resistor	1
T <sub>SW</sub>	100V N-ch, 35A	Infineon	IPG20N10S4L-22	Transistor	1
T <sub>DIM1</sub> , T <sub>DIM2</sub>	60V Dual N-ch (3.1A) and P-ch. enh. (2A)	Infineon	BSO615CG	Transistor	1
	alternativ: 100V N-ch (0.37A),	Infineon	BSP123	Transistor	1
	alternativ: 60V P-ch (1.9A)	Infineon	BSP171P	Transistor	1

Figure 21 Bill of Materials for B2G application circuit



Application information

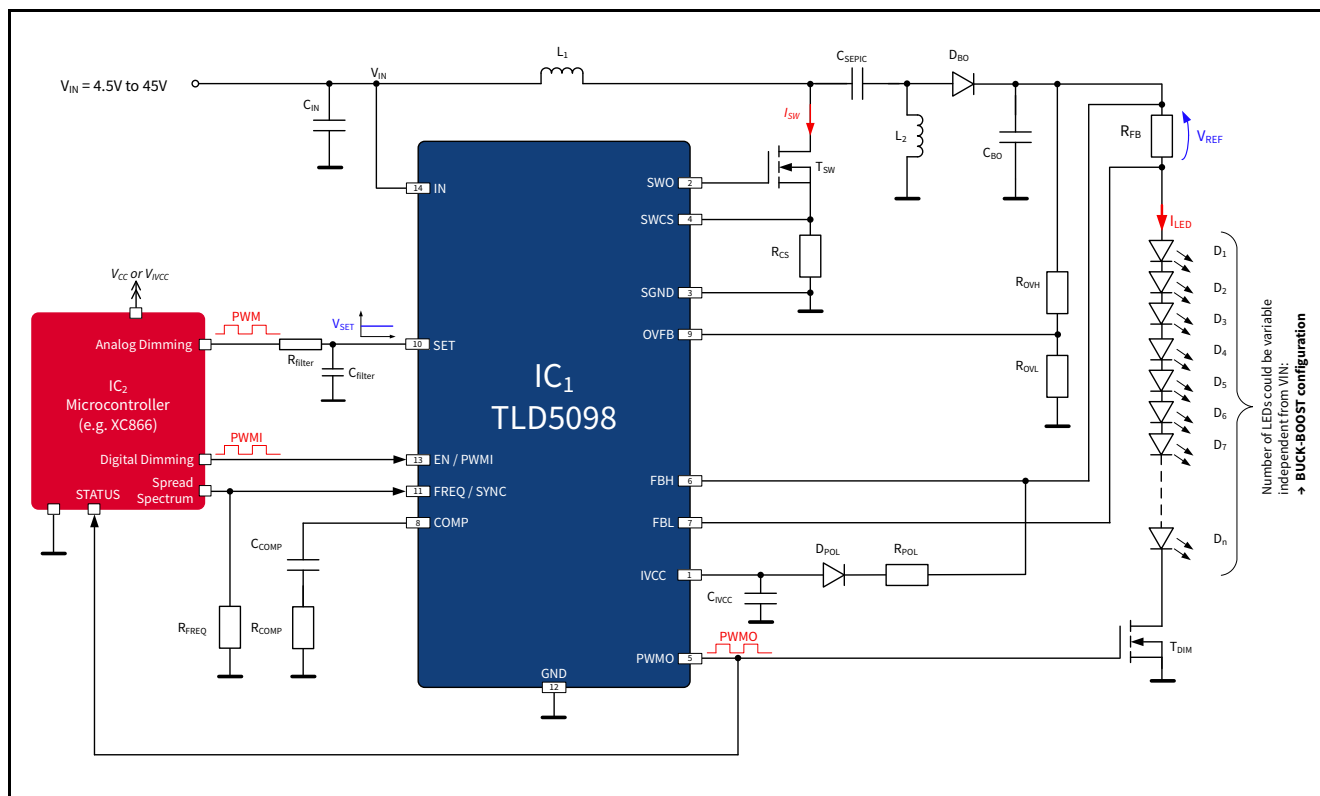


Figure 22 SEPIC application circuit (Buck - Boost configuration)

Reference Designator	Value	Manufacturer	Part Number	Type	Quantity
D <sub>1 - n</sub>	White	Osram	LUW H9GP	LED	variable
D <sub>BO</sub>	Schottky, 3 A, 100 V <sub>R</sub>	Vishay	SS3H10	Diode	1
D <sub>POL</sub>	80V Diode	Infineon	BAS1603W	Diode	1
C <sub>SEPIC</sub>	3.3 uF, 20V	EPCOS	X7R, Low ESR	Capacitor	1
C <sub>IN</sub> , C <sub>BO</sub>	100 uF, 50V	Panasonic	EEEFK1H101GP	Capacitor	2
C <sub>COMP</sub>	10 nF	EPCOS	X7R	Capacitor	1
C <sub>IVCC</sub>	1uF, 6.3V	EPCOS	X7R	Capacitor	1
IC <sub>1</sub>	--	Infineon	TLD5098	IC	1
IC <sub>2</sub>	--	Infineon	XC866	IC	1
L <sub>1</sub> , L <sub>2</sub>	47 uH	Coilcraft	MSS1278T-473ML	Inductor	2
	alternativ: 22uH coupled inductor	Coilcraft	MSD1278-223MLD	Inductor	1
R <sub>COMP</sub> , R <sub>POL</sub>	10 kΩ, 1%	Panasonic	ERJ3EKF1002V	Resistor	2
R <sub>FB</sub>	820 mΩ, 1%	Panasonic	ERJ14BQFR82U	Resistor	1
R <sub>FREQ</sub>	20 kΩ, 1%	Panasonic	ERJ3EKF2002V	Resistor	1
R <sub>OVH</sub>	33.2 kΩ, 1%	Panasonic	ERJ3EKF3322V	Resistor	1
R <sub>OVL</sub>	1 kΩ, 1%	Panasonic	ERJ3EKF1001V	Resistor	1
R <sub>CS</sub>	50 mΩ, 1%	Panasonic	ERJB1CFR05U	Resistor	1
T <sub>DIM</sub> , T <sub>SW</sub>	Dual N-ch enh. (60V, 20A)	Infineon	IPG20N06S4L-26	Transistor	1
	alternativ: 100V N-ch, 35A	Infineon	IPD35N10S3L-26	Transistor	2
	alternativ: 60V N-ch, 2.6A	Infineon	BSP318S	Transistor	2

Figure 23 Bill of Materials for SEPIC application circuit

Application information

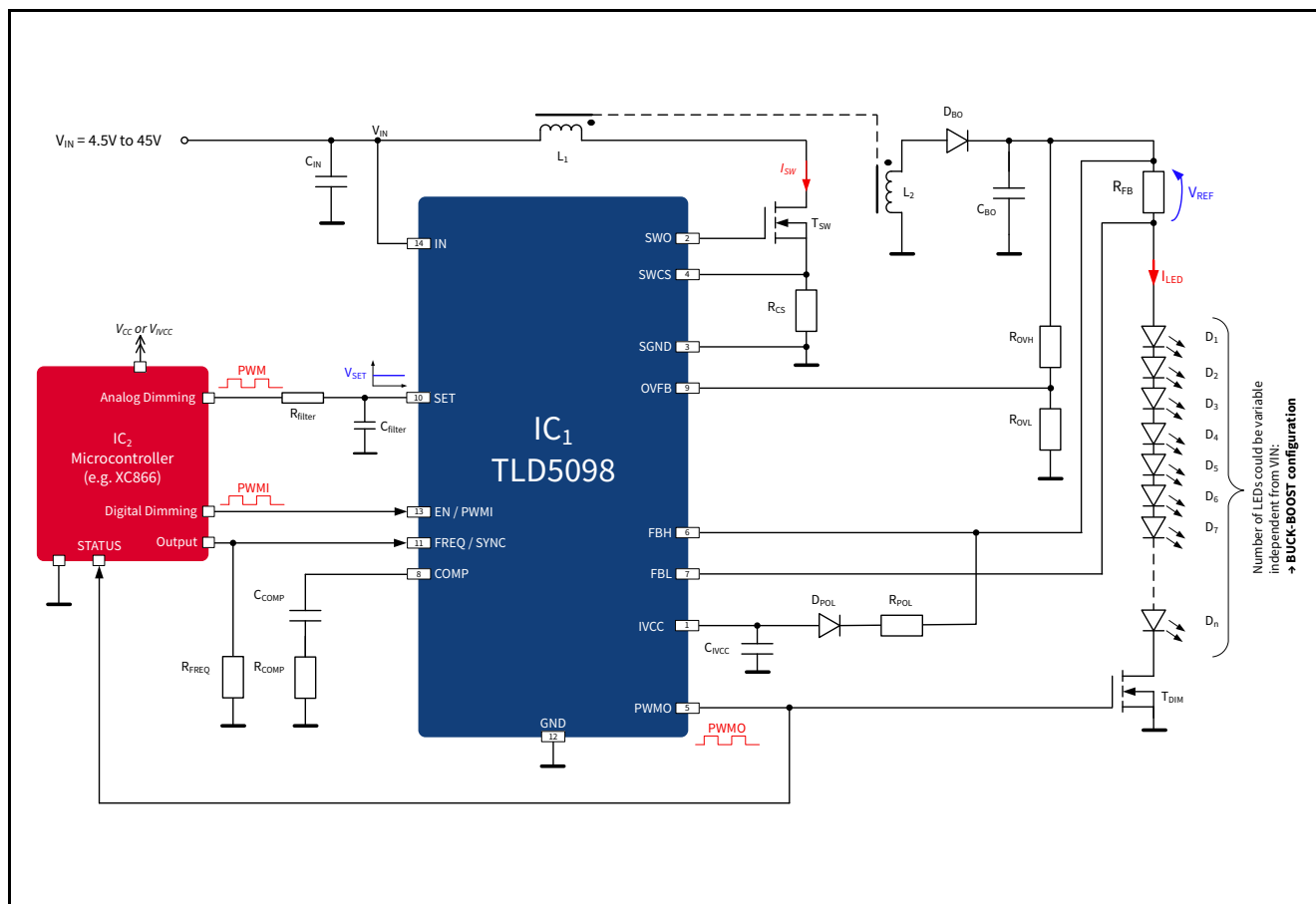


Figure 24 Flyback application circuit (Buck - Boost configuration)

Reference Designator	Value	Manufacturer	Part Number	Type	Quantity
D <sub>1 - n</sub>	White	Osram	LUW H9GP	LED	variable
D <sub>BO</sub>	Schottky, 3 A, 100 V <sub>R</sub>	Vishay	SS3H10	Diode	1
C <sub>BO</sub>	3.3 uF, 50V (100V)	EPCOS	X7R, Low ESR	Capacitor	1
C <sub>IN</sub>	100 uF, 50V	Panasonic	EEEFK1H101GP	Capacitor	1
C <sub>COMP</sub>	47 nF	EPCOS	X7R	Capacitor	1
C <sub>IVCC</sub>	1 uF, 6.3V	EPCOS	X7R	Capacitor	1
IC <sub>1</sub>	--	Infineon	TLD 5098	IC	1
IC <sub>2</sub>	--	Infineon	XC866	IC	1
L <sub>1</sub> , L <sub>2</sub>	1 μH / 9 uH	EPCOS	Transformer EHP 16	Inductor	1
R <sub>COMP</sub> , R <sub>POL</sub>	10 kΩ, 1%	Panasonic	ERJ3EKF 1002V	Resistor	2
D <sub>POL</sub>	80 V Diode	Infineon	BAS 1603W	Diode	1
R <sub>FB</sub>	820 mΩ, 1%	Isabellenhütte	SMS – Power Resistor	Resistor	1
R <sub>RFREQ</sub>	10 kΩ, 1%	Panasonic	ERJ3EKF 1002V	Resistor	1
R <sub>OVH</sub>	56.2 kΩ, 1%	Panasonic	ERJ3EKF 5622V	Resistor	1
R <sub>OVL</sub>	1.24 kΩ, 1%	Panasonic	ERJ3EKF 1241V	Resistor	1
R <sub>CS</sub>	5 mΩ, 1%	Isabellenhütte	SMS - Power Resistor	Resistor	1
T <sub>DIM</sub> , T <sub>SW</sub>	Dual N-ch enh. (60V, 20A)	Infineon	IPG20N06S4L-26	Transistor	1
	alternativ: 100V N-ch, 35A	Infineon	IPG20N10S4L-22	Transistor	2
	alternativ : 60V N-ch, 2.6A	Infineon	BSP318S	Transistor	2

Figure 25 Bill of Materials for Flyback application circuit

Application information

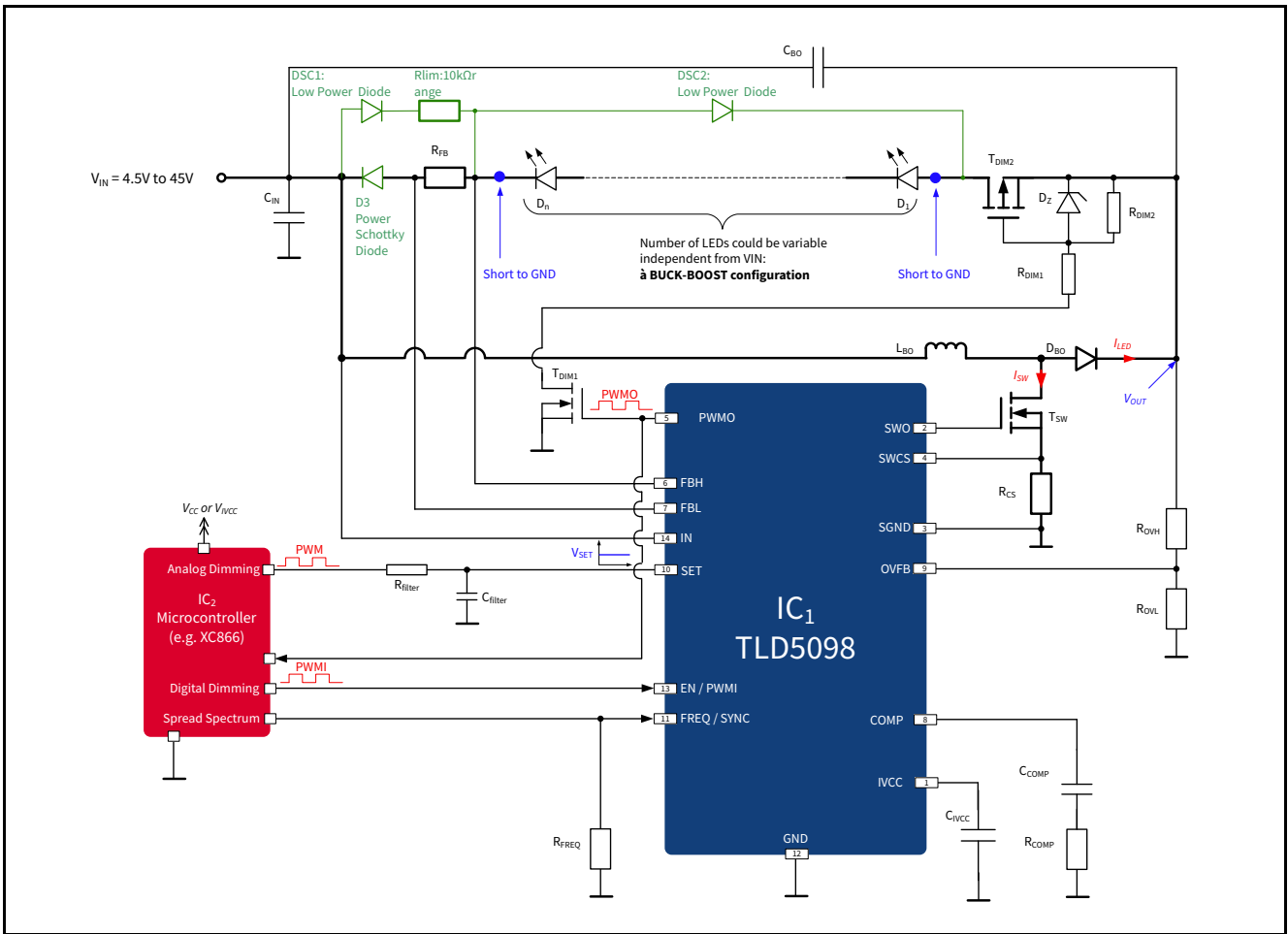


Figure 26 Boost to Battery application circuit - B2B (Buck - Boost configuration)

Reference Designator	Value	Manufacturer	Part Number	Type	Quantity
D <sub>1-n</sub>	White	Osram	LUW H9GP	Diode	variable
D <sub>BO</sub> , D <sub>3</sub>	Schottky, 3 A, 100 V <sub>R</sub>	Vishay	SS3H10	Diode	2
D <sub>SC1</sub> , D <sub>SC2</sub>	Low Power Diode	Infineon	BAS16-03W	Diode	2
D <sub>Z</sub>	Zener Diode	--	--	Diode	1
C <sub>BO</sub>	100 uF, 80V	Panasonic	EEVFK1K101Q	Capacitor	1
C <sub>IN</sub>	100 uF, 50V	Panasonic	EEEFK1H101GP	Capacitor	1
C <sub>COMP</sub>	10 nF	EPCOS	X7R	Capacitor	1
C <sub>IVCC</sub>	1 uF, 6.3V	EPCOS	MLCC CCNP2C105KBW X7R	Capacitor	1
IC <sub>1</sub>	--	Infineon	TLD5098	IC	1
IC <sub>2</sub>	--	Infineon	XC866	IC	1
L <sub>BO</sub>	100 uH	Coilcraft	MSS1278T-104ML_	Inductor	1
R <sub>COMP</sub> , R <sub>DIM1</sub> , R <sub>DIM2</sub> , R <sub>lim</sub>	10 kΩ, 1%	Panasonic	ERJ3EKF1002V	Resistor	4
R <sub>FB</sub>	820 mΩ, 1%	Panasonic	ERJ14BQFR82U	Resistor	1
R <sub>FREQ</sub>	20 kΩ, 1%	Panasonic	ERJ3EKF2002V	Resistor	1
R <sub>OVH</sub>	33.2 kΩ, 1%	Panasonic	ERJP06F5102V	Resistor	1
R <sub>OVL</sub>	1 kΩ, 1%	Panasonic	ERJ3EKF1001V	Resistor	1
R <sub>CS</sub>	50 mΩ, 1%	Panasonic	ERJB1CFR05U	Resistor	1
T <sub>DIM1</sub> , T <sub>DIM2</sub>	60V Dual N-ch (3.1A) and P-ch. enh. (2A)	Infineon	BSO615CG	Transistor	1
	alternativ: 100V N-ch (0.37A),	Infineon	BSP123	Transistor	1
	alternativ: 60V P-ch (1.9A)	Infineon	BSP171P	Transistor	1
T <sub>SW</sub>	N-ch, OptiMOS-T2 100V, 35A	Infineon	IPD35N10S3L-26	Transistor	1
	alternativ: 60V N-ch, 30A	Infineon	IPD30N06S4L-23	Transistor	1
	alternativ: 60V N-ch, 2.6A	Infineon	BSP318S	Transistor	1

Figure 27 Bill of Materials for B2B application circuit

Application information

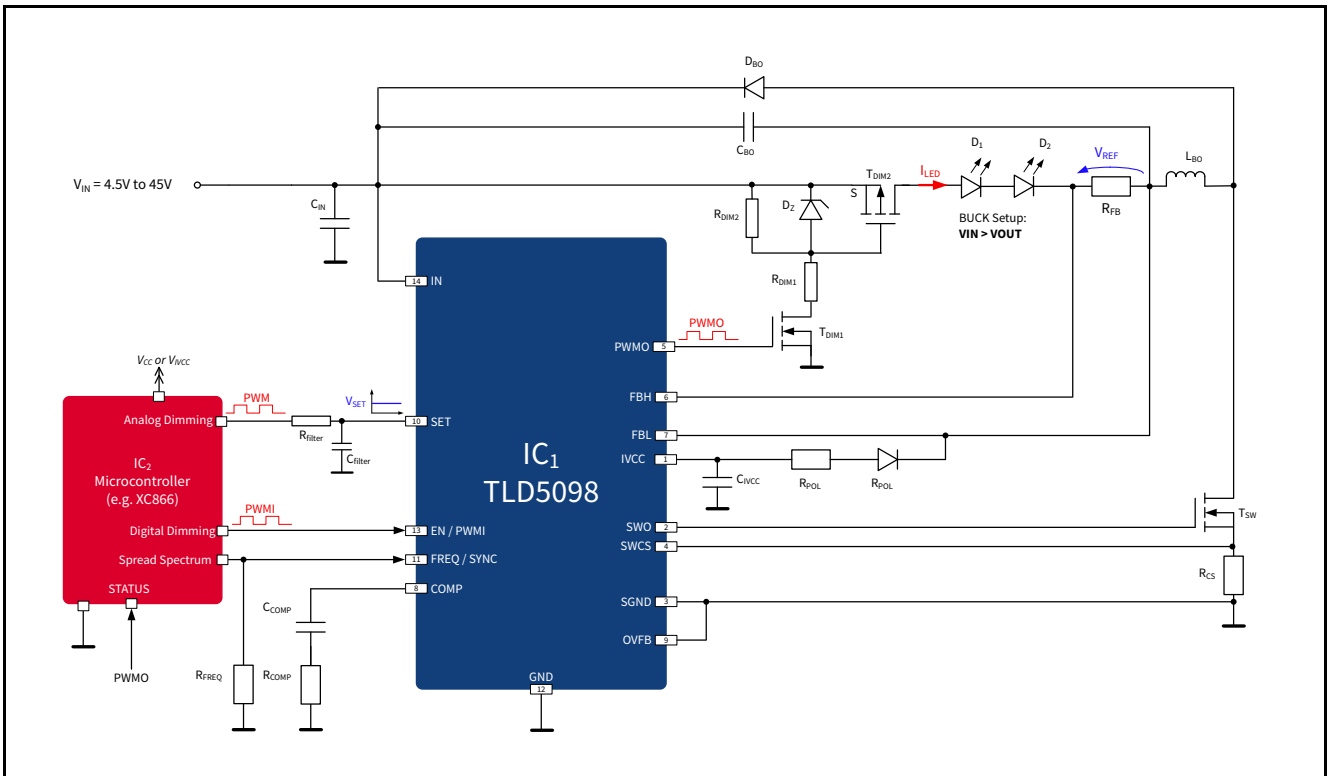


Figure 28 Buck application circuit

Reference Designator	Value	Manufacturer	Part Number	Type	Quantity
D <sub>1-2</sub>	White	Osram	LE UW Q9WP	LED	2
D <sub>BO</sub>	Schottky, 3 A, 100 V <sub>R</sub>	Vishay	SS3H10	Diode	1
D <sub>Z</sub>	10V	Vishay	Zener Diode	Diode	1
D <sub>POL</sub>	80V Diode	Infineon	BAS1603W	Diode	1
C <sub>BO</sub>	4.7 uF, 50V	EPCOS	X7R	Capacitor	1
C <sub>IN</sub>	100 uF, 50V	Panasonic	EEEFK1H101GP	Capacitor	1
C <sub>COMP</sub>	47 nF	EPCOS	X7R	Capacitor	1
C <sub>IVCC</sub>	1 uF , 6.3V	EPCOS	MLCC CCNPZC105KBW X7R	Capacitor	1
IC <sub>1</sub>	--	Infineon	TLD5098	IC	1
IC <sub>2</sub>	--	Infineon	XC866	IC	1
L <sub>1</sub>	22 uH	Coilcraft	MSS1278T	Inductor	1
R <sub>DIM1+2</sub> , R <sub>COMP</sub> , R <sub>POL</sub>	10 kΩ, 1%	Panasonic	ERJ3EKF 1002V	Resistor	4
R <sub>FB</sub>	820 mΩ, 1%	Isabellenhütte	SMS – Power Resistor	Resistor	1
R <sub>FREQ</sub>	20 kΩ, 1%	Panasonic	ERJ3EKF 2002V	Resistor	1
R <sub>CS</sub>	50 mΩ, 1%	Isabellenhütte	SMS - Power Resistor	Resistor	1
T <sub>DIM1</sub>	60V, 0.28A	Infineon	BSS138	Transistor	1
T <sub>DIM2</sub>	-60V, -1.9A	Infineon	BSP171	Transistor	1
T <sub>SW</sub>	100V N-ch, 35A	Infineon	IPG20N10S4L-22	Transistor	1
	alternativ: 60V N-ch, 30A	Infineon	IPD30N06S4L-23	Transistor	1

Figure 29 Bill of Materials for Buck application circuit

Application information

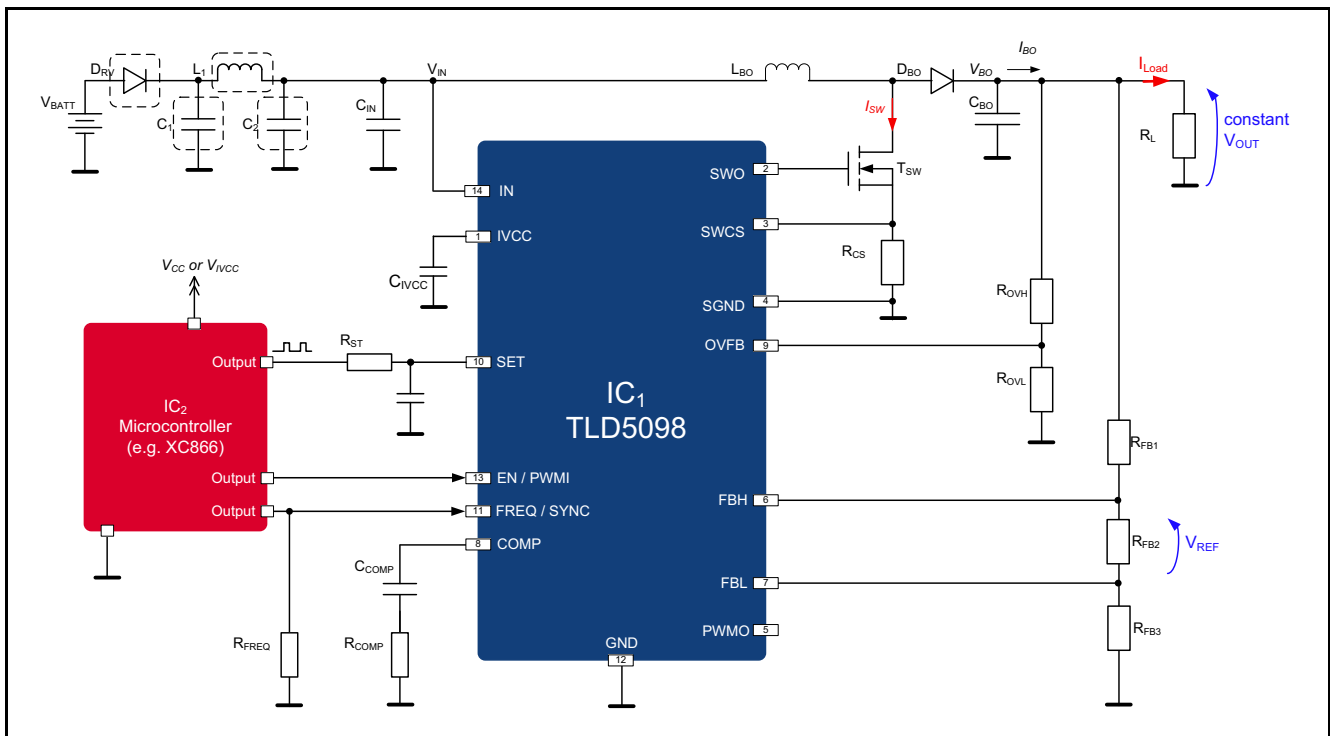


Figure 30 Boost voltage application circuit

Reference Designator	Value	Manufacturer	Part Number	Type	Quantity
D <sub>1-10</sub>	White	Osram	LW W5AP	Diode	10
D <sub>BO</sub>	Schottky, 3 A, 100 V <sub>R</sub>	Vishay	SS3H10	Diode	1
C <sub>BO</sub>	100 uF, 80V	Panasonic	EEVFK1K101Q	Capacitor	1
C <sub>IN</sub>	100 uF, 50V	Panasonic	EEEFK1H101GP	Capacitor	1
C <sub>COMP</sub>	10 nF, 16V	EPCOS	X7R	Capacitor	1
C <sub>IVCC</sub>	1 uF, 6.3V	Panasonic	X7R	Capacitor	1
IC <sub>1</sub>	--	Infineon	TLD5098	IC	1
IC <sub>2</sub>	--	Infineon	XC866	IC	1
L <sub>BO</sub>	100 uH	Coilcraft	MSS1278T-104ML_	Inductor	1
R <sub>COMP</sub>	10 kohms, 1%	Panasonic	ERJ3EKF 1002V	Resistor	1
R <sub>FB1</sub> , R <sub>FB3</sub>	51 kohms, 1%	Panasonic	ERJ3EKF 5102V	Resistor	1
R <sub>FB2</sub>	1 kohms, 1%	Panasonic	ERJ3EKF 1001V	Resistor	1
R <sub>FREQ</sub> , R <sub>ST</sub>	20 kohms, 1%	Panasonic	ERJ3EKF 2002V	Resistor	2
R <sub>OVH</sub>	33.2 kohms, 1%	Panasonic	ERJ3EKF 3322V	Resistor	1
R <sub>OVL</sub>	1 kohms, 1%	Panasonic	ERJ3EKF 1001V	Resistor	1
R <sub>CS</sub>	50 mohms, 1%	Panasonic	ERJB1CFR05U	Resistor	1
T <sub>SW</sub>	N-ch, OptiMOS-T2 100V	Infineon	IPD35N10S3L-26	Transistor	1

Figure 31 Bill of Materials for Boost voltage application circuit

Note: The application drawings and corresponding bill of materials are simplified examples. Optimization of the external components must be done accordingly to specific application requirements.

---

**Application information**

**11.1 Further application information**

- For further information you may contact <http://www.infineon.com/>
- Application Note: TLD509x DC-DC Multitopology Controller IC “Dimensioning and Stability Guideline - Theory and Practice”

## 12 Package outlines

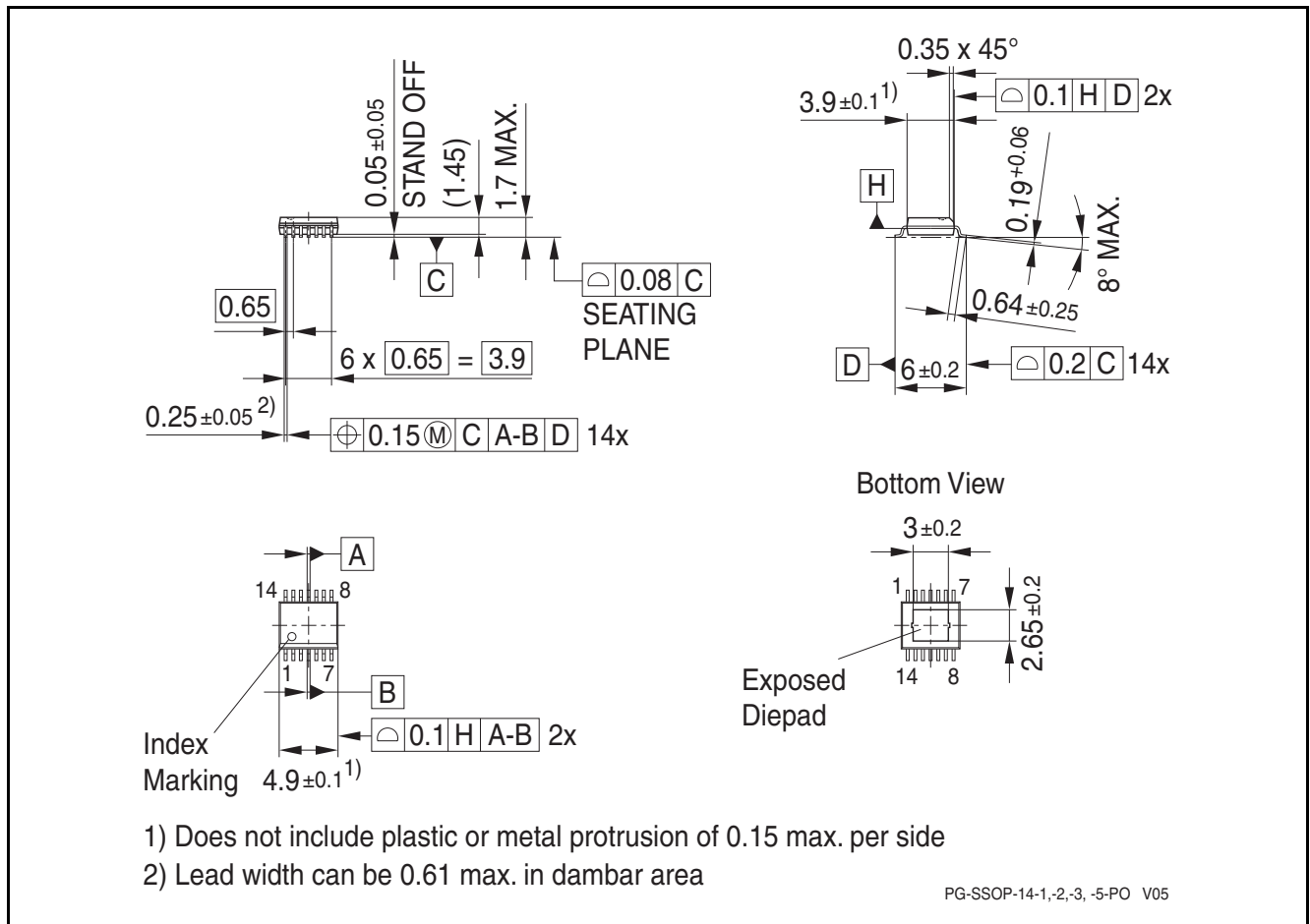


Figure 32 Outline PG-SSOP-14-3

### Green product (RoHS compliant)

To meet the world-wide customer requirements for environmentally friendly products and to be compliant with government regulations the device is available as a green product. Green products are RoHS-Compliant (i.e Pb-free finish on leads and suitable for Pb-free soldering according to IPC/JEDEC J-STD-020).

### Further information on packages

<https://www.infineon.com/packages>

Revision history

### 13 Revision history

Revision	Date	Changes
1.3	2018-10-08	Template update P_4.1.3 → added footnote P_4.3.2 to P_4.3.4 → added footnote
1.2	2015-02-12	Brand name change to LITIX™ Power



## Trademarks

All referenced product or service names and trademarks are the property of their respective owners.

**Edition 2018-10-08**

**Published by**

**Infineon Technologies AG**

**81726 Munich, Germany**

**© 2018 Infineon Technologies AG.**

**All Rights Reserved.**

**Do you have a question about any aspect of this document?**

**Email: [erratum@infineon.com](mailto:erratum@infineon.com)**

**Document reference**

**LITIX™ Power TLD5098\_v1.3**

## IMPORTANT NOTICE

The information given in this document shall in no event be regarded as a guarantee of conditions or characteristics ("Beschaffheitsgarantie").

With respect to any examples, hints or any typical values stated herein and/or any information regarding the application of the product, Infineon Technologies hereby disclaims any and all warranties and liabilities of any kind, including without limitation warranties of non-infringement of intellectual property rights of any third party.

In addition, any information given in this document is subject to customer's compliance with its obligations stated in this document and any applicable legal requirements, norms and standards concerning customer's products and any use of the product of Infineon Technologies in customer's applications.

The data contained in this document is exclusively intended for technically trained staff. It is the responsibility of customer's technical departments to evaluate the suitability of the product for the intended application and the completeness of the product information given in this document with respect to such application.

For further information on technology, delivery terms and conditions and prices, please contact the nearest Infineon Technologies Office ([www.infineon.com](http://www.infineon.com)).

## WARNINGS

Due to technical requirements products may contain dangerous substances. For information on the types in question please contact your nearest Infineon Technologies office.

Except as otherwise explicitly approved by Infineon Technologies in a written document signed by authorized representatives of Infineon Technologies, Infineon Technologies' products may not be used in any applications where a failure of the product or any consequences of the use thereof can reasonably be expected to result in personal injury.

## X-ON Electronics

Largest Supplier of Electrical and Electronic Components

*Click to view similar products for [LED Lighting Drivers](#) category:*

*Click to view products by [Infineon](#) manufacturer:*

Other Similar products are found below :

[LV5235V-MPB-H](#) [MB39C602PNF-G-JNEFE1](#) [MIC2871YMK-T5](#) [AL1676-10BS7-13](#) [AL1676-20AS7-13](#) [AP5726WUG-7](#) [MX877RTR](#)  
[ICL8201](#) [IS31BL3228B-UTLS2-TR](#) [IS31BL3506B-TTLS2-TR](#) [AL3157F-7](#) [AP5725FDCG-7](#) [AP5726FDCG-7](#) [LV52204MTTBG](#)  
[AP5725WUG-7](#) [STP4CMPQTR](#) [NCL30086BDR2G](#) [CAT4004BHU2-GT3](#) [LV52207AXA-VH](#) [AP1694AS-13](#) [TLE4242EJ](#) [AS3688](#)  
[IS31LT3172-GRLS4-TR](#) [TLD2311EL](#) [KTD2694EDQ-TR](#) [KTZ8864EJAA-TR](#) [IS32LT3174-GRLA3-TR](#) [ZXLD1374QESTTC](#) [MP2488DN-](#)  
[LF-Z](#) [NLM0010XTSA1](#) [AL1676-20BS7-13](#) [MPQ7220GF-AEC1-P](#) [MPQ7220GF-AEC1-Z](#) [MPQ4425BGJ-AEC1-Z](#) [IS31FL3737B-QFLS4-](#)  
[TR](#) [IS31FL3239-QFLS4-TR](#) [KTD2058EUAC-TR](#) [KTD2037EWE-TR](#) [DIO5662ST6](#) [IS31BL3508A-TTLS2-TR](#) [MAX20052CATC/V+](#)  
[MAX25606AUP/V+](#) [BD6586MUV-E2](#) [BD9206EFV-E2](#) [BD9416FS-E2](#) [LYT4227E](#) [LYT6079C-TL](#) [MP3394SGF-P](#) [MP4689AGN-P](#)  
[MPQ4425AGQB-AEC1-Z](#)