



Overview

Features

- Optimized for headlight beam control applications
- Delivers up to 0.8 A continuous
- Low saturation voltage; typ. 1.2 V total @ 25 °C; 0.4 A
- Output protected against short circuit
- Overtemperature protection with hysteresis
- Over- and undervoltage lockout
- No crossover current
- Internal clamp diodes
- Enhanced power packages
- Range low-voltage detection with hysteresis
- Green Product (RoHS compliant)
- AEC Qualified



PG-DSO-14

| Type | Ordering Code | Package |
|-------------|---------------|-----------|
| TLE 4206-2G | on request | PG-DSO-14 |

Description

The TLE 4206-2G is a protected H-Bridge Driver designed specifically for automotive headlight beam control and industrial servo control applications. The part is built using Infineons bipolar high voltage power technology DOPL.

The standard enhanced power PG-DSO-14 package meets the application requirements and saves PCB-board space and costs.

The servo-loop-parameter pos.- and neg. Hysteresis, pos.- and neg. deadband and angle-amplification are programmable with external resistors. An internal window-comparator controls the input line. In the case of a fault condition, like short circuit to GND, short circuit to supply-voltage, and broken wire, the TLE 4206-2G stops the motor immediately (brake condition).

Furthermore the built in features like over- and undervoltage-lockout, short-circuit-protection and over-temperature-protection will open a wide range of automotive- and industrial applications.

The TLE 4206-2G is a design-version of the TLE 4206. In the TLE 4206-2G, the current peak blanking Pin is disconnected. A hysteresis is introduced at the lower RANGE threshold. This allows reliable de-activation of the device by pulling the RANGE input to GND also under critical application conditions.

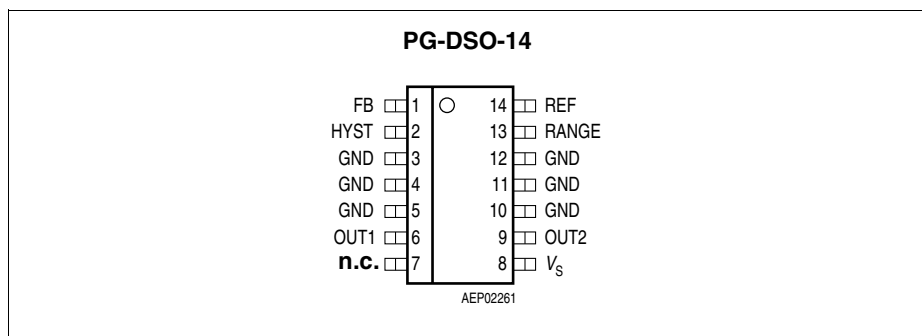


Figure 1 Pin Configuration (top view)

Pin Definitions and Functions

| Pin No. PG-DSO-14 | Symbol | Function |
|----------------------------|-------------|-----------------------------|
| 1 | FB | Feedback Input |
| 2 | HYST | Hysteresis I/O |
| 3, 4, 5, 10, 11, 12 | GND | Ground |
| 6 | OUT1 | Power Output 1 |
| 7 | n.c. | Not connected |
| 8 | V_S | Power Supply Voltage |
| 9 | OUT2 | Power Output 2 |
| 13 | RANGE | Range Input |
| 14 | REF | Reference Input |

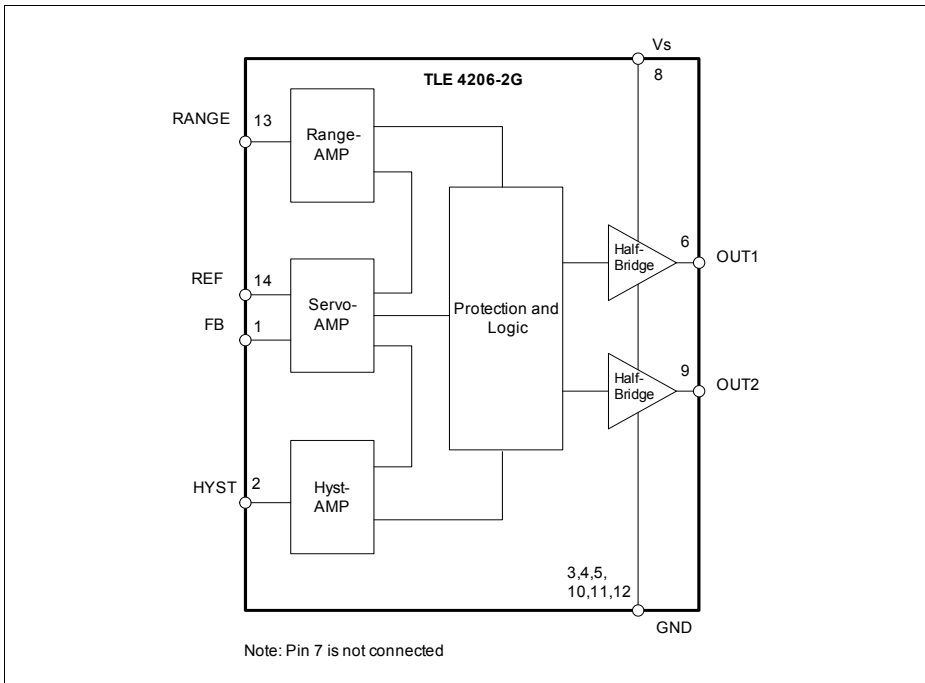


Figure 2 Block Diagram

Absolute Maximum Ratings

| Parameter | Symbol | Limit Values | | Unit | Remarks |
|-----------|--------|--------------|------|------|---------|
| | | min. | max. | | |

Voltages

| | | | | | |
|--|-------|-------|----|---|--|
| Supply voltage | V_S | - 0.3 | 45 | V | - |
| Supply voltage | V_S | - 1 | - | V | $t < 0.5 \text{ s}; I_S > - 2 \text{ A}$ |
| Logic input voltages (FB, REF, RANGE, HYST, CPB) | V_I | - 0.3 | 20 | V | - |

Currents

| | | | | | |
|---|-----------|-----|---|----|-------------------------------|
| Output current (OUT1, OUT2) | I_{OUT} | - | - | A | internally limited |
| Output current (Diode) | I_{OUT} | - 1 | 1 | A | - |
| Input current (FB, REF, RANGE, HYST) | I_{IN} | - 2 | 2 | mA | $t < 2 \text{ ms}; t/T < 0.1$ |
| | | - 6 | 6 | mA | |

Temperatures

| | | | | | |
|----------------------|-----------|------|-----|----|---|
| Junction temperature | T_j | - 40 | 150 | °C | - |
| Storage temperature | T_{stg} | - 50 | 150 | °C | - |

Thermal Resistances

| | | | | | |
|---------------------------------|---------------|---|----|-----|-------------------|
| Junction pin (PG-DSO-14) | $R_{thj-pin}$ | - | 25 | K/W | measured to pin 5 |
| Junction ambient (PG-DSO-14) | R_{thjA} | - | 65 | K/W | - |

Note: Maximum ratings are absolute ratings; exceeding any one of these values may cause irreversible damage to the integrated circuit.

Operating Range

| Parameter | Symbol | Limit Values | | Unit | Remarks |
|---------------------------|--------------|--------------|---------------|-------------|---------------------------------------|
| | | min. | max. | | |
| Supply voltage | V_S | 8 | 18 | V | After V_S rising above $V_{UV\ ON}$ |
| Supply voltage increasing | V_S | - 0.3 | $V_{UV\ ON}$ | V | Outputs in tristate |
| Supply voltage decreasing | V_S | - 0.3 | $V_{UV\ OFF}$ | V | Outputs in tristate |
| Output current | I_{OUT1-2} | - 0.8 | 0.8 | A | - |
| Input current (FB, REF) | I_{IN} | - 50 | 500 | μA | - |
| Junction temperature | T_j | - 40 | 150 | $^{\circ}C$ | - |

Electrical Characteristics

8 V < V_S < 18 V; $I_{OUT1-2} = 0$ A; -40 °C < T_j < 150 °C
(unless otherwise specified)

| Parameter | Symbol | Limit Values | | | Unit | Test Condition |
|-----------|--------|--------------|------|------|------|----------------|
| | | min. | typ. | max. | | |

Current Consumption

| | | | | | | |
|----------------|-------|---|----|----|----|---|
| Supply current | I_S | – | 12 | 20 | mA | – |
| Supply current | I_S | – | 20 | 30 | mA | $I_{OUT1} = 0.4$ A $I_{OUT2} = -0.4$ A |
| Supply current | I_S | – | 30 | 50 | mA | $I_{OUT1} = 0.8$ A $I_{OUT2} = -0.8$ A |

Over- and Under Voltage Lockout

| | | | | | | |
|-----------------------|---------------|------|------|----|---|----------------------------|
| UV Switch ON voltage | $V_{UV\ ON}$ | – | 7.4 | 8 | V | V_S increasing |
| UV Switch OFF voltage | $V_{UV\ OFF}$ | 6.3 | 6.9 | – | V | V_S decreasing |
| UV ON/OFF Hysteresis | V_{UVHY} | – | 0.5 | – | V | $V_{UV\ ON} - V_{UV\ OFF}$ |
| OV Switch OFF voltage | $V_{OV\ OFF}$ | – | 20.5 | 23 | V | V_S increasing |
| OV Switch ON voltage | $V_{OV\ ON}$ | 17.5 | 20 | – | V | V_S decreasing |
| OV ON/OFF Hysteresis | V_{OVHY} | – | 0.5 | – | V | $V_{OV\ OFF} - V_{OV\ ON}$ |

Electrical Characteristics (cont'd)
 $8\text{ V} < V_S < 18\text{ V}; I_{\text{OUT}1-2} = 0\text{ A}; -40\text{ }^\circ\text{C} < T_j < 150\text{ }^\circ\text{C}$

(unless otherwise specified)

| Parameter | Symbol | Limit Values | | | Unit | Test Condition |
|-----------|--------|--------------|------|------|------|----------------|
| | | min. | typ. | max. | | |

Outputs OUT1-2
Saturation Voltages

| | | | | | | |
|--|--------------------|---|------|------|---|----------------------------------|
| Source (upper) $I_{\text{OUT}} = -0.2\text{ A}$ | $V_{\text{SAT U}}$ | – | 0.85 | 1.15 | V | $T_j = 25\text{ }^\circ\text{C}$ |
| Source (upper) $I_{\text{OUT}} = -0.4\text{ A}$ | $V_{\text{SAT U}}$ | – | 0.90 | 1.20 | V | $T_j = 25\text{ }^\circ\text{C}$ |
| Sink (upper) $I_{\text{OUT}} = -0.8\text{ A}$ | $V_{\text{SAT U}}$ | – | 1.10 | 1.50 | V | $T_j = 25\text{ }^\circ\text{C}$ |
| Sink (lower) $I_{\text{OUT}} = 0.2\text{ A}$ | $V_{\text{SAT L}}$ | – | 0.15 | 0.23 | V | $T_j = 25\text{ }^\circ\text{C}$ |
| Sink (lower) $I_{\text{OUT}} = 0.4\text{ A}$ | $V_{\text{SAT L}}$ | – | 0.25 | 0.40 | V | $T_j = 25\text{ }^\circ\text{C}$ |
| Sink (lower) $I_{\text{OUT}} = 0.8\text{ A}$ | $V_{\text{SAT L}}$ | – | 0.45 | 0.75 | V | $T_j = 25\text{ }^\circ\text{C}$ |

| | | | | | | |
|--|------------------|---|-----|-----|---|--|
| Total drop $I_{\text{OUT}} = 0.2\text{ A}$ | V_{SAT} | – | 1.0 | 1.4 | V | $V_{\text{SAT}} = V_{\text{SAT U}} + V_{\text{SAT L}}$ |
| Total drop $I_{\text{OUT}} = 0.4\text{ A}$ | V_{SAT} | – | 1.2 | 1.7 | V | $V_{\text{SAT}} = V_{\text{SAT U}} + V_{\text{SAT L}}$ |
| Total drop $I_{\text{OUT}} = 0.8\text{ A}$ | V_{SAT} | – | 1.6 | 2.5 | V | $V_{\text{SAT}} = V_{\text{SAT U}} + V_{\text{SAT L}}$ |

Clamp Diodes

| | | | | | | |
|------------------------|------------------|---|-----|-----|----|----------------------|
| Forward voltage; upper | V_{FU} | – | 1 | 1.5 | V | $I_F = 0.4\text{ A}$ |
| Upper leakage current | I_{LKU} | – | – | 5 | mA | $I_F = 0.4\text{ A}$ |
| Forward voltage; lower | V_{FL} | – | 0.9 | 1.4 | V | $I_F = 0.4\text{ A}$ |

Electrical Characteristics (cont'd)

8 V < V_S < 18 V; $I_{OUT1-2} = 0$ A; -40 °C < T_j < 150 °C
(unless otherwise specified)

| Parameter | Symbol | Limit Values | | | Unit | Test Condition |
|-----------|--------|--------------|------|------|------|----------------|
| | | min. | typ. | max. | | |

Input-Interface
Input REF

| | | | | | | |
|-------------------|------------|---|-----|---|------------|-------------------------|
| Quiescent voltage | V_{REFq} | – | 200 | – | mV | $I_{REF} = 0$ μ A |
| Input resistance | R_{REF} | – | 6 | – | k Ω | 0 V < V_{REF} < 0.5 V |

Input FB

| | | | | | | |
|-------------------|-----------|---|-----|---|------------|------------------------|
| Quiescent voltage | V_{FBq} | – | 200 | – | mV | $I_{FB} = 0$ μ A |
| Input resistance | R_{FB} | – | 6 | – | k Ω | 0 V < V_{FB} < 0.5 V |

Input/Output HYST

| | | | | | | |
|---|-----------------|-----|------|-----|---------|---|
| Current Amplification $A_{HYST} = I_{HYST} / (I_{REF} - I_{FB})$ | A_{HYST} | 0.8 | 0.95 | 1.1 | – | -20 μ A < I_{HYST} < -10 μ A; 10 μ A < I_{HYST} < 20 μ A; $I_{REF} = 250$ μ A $V_{HYST} = V_S / 2$ |
| Current Offset | I_{HYSTIO} | –2 | 0.35 | 3 | μ A | $I_{REF} = I_{FB} = 250$ μ A $V_{HYST} = V_S / 2$ |
| Threshold voltage High | V_{HYH} / V_S | – | 52 | – | % | – |
| Deadband voltage High | V_{DBH} / V_S | – | 50.4 | – | % | – |
| Deadband voltage Low | V_{DBL} / V_S | – | 49.6 | – | % | – |
| Threshold voltage Low | V_{HYL} / V_S | – | 48 | – | % | – |
| Hysteresis Window | V_{HYW} / V_S | 3 | 4 | 5 | % | $(V_{HYH} - V_{HYL}) / V_S$ |
| Deadband Window | V_{DBW} / V_S | 0.4 | 0.8 | 1.2 | % | $(V_{DBH} - V_{DBL}) / V_S$ |

Electrical Characteristics (cont'd)

8 V < V_S < 18 V; $I_{OUT1-2} = 0$ A; -40 °C < T_j < 150 °C
(unless otherwise specified)

| Parameter | Symbol | Limit Values | | | Unit | Test Condition |
|-----------|--------|--------------|------|------|------|----------------|
| | | min. | typ. | max. | | |

Input RANGE

| | | | | | | |
|--------------------------|---------------|------|-----|-----|----|---|
| Input current | I_{RANGE} | - 1 | - | 1 | μA | $0\text{ V} < V_{RANGE} < V_S$ |
| Switch-OFF voltage High | V_{OFFH} | - 25 | 0 | 100 | mV | refer to V_S |
| Switch-OFF voltage Low | V_{OFFL} | 310 | 390 | 490 | mV | refer to GND, V_{RANGE} decreasing |
| Switch-ON voltage Low | V_{ONL} | 400 | 500 | 550 | mV | refer to GND, V_{RANGE} increasing |
| Low-threshold hysteresis | $V_{OFFLHYS}$ | 50 | 110 | - | mV | see Figure 6 |

Thermal Shutdown

| | | | | | | |
|--|------------|-----|-----|-----|----|---|
| Thermal shutdown junction temperature | T_{jSD} | 150 | 175 | 200 | °C | - |
| Thermal switch-on junction temperature | T_{jSO} | 120 | - | 170 | °C | - |
| Temperature hysteresis | ΔT | - | 30 | - | K | - |

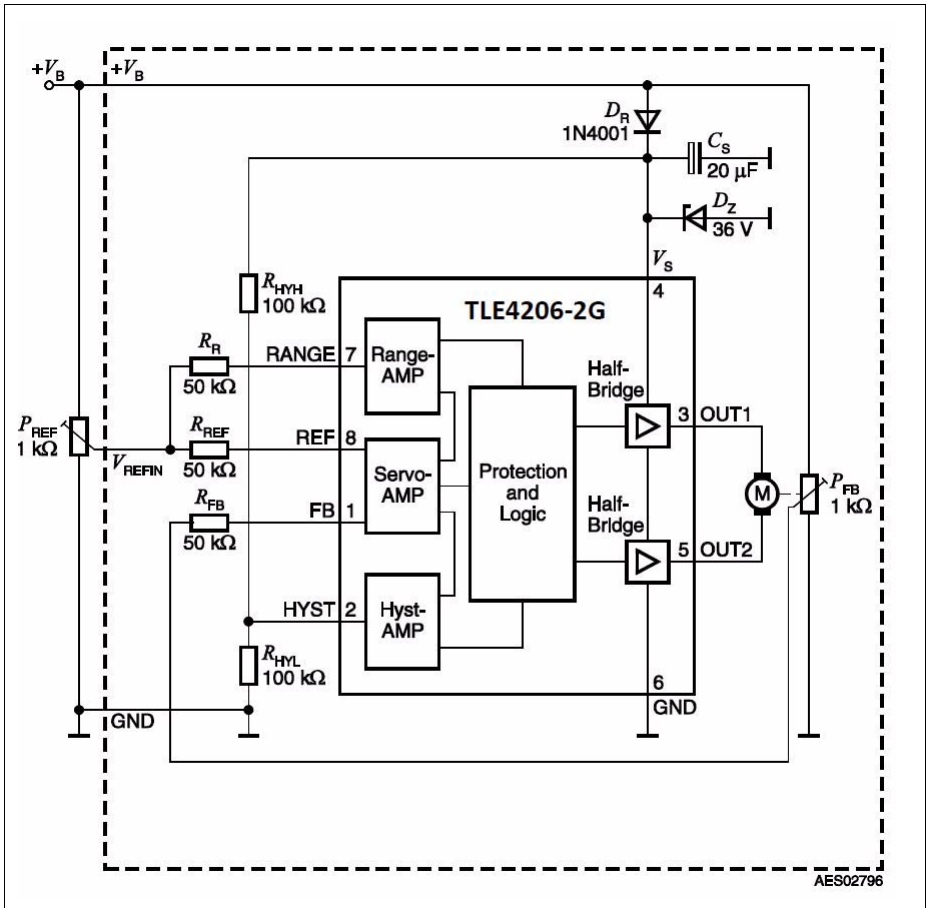


Figure 3 Application Circuit

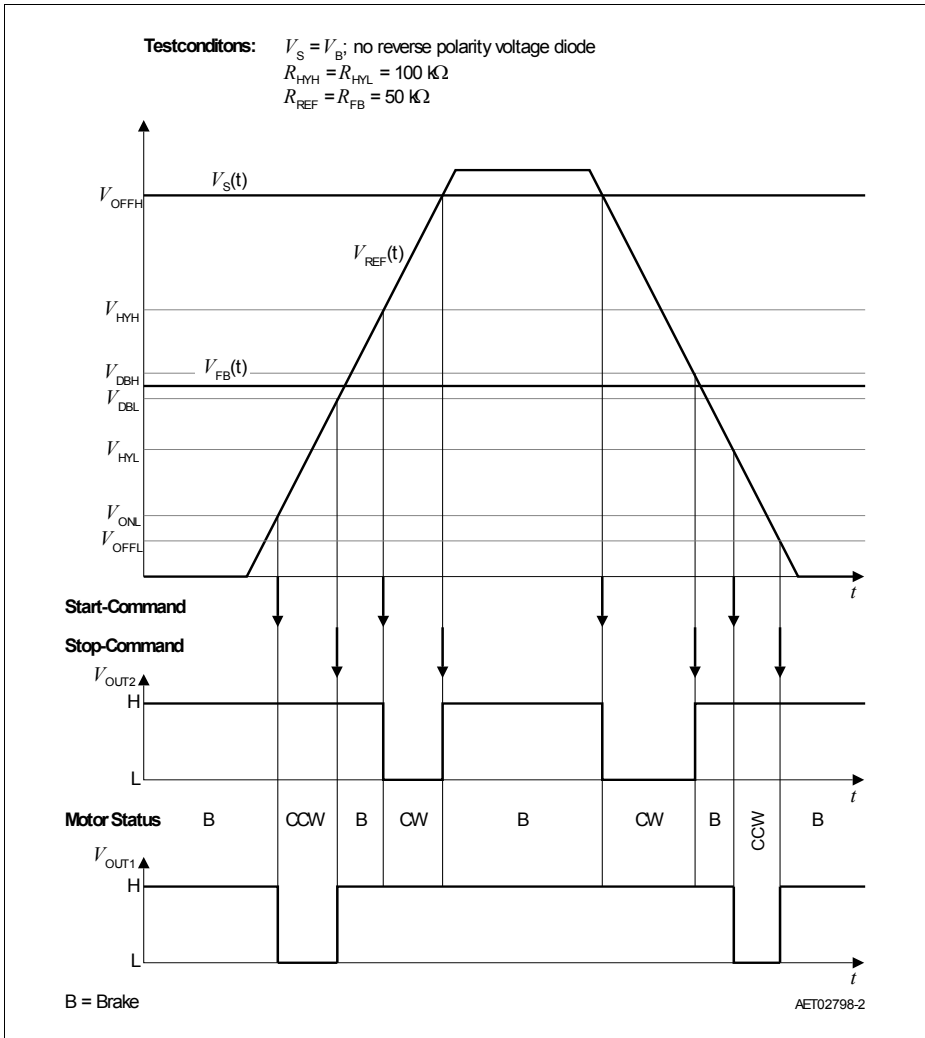


Figure 5 Timing and Phaselag

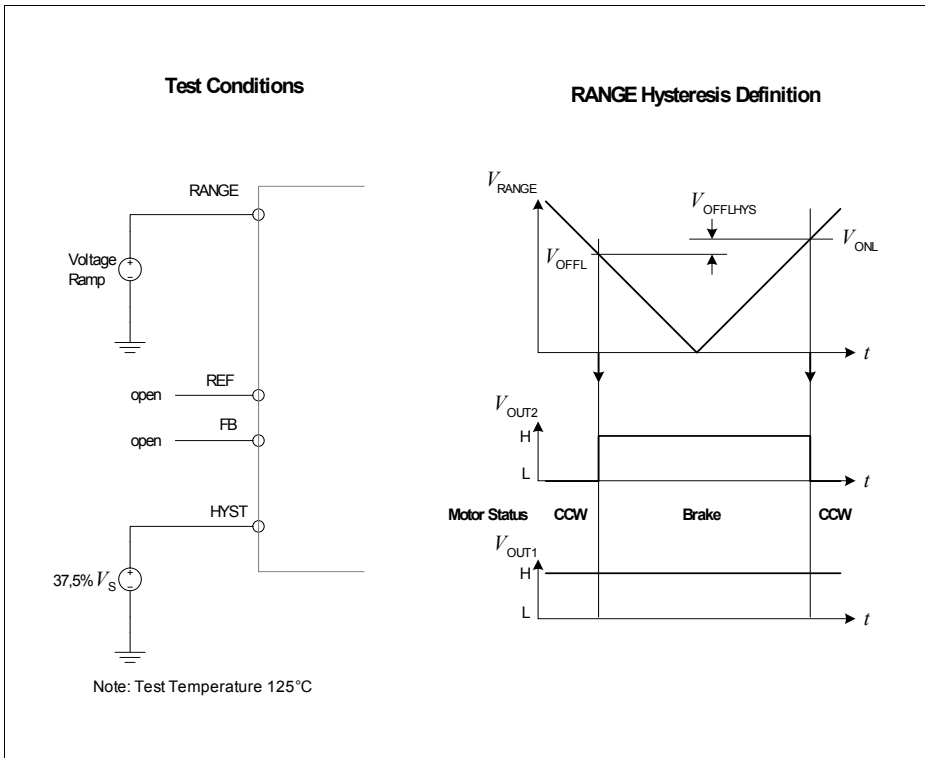


Figure 6 RANGE Hysteresis and Test Conditions

Package Outlines

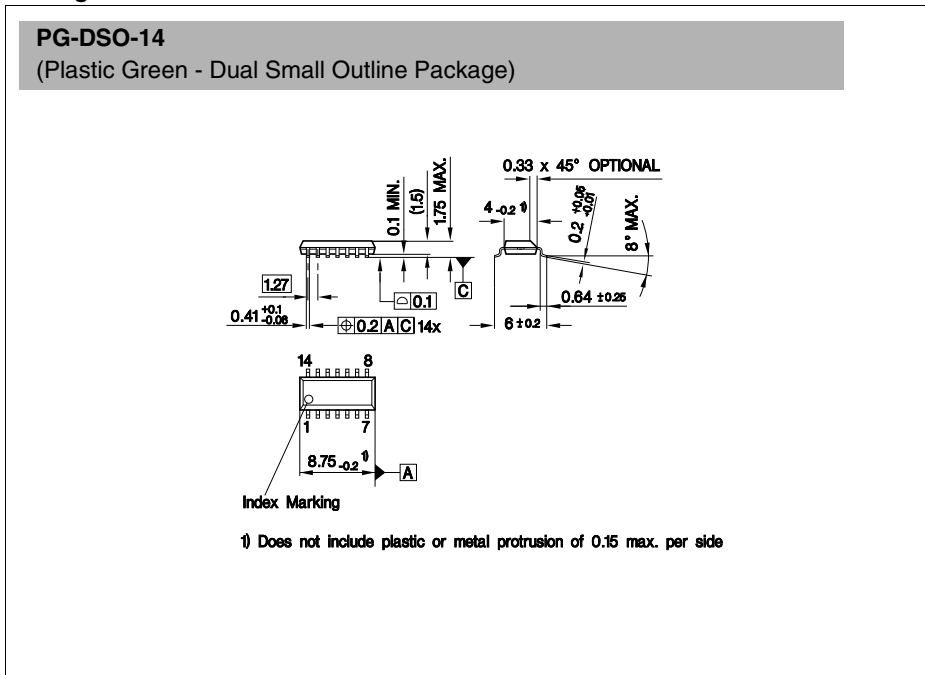


Figure 7 PG-DSO-14 (Plastic/Plastic Green - Dual Small Outline Package)

Green Product (RoHS compliant)

To meet the world-wide customer requirements for environmentally friendly products and to be compliant with government regulations the device is available as a green product. Green products are RoHS-Compliant (i.e Pb-free finish on leads and suitable for Pb-free soldering according to IPC/JEDEC J-STD-020).

You can find all of our packages, sorts of packing and others in our Infineon Internet Page "Products": <http://www.infineon.com/products>.

SMD = Surface Mounted Device

Dimensions in mm

Revision History

| Version | Date | Changes |
|----------------|-------------|--|
| Rev. 1.1 | 2007-08-10 | RoHS-compliant version of the TLE 4206-2 <ul style="list-style-type: none"> • All pages: Infineon logo updated • Page 1: <ul style="list-style-type: none"> “AEC qualified” and “RoHS” logo added, “Green Product (RoHS compliant)” and “AEC qualified” statement added to feature list, package names changed to RoHS compliant versions, package pictures updated, ordering codes removed • Page 14: <ul style="list-style-type: none"> Package names changed to RoHS compliant versions, “Green Product” description added • Revision History added • Legal Disclaimer added |
| Rev. 1.2 | 2008-02-04 | <ul style="list-style-type: none"> • Editorial change: deleted "fully" (The term "fully protected" often leads to misunderstandings as it is unclear with respect to which parameters); page 1 • Update Package picture; page 1 • Update Figure 1; page 2 |
| Rev. 1.3 | 2017-05-19 | <ul style="list-style-type: none"> • Package suffix deleted |
| Rev. 1.4 | 2018-07-02 | <ul style="list-style-type: none"> • Page 14: New package drawing |

Edition 2018-07-02

**Published by
Infineon Technologies AG
81726 Munich, Germany**

**© 2018 Infineon Technologies AG
All Rights Reserved.**

Legal Disclaimer

The information given in this document shall in no event be regarded as a guarantee of conditions or characteristics. With respect to any examples or hints given herein, any typical values stated herein and/or any information regarding the application of the device, Infineon Technologies hereby disclaims any and all warranties and liabilities of any kind, including without limitation, warranties of non-infringement of intellectual property rights of any third party.

Information

For further information on technology, delivery terms and conditions and prices, please contact the nearest Infineon Technologies Office (www.infineon.com).

Warnings

Due to technical requirements, components may contain dangerous substances. For information on the types in question, please contact the nearest Infineon Technologies Office.

Infineon Technologies components may be used in life-support devices or systems only with the express written approval of Infineon Technologies, if a failure of such components can reasonably be expected to cause the failure of that life-support device or system or to affect the safety or effectiveness of that device or system. Life support devices or systems are intended to be implanted in the human body or to support and/or maintain and sustain and/or protect human life. If they fail, it is reasonable to assume that the health of the user or other persons may be endangered.

X-ON Electronics

Largest Supplier of Electrical and Electronic Components

Click to view similar products for [Motor/Motion/Ignition Controllers & Drivers](#) category:

Click to view products by [Infineon](#) manufacturer:

Other Similar products are found below :

[FSB50550TB2](#) [FSBF15CH60BTH](#) [MSVCPM2-63-12](#) [MSVGW45-14-2](#) [MSVGW54-14-3](#) [MSVGW54-14-5](#) [NTE7043](#) [LA6565VR-TLM-E](#)
[LB11650-E](#) [LB1837M-TLM-E](#) [LB1845DAZ-XE](#) [LC898300XA-MH](#) [SS30-TE-L-E](#) [26700](#) [LV8281VR-TLM-H](#) [BA5839FP-E2](#) [IRAM236-1067A](#) [LA6584JA-AH](#) [LB11847L-E](#) [NCV70501DW002R2G](#) [STK672-630CN-E](#) [TND315S-TL-2H](#) [FNA23060](#) [FSB50250AB](#) [FNA41060](#)
[MSVB54](#) [MSVBTC50E](#) [MSVCPM3-54-12](#) [MSVCPM3-63-12](#) [MSVCPM4-63-12](#) [MSVTA120](#) [FSB50550AB](#) [NCV70501DW002G](#)
[LC898301XA-MH](#) [LV8413GP-TE-L-E](#) [MSVGW45-14-3](#) [MSVGW45-14-4](#) [MSVGW45-14-5](#) [MSVGW54-14-4](#) [STK984-091A-E](#)
[SLA7026M](#) [MP6519GQ-Z](#) [LB11651-E](#) [IRSM515-025DA4](#) [LV8127T-TLM-H](#) [NCP81382MNTXG](#) [TDA21801](#) [LB11851FA-BH](#)
[NCV70627DQ001R2G](#) [LB1938FAGEVB](#)