

# OPTIREG™ Linear TLE4263

## 5 V low drop fixed voltage regulator



### Features

- Output voltage tolerance  $\leq \pm 2\%$
- 200 mA output current capability
- Low-drop voltage
- Very low standby current consumption
- Overtemperature protection
- Reverse polarity protection
- Short-circuit proof
- Adjustable reset threshold
- Watchdog
- Wide temperature range
- Suitable for use in automotive electronics
- Green Product (RoHS compliant)

### Potential applications

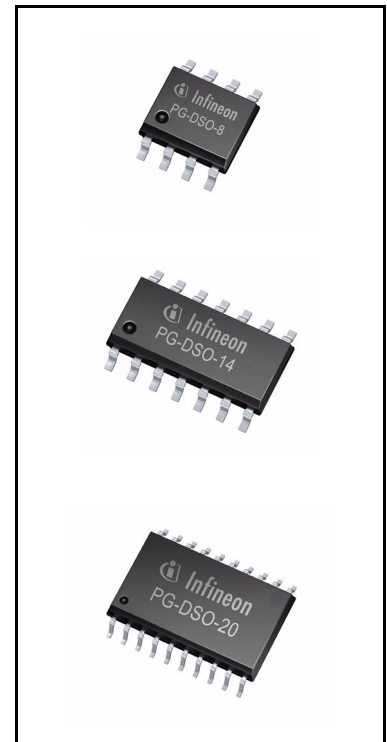
General automotive applications.

### Product validation

Qualified for automotive applications. Product validation according to AEC-Q100/101.

### Description

The OPTIREG™ Linear TLE4263 is a 5 V low drop voltage regulator in a SMD package PG-DSO-14, PG-DSO-20, or PG-DSO-8. The maximum input voltage is 45 V. The maximum output current is 200 mA. The IC is short-circuit proof and incorporates temperature protection which turns off the IC at overtemperature.



# OPTIREG™ Linear TLE4263

## 5 V low drop fixed voltage regulator

---



The IC regulates an input voltage  $V_I$  in the range between 6 V and 45 V to an output voltage to  $V_{Q,nom} = 5.0$  V. A reset signal is generated for an output voltage of  $V_{Q,rt} < 4.5$  V. This voltage threshold can be decreased to 3.5 V by external connection of a voltage divider. The reset delay can be set externally by a capacitor. The integrated watchdog logic supervises the connected microcontroller. The IC can be switched off via the inhibit input, which causes the current consumption to drop from 900  $\mu$ A to typical 0  $\mu$ A.

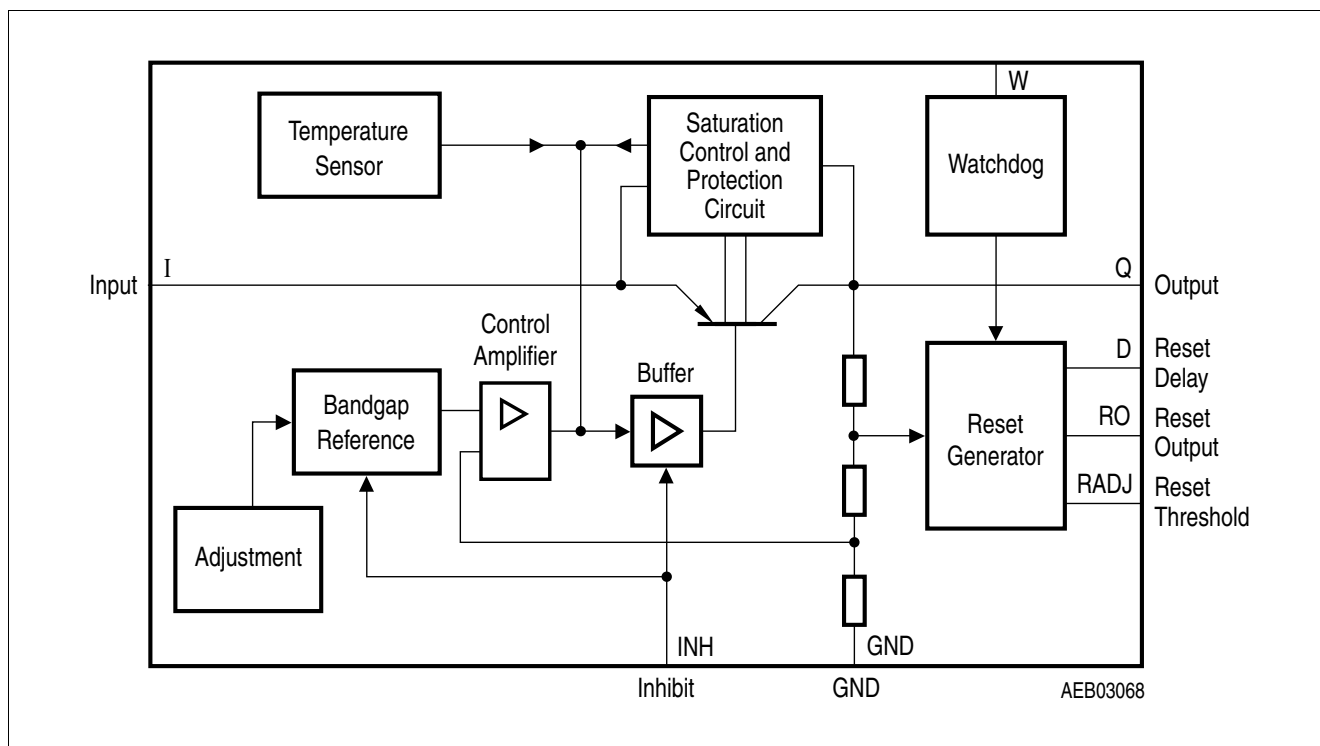
Type	Package	Marking
TLE4263GS	PG-DSO-8	TLE4263
TLE4263GM	PG-DSO-14	TLE4263
TLE4263G	PG-DSO-20	TLE4263

## Table of contents

	<b>Features</b> .....	<b>1</b>
	<b>Potential applications</b> .....	<b>1</b>
	<b>Product validation</b> .....	<b>1</b>
	<b>Description</b> .....	<b>1</b>
	<b>Table of contents</b> .....	<b>3</b>
<b>1</b>	<b>Block diagram</b> .....	<b>4</b>
<b>2</b>	<b>Pin configuration</b> .....	<b>5</b>
<b>3</b>	<b>General product characteristics</b> .....	<b>6</b>
3.1	Absolute maximum ratings .....	6
<b>4</b>	<b>Functional description</b> .....	<b>8</b>
4.1	Choosing external components .....	8
4.2	Electrical characteristics .....	8
4.3	Typical performance characteristics .....	10
<b>5</b>	<b>Application information</b> .....	<b>13</b>
5.1	Reset timing .....	14
5.2	Reset switching threshold .....	15
5.3	Watchdog timing .....	15
<b>6</b>	<b>Package information</b> .....	<b>16</b>
<b>7</b>	<b>Revision history</b> .....	<b>18</b>

**Block diagram**

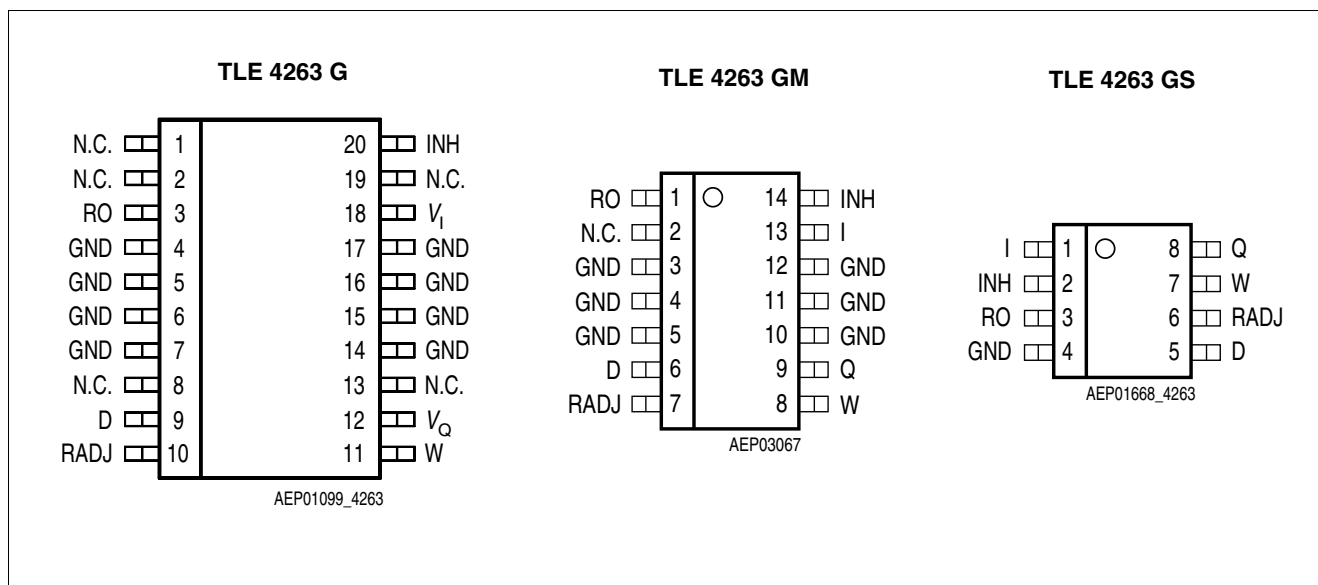
**1 Block diagram**



**Figure 1 Block diagram**

**Pin configuration**

**2 Pin configuration**



**Figure 2 Pin configuration** (top view)

**Table 1 Pin definitions and functions**

Pin PG-DSO-14	Pin PG-DSO-20	Pin PG-DSO-8	Symbol	Function
1	3	3	RO	<b>Reset output;</b> open-collector output connected to the output via a resistor of 30 k $\Omega$ .
2	1, 2, 19, 13	–	N.C.	<b>Not connected.</b>
3 - 5, 10 - 12	4-7, 14-17	4	GND	<b>Ground.</b>
6	9	5	D	<b>Reset delay;</b> connected to ground with a capacitor.
7	10	6	RADJ	<b>Reset threshold;</b> to adjust the switching threshold connect a voltage divider (output to GND) to the pin. If this input is connected to GND, reset is triggered at an output voltage of 4.5 V.
8	11	7	W	<b>Watchdog;</b> rising edge triggered input for monitoring a microcontroller.
9	12	8	Q	<b>5 V output voltage;</b> block to ground with a capacitor, $C \geq 22 \mu\text{F}$ , $\text{ESR} \leq 3 \Omega$ at 10 kHz.
13	18	1	I	<b>Input voltage;</b> block to ground directly at the IC with a ceramic capacitor.
14	20	2	INH	<b>Inhibit;</b> TTL-compatible, low-active input.

General product characteristics

### 3 General product characteristics

#### 3.1 Absolute maximum ratings

**Table 2 Absolute maximum ratings**

Parameter	Symbol	Values			Unit	Note or Test Condition
		Min.	Typ.	Max.		
<b>Input I</b>						
Input voltage	$V_I$	-42	-	45	V	-
Input current	$I_I$	-	-	-	-	Internally limited
<b>Reset output RO</b>						
Voltage	$V_R$	-0.3	-	42	V	-
Current	$I_R$	-	-	-	-	Internally limited
<b>Reset threshold RADJ</b>						
Voltage	$V_{RADJ}$	-0.3	-	6	V	-
<b>Reset delay D</b>						
Voltage	$V_D$	-0.3	-	42	V	-
Current	$I_D$	-	-	-	-	Internally limited
<b>Output Q</b>						
Voltage	$V_Q$	-0.3	-	7	V	-
Current	$I_Q$	-	-	-	-	Internally limited
<b>Inhibit INH</b>						
Voltage	$V_{INH}$	-42	-	45	V	-
<b>Watchdog W</b>						
Voltage	$V_W$	-0.3	-	6	V	-
<b>Ground GND</b>						
Current	$I_{GND}$	-0.5	-	-	A	-
<b>Temperature</b>						
Junction temperature	$T_j$	-	-	150	°C	-
Storage temperature	$T_{stg}$	-50	-	150	°C	-
<b>Operating range</b>						
Input voltage	$V_I$	-	-	45	V	-
Junction temperature	$T_j$	-40	-	150	°C	-

**General product characteristics**

**Table 2 Absolute maximum ratings (cont'd)**

Parameter	Symbol	Values			Unit	Note or Test Condition
		Min.	Typ.	Max.		
<b>Thermal resistance</b>						
Junction-ambient	$R_{thj-a}$	-	-	112	K/W	PG-DSO-14 <sup>1)</sup> ; Footprint only
		-	-	92	K/W	PG-DSO-14 <sup>1)</sup> ; 300 mm <sup>2</sup> Heat sink
		-	-	185	K/W	PG-DSO-8 <sup>1)</sup> ; Footprint only
		-	-	164	K/W	PG-DSO-8 <sup>1)</sup> ; 300 mm <sup>2</sup> Heat sink
		-	-	84	K/W	PG-DSO-20 <sup>1)</sup> ; Footprint only
		-	-	66	K/W	PG-DSO-20 <sup>1)</sup> ; 300 mm <sup>2</sup> Heat sink
Junction-pin	$R_{thj-p}$	-	-	32	K/W	PG-DSO-14 <sup>2)</sup>

1) Worst case; package mounted on PCB 80 × 80 × 1.5 mm<sup>3</sup>; 35 μm Cu; 5 μm Sn; zero airflow.

2) Measured to pin 4.

**Functional description**

## 4 Functional description

The control amplifier compares a reference voltage, which is kept highly accurate by resistance adjustment, to a voltage that is proportional to the output voltage and drives the base of the series transistor via a buffer. Saturation control as a function of the load current prevents any over-saturation of the power element. If the externally scaled down output voltage at the reset threshold input drops below 1.35 V, the external reset delay capacitor is discharged by the reset generator. When the voltage of the capacitor reaches the lower threshold  $V_{DRL}$ , a reset signal occurs at the reset output and is held until the upper threshold  $V_{DU}$  is exceeded. If the reset threshold input is connected to GND, reset is triggered at an output voltage of typ. 4.65 V. A connected microcontroller will be monitored through the watchdog logic. In case of missing pulses at pin W, the reset output is set to “low”. The pulse sequence time can be set in a wide range with the reset delay capacitor. The IC can be switched at the TTL-compatible, low-active inhibit input. The IC also incorporates a number of internal circuits for protection against:

- Overload
- Overtemperature
- Reverse polarity

### 4.1 Choosing external components

The input capacitor  $C_i$  is necessary for compensation of line influences. Using a resistor of approx. 1  $\Omega$  in series with  $C_i$ , the oscillating circuit consisting of input inductivity and input capacitance can be damped. The output capacitor is necessary for the stability of the regulating circuit. Stability is ensured at values  $C_o \geq 22 \mu\text{F}$  and an ESR of  $\leq 3 \Omega$  within the operating temperature range. For small tolerances of the reset delay the spread of the capacitance of the delay capacitor and its temperature coefficient should be noted.

### 4.2 Electrical characteristics

**Table 3 Electrical characteristics**

$V_i = 13.5 \text{ V}$ ;  $-40^\circ\text{C} < T_j < 125^\circ\text{C}$ ;  $V_{INH} > 3.5 \text{ V}$ ; (unless specified otherwise)

Parameter	Symbol	Values			Unit	Note or Test Condition
		Min.	Typ.	Max.		
<b>Normal Operation</b>						
Output voltage	$V_Q$	4.90	5.00	5.10	V	$5 \text{ mA} \leq I_Q \leq 150 \text{ mA}$ ; $6 \text{ V} \leq V_i \leq 28 \text{ V}$
Output voltage	$V_Q$	4.90	5.00	5.10	V	$6 \text{ V} \leq V_i \leq 32 \text{ V}$ ; $I_Q = 100 \text{ mA}$ ; $T_j = 100^\circ\text{C}$
Output current limitation	$I_{Q,max}$	201	250	400	mA	$V_Q = 4.8 \text{ V}$
Current consumption; $I_q = I_i - I_Q$	$I_q$	–	0	50	$\mu\text{A}$	$V_{INH} = 0$
	$I_q$	–	900	1300	$\mu\text{A}$	$I_Q = 0 \text{ mA}$
	$I_q$	–	10	18	mA	$I_Q = 150 \text{ mA}$
	$I_q$	–	15	23	mA	$I_Q = 150 \text{ mA}$ ; $V_i = 4.5 \text{ V}$
Drop voltage	$V_{dr}$	–	0.35	0.50	V	$I_Q = 150 \text{ mA}^{1)}$
Load regulation	$\Delta V_{Q,lo}$	–	–	25	mV	$I_Q = 5 \text{ mA}$ to $150 \text{ mA}$
Line regulation	$\Delta V_{Q,li}$	–	3	25	mV	$V_i = 6 \text{ V}$ to $28 \text{ V}$ ; $I_Q = 150 \text{ mA}$



**Functional description**

**Table 3 Electrical characteristics (cont'd)**

$V_i = 13.5 \text{ V}$ ;  $-40^\circ\text{C} < T_j < 125^\circ\text{C}$ ;  $V_{\text{INH}} > 3.5 \text{ V}$ ; (unless specified otherwise)

Parameter	Symbol	Values			Unit	Note or Test Condition
		Min.	Typ.	Max.		
Power supply ripple rejection	$PSRR$	–	54	–	dB	$f_r = 100 \text{ Hz}$ ; $V_r = 0.5 \text{ Vpp}$

**Reset Generator**

Switching threshold	$V_{Q,rt}$	4.5	4.65	4.8	V	$V_{\text{RADJ}} = 0 \text{ V}$
Reset adjust threshold	$V_{\text{RADJ,th}}$	1.26	1.35	1.44	V	$V_Q > 3.5 \text{ V}$
Reset low voltage	$V_{\text{RO,l}}$	–	0.10	0.40	V	$I_{\text{RO}} = 1 \text{ mA}$
Saturation voltage	$V_{D,\text{sat}}$	–	50	100	mV	$V_Q < V_{\text{R,th}}$
Upper timing threshold	$V_{\text{DU}}$	1.45	1.70	2.05	V	–
Lower reset timing threshold	$V_{\text{DRL}}$	0.20	0.35	0.55	V	–
Charge current	$I_{D,\text{ch}}$	40	60	85	$\mu\text{A}$	–
Reset delay time	$t_{\text{rd}}$	1.3	2.8	4.1	ms	$C_D = 100 \text{ nF}$
Reset reaction time	$t_{\text{rr}}$	0.5	1.2	4	$\mu\text{s}$	$C_D = 100 \text{ nF}$

**Watchdog**

Discharge current	$I_{D,\text{wd}}$	4.40	6.25	9.10	$\mu\text{A}$	$V_D = 1.0 \text{ V}$
Upper timing threshold	$V_{\text{DU}}$	1.45	1.70	2.05	V	–
Lower timing threshold	$V_{\text{DWL}}$	0.20	0.35	0.55	V	–
Watchdog trigger time	$T_{\text{WI,tr}}$	16	22.5	27	ms	$C_D = 100 \text{ nF}$

**Inhibit**

Switching voltage	$V_{\text{INH,ON}}$	3.6	–	–	V	IC turned on
Turn-OFF voltage	$V_{\text{INH,OFF}}$	–	–	0.8	V	IC turned off
Input current	$I_{\text{INH}}$	5	10	25	$\mu\text{A}$	$V_{\text{INH}} = 5 \text{ V}$

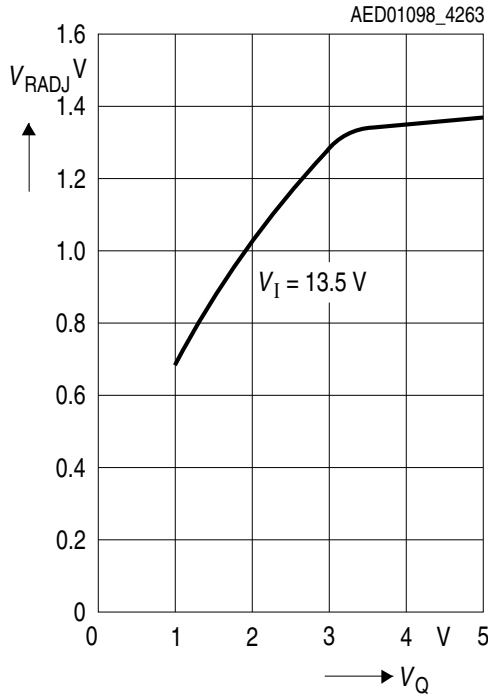
1) Drop voltage =  $V_i - V_Q$  (measured when the output voltage has dropped 100 mV from the nominal value obtained at 6 V input).

Note: The reset output is “low” within the range  $V_Q = 1 \text{ V}$  to  $V_{Q,rt}$

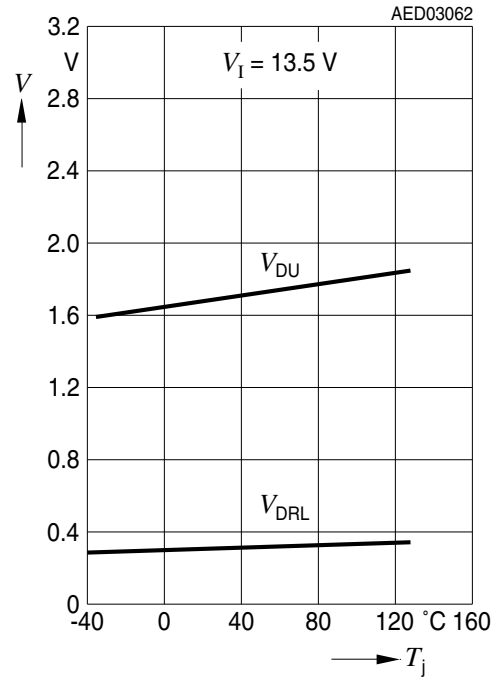
**Functional description**

**4.3 Typical performance characteristics**

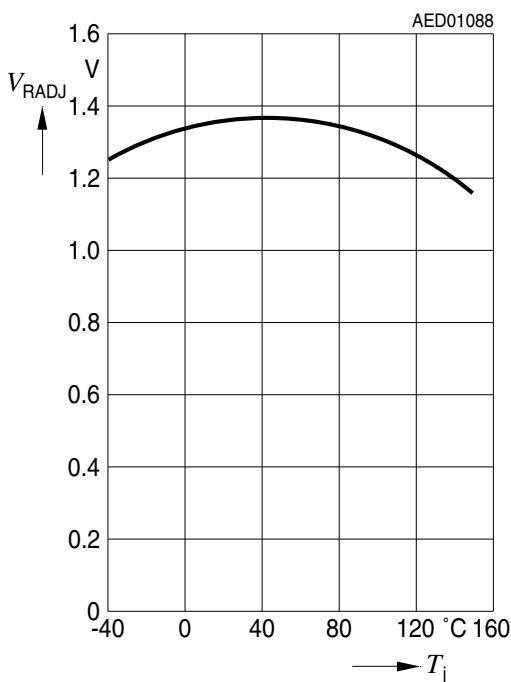
**Reset switching threshold versus output voltage**



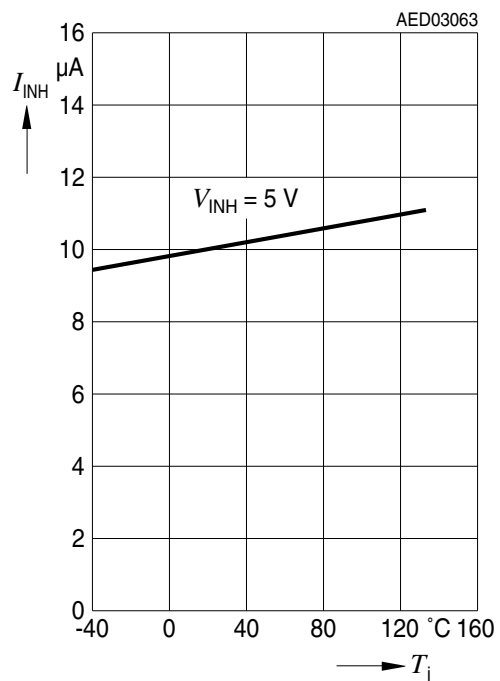
**Timing threshold voltage  $V_{DU}$  and  $V_{DRL}$  versus junction temperature**



**Reset switching threshold versus junction temperature**

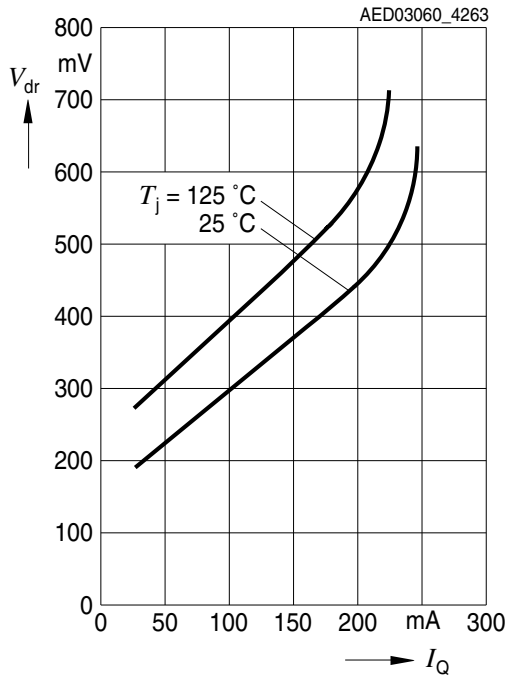


**Current consumption of inhibit versus junction temperature**

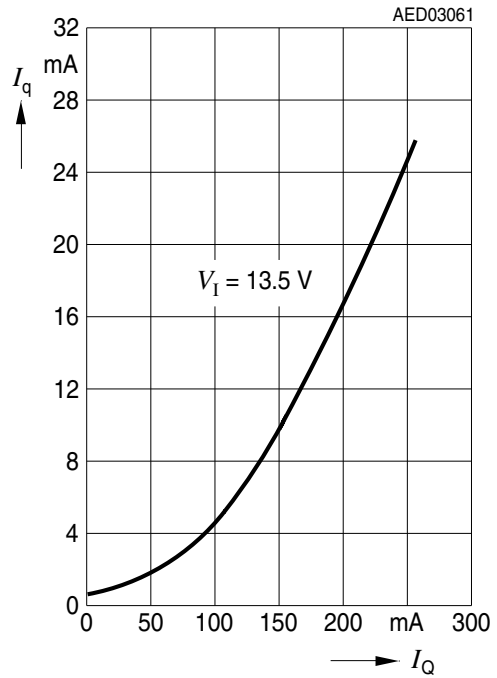


**Functional description**

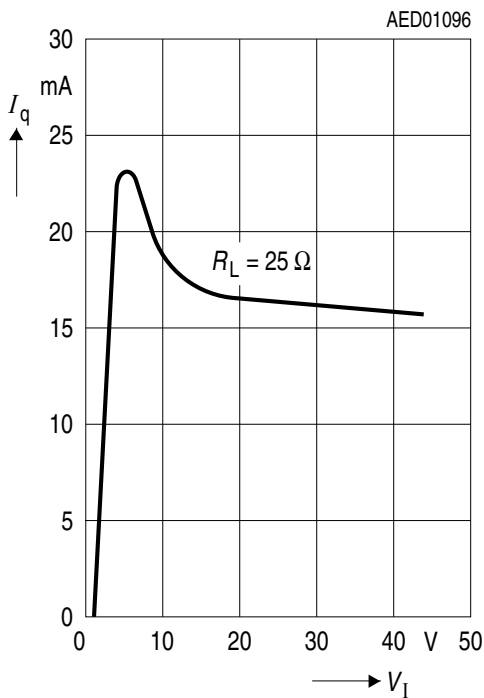
**Drop voltage versus output current**



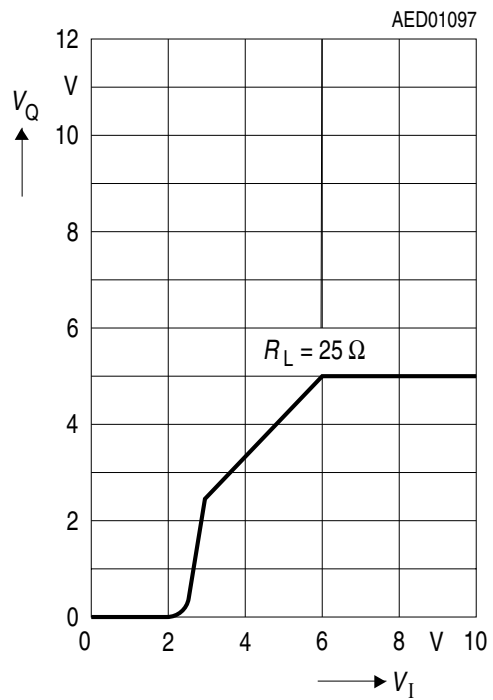
**Current consumption versus output current**



**Current consumption versus input voltage**

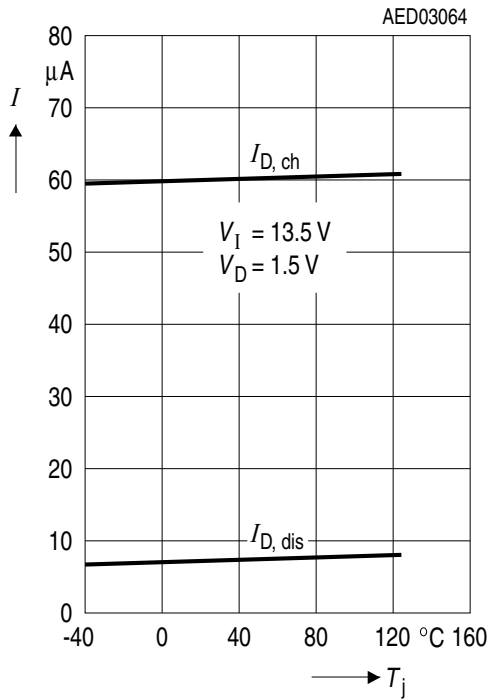


**Output voltage versus input voltage**

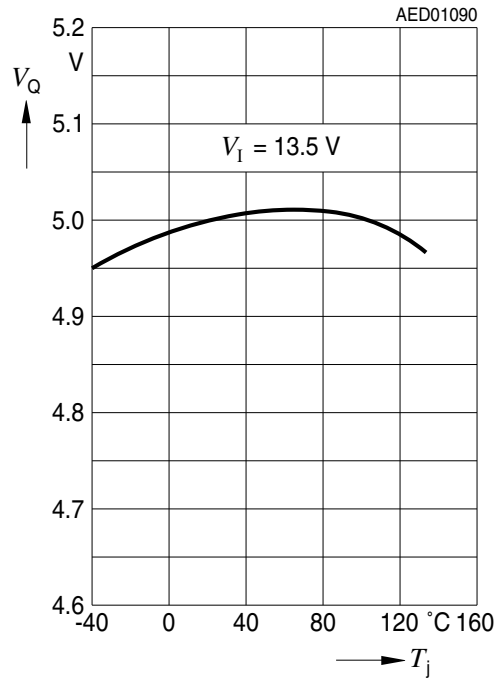


**Functional description**

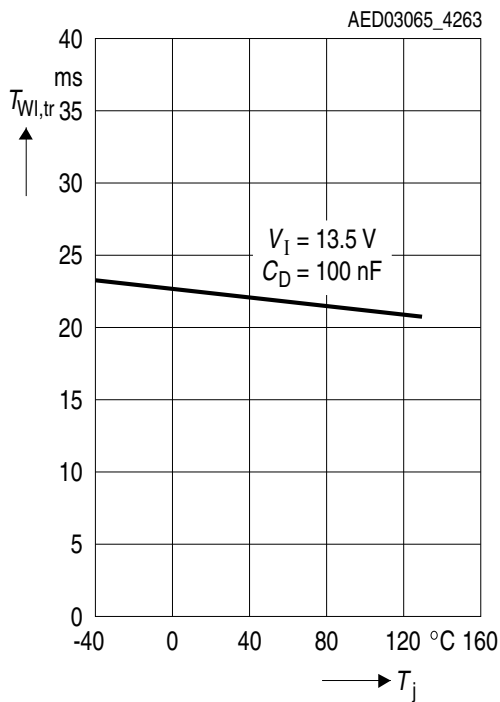
**Charge current and discharge current versus junction temperature**



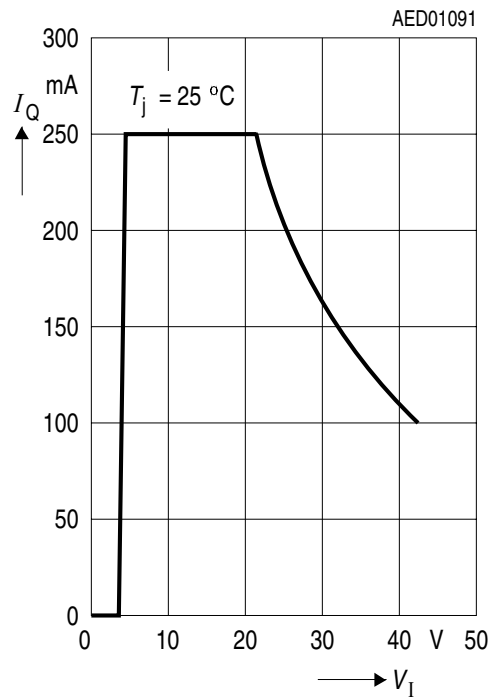
**Output voltage versus junction temperature**



**Pulse time versus junction temperature**

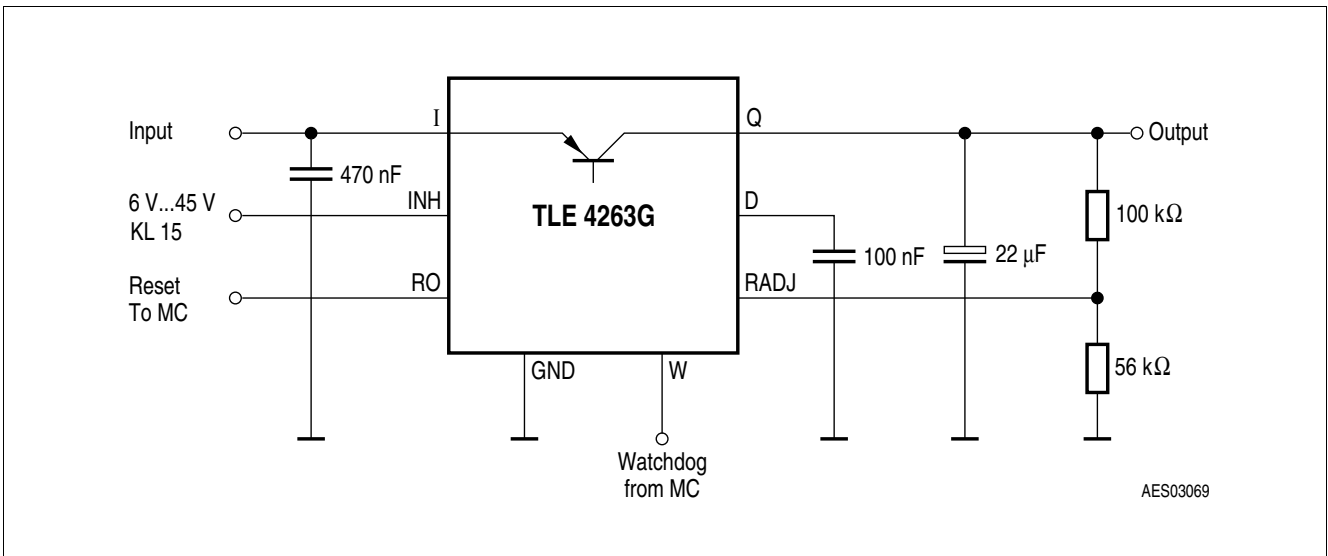


**Output current versus input voltage**

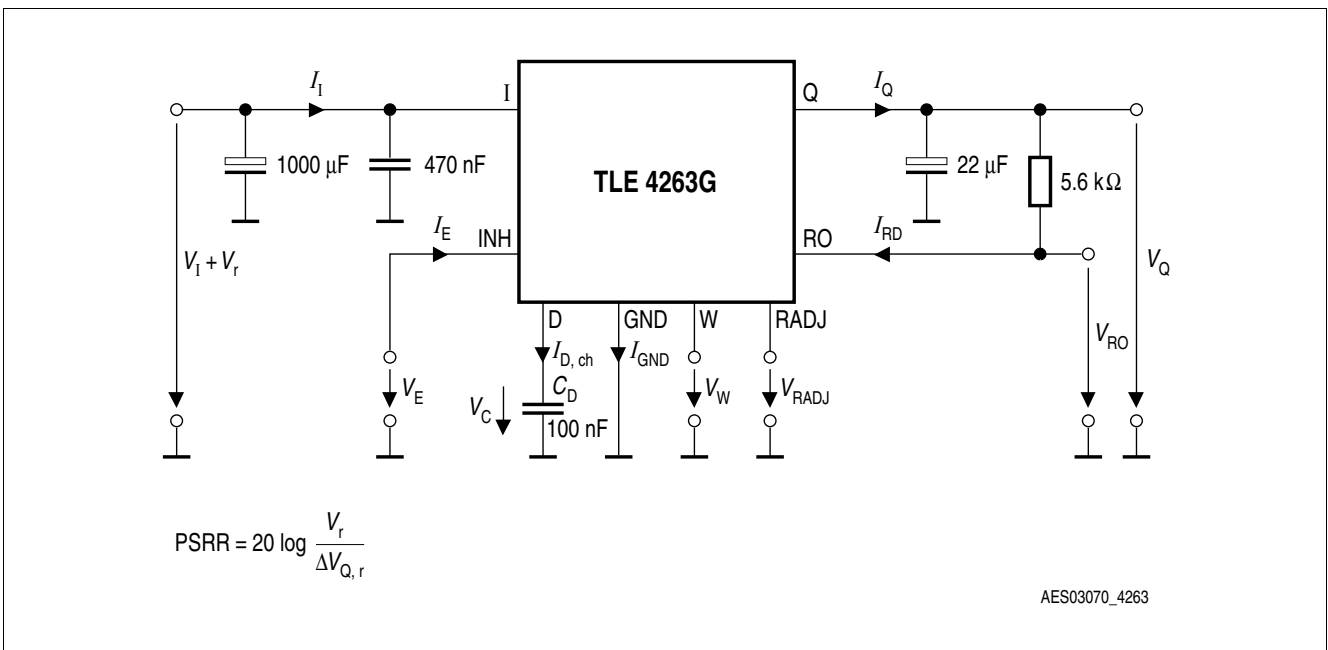


**Application information**

**5 Application information**



**Figure 3 Application circuit**



**Figure 4 Test circuit**

**Application information**

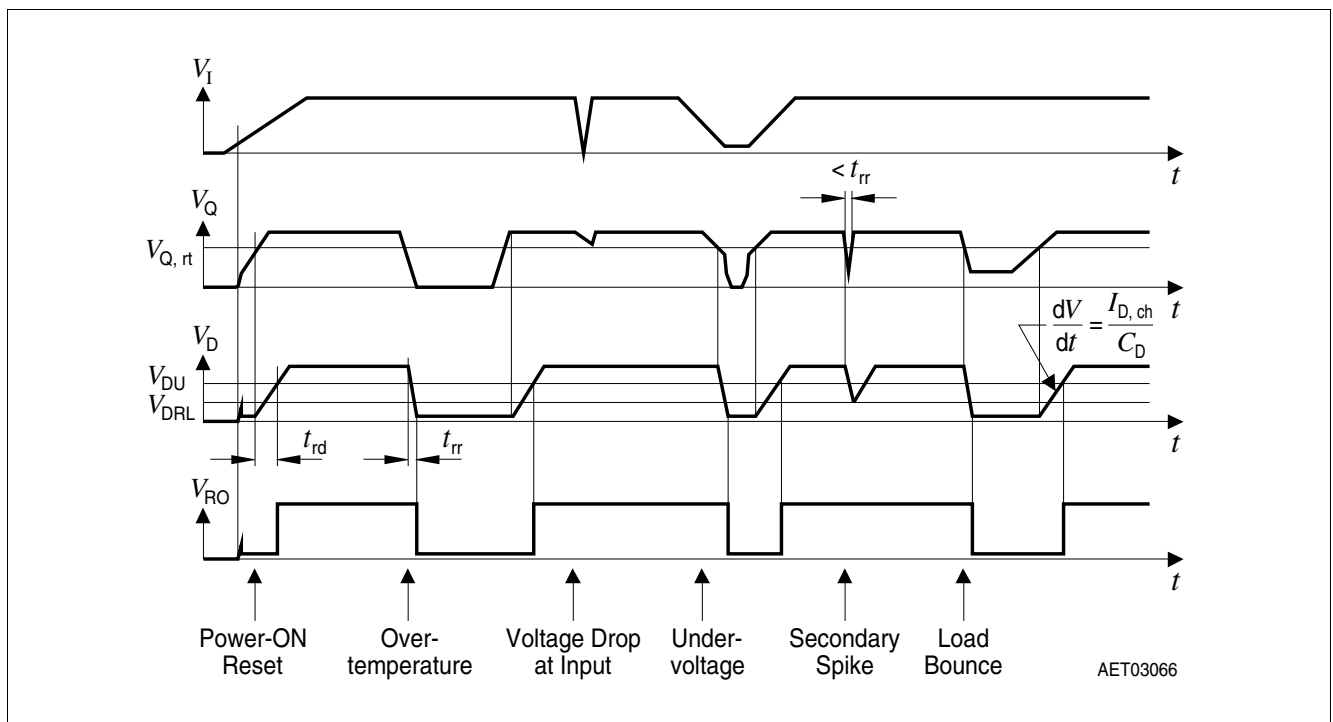
**5.1 Reset timing**

The power-on reset delay time is defined by the charging time of an external capacitor  $C_D$  which can be calculated as follows:

$$C_D = (t_{rd} \times I_{D,ch}) / \Delta V \tag{5.1}$$

Definitions:

- $C_D$  = delay capacitor
- $t_{rd}$  = reset delay time
- $I_{D,ch}$  = charge current, typical 60  $\mu$ A
- $\Delta V = V_{DU}$ , typical 1.70 V
- $V_{DU}$  = upper delay switching threshold at  $C_D$  for reset delay time



**Figure 5 Time response, watchdog with high-frequency clock**

**Application information**

**5.2 Reset switching threshold**

The present default value is typ. 4.65 V. When using the TLE4263 the reset threshold can be set to  $3.5\text{ V} < V_{Q,rt} < 4.6\text{ V}$  by connecting an external voltage divider to pin RADJ. The calculation can be easily done since the reset adjust input current can be neglected. If this feature is not needed, the pin must be connected to GND.

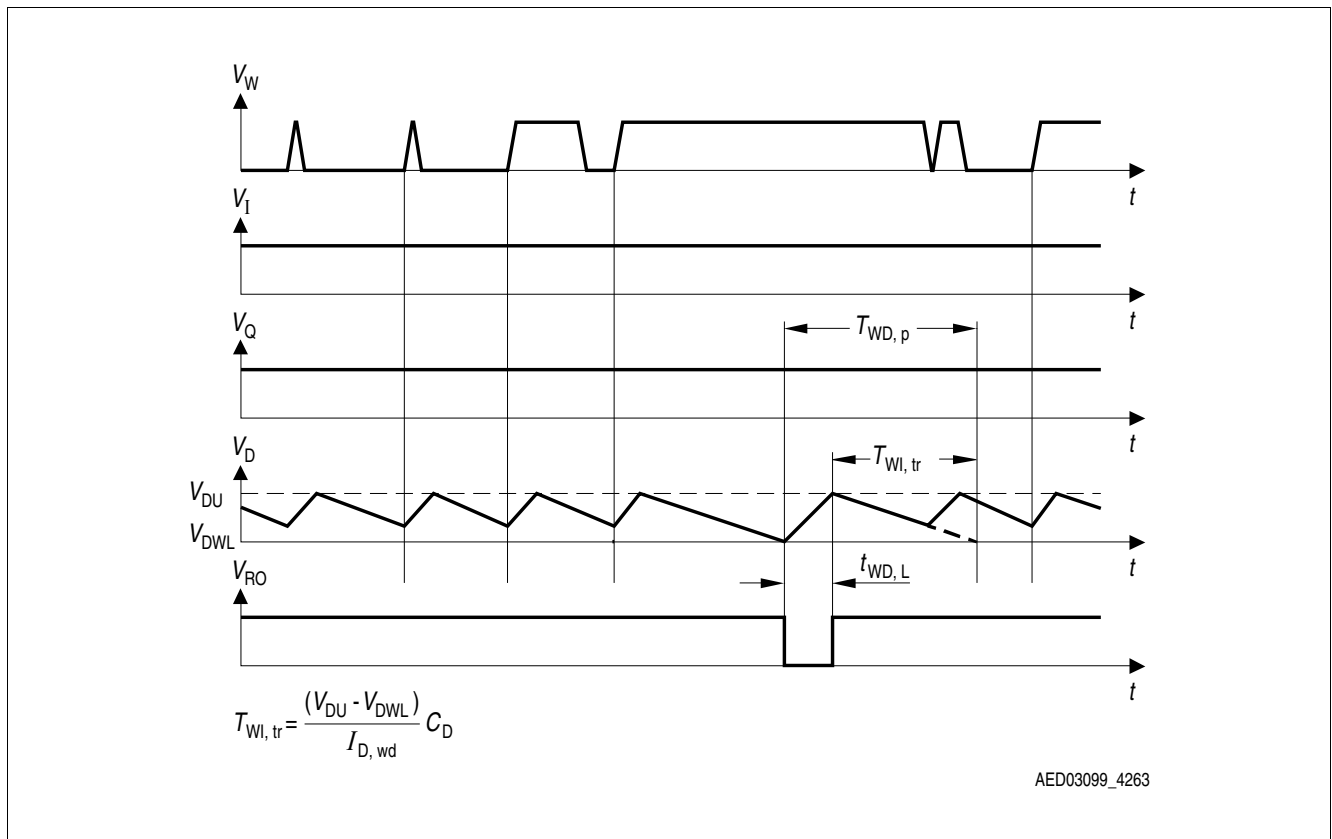
$$V_{Q,rt} = (1 + R_1/R_2) \times V_{RADJ,th} \tag{5.2}$$

Definitions:

- $V_{Q,rt}$  = reset threshold
- $V_{RADJ,th}$  = comparator reference voltage, typical 1.35 V

**5.3 Watchdog timing**

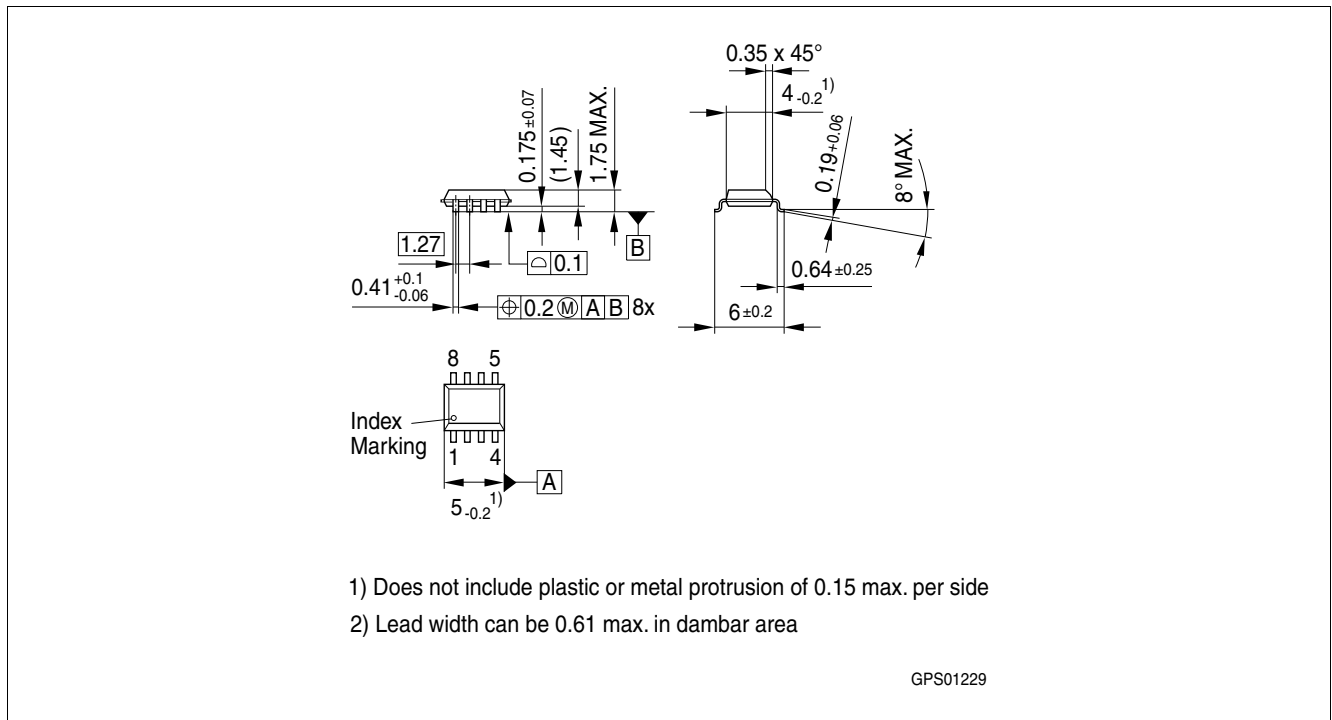
The frequency of the watchdog pulses must be higher than the minimum pulse sequence which is set by the external reset delay capacitor  $C_D$ . Calculation can be done according to the formula given in [Figure 6](#).



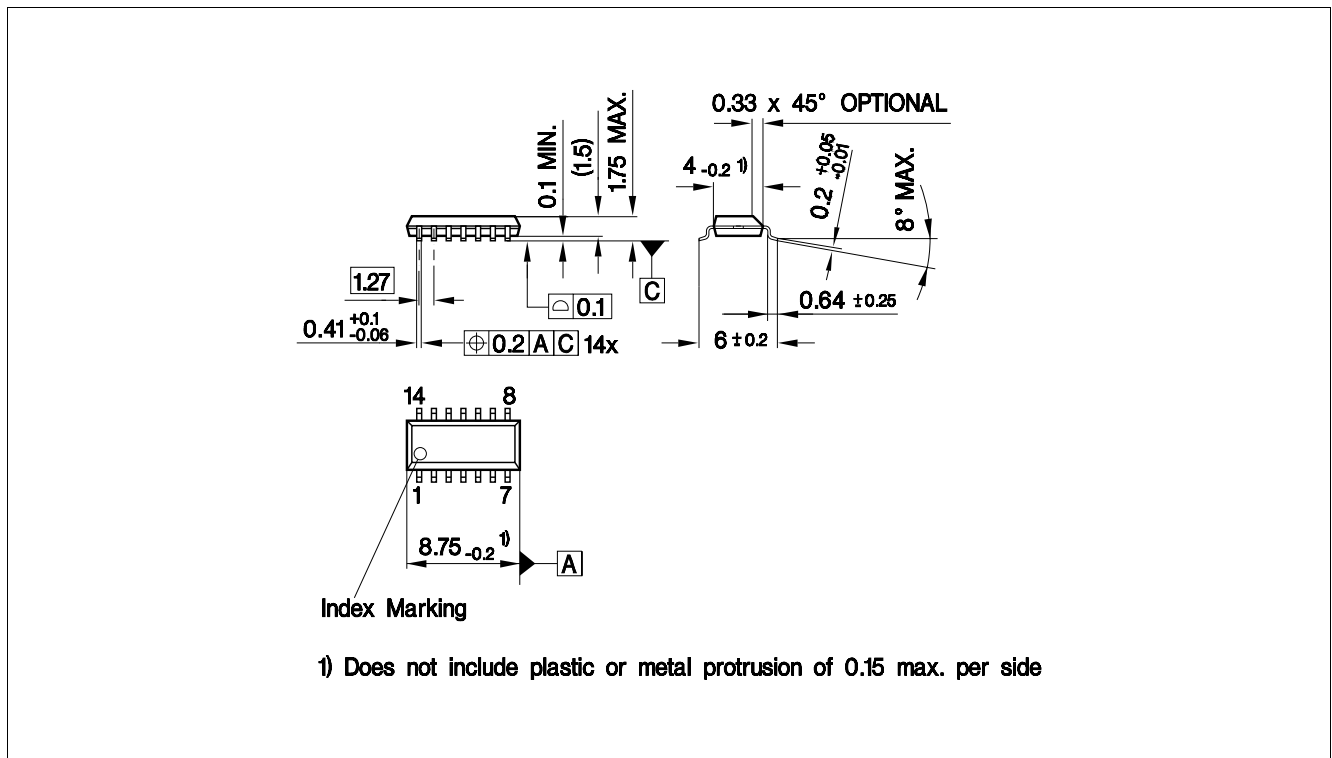
**Figure 6 Timing of the watchdog function reset**

**Package information**

**6 Package information**



**Figure 7 PG-DSO-8 (Plastic Dual Small Outline)<sup>1)</sup>**

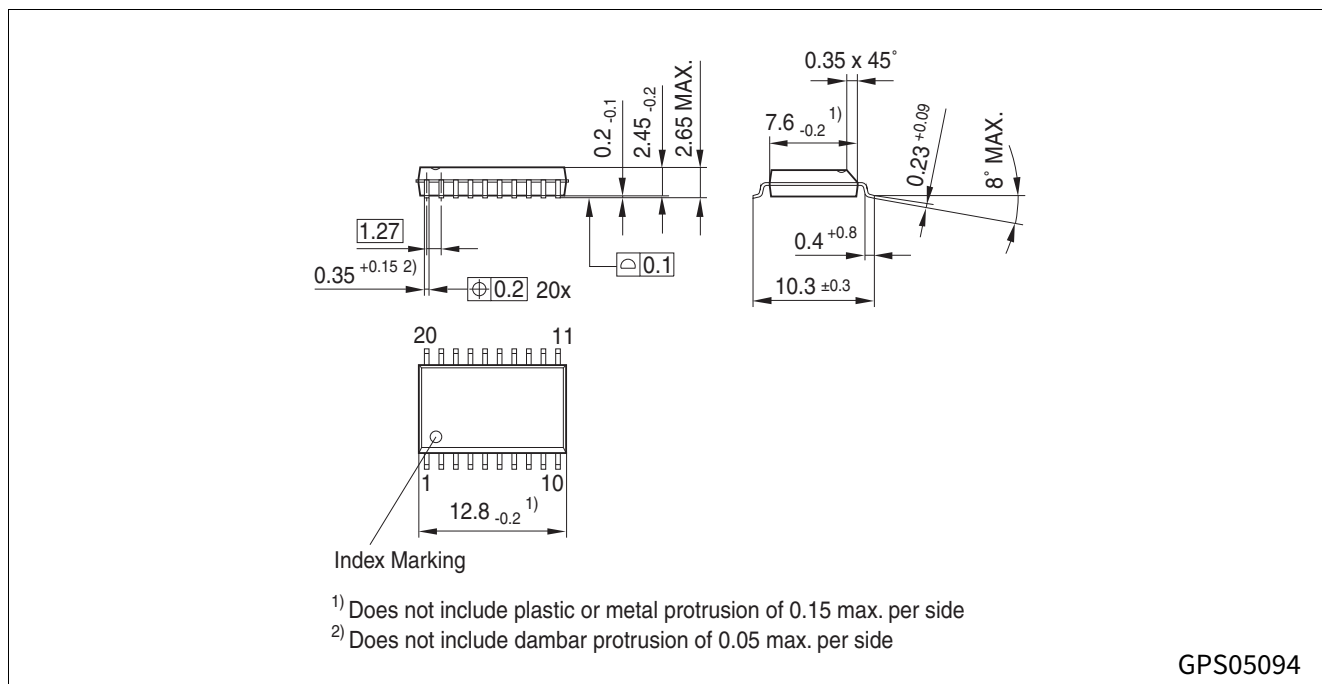


**Figure 8 PG-DSO-14 (Plastic Dual Small Outline)<sup>1)</sup>**

1) Dimension in mm



**Package information**



**Figure 9 PG-DSO-20 (Plastic Dual Small Outline)<sup>1)</sup>**

**Green Product (RoHS compliant)**

To meet the world-wide customer requirements for environmentally friendly products and to be compliant with government regulations the device is available as a green product. Green products are RoHS-Compliant (i.e Pb-free finish on leads and suitable for Pb-free soldering according to IPC/JEDEC J-STD-020).

**Further information on packages**

<https://www.infineon.com/packages>

Revision history

## 7 Revision history

Revision	Date	Changes
3.0	2018-10-04	Updated layout and structure Page 8: output current changed to output current limitation, add note $V_Q = 4.8V$ Drop voltage: added footnote Updated package drawing "PG-DSO-14" Editorial changes
2.9	2013-11-25	Package version changed: - PG-DSO-20-35 to PG-DSO-20 Package naming harmonized according to Infineon standards: - PG-DSO-8-16 to PG-DSO-8 - PG-DSO-14-30 to PG-DSO-14
2.8	2007-03-20	Initial version of RoHS-compliant derivate of TLE4263 <b>Page 1</b> : AEC certified statement added <b>Page 1</b> and <b>Page 16</b> ff: RoHS compliance statement and Green product feature added <b>Page 1</b> and <b>Page 16</b> ff: Package changed to RoHS compliant version Legal Disclaimer updated

## Trademarks

All referenced product or service names and trademarks are the property of their respective owners.

**Edition 2018-10-04**

**Published by**

**Infineon Technologies AG**

**81726 Munich, Germany**

**© 2018 Infineon Technologies AG.**

**All Rights Reserved.**

**Do you have a question about any aspect of this document?**

**Email: [erratum@infineon.com](mailto:erratum@infineon.com)**

**Document reference**

**Z8F52231383**

## IMPORTANT NOTICE

The information given in this document shall in no event be regarded as a guarantee of conditions or characteristics ("Beschaffenhheitsgarantie").

With respect to any examples, hints or any typical values stated herein and/or any information regarding the application of the product, Infineon Technologies hereby disclaims any and all warranties and liabilities of any kind, including without limitation warranties of non-infringement of intellectual property rights of any third party.

In addition, any information given in this document is subject to customer's compliance with its obligations stated in this document and any applicable legal requirements, norms and standards concerning customer's products and any use of the product of Infineon Technologies in customer's applications.

The data contained in this document is exclusively intended for technically trained staff. It is the responsibility of customer's technical departments to evaluate the suitability of the product for the intended application and the completeness of the product information given in this document with respect to such application.

For further information on technology, delivery terms and conditions and prices, please contact the nearest Infineon Technologies Office ([www.infineon.com](http://www.infineon.com)).

## WARNINGS

Due to technical requirements products may contain dangerous substances. For information on the types in question please contact your nearest Infineon Technologies office.

Except as otherwise explicitly approved by Infineon Technologies in a written document signed by authorized representatives of Infineon Technologies, Infineon Technologies' products may not be used in any applications where a failure of the product or any consequences of the use thereof can reasonably be expected to result in personal injury.

## X-ON Electronics

Largest Supplier of Electrical and Electronic Components

*Click to view similar products for [LDO Voltage Regulators](#) category:*

*Click to view products by [Infineon](#) manufacturer:*

Other Similar products are found below :

[AP7363-SP-13](#) [L79M05TL-E](#) [PT7M8202B12TA5EX](#) [TCR3DF185,LM\(CT](#) [TCR3DF24,LM\(CT](#) [TCR3DF285,LM\(CT](#) [TCR3DF31,LM\(CT](#)  
[TCR3DF45,LM\(CT](#) [MP2013GQ-33-Z](#) [059985X](#) [NCP4687DH15T1G](#) [701326R](#) [TCR2EN28,LF\(S](#) [NCV8170AXV250T2G](#)  
[TCR3DF27,LM\(CT](#) [TCR3DF19,LM\(CT](#) [TCR3DF125,LM\(CT](#) [TCR2EN18,LF\(S](#) [AP2112R5A-3.3TRG1](#) [AP7315-25W5-7](#)  
[IFX30081LDVGRNXUMA1](#) [NCV47411PAAJR2G](#) [AP2113KTR-G1](#) [AP2111H-1.2TRG1](#) [ZLDO1117QK50TC](#) [AZ1117IH-1.8TRG1](#)  
[AZ1117ID-ADJTRG1](#) [TCR3DG12,LF](#) [MIC5514-3.3YMT-T5](#) [MIC5512-1.2YMT-T5](#) [MIC5317-2.8YM5-T5](#) [SCD7912BTG](#)  
[NCP154MX180270TAG](#) [SCD33269T-5.0G](#) [NCV8170BMX330TCG](#) [NCV8170AMX120TCG](#) [NCP706ABMX300TAG](#)  
[NCP153MX330180TCG](#) [NCP114BMX075TCG](#) [MC33269T-3.5G](#) [CAT6243-ADJCMT5T](#) [TCR3DG33,LF](#) [AP2127N-1.0TRG1](#)  
[TCR4DG35,LF](#) [LT1117CST-3.3](#) [LT1117CST-5](#) [TAR5S15U\(TE85L,F\)](#) [TAR5S18U\(TE85L,F\)](#) [TCR3UG19A,LF](#) [TCR4DG105,LF](#)