

TLE4946-2L

High Precision Hall Effect Latch

About this document

Overview

The TLE4946-2L is a high precision Hall effect latch with highly accurate switching thresholds for operating temperatures up to 150°C.



Features

- 2.7 V to 18 V supply voltage operation.
- Operation from unregulated power supply.
- High sensitivity and high stability of the magnetic switching points.
- High resistance to mechanical stress by active error compensation
- Reverse battery protection ($V_S = -18\text{ V}$)
- Superior temperature stability
- Low jitter (typically 1 μs)
- High ESD performance ($\pm 4\text{ kV HBM}$)
- Digital output signal

Target applications

The TLE4946-2L is an integrated circuit Hall-effect sensor with low switching thresholds and low hysteresis. It is specially designed for high sensitivity applications and is ideally suited to detect the rotor position in a BLDC motor. Also for index counting with small pole wheels and large air gaps the sensor provides a reliable switching information.

| Product name | Product type | Ordering code | Package |
|-------------------|--------------|---------------|------------|
| Hall Effect Latch | TLE4946-2L | SP000398352 | PG-SSO-3-2 |

Table of contents

| | | |
|----------|-------------------------------------|----|
| | About this document | 1 |
| | Table of contents | 2 |
| 1 | Functional description | 3 |
| 1.1 | General | 3 |
| 1.2 | Pin configuration | 3 |
| 1.3 | Pin description | 3 |
| 1.4 | Block diagram | 4 |
| 1.5 | Operating modes and states | 4 |
| 1.6 | Functional block description | 5 |
| 2 | Specification | 6 |
| 2.1 | Application circuit | 6 |
| 2.2 | Absolute maximum ratings | 6 |
| 2.3 | Operating range | 7 |
| 2.4 | Characteristics | 7 |
| 3 | Package information | 9 |
| 3.1 | Package outline | 9 |
| 4 | Revision history | 11 |
| | Disclaimer | 12 |

1 Functional description

1 Functional description

1.1 General

Precise magnetic switching thresholds and high temperature stability are achieved by active compensation circuits and chopper techniques on chip. Offset voltages, generated by temperature induced stress or overmolding are canceled and high accuracy is achieved. The IC has an open collector output stage with 20 mA current sink capability. A wide operating voltage range from 2.7 V to 18 V with reverse polarity protection up to -18V makes the device suitable for a wide range of applications. A magnetic south pole with field strength above B_{op} turns the output on and a magnetic north pole exceeding B_{rp} turns it off.

1.2 Pin configuration

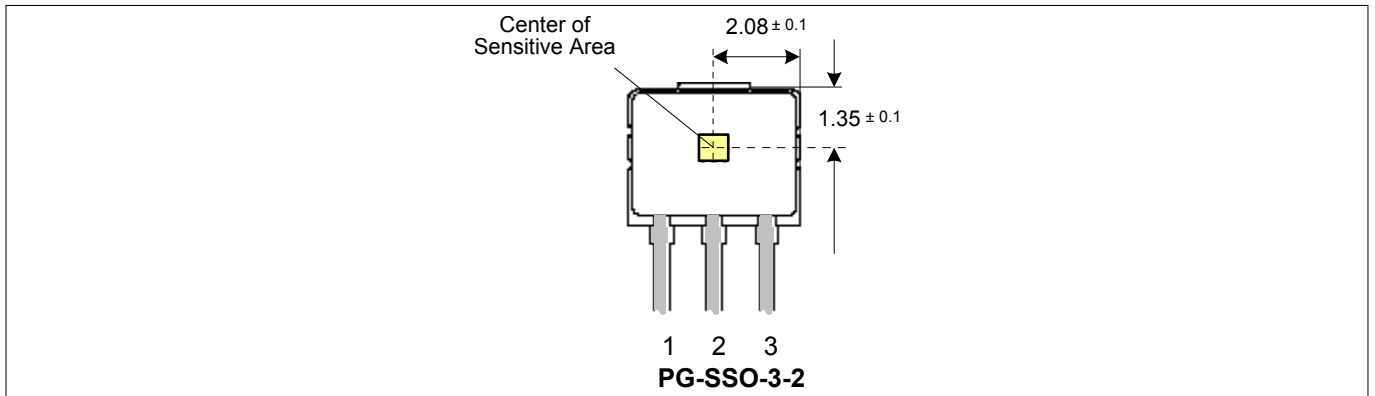


Figure 1 Pin configuration and sensitive area (Top View, Figure not to Scale)

1.3 Pin description

Table 1 Pin description

| Pin or Ball No. | Name | Pin Type | Function | Comments |
|-----------------|------|----------|----------------|----------|
| 1 | Vs | I | Supply voltage | |
| 2 | GND | O | Ground | |
| 3 | Q | O | Output | |

1 Functional description

1.4 Block diagram

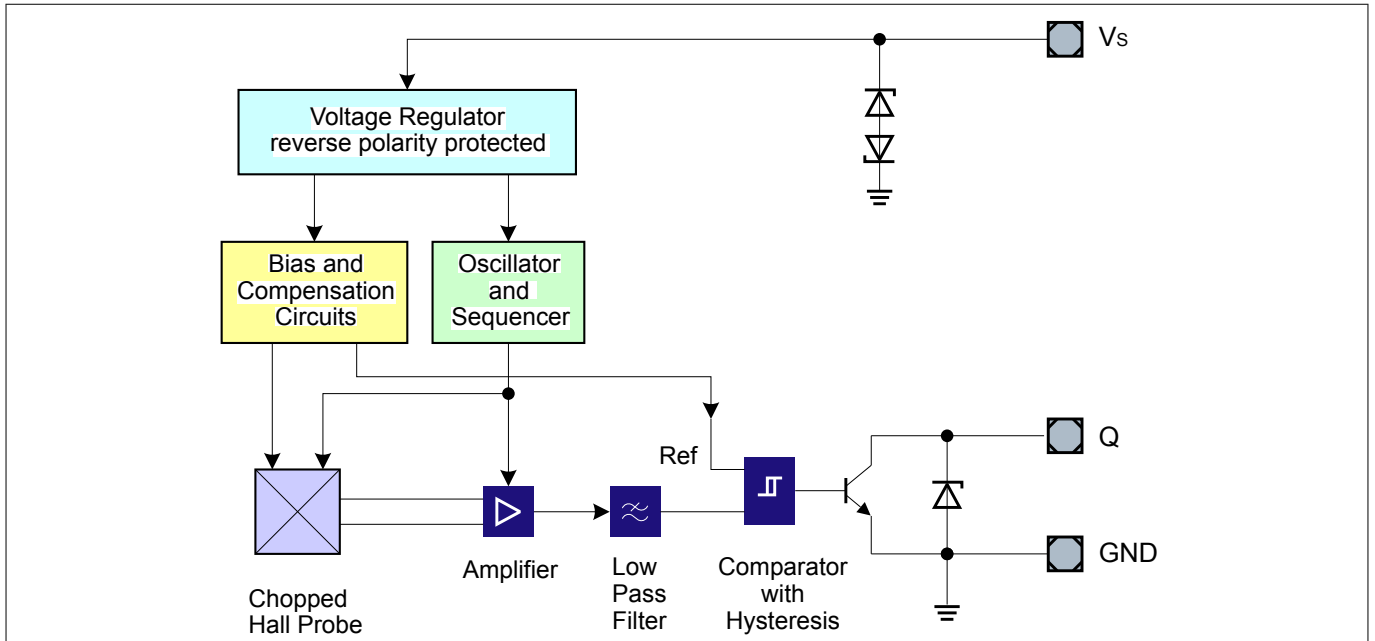


Figure 2 TLE4946-2L Block diagram

1.5 Operating modes and states

Field Direction Definition: Positive magnetic fields are related with the south pole of the magnet to the branded side of package.

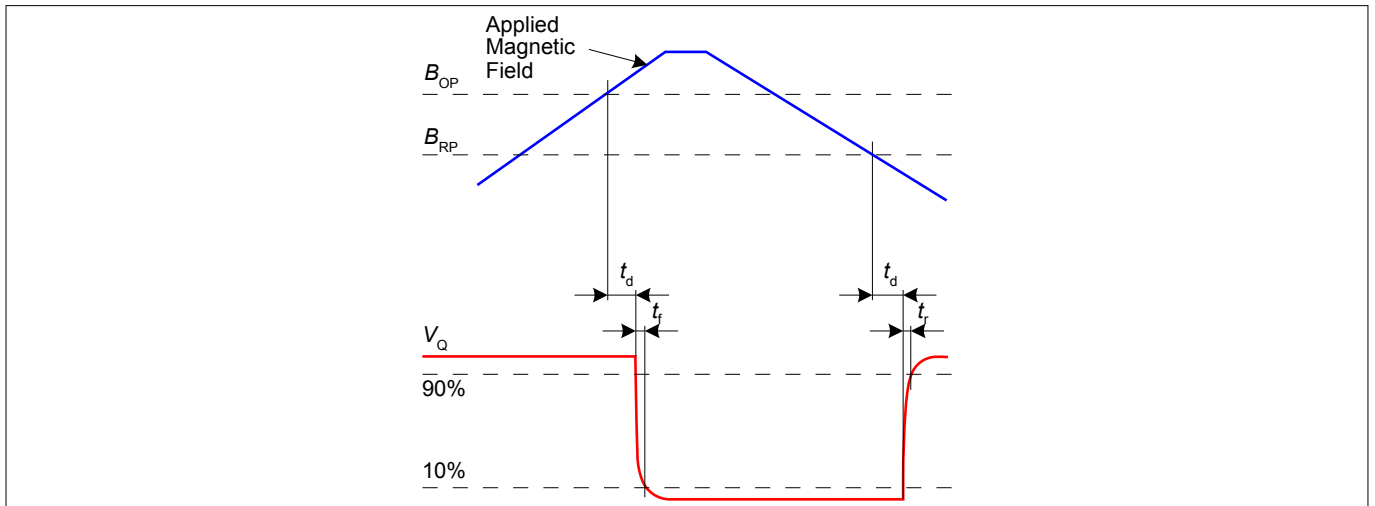


Figure 3 Timing diagram

1 Functional description

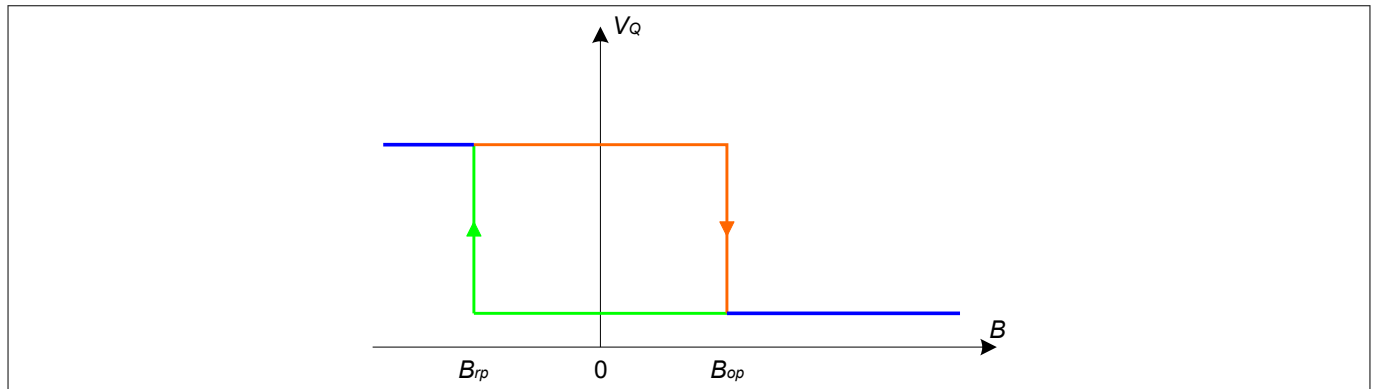


Figure 4 **Output signal**

1.6 **Functional block description**

The chopped Hall IC switch comprises a Hall probe, bias generator, compensation circuits, oscillator and output transistor. The bias generator provides currents for the Hall probe and the active circuits. Compensation circuits stabilize the temperature behavior and reduce technology variations. The Active Error Compensation rejects offsets in signal stages and the influence of mechanical stress to the Hall probe caused by molding and soldering processes and other thermal stresses in the package. This chopper technique together with the threshold generator and the comparator ensure high accurate magnetic switching points.

2 Specification

2 Specification

2.1 Application circuit

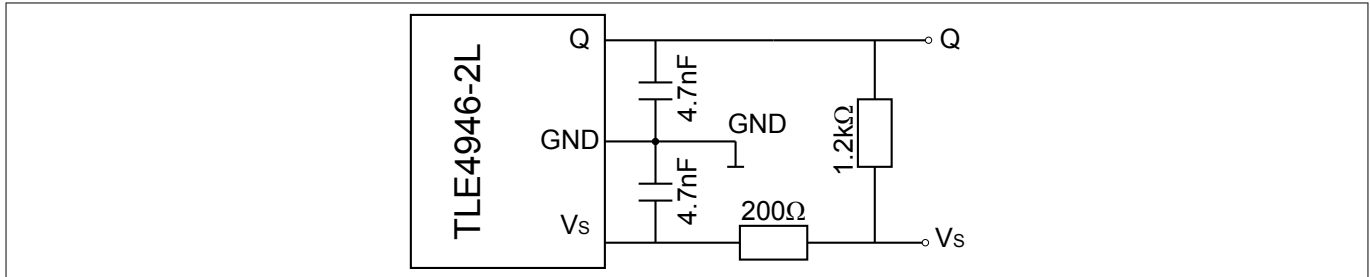


Figure 5 Application circuit

It is recommended to use a serial resistor of 200 Ω in the supply line for current limitation in the case of an overvoltage pulse. Two capacitors of 4.7 nF enhance the EMC performance. The pull-up resistor of 1.2 kΩ limits the current through the output transistor.

2.2 Absolute maximum ratings

Table 2 Absolute maximum ratings

| Parameter | Symbol | Values | | | Unit | Note/Test Condition |
|--|---------------|--------|------|-----------|------|---------------------------------|
| | | Min. | Typ. | Max. | | |
| Max. junction temperature | T_J | -40 | - | 150 | °C | |
| | | - | - | 155 | | for 2000 h (not additive) |
| | | - | - | 165 | | for 1000 h (not additive) |
| | | - | - | 175 | | for 168 h (not additive) |
| | | - | - | 195 | | for 3 x 1 h (additive) |
| Supply voltage | V_{DD} | -18 | - | 18 | V | |
| | | -18 | - | 24 | | for 1h, $R_S \geq 200 \Omega$ |
| | | -18 | - | 26 | | for 5min, $R_S \geq 200 \Omega$ |
| Supply current through protection device | I_S | -50 | - | 50 | mA | |
| Output voltage | V_Q | -0.7 | - | 18 | V | |
| | | -0.7 | - | 26 | | for 5min @ 1.2 kΩ pull up |
| Storage temperature | T_S | -40 | - | 150 | °C | |
| Magnetic flux density | B | | - | unlimited | mT | |
| ESD robustness HBM: 1.5 kΩ, 100 pF | $V_{ESD,HBM}$ | 4 | | | kV | According to EIA/JESD22-A114-B |

Attention: Stresses above the max. values listed here may cause permanent damage to the device. Exposure to absolute maximum rating conditions for extended periods may affect device reliability. Maximum ratings are absolute ratings; exceeding only one of these values may cause irreversible damage to the integrated circuit.

2 Specification

2.3 Operating range

The following operating conditions must not be exceeded in order to ensure correct operation of the TLE4946-2L. All parameters specified in the following sections refer to these operating conditions unless otherwise mentioned.

Table 3 Operating range

| Parameter | Symbol | Values | | | Unit | Note/Test Condition |
|----------------------|--------|--------|------|------|------|---------------------|
| | | Min. | Typ. | Max. | | |
| Supply voltage | V_S | 2.7 | – | 18 | V | |
| Output voltage | V_Q | -0.7 | – | 18 | V | |
| Junction temperature | T_j | -40 | – | 150 | °C | |
| Output current | I_Q | 0 | – | 20 | mA | |

2.4 Characteristics

Product characteristics involve the spread of values guaranteed within the specified voltage and ambient temperature range. Typical characteristics are the median of the production (at $V_S = 12\text{ V}$ and $T_A = 25^\circ\text{C}$).

Table 4 Electrical Characteristics

| Parameter | Symbol | Values | | | Unit | Note/Test Condition |
|-----------------------------------|-------------|--------|------|-------------------|---------------------|--|
| | | Min. | Typ. | Max. | | |
| Supply current | I_S | 2 | 4 | 6 | mA | $V_S = 2.7\text{ V} \dots 18\text{ V}$ |
| Reverse current | I_{SR} | 0 | 0.2 | 1 | mA | $V_S = -18\text{ V}$ |
| Output saturation voltage | V_{QSAT} | – | 0.3 | 0.6 | V | $I_Q = 20\text{ mA}$ |
| Output leakage current | I_{QLEAK} | – | 0.05 | 10 | μA | for $V_Q = 18\text{ V}$ |
| Output fall time | t_f | – | 0.02 | 1 | μs | $R_L = 1.2\text{ k}\Omega$; $C_L = 50\text{ pF}$ |
| Output rise time | t_r | – | 0.4 | 1 | μs | |
| Chopper frequency | f_{OSC} | – | 320 | – | kHz | |
| Switching frequency | f_{SW} | 0 | – | 15 ⁽¹⁾ | kHz | |
| Delay time ⁽²⁾ | t_d | – | 13 | – | μs | |
| Output jitter ⁽³⁾ | t_{QJ} | – | 1 | – | μs_{RMS} | Typ. value for square wave signal 1 kHz |
| Power-on time ⁽⁴⁾ | t_{PON} | – | 13 | – | μs | $V_S \geq 2.7\text{ V}$ |
| Thermal resistance ⁽⁵⁾ | R_{thJA} | – | | 190 | K/W | PG-SSO-3-2 |

- (1) To operate the sensor at the max. switching frequency, the value of the magnetic signal amplitude must be 1.4 times higher than for static fields. This is due to the -3 dB corner frequency of the low pass filter in the signal path.
- (2) Systematic delay between magnetic threshold reached and output switching
- (3) Jitter is the unpredictable deviation of the output switching delay
- (4) Time from applying $V_S \geq 2.7\text{ V}$ to the sensor until the output state is valid
- (5) Thermal resistance from junction to ambient

2 Specification

Table 5 **Magnetic characteristics**

| Parameter | Symbol | Values | | | Unit | Note/Test Condition |
|---|-----------|--------|------|------|---------------|---------------------|
| | | Min. | Typ. | Max. | | |
| Operate point | B_{OP} | 0.5 | 2.0 | 3.5 | mT | |
| Release point | B_{RP} | -3.5 | -2.0 | -0.5 | mT | |
| Hysteresis | B_{HYS} | 1.0 | 4 | 6.0 | mT | |
| Magnetic Offset ⁽¹⁾ | B_{OFF} | -1.5 | 0 | 1.5 | mT | |
| Temperature compensation of magn. thresholds | TC | | -350 | | ppm/°C | |
| Repeatability of magnetic thresholds ⁽²⁾ | B_{REP} | | 20 | | μT_{RMS} | |

(1) $B_{off} = (B_{op} + B_{rp}) / 2$

(2) B_{REP} is equivalent to the noise constant

3 Package information

3 Package information

3.1 Package outline

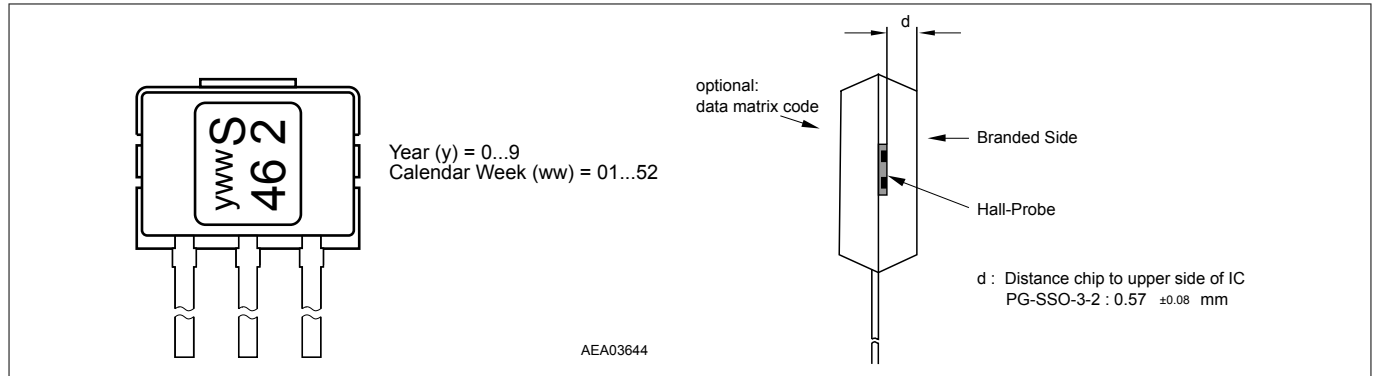


Figure 6 Marking of TLE4946-2L and Distance of chip to upper side of IC

3 Package information

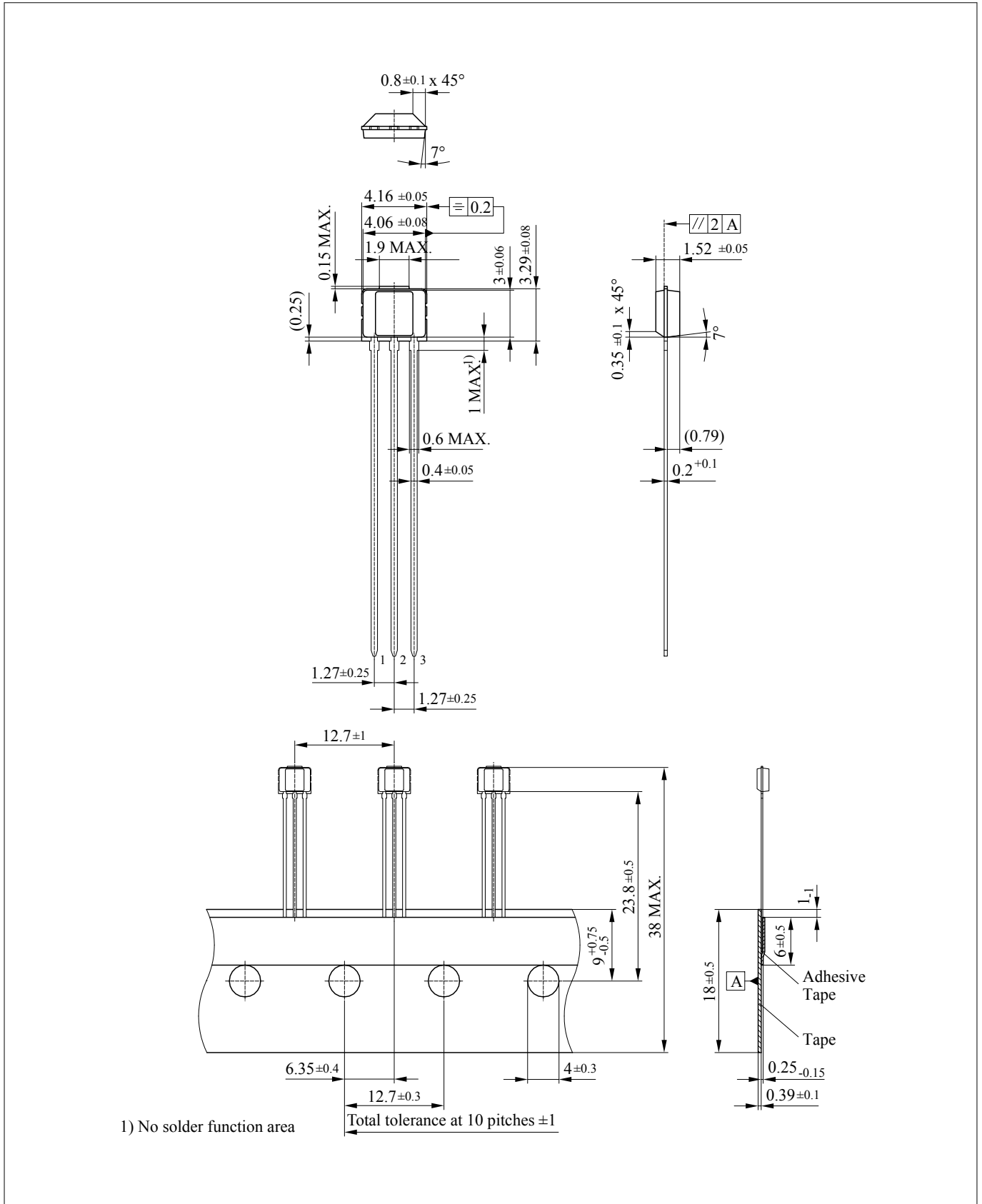


Figure 7 Package outline

4 Revision history

4 Revision history

Revision History

| Page | Subjects (major changes since last revision) |
|------------------------------------|---|
| Revision History: 2020-08, Rev 1.1 | |
| Previous Revisions: 1.0 | |
| 10 | Edited figure 6 (optional: data matrix code) |
| | |

Trademarks

All referenced product or service names and trademarks are the property of their respective owners.

Edition 2020-08

Published by

Infineon Technologies AG

81726 Munich, Germany

© 2020 Infineon Technologies AG

All Rights Reserved.

Do you have a question about any aspect of this document?

Email: erratum@infineon.com

Document reference

IFX-enm1597660844002

IMPORTANT NOTICE

The information given in this document shall in no event be regarded as a guarantee of conditions or characteristics ("Beschaffheitsgarantie").

With respect to any examples, hints or any typical values stated herein and/or any information regarding the application of the product, Infineon Technologies hereby disclaims any and all warranties and liabilities of any kind, including without limitation warranties of non-infringement of intellectual property rights of any third party.

In addition, any information given in this document is subject to customer's compliance with its obligations stated in this document and any applicable legal requirements, norms and standards concerning customer's products and any use of the product of Infineon Technologies in customer's applications.

The data contained in this document is exclusively intended for technically trained staff. It is the responsibility of customer's technical departments to evaluate the suitability of the product for the intended application and the completeness of the product information given in this document with respect to such application.

WARNINGS

Due to technical requirements products may contain dangerous substances. For information on the types in question please contact your nearest Infineon Technologies office.

Except as otherwise explicitly approved by Infineon Technologies in a written document signed by authorized representatives of Infineon Technologies, Infineon Technologies' products may not be used in any applications where a failure of the product or any consequences of the use thereof can reasonably be expected to result in personal injury.

X-ON Electronics

Largest Supplier of Electrical and Electronic Components

Click to view similar products for [Board Mount Hall Effect/Magnetic Sensors](#) category:

Click to view products by [Infineon](#) manufacturer:

Other Similar products are found below :

[HGPRDT005A](#) [AH1808-P-A](#) [AH277AZ4-AG1](#) [AV-10379](#) [AV-10448](#) [SS41C](#) [AH1894-Z-7](#) [ATS601LSGTN-HT-WU4-T](#) [ATS601LSGTN-LT-WU4-T](#) [TLE4917](#) [50017859-003](#) [TY-13101](#) [SS85CA](#) [AH277AZ4-BG1](#) [TLE49614MXTSA1](#) [AH3382-P-B](#) [AH3377-P-B](#) [AH9250-W-7](#) [AH211Z4-AG1](#) [AH3360-FT4-7](#) [SS460S-100SAMPLE](#) [50065820-03](#) [TLE4941PLUSCB](#) [AH374-P-A](#) [AH1806-P-A](#) [AH374-W-7](#) [SS460P-T2](#) [AH1912-FA-7](#) [SS413F](#) [TLE5046ICAKLRHALA1](#) [TLE49421CHAMA2](#) [TLE4941PLUSCXAMA1](#) [AH1912-W-EVM](#) [AH1903-FA-EVM](#) [AH3774-W-EVM](#) [AH49FNTR-EVM](#) [MMC5633NJL](#) [AH3360-FA-EVM](#) [AH8502-FDC-EVM](#) [AH3366Q-SA-EVM](#) [AH3774-P-EVM](#) [KTH1601SU-ST3](#) [MG910](#) [MG910M](#) [MG911](#) [MG610](#) [MW921](#) [MW922](#) [TLE4998S3XALA1](#) [TLE5011FUMA1](#)