

# TLE92108-232QX

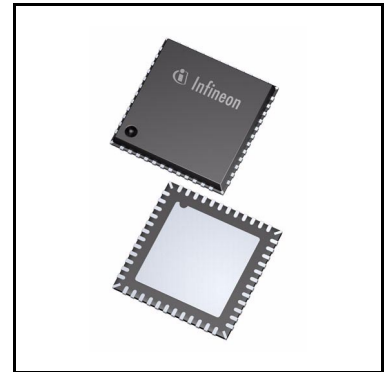
## Multiple MOSFET Driver IC



### 1 Overview

#### Features

- Eight half-bridge gate drivers for external N-channel MOSFETs
- Control of reverse battery protection MOSFET
- Adaptive MOSFET gate control
  - Improved electromagnetic emission
  - Reduced switching losses in PWM mode
- 24-bit Serial Peripheral Interface
- Two current sense amplifiers with configurable gain
  - High-side and low-side capable for protection and diagnosis
- Drain-source monitoring for short circuit detection
- Overtemperature warning and shutdown
- Timeout watchdog
- Detailed off-state diagnostic (open load, short circuit to battery or short circuit to GND) via SPI
- Three PWM inputs
  - High-side and low-side PWM capable
  - Active free-wheeling
  - Up to 25 kHz PWM frequency
- Low current consumption in sleep mode
- Configurable low-side 1-4 brake with short circuit detection in sleep mode and normal mode
- Configurable VS overvoltage detection in sleep mode
- Leadless power package with support of optical lead tip inspection
- Green Product (RoHS compliant)
- AEC Qualified



#### Potential applications

- Seat control and extended functions (steering column adjustment, gas pedal adjustment)
- Power lift gate
- Central door lock
- Body control module (cargo cover, washer pump, window lift, rear wiper ...)

## Overview

## Product validation

Qualified for automotive applications. Product validation according to AEC-Q100.

## Description

The TLE92108-232QX is a Multi-MOSFET driver IC dedicated to control up to sixteen n-channel MOSFETs. It includes eight half-bridges for DC motor control applications such as automotive power seat control or other applications.

A 24-bit Serial Peripheral Interface (SPI) is used to configure the TLE92108-232QX and to control the half-bridges. It also allows the read out of the status registers for diagnostic purpose.

The TLE92108-232QX offers a wide range of diagnostic features such as the monitoring of the supply voltage, the charge pump voltage, temperature warning and over-temperature shutdown. Each gate driver monitors independently its external MOSFET drain-source voltage for fault conditions.

The device is housed in a VQFN-48 with exposed pad supporting lead tip inspection. The package provides a good thermal performance and minimizes the required PCB space.

Type	Package	Marking
TLE92108-232QX	PG-VQFN-48	TLE92108-232QX

## Table of contents

<b>1</b>	<b>Overview</b> .....	<b>1</b>
<b>2</b>	<b>Block diagram</b> .....	<b>4</b>
2.1	Voltage and current definition .....	5
<b>3</b>	<b>Pin configuration</b> .....	<b>6</b>
3.1	Pin assignment .....	6
3.2	Pin definitions and functions .....	7
<b>4</b>	<b>General product characteristics</b> .....	<b>9</b>
4.1	Absolute maximum ratings .....	9
4.2	Functional range .....	10
4.3	Thermal resistance .....	12
<b>5</b>	<b>General description</b> .....	<b>13</b>
5.1	Power supply .....	13
5.2	Operation modes .....	13
5.2.1	Normal mode .....	13
5.2.2	Sleep mode .....	14
5.2.3	Fail Safe Mode .....	14
5.3	Reset behavior .....	15
5.4	Charge pump .....	16
5.5	Frequency modulation .....	16
5.6	Electrical characteristics .....	17
5.6.1	Electrical characteristics: supply .....	17
5.6.2	Electrical characteristics: logic inputs PWMx, EN .....	20
5.6.3	Electrical characteristics charge pump .....	20
<b>6</b>	<b>Floating gate drivers</b> .....	<b>22</b>
<b>7</b>	<b>Protections and diagnostics</b> .....	<b>23</b>
<b>8</b>	<b>Serial Peripheral Interface - SPI</b> .....	<b>24</b>
8.1	SPI protocol with independent slave selection .....	24
8.2	Global Error Flag (GEF) .....	26
8.3	Global status byte .....	26
8.4	SPI error detection .....	28
8.5	Daisy chain .....	29
8.6	SPI electrical characteristics: timings .....	33
<b>9</b>	<b>Register specification</b> .....	<b>36</b>
<b>10</b>	<b>Application information</b> .....	<b>37</b>
<b>11</b>	<b>Package outlines</b> .....	<b>39</b>
<b>12</b>	<b>Revision History</b> .....	<b>40</b>

Block diagram

2 Block diagram

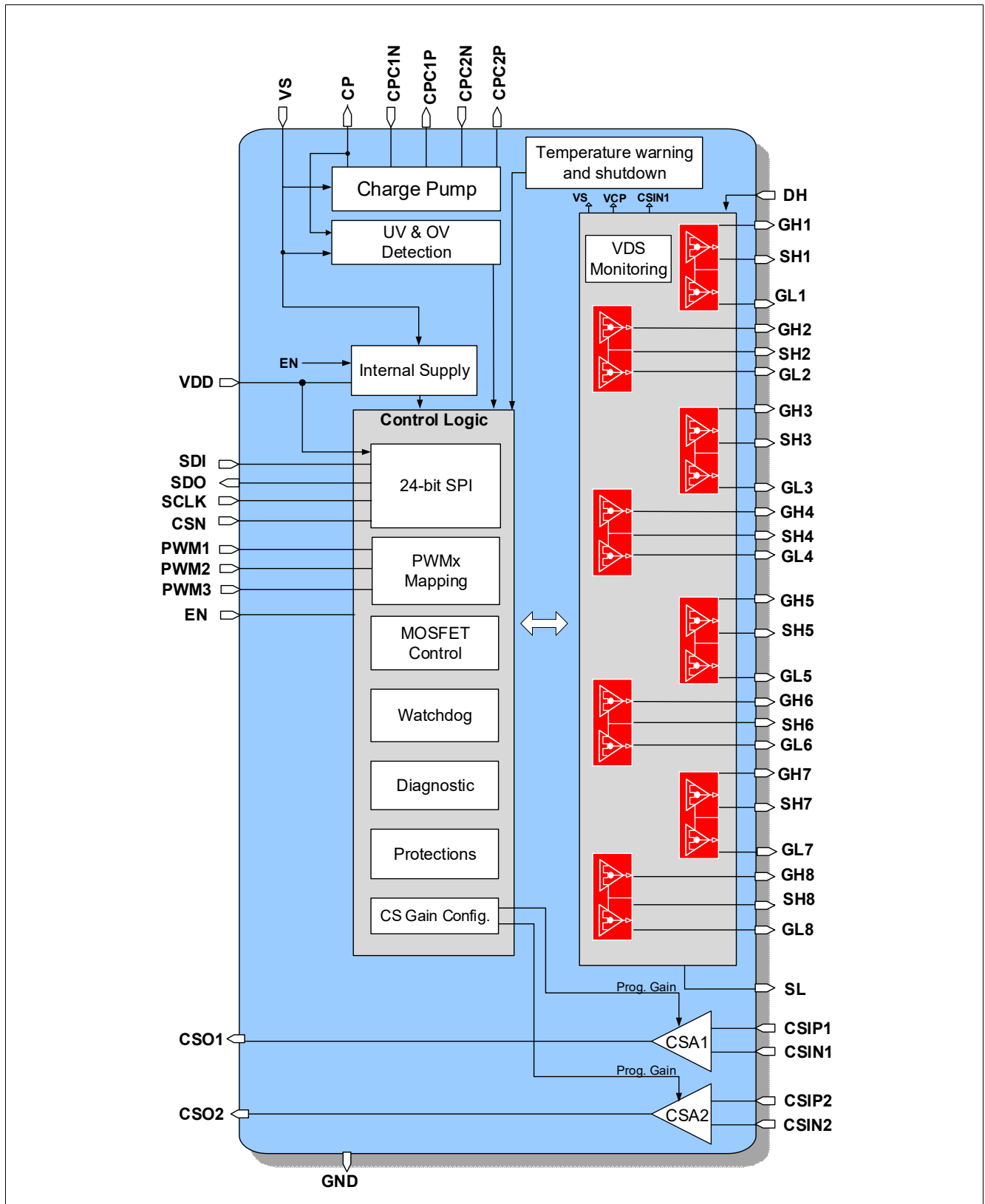


Figure 1 Block diagram

Block diagram

2.1 Voltage and current definition

Figure 2 shows terms used in this datasheet, with associated convention for positive value.

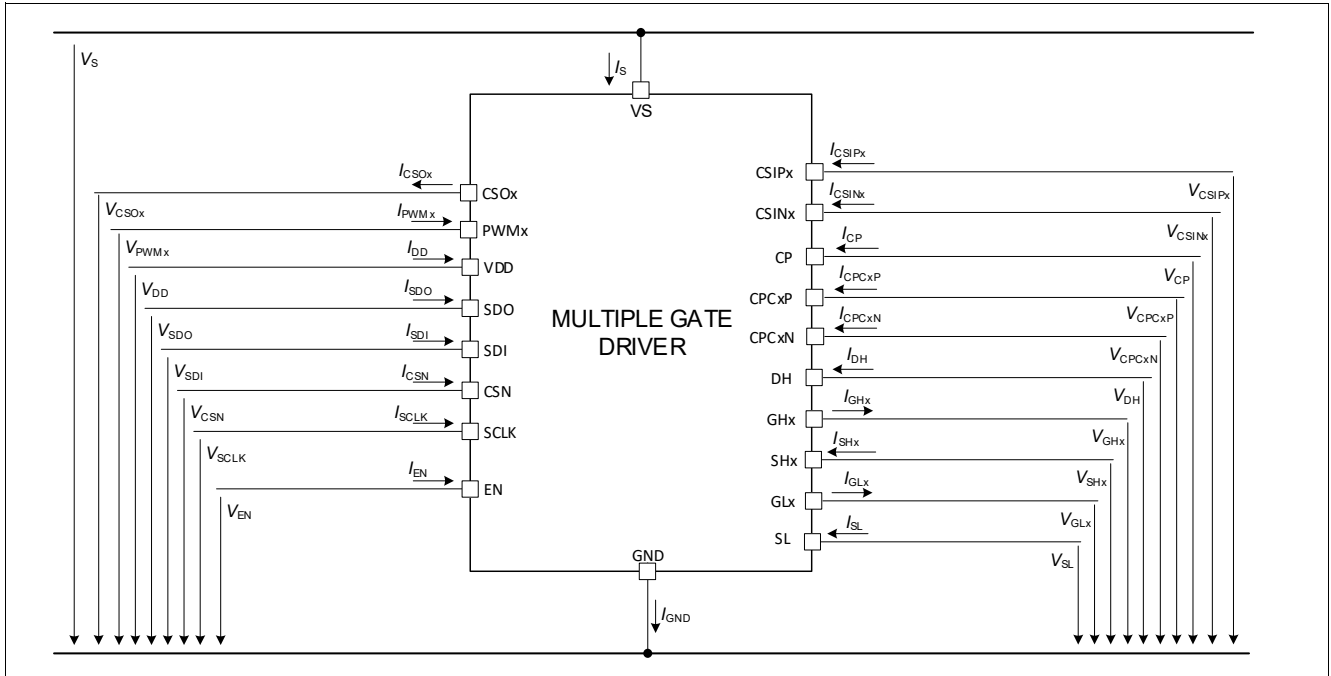


Figure 2 Voltage and current definition

Pin configuration

### 3 Pin configuration

#### 3.1 Pin assignment

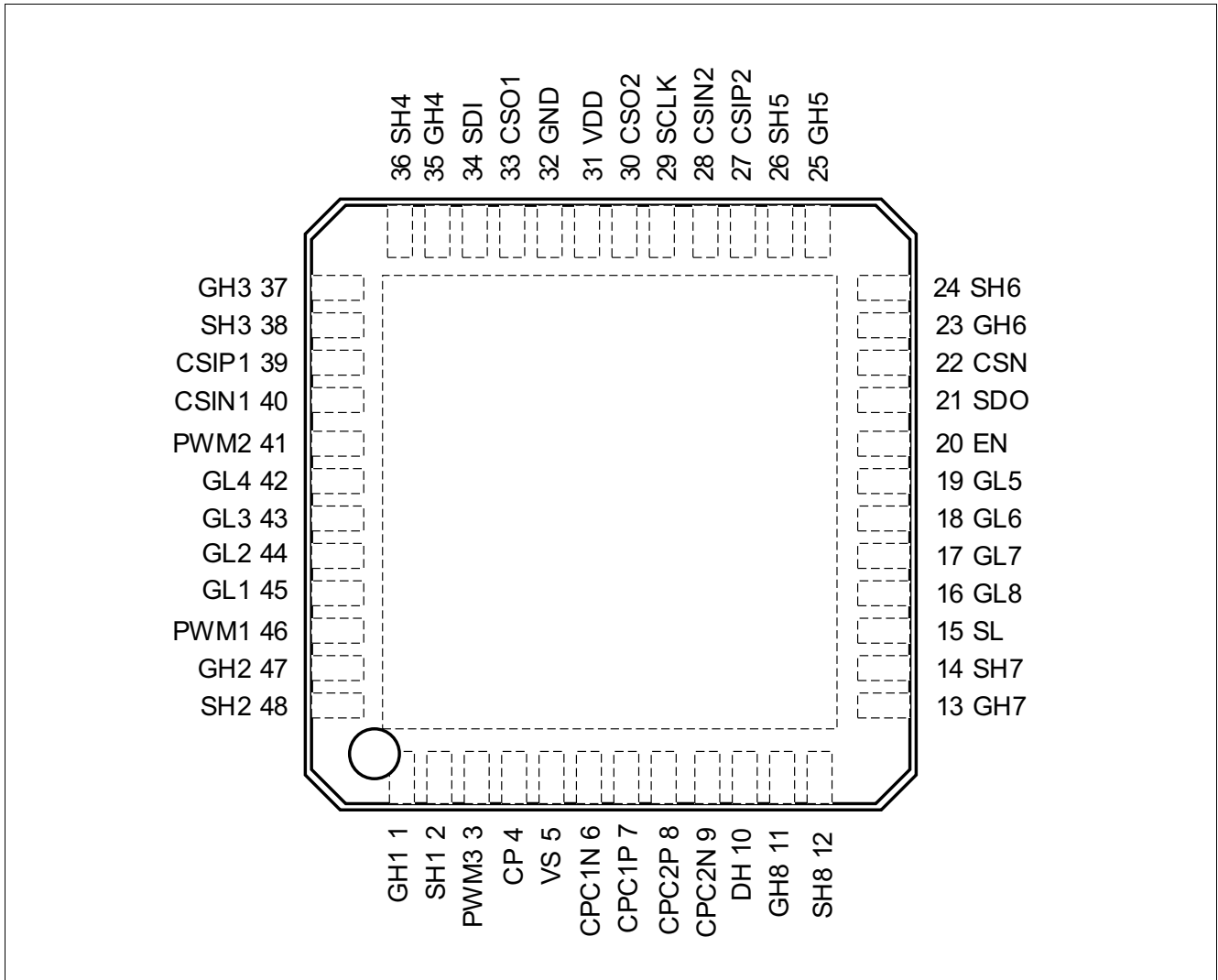


Figure 3 Pin configuration TLE92108-232QX

**Pin configuration**

**3.2 Pin definitions and functions**

**Table 1 Pin configuration TLE92108-232QX**

Pin	Symbol	Function
1	GH1	<b>Gate high-side 1</b> Analog I/O pin to turn on/off high-side MOSFET 1. Connect to the gate of high-side MOSFET 1.
2	SH1	<b>Source high-side 1</b> Connection to source of high-side MOSFET 1.
3	PWM3	<b>PWM input 3</b>
4	CP	<b>Charge Pump Output</b>
5	VS	<b>Supply Voltage</b> Device supply voltage. Connect this pin to the supply (battery) voltage with a reverse battery protection circuit.
6	CPC1N	<b>Negative connection to Charge Pump Capacitor 1</b>
7	CPC1P	<b>Positive connection to Charge Pump Capacitor 1</b>
8	CPC2P	<b>Positive connection to Charge Pump Capacitor 2</b>
9	CPC2N	<b>Negative connection to Charge Pump Capacitor 2</b>
10	DH	<b>Drain input for high-sides</b> Input for the drains of high-side MOSFETs. Refer to <a href="#">Chapter 7.3</a> .
11	GH8	<b>Gate high-side 8</b>
12	SH8	<b>Source high-side 8</b>
13	GH7	<b>Gate high-side 7</b>
14	SH7	<b>Source high-side 7</b>
15	SL	<b>Source low-side</b> Common connection to the source of the low-side MOSFETs.
16	GL8	<b>Gate low-side 8</b>
17	GL7	<b>Gate low-side 7</b>
18	GL6	<b>Gate low-side 6</b>
19	GL5	<b>Gate low-side 5</b>
20	EN	<b>Enable input</b> with internal pull-down
21	SDO	<b>Serial Data Output</b>
22	CSN	<b>Chip Select Not</b> with internal pull-up
23	GH6	<b>Gate high-side 6</b>
24	SH6	<b>Source high-side 6</b>
25	GH5	<b>Gate high-side 5</b>
26	SH5	<b>Source high-side 5</b>
27	CSIP2	<b>Non-Inverting input of the Current Sense Amplifier 2</b>
28	CSIN2	<b>Inverting input of the Current Sense Amplifier 2</b>
29	SCLK	<b>Serial Clock Input</b> with internal pull-down
30	CSO2	<b>Current Sense Amplifier Output 2</b>

**Pin configuration**

**Table 1 Pin configuration TLE92108-232QX**

Pin	Symbol	Function
31	VDD	<b>Logic supply</b>
32	GND	<b>Ground connection</b>
33	CSO1	<b>Current Sense Amplifier Output1</b>
34	SDI	<b>Serial Data Input</b> with internal pull-down
35	GH4	<b>Gate high-side 4</b>
36	SH4	<b>Source high-side 4</b>
37	GH3	<b>Gate high-side 3</b>
38	SH3	<b>Source high-side 3</b>
39	CSIP1	<b>Non-inverting input of the Current Sense Amplifier 1</b>
40	CSIN1	<b>Inverting input of the Current Sense Amplifier 1</b> . This pin can be used as reference for the high-side MOSFET drain if CSA1 is configured as high-side. Refer to <a href="#">Chapter 7.3</a>
41	PWM2	<b>PWM input 2</b>
42	GL4	<b>Gate low-side 4</b>
43	GL3	<b>Gate low-side 3</b>
44	GL2	<b>Gate low-side 2</b>
45	GL1	<b>Gate low-side 1</b>
46	PWM1	<b>PWM input 1</b>
47	GH2	<b>Gate high-side 2</b>
48	SH2	<b>Source high-side 2</b>
	E.P.	<b>Exposed pad</b> For cooling purpose only, do not use as electrical GND <sup>1)</sup> .

1) The exposed pad at the bottom of the package allows better power dissipation from TLE92108-232QX via the PCB. The exposed pad must be left floating or connected to GND (recommended) for best EMC and thermal performance.



General product characteristics

## 4 General product characteristics

### 4.1 Absolute maximum ratings

**Table 2 Absolute maximum ratings<sup>1)</sup>**

$T_j = -40^\circ\text{C}$  to  $150^\circ\text{C}$ ; all voltages with respect to ground, positive current flowing into pin (unless otherwise specified)

Parameter	Symbol	Values			Unit	Note or Test Condition	Number
		Min.	Typ.	Max.			
<b>Voltages</b>							
Supply voltage	$V_S$	-0.3	-	40	V	-	P_4.1.1
PWM input voltages (PWMx)	$V_{\text{PWMx}}$	-0.3	-	$V_{\text{DD}} + 0.3$	V	$ I  < 10 \text{ mA}$	P_4.1.2
Logic input voltages (SDI, SCLK, CSN, EN)	$V_{\text{SDI}}, V_{\text{SCLK}}, V_{\text{CSN}}, V_{\text{EN}}$	-0.3	-	$V_{\text{DD}} + 0.3$	V	$ I  < 10 \text{ mA}$	P_4.1.3
Voltage range and SDO	$V_{\text{SDO}}$	-0.3	-	$V_{\text{DD}} + 0.3$	V	$ I  < 10 \text{ mA}$	P_4.1.4
Voltage range at CSIPx and CSINx	$V_{\text{CSIP}}, V_{\text{CSIN}}$	-8.0	-	40	V	-	P_4.1.5
Differential input voltage range CSIPx - CSINx	$V_{\text{CSIDiff}}$	-8.0	-	8.0	V	-	P_4.1.21
Voltage range at DH	$V_{\text{DH}}$	-0.3	-	40	V	-	P_4.1.6
Voltage range at SL	$V_{\text{SL}}$	-8.0	-	6.0	V	-	P_4.1.7
Voltage range at SHx	$V_{\text{SH}}$	-8.0	-	48	V	-	P_4.1.8
Voltage range at GHx	$V_{\text{GH}}$	-8.0	-	48	V	-	P_4.1.9
Voltage range at GLx	$V_{\text{GL}}$	-8.0	-	24	V	-	P_4.1.10
Voltage difference between GLx and SL	$V_{\text{GS\_LS}}$	-0.3	-	16	V	-	P_4.1.11
Voltage difference between GHx and SHx	$V_{\text{GS\_HS}}$	-1.0	-	16	V	<sup>2)</sup>	P_4.1.23
Voltage range at charge pump pins CP	$V_{\text{CP}}$	$V_S - 0.3$	-	$V_S + 15$	V	-	P_4.1.12
Voltage range at charge pump pins CPC1N, CPC1P, CPC2N, CPC2P	$V_{\text{CPCx}}$	$V_{\text{CP}} - 0.3$	-	$V_{\text{CP}} + 0.3$	V	-	P_4.1.22
Logic supply voltage	$V_{\text{DD}}$	-0.3	-	5.5	V	-	P_4.1.13
Voltage at CSOx	$V_{\text{CSOx}}$	-0.3	-	$V_{\text{DD}} + 0.3$	V	-	P_4.1.14
<b>Temperatures</b>							
Junction temperature	$T_j$	-40	-	150	$^\circ\text{C}$	-	
Storage temperature	$T_{\text{stg}}$	-55	-	150	$^\circ\text{C}$	-	P_4.1.16

**General product characteristics**

**Table 2 Absolute maximum ratings<sup>1)</sup>** (cont'd)

$T_j = -40^\circ\text{C}$  to  $150^\circ\text{C}$ ; all voltages with respect to ground, positive current flowing into pin (unless otherwise specified)

Parameter	Symbol	Values			Unit	Note or Test Condition	Number
		Min.	Typ.	Max.			
<b>ESD susceptibility</b>							
ESD susceptibility all pins	$V_{\text{ESDHBM1}}$	-2	-	2	kV	HBM <sup>3)</sup>	P_4.1.17
ESD susceptibility of VS and DH pins versus GND	$V_{\text{ESDHBM2}}$	-4	-	4	kV	HBM <sup>3)</sup>	P_4.1.18
ESD susceptibility all pins	$V_{\text{ESDCDM1}}$	-500	-	500	V	CDM <sup>4)</sup>	P_4.1.19
ESD susceptibility pin corner pins	$V_{\text{ESDCDM2}}$	-750	-	750	V	CDM <sup>4)</sup>	P_4.1.20

1) Not subject to production test, specified by design.

2)  $V_{\text{GS\_GH}}$  may be between -1.0 and -0.3V only if the current injected into SHx is below 4 mA

3) ESD susceptibility, HBM according to ANSI/ESDA/JEDEC JS001 (1.5 kΩ, 100 pF).

4) ESD susceptibility, Charged Device Model "CDM" according JEDEC JESD22-C101.

**Notes**

1. Stresses above the ones listed here may cause permanent damage to the device. Exposure to absolute maximum rating conditions for extended periods may affect device reliability.
2. Integrated protection functions are designed to prevent IC destruction under fault conditions described in the data sheet. Fault conditions are considered as "outside" normal operating range. Protection functions are not designed for continuous repetitive operation.

**4.2 Functional range**

**Table 3 Functional range**

Parameter	Symbol	Values			Unit	Note or Test Condition	Number
		Min.	Typ.	Max.			
Supply voltage range for normal operation	$V_{\text{S(nor)}}$	6.0	-	28	V	-	P_4.2.1
Extended supply voltage range	$V_{\text{S(ext)}}$	5.5	-	6	V	<sup>1)</sup> Parameter deviations possible	P_4.2.7
Extended supply voltage range	$V_{\text{S(ext)}}$	28	-	$V_{\text{SOV\_OFF2(max)}}$	V	<sup>1)</sup> Parameter deviations possible	P_4.2.2
Supply voltage transients slew rate	$dV_{\text{c}}/dt$	-10	-	10	V/ $\mu\text{s}$	<sup>1)</sup>	P_4.2.3
Logic supply voltage	$V_{\text{DD}}$	3.0	-	5.5	V	-	P_4.2.4
SPI logic input voltage	$V_{\text{SDI}}$ , $V_{\text{SCLK}}$ , $V_{\text{CSN}}$	0	-	$V_{\text{DD}}$	V	-	P_4.2.5
Junction temperature	$T_j$	-40	-	150	$^\circ\text{C}$	-	P_4.2.6

**General product characteristics**

1) Not subject to production test, specified by design.

*Note: Within the functional or operating range, the IC operates as described in the circuit description. The electrical characteristics are specified within the conditions given in the Electrical Characteristics table.*

**General product characteristics**

**4.3 Thermal resistance**

*Note:* This thermal data was generated in accordance with JEDEC JESD51 standards. For more information, go to [www.jedec.org](http://www.jedec.org).

**Table 4 Thermal resistance**

Parameter	Symbol	Values			Unit	Note or Test Condition	Number
		Min.	Typ.	Max.			
Junction to case	$R_{thJC}$	–	4.4	–	K/W	1)	
Junction to ambient	$R_{thJA}$	–	27	–	K/W	1)2)	

1) Not subject to production test, specified by design.

2) Specified  $R_{thJA}$  value is according to Jedec JESD51-2,-5,-7 at natural convection on FR4 2s2p board; The Product (Chip+Package) was simulated on a 76.2 × 114.3 × 1.5 mm board with 2 inner copper layers (2 × 70 mm Cu, 2 × 35 mm Cu). Where applicable a thermal via array under the exposed pad contacted the first inner copper layer.

General description

## 5 General description

### 5.1 Power supply

The Multiple MOSFET Driver IC requires two power supplies:  $V_S$  and  $V_{DD}$ .

$V_{DD}$  supplies the I/O buffers (including the SPI pins) and the internal voltage regulator for the logic.  $V_{DD}$  allows the flexibility of a 3.3 V or a 5.0 V logic interface.

$V_S$  supplies the charge pump for the MOSFET gate drivers. The  $V_S$  pin must be connected to the battery through a reverse battery protection.

Both supplies are separated so that the information stored in the logic remains intact in the event of voltage drop on  $V_S$ .  $V_{DD}$  and  $V_S$  should be decoupled with ceramic capacitors connected close to the supply and ground planes.

### 5.2 Operation modes

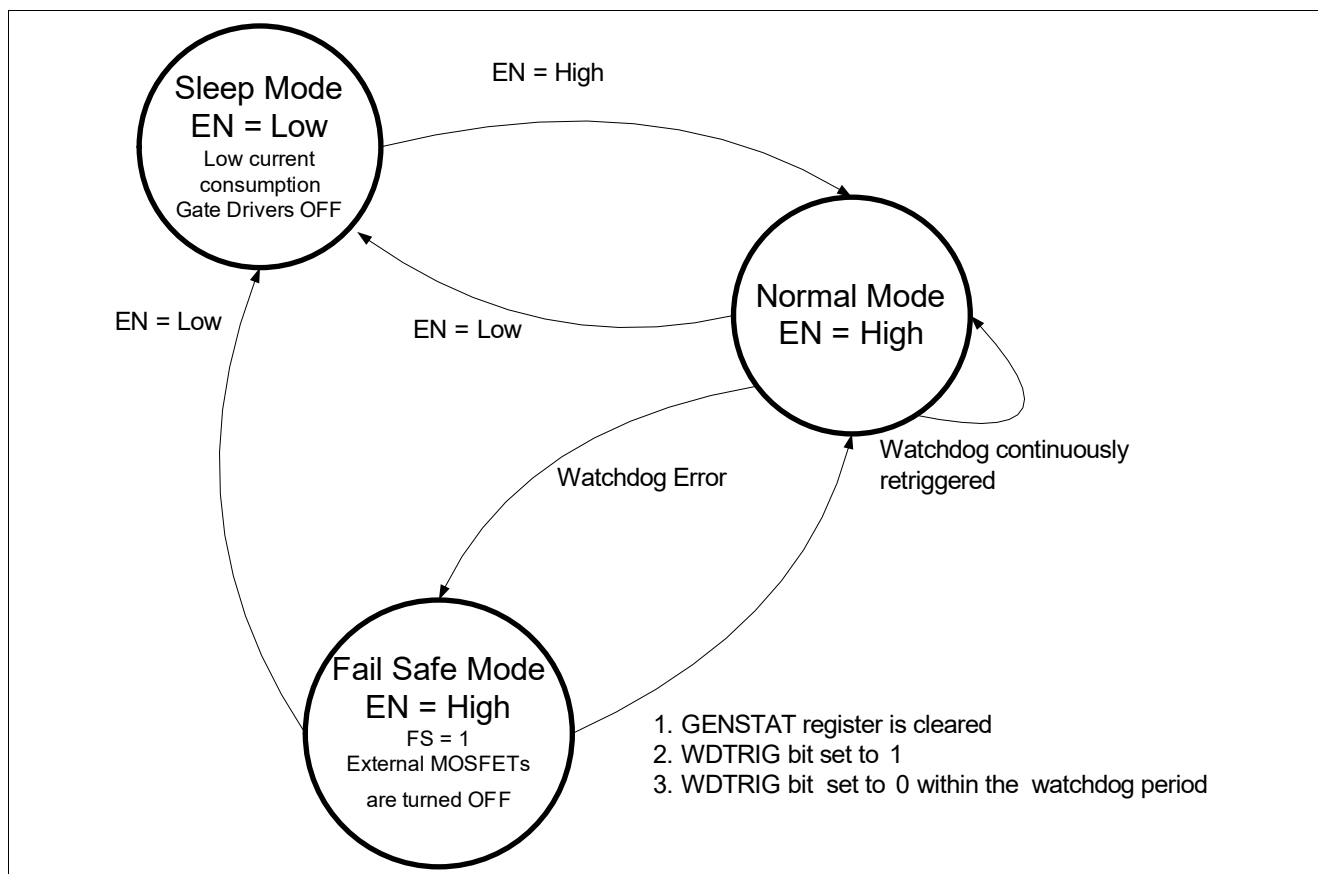


Figure 4 State diagram

Note: The state diagram is valid for  $V_S$  and  $V_{DD}$  within the nominal operating range. For  $V_S$  and  $V_{DD}$  outside of the nominal range, refer to [Chapter 7.8](#), respectively [Chapter 5.2.2](#).

#### 5.2.1 Normal mode

The TLE92108-232QX enters Normal Mode by setting EN pin to High and waiting for the SPI setup time  $t_{SET\_SPI}$ . In normal mode, the MOSFET gate drivers are enabled and can be configured through the SPI interface,

## General description

provided that the voltages applied to  $V_{DD}$  and  $V_S$  are within the operating range. The watchdog must be retriggered correctly in order to stay in Normal Mode (see [Chapter 7.10](#)).

### 5.2.2 Sleep mode

The Multiple MOSFET Driver IC enters Sleep Mode by setting EN pin to Low. The transition to the sleep mode is delayed by  $t_{DSLEEP}$ <sup>1)</sup> (max tCCP of active half-bridges + 3  $\mu$ s) in order to actively turn-off the external MOSFETs. In this mode, the internal regulator and the internal circuitry are deactivated, and the SPI registers are reset.

The current consumption of  $V_{DD}$  is reduced to  $I_{DD\_Q}$ . The current consumption of  $V_S$  is reduced to  $I_{SQ}$  or  $I_{SQ} + I_{SQ\_BRAKE}$ .

The  $V_S$  current consumption is  $I_{SQ}$  if:

- **PASS\_MOD** = 00<sub>B</sub> and **PASS\_VDS** = 0<sub>B</sub> while entering sleep mode
- and  $V_S$  never drops below  $V_{SLEEP\_SET}$  after entering sleep mode

The  $V_S$  current consumption is  $I_{SQ} + I_{SQ\_BRAKE}$  if:

- **PASS\_MOD** = 01<sub>B</sub>, 10<sub>B</sub>, 11<sub>B</sub> or **PASS\_VDS** = 1<sub>B</sub> while entering sleep mode
- or  $V_S$  has recovered from a voltage below  $V_{SLEEP\_SET}$  (i.e.  $V_S$  has ramped up from a voltage below  $V_{SLEEP\_SET}$  or  $V_S$  has dropped below  $V_{SLEEP\_SET}$ )

The internal resistors  $R_{GGND}$  between GHx/GLx and GND are activated to discharge the gate of the external MOSFETs.

*Note: If EN is set to Low for a duration shorter than ( $t_{ENL\_FLT}$ , 8  $\mu$ s max.), and EN is set to High again, then device does not go in sleep mode and the registers are not reset. The half-bridges are reactivated according to the settings of the control registers when EN is High.*

### 5.2.3 Fail Safe Mode

In case of watchdog error (see [Chapter 7.10](#)), the device enters Fail Safe Mode, FS bit is set (see [Global status byte](#)) and the external MOSFETs are actively discharged with the static discharge current ([Chapter 6.2](#)) during the max. configured tHBxCCP active ([Chapter 7.5.1](#)). Then the bridge driver is set to passive mode (the passive discharge path is activated, [Chapter 6.4](#), all external MOSFETs are latched off, and the charge pump is deactivated). To resume Normal Mode the microcontroller must execute the following sequence<sup>2)</sup>:

1. Clear **GENSTAT** register.
2. Write WDTRIG bit to 1 (**GENCTRL1**) within the watchdog period.
3. Write WDTRIG bit to 0 within the watchdog period<sup>3)</sup>.

In fail safe mode, the control registers are frozen to their default value, at the exception of **WDTRIG**, **CCSO**, **PASS\_VDS**, **PASS\_MOD**, **CSA1L**, **CSA2L**. Any write command (except for WDTRIG bit) or clear command (except for GENSTAT) will be discarded in this mode and sets SPIE bit ([Global status byte](#)).

A clear command to **GENSTAT** in fail safe mode does not reset any failure flag reported by this status register.

1) SPI Frames are ignored during  $t_{DSLEEP}$ .

2) The exit sequence must be strictly followed to leave fail safe mode. If a SPI frame not belonging to the sequence is added, then the device stays in fail safe mode and the microcontroller must restart the complete sequence to enter normal mode.

3) During Fail Safe Mode, the charge pump is deactivated and **CPUV** is set. Therefore, recovering from Fail Safe Mode, **GENSTAT** must be cleared again at the end of the Fail Safe exit sequence to re-activate of the gate drivers.

## General description

The control and status registers can be read in this mode before the start of the exit sequence without SPIE bit being set.

### 5.3 Reset behavior

The following events trigger a Power On Reset:

#### **V<sub>DD</sub> undervoltage reset:**

If  $V_{DD} < V_{DD\ PoffR}$  the digital block is deactivated and the outputs are switched off. The digital block is reset once  $V_{DD} > V_{DD\ POR}$ . Then NPOR bit (negated power-on reset bit, see [Global status byte](#)) is reset to 0 to report the reset condition.

#### **Reset on EN pin:**

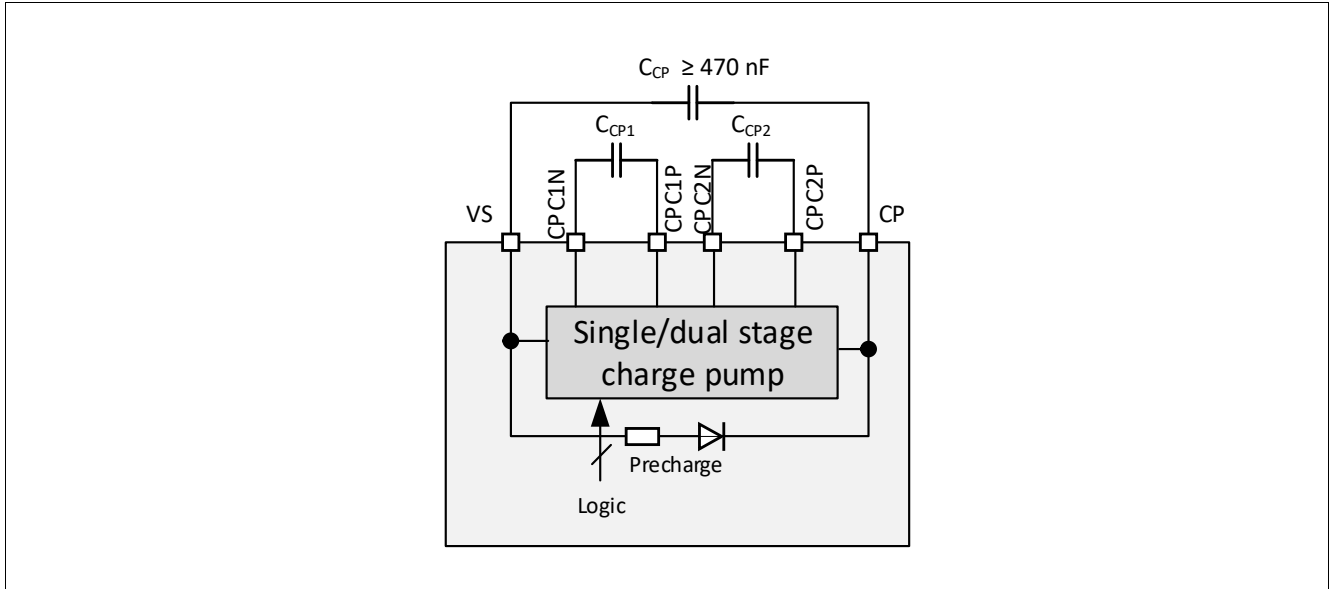
If the EN pin is pulled low, the logic content is reset and the device enters sleep mode. Once the device enters Normal Mode (after  $t_{SET\_SPI}$  with EN = high and  $V_{DD} > V_{DD\ POR}$ ), the NPOR bit is reset to 0 to report the reset condition.

NPOR is set to 1 when [GENSTAT](#) is cleared.

**General description**

**5.4 Charge pump**

A dual-stage charge pump supplies the gate drivers for the high-side and low-side MOSFETs. It requires three external capacitors connected between CPC1N and CPC1P, CPC2N and CPC2P, VS and CP.



**Figure 5 Charge pump**

CPSTGA = 0 (default, see [GENCTRL2](#)), the device operates with the dual-stage charge pump.

If CPSTGA = 1 ([GENCTRL2](#)), the device switches automatically to single-stage or dual-stage charge pump automatically:

- If  $V_S > V_{CPSO\ DS}$ : the TLE92108-232QX switches from a dual-stage to a single-stage charge pump.
- If  $V_S < V_{CPSO\ SD}$ : the TLE92108-232QX switches from single-stage to dual-stage charge pump.

The operation with the single-stage charge pump reduces the current consumption from the VS pin.

**5.5 Frequency modulation**

A modulation of the charge pump frequency can be activated to reduce the peak emission. The modulation frequency can be selected based on the resolution bandwidth of the peak detector during EMC testing.

The modulation frequency is set by the control bit FMODE in [GENCTRL1](#)

- FMODE = 0: No modulation.
- FMODE = 1: Modulation frequency = 15.6 kHz (default).



General description

5.6 Electrical characteristics

5.6.1 Electrical characteristics: supply

**Table 5 Electrical characteristics: supply**

$V_S = 6.0\text{ V}$  to  $18\text{ V}$  if  $V_{SOVTH} = 0$ ,  $V_S = 6.0\text{ V}$  to  $28\text{ V}$  if  $V_{SOVTH} = 1$ ;  $V_{DD} = 3.0\text{ V}$  to  $5.5\text{ V}$ ,  $T_j = -40^\circ\text{C}$  to  $150^\circ\text{C}$ , all voltages with respect to ground, positive current flowing into pin (unless otherwise specified)

Parameter	Symbol	Values			Unit	Note or Test Condition	Number
		Min.	Typ.	Max.			
<b>Current consumption, EN = LOW)</b>							
Supply quiescent current	$I_{SQ}$	–	2	5	$\mu\text{A}$	$T_j < 85^\circ\text{C}$ , $V_S = 13.5\text{ V}$ <b>PASS_MOD=00<sub>B</sub></b> , <b>PASS_VDS=0<sub>B</sub></b>	P_5.5.1
Supply quiescent current	$I_{SQ2}$	–	5	7	$\mu\text{A}$	$T_j < 85^\circ\text{C}$ , $V_S < 25\text{ V}$ <b>PASS_MOD=00<sub>B</sub></b> , <b>PASS_VDS=0<sub>B</sub></b>	P_5.5.61
Additional supply quiescent current, brake enabled	$I_{SQ\_BRAKE}$	–	5	7.5	$\mu\text{A}$	$T_j < 85^\circ\text{C}$ , $V_S = 13.5\text{ V}^{1)}$ <b>PASS_MOD=01<sub>B</sub></b> or <b>10<sub>B</sub></b> or <b>11<sub>B</sub></b> or <b>PASS_VDS=1<sub>B</sub></b>	P_5.5.60
Logic Supply quiescent current	$I_{DD\_Q}$	–	1	3	$\mu\text{A}$	$T_j < 85^\circ\text{C}$	P_5.5.3
Total quiescent current	$I_{DD\_Q} + I_{SQ}$	–	3	8	$\mu\text{A}$	$T_j < 85^\circ\text{C}$ , $V_S = 13.5\text{ V}$ <b>PASS_MOD=00<sub>B</sub></b> , <b>PASS_VDS</b>	P_5.5.5
EN Low filter time	$t_{DSLEEP}$	–	–	Max. $t_{CCP} + 3\ \mu\text{s}$	$\mu\text{s}$	<sup>2)3)</sup> <b>BD_PASS = 0</b>	P_5.5.49
EN Low filter time	$t_{ENL\_FILT}$	1	–	8	$\mu\text{s}$	<sup>2)</sup>	P_5.5.51
VS for LS1-4 setting	$V_{SLEEP\_SET}$	–	–	5.5	V		P_5.5.63
<b>Current consumption, EN = HIGH</b>							
Supply current	$I_{S1}$	–	45	55	mA	<b>HBxVDSTH = 001<sub>B</sub></b> , <b>BD_PASS = 0</b> , $I_{CP} = 0\text{ mA}$	P_5.5.6
Supply current	$I_{S2}$	–	83	100	mA	$8\text{ V} < V_S < 28\text{ V}$ <b>HBxVDSTH = 001<sub>B</sub></b> , <b>BD_PASS = 0</b> , $I_{CP} = -12\text{ mA}$ , dual stage CP	P_5.5.7

General description

**Table 5 Electrical characteristics: supply (cont'd)**

$V_S = 6.0\text{ V}$  to  $18\text{ V}$  if  $V_{SOVTH} = 0$ ,  $V_S = 6.0\text{ V}$  to  $28\text{ V}$  if  $V_{SOVTH} = 1$ ;  $V_{DD} = 3.0\text{ V}$  to  $5.5\text{ V}$ ,  $T_j = -40^\circ\text{C}$  to  $150^\circ\text{C}$ , all voltages with respect to ground, positive current flowing into pin (unless otherwise specified)

Parameter	Symbol	Values			Unit	Note or Test Condition	Number
		Min.	Typ.	Max.			
Supply current	$I_{S3}$	–	55	70	mA	$18\text{ V} < V_S < 28\text{ V}$ HBxVDSTH = 001 <sub>B</sub> , <b>BD_PASS</b> = 0, $I_{CP} = -12\text{ mA}^{2)}$ , single stage CP	P_5.5.56
Supply current	$I_{S4}$	–	55	70	mA	$V_S = 6\text{ V}$ , HBxVDSTH = 001 <sub>B</sub> , <b>BD_PASS</b> = 0, $I_{CP} = -6\text{ mA}^{2)}$	P_5.5.57
Supply current	$I_{S\_BD\_PASS}$	–	10	20	mA	HBxMODE=00 <sub>B</sub> , <b>BD_PASS</b> = 1	P_5.5.54
Logic supply current	$I_{DD1}$	–	3	4	mA	SPI not active, CSA1 and CSA2 off, all $I_{PDDiag}$ off, <b>BD_PASS</b> =0	P_5.5.8
Logic supply current	$I_{DD2}$	–	3	3.8	mA	<sup>4)</sup> Additional VDD current per CSA on, VCSOx = 4.5 V, LS shunt, <b>CCSO</b> = 1 CSAxL = 0, $I_{PDDiag}$ off	P_5.5.52
Logic supply current	$I_{DD3}$	–	2	2.8	mA	<sup>4)</sup> Additional VDD current per CSA on, <b>CCSO</b> = 0, VCSOx = 4.5 V, LS shunt, CSAxL = 0, $I_{PDDiag}$ off	P_5.5.55
Logic supply current	$I_{DD4}$	–	6	7	mA	<sup>5)</sup> Additional VDD current per CSA on, VCSOx = 4.5 V, HS shunt, <b>VSOVTH</b> = 1 CSAxL = 1, $I_{PDDiag}$ off	P_5.5.58
Logic supply current	$I_{DD5}$	–	4.2	5.2	mA	<sup>5)</sup> Additional VDD current per CSA on, <b>VSOVTH</b> = 0, VCSOx = 4.5 V, HS shunt, CSAxL = 1, $I_{PDDiag}$ off	P_5.5.59

**General description**

**Table 5 Electrical characteristics: supply (cont'd)**

$V_S = 6.0\text{ V}$  to  $18\text{ V}$  if  $V_{SOVTH} = 0$ ,  $V_S = 6.0\text{ V}$  to  $28\text{ V}$  if  $V_{SOVTH} = 1$ ;  $V_{DD} = 3.0\text{ V}$  to  $5.5\text{ V}$ ,  $T_j = -40^\circ\text{C}$  to  $150^\circ\text{C}$ , all voltages with respect to ground, positive current flowing into pin (unless otherwise specified)

Parameter	Symbol	Values			Unit	Note or Test Condition	Number
		Min.	Typ.	Max.			
Additional logic supply current pull-down	$I_{DD\_PDDiag}$	–	1.5	2	mA	Additional VDD current when all $I_{PDDiag}$ are on	P_5.5.53

**VS with active bridge driver ( $BD\_PASS = 0$ )**

UV switch ON voltage	$V_{SUV\ ON}$	–	–	5.5	V	$V_S$ increasing	P_5.5.11
UV switch OFF voltage	$V_{SUV\ OFF}$	4.0	4.5	5.0	V	$V_S$ decreasing	P_5.5.12
UV ON/OFF hysteresis	$V_{SUV\ HY}$	–	0.5	–	V	$V_{SUV\ ON} - V_{SUV\ OFF}$ <sup>2)</sup>	P_5.5.13
OV switch OFF voltage $V_{SOVTH} = 0$	$V_{SOV\ OFF1}$	19	–	21	V	$V_S$ increasing	P_5.5.14
OV switch ON voltage $V_{SOVTH} = 0$	$V_{SOV\ ON1}$	18	–	20	V	$V_S$ decreasing	P_5.5.15
OV switch OFF voltage $V_{SOVTH} = 1$	$V_{SOV\ OFF2}$	29	–	31	V	$V_S$ increasing	P_5.5.16
OV switch ON voltage $V_{SOVTH} = 1$	$V_{SOV\ ON2}$	28	–	30	V	$V_S$ decreasing	P_5.5.17
OV ON/OFF hysteresis	$V_{SOV\ HY}$	–	1	–	V	$V_{SUV\ ON} - V_{SUV\ OFF}$ <sup>2)</sup>	P_5.5.18
VS undervoltage filter time	$t_{VSUV\_FILT}$	7	10	13	$\mu\text{s}$	<sup>1)</sup>	P_5.5.47
VS overvoltage filter time	$t_{VSOV\_FILT}$	7	10	13	$\mu\text{s}$	<sup>2)</sup>	P_5.5.48
CP turn-off delay after VS overvoltage detection	$t_{D\_CPVSOV}$	12.8	16	19.2	$\mu\text{s}$	<sup>2)</sup>	P_5.5.50

**VDD**

$V_{DD}$ Power-On-Reset	$V_{DD\ POR}$	2.40	2.60	2.80	V	$V_{DD}$ increasing	P_5.5.19
$V_{DD}$ Power-Off-Reset	$V_{DD\ POFFR}$	2.30	2.50	2.70	V	$V_{DD}$ decreasing	P_5.5.20
$V_{DD}$ Power-On-Reset Hysteresis	$V_{DD\ POR\ HY}$	–	0.1	–	V	$V_{DD\ POR} - V_{DD\ POFFR}$ <sup>2)</sup>	P_5.5.21

- 1) Additional quiescent current if VS drops below  $V_{SLEEP\_SET}$ .
- 2) Not subject to production test, specified by design.
- 3) Max. cross-current protection time of the active half-bridges.
- 4) Parameter independent of **VSOVTH**.
- 5) Parameter independent of **CCSO**.

**General description**

**5.6.2 Electrical characteristics: logic inputs PWMx, EN**

**Table 6 Electrical characteristics: PWMx, EN**

$V_S = 6.0\text{ V}$  to  $18\text{ V}$  if  $V_{SOVTH} = 0$ ,  $V_S = 6.0\text{ V}$  to  $28\text{ V}$  if  $V_{SOVTH} = 1$ ;  $V_{DD} = 3.0\text{ V}$  to  $5.5\text{ V}$ ,  $T_j = -40^\circ\text{C}$  to  $150^\circ\text{C}$ , all voltages with respect to ground, positive current flowing into pin (unless otherwise specified)

Parameter	Symbol	Values			Unit	Note or Test Condition	Number
		Min.	Typ.	Max.			
EN high voltage	$V_{ENH}$	$0.7 \times V_{DD}$	–	–	V	–	P_5.5.22
EN low voltage	$V_{ENL}$	–	–	$0.3 \times V_{DD}$	V	–	P_5.5.23
EN hysteresis	$V_{ENHY}$	–	$0.12 \times V_{DD}$	–	V	1)	P_5.5.24
EN pull-down resistor	$R_{PD\_EN}$	30	40	50	k $\Omega$	–	P_5.5.25
PWMx high voltage	$V_{PWMH}$	$0.7 \times V_{DD}$	–	–	V	–	P_5.5.26
PWMx low voltage	$V_{PWML}$	–	–	$0.3 \times V_{DD}$	V	–	P_5.5.27
PWMx hysteresis	$V_{PWMHY}$	–	$0.12 \times V_{DD}$	–	V	1)	P_5.5.28
PWMx pull-down resistor	$R_{PD\_PWMx}$	30	40	50	k $\Omega$	–	P_5.5.29

1) Not subject to production test, specified by design.

**5.6.3 Electrical characteristics charge pump**

**Table 7 Electrical characteristics: charge pump**

$V_S = 6.0\text{ V}$  to  $18\text{ V}$  if  $V_{SOVTH} = 0$ ,  $V_S = 6.0\text{ V}$  to  $28\text{ V}$  if  $V_{SOVTH} = 1$ ;  $V_{DD} = 3.0\text{ V}$  to  $5.5\text{ V}$ ,  $T_j = -40^\circ\text{C}$  to  $150^\circ\text{C}$ , all voltages with respect to ground, positive current flowing into pin (unless otherwise specified)

Parameter	Symbol	Values			Unit	Note or Test Condition	Number
		Min.	Typ.	Max.			
Charge Pump Frequency	$f_{CP}$	–	250	–	kHz	3)	P_5.5.30
Output Voltage VCP vs. VS	$V_{CPmin}$	8.5	–	–	V	$V_S = 6\text{ V}$ , $I_{CP} = -6\text{ mA}$	P_5.5.31
Regulated output voltage VCP vs. VS, CPSTGA = 0	$V_{CP1}$	11	15	17	V	$8\text{ V} < V_S < 28\text{ V}$ , $I_{CP} = -12\text{ mA}$	P_5.5.32
Regulated output voltage VCP vs. VS, CPSTGA = 1	$V_{CP2}$	12	15	17	V	$18\text{ V} < V_S < 28\text{ V}$ , $I_{CP} = -12\text{ mA}$	P_5.5.41
Turn-on time, CPSTGA = 0	$t_{ON\_VCP1}$	10	40	80	$\mu\text{s}$	$8\text{ V} < V_S < 28\text{ V}$ (25%) <sup>1)2)3)4)</sup>	P_5.5.34
Rise time, CPSTGA = 0	$t_{RISE\_VCP1}$	10	60	100	$\mu\text{s}$	$8\text{ V} < V_S < 28\text{ V}$ (25%-75%) <sup>1)2)3)4)</sup>	P_5.5.35
Turn-on time, CPSTGA = 1	$t_{ON\_VCP2}$	10	40	80	$\mu\text{s}$	$18\text{ V} < V_S < 28\text{ V}$ (25%) <sup>1)2)3)5)</sup>	P_5.5.36

**General description**

**Table 7 Electrical characteristics: charge pump**

$V_S = 6.0\text{ V}$  to  $18\text{ V}$  if  $V_{SOVTH} = 0$ ,  $V_S = 6.0\text{ V}$  to  $28\text{ V}$  if  $V_{SOVTH} = 1$ ;  $V_{DD} = 3.0\text{ V}$  to  $5.5\text{ V}$ ,  $T_j = -40^\circ\text{C}$  to  $150^\circ\text{C}$ , all voltages with respect to ground, positive current flowing into pin (unless otherwise specified)

Parameter	Symbol	Values			Unit	Note or Test Condition	Number
		Min.	Typ.	Max.			
Rise time, CPSTGA = 1	$t_{RISE\_VCP2}$	10	60	100	$\mu\text{s}$	$18\text{ V} < V_S < 28\text{ V}$ (25%-75%) <sup>1)2)3)5)</sup>	P_5.5.37
Charge Pump Undervoltage (referred to VS)	$V_{CPUV1}$	5.5	6	6.5	V	<b>CPUVTH</b> = 0, VCP falling	P_5.5.38
Charge Pump Undervoltage (referred to VS)	$V_{CPUV2}$	7	7.5	8	V	<b>CPUVTH</b> = 1, VCP falling	P_5.5.42
Automatic switch over dual to single stage charge pump	$V_{CPSO\ DS}$	16	17	18	V	<b>CPSTGA</b> = 1	P_5.5.43
Automatic switch over single to dual stage charge pump	$V_{CPSO\ SD}$	15.5	16.5	17.5	V	<b>CPSTGA</b> = 1	P_5.5.44
Charge pump switch over hysteresis	$V_{CPSO\ HY}$	–	0.5	–	V	<sup>3)</sup> <b>CPSTGA</b> = 1, $V_{CPSO\ DS} - V_{CPSO\ SD}$	P_5.5.45
Charge Pump Undervoltage Filter Time	$t_{CPUV}$	51	64	77	$\mu\text{s}$	<sup>3)</sup>	P_5.5.39
Charge pump minimum output current	$I_{CPOC1}$	–	–	-12	mA	<sup>2)3)4)</sup> $V_S = 13.5\text{ V}$ ; <b>CPSTGA</b> = 0	
Charge pump minimum output current	$I_{CPOC2}$	–	–	-12	mA	<sup>2)3)5)</sup> $V_S = 18\text{ V}$ ; <b>CPSTGA</b> = 1	

- 1) Parameter dependent on the capacitance  $C_{CP}$ .
- 2)  $C_{CPC1} = C_{CPC2} = 220\text{ nF}$ ,  $C_{CP} = 470\text{ nF}$ ,  $I_{CP} = 0\text{ mA}$ .
- 3) Not subject to production test, specified by design.
- 4) Dual stage charge pump.
- 5) Single stage charge pump.

**Floating gate drivers**

## **6 Floating gate drivers**

The TLE92108-231QX integrates sixteen floating gate drivers capable of controlling a wide range of n-channel MOSFETs. They are configured as eight high-sides and low-sides, building eight half-bridges.

The gate driver are current controlled, allowing a regulation of the MOSFET switching times.

**For more information, please contact your sales partner for the datasheet including the complete device description.**

## **7 Protections and diagnostics**

The TLE92108-232QX integrates comprehensive diagnostic and protection functions.

**For more information, please contact your sales partner for the datasheet including the complete device description.**

## 8 Serial Peripheral Interface - SPI

The 24-bit Serial Peripheral Interface (SPI) enables the communication between the microcontroller and the TLE92108-232QX. It allows to configure and control the device, and to read out the status registers for diagnostic purpose. The MOSFET driver IC acts as a SPI-slave while the microcontroller acts as a SPI-master.

The interface has a serial data input pin (SDI) to transfer data to the device, a serial data output pin (SDO) for reading data back from the device, and a serial clock pin (SCLK) for clocking data into and out of the device. A chip select pin (CSN) enables or disables the serial interface.

The SPI frame starts with the falling edge of CSN. During the falling edge of CSN, SCLK must be low (Clock Polarity CPOL = 0). Received data on SDI are shifted in on the falling edge of SCLK. Transmitted data by SDO are shifted out on the rising edge of SCLK (Clock Phase CPHA = 1). Refer to **Figure 7**.

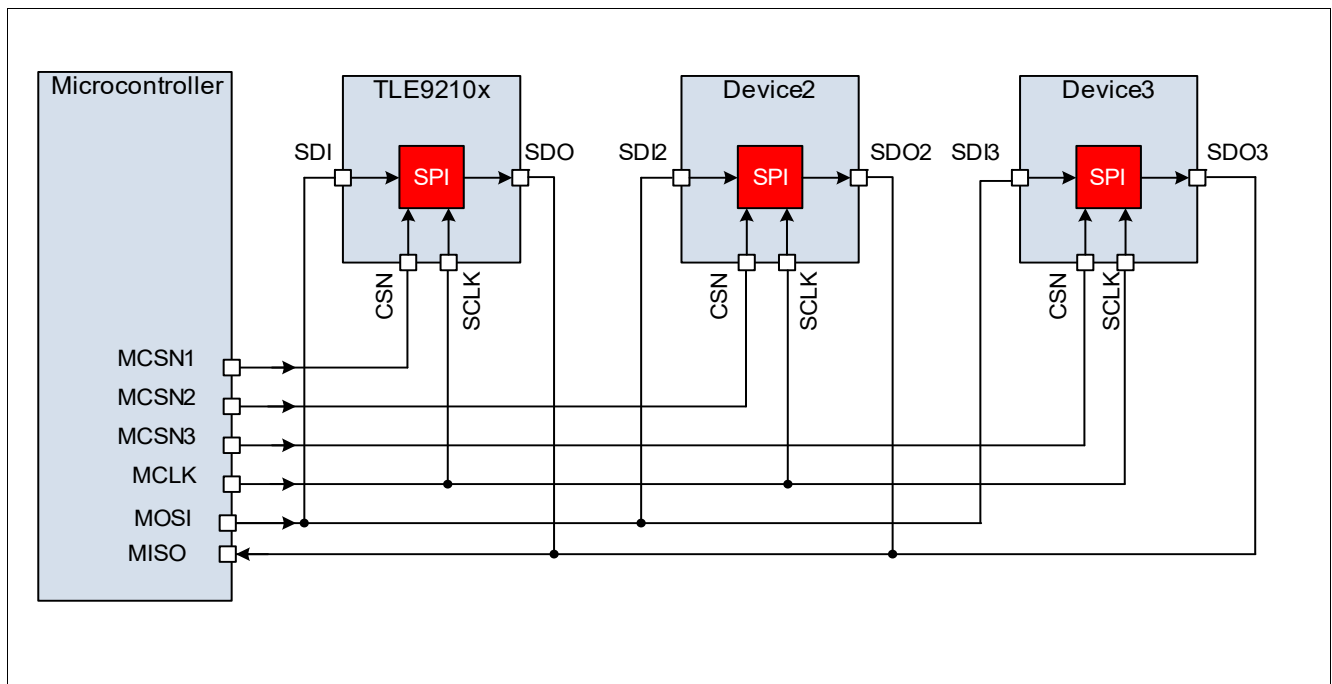
The Most Significant Bit (MSB, bit 23) is shifted in/out first.

Write and clear commands are executed at the rising edge of CSN.

The SPI protocol supports both independent slave selection and daisy chain configurations.

### 8.1 SPI protocol with independent slave selection

With individual slave selection, the microcontroller controls the CSN pin of each SPI slave individually (**Figure 6**).



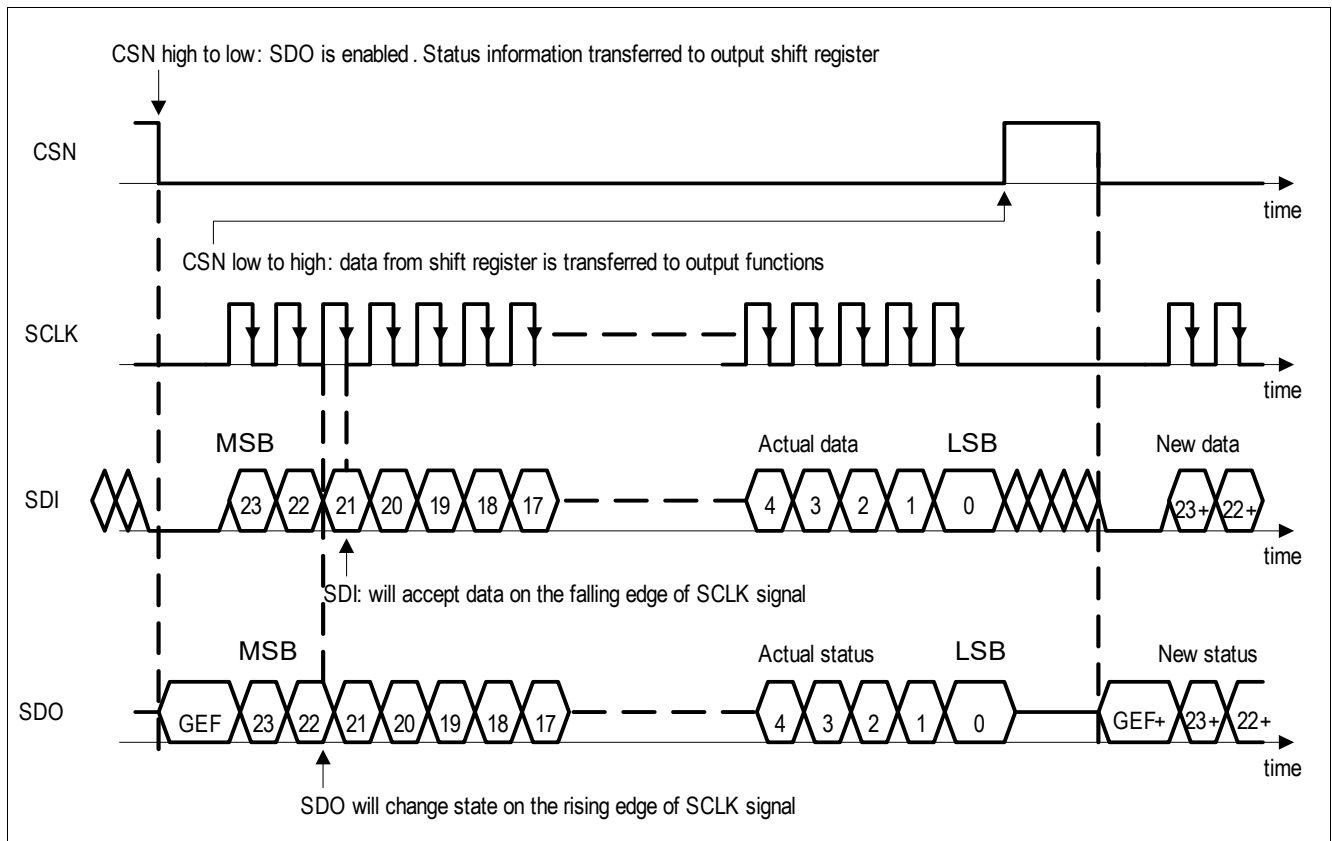
**Figure 6 Individual slave selection with three slave devices**

A SPI communication consists of 24-bit frame (**Figure 7**):

- SDI receives one address byte followed by two data bytes.
- SDO transmits the Global Error Flag and the Global Status Byte followed by two response bytes.



**Serial Peripheral Interface - SPI**



**Figure 7 SPI Data Transfer**

**The MSB of the address byte must be set to '1'.**

The address byte specifies (see [Figure 8](#)):

- the target register (A[4:0])
- the type of operation:
  - For control registers:
    - Read only: OP bit<sup>1)</sup> = '0'
    - Read and write: OP bit = '1'
  - For status registers:
    - Read only: OP bit = '0'
    - Read and clear: OP bit = '1'

**With individual slave selection, the Last Address Byte Token (LABT) must be set to '1'.**

**In-frame response**

The SPI protocol incorporates an in-frame response: The content of the addressed register is shifted out by SDO within the same SPI frame. This feature reduces the SPI bus load during the read out of the control or status registers.

1) OP bit is the least significant bit of the address byte, see [Figure 8](#)

Serial Peripheral Interface - SPI

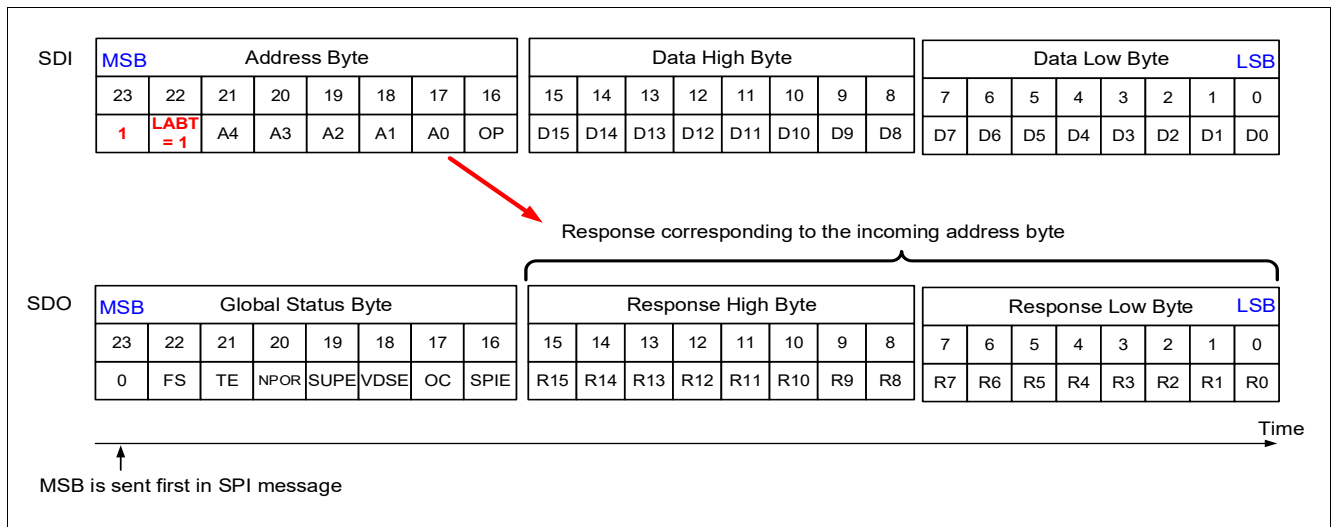


Figure 8 In-frame response with individual slave selection

### 8.2 Global Error Flag (GEF)

The Global Error Flag (GEF) is reported on SDO between the CSN falling edge and the first SCLK rising edge. GEF is set if a fault condition is detected or if the device comes from a Power On Reset (POR). It is therefore possible to have a quick device diagnostic without any SPI clock pulse (Figure 9).

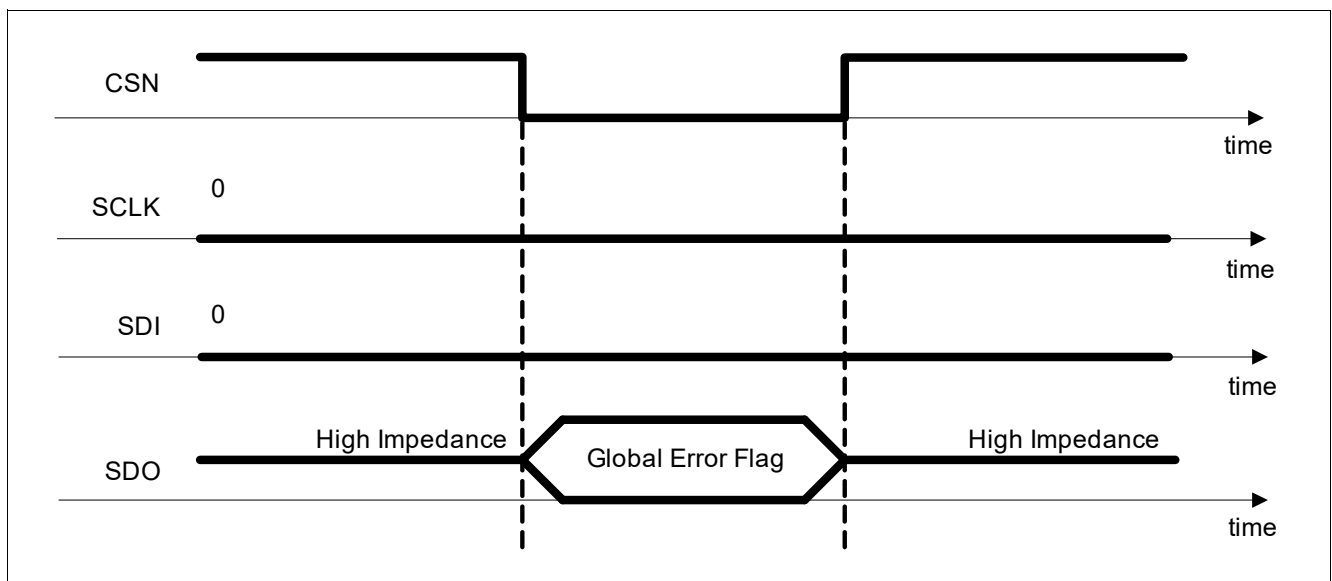


Figure 9 GEF - Diagnostic with 0-clock cycle

### 8.3 Global status byte

The SDO shifts out during the first eight SCLK cycles the Global Status Byte. This register provides an overview of the device status. The following error conditions are reported in this byte:

- Fail Safe (FS bit).
- Temperature error (TE bit): logical OR combination between Thermal Warning (TW) and Thermal shutdown (TSD).
- **Negated** Power ON Reset (NPOR bit, refer to Chapter 5.3 for reset conditions).

**Serial Peripheral Interface - SPI**

- Supply Error (SUPE bit): logical OR combination between VS undervoltage shutdown (**VSUV**), VS overvoltage shutdown (**VSOV**) and charge pump undervoltage (**CPUV**).
- VDS monitoring Error (VDSE bit): logical OR combination between the bits of the **DSOV** register.
- Overcurrent (OC bit): logical OR combination between OC1 and OC2 status bits (**GENSTAT** register).
- SPI protocol Error (SPIE bit).

Note: The Global Error Flag is a logic OR combination of every bit of the Global Status Byte and of TDREGx:  $GEF = (FS) OR (TE) OR (NOT(NPOR)) OR (SUPE) OR (VDSE) OR (OC) OR (SPIE) OR (NOT(TDREGx) AND (PWMx\_EN = 1) AND (NOT(MSKTDREG)))$ ,  $x = 1 \dots 3$ .

The following table shows how failures are reported in the Global Status Byte and the error Flag:

**Table 8 Failure reported in the global status byte and global error flag**

Type of Error	Failure reported in the Global Status Byte	Global Error Flag
Fail safe	FS = 1	1
Thermal error	TE = 1	1
Power ON reset	<b>NPOR = 0</b>	1
Supply error	SUPE = 1	1
Drain source voltage monitoring	VDSE = 1	1
Overcurrent	OC = 1	1
SPI protocol error	SPIE = 1	1
TDREGx, $x = 1 \dots 3$ <sup>1)</sup> (see <b>GENSTAT</b> )	-	1 if MSKTDREG = 0 <sup>2)</sup> 0 if MSKTDREG = 1 <sup>2)</sup>
No error and no power ON reset	SPIE = 0 OC = 0 VDSE = 0 SUPE = 0 <b>NPOR = 1</b> TE = 0 FS = 0  TDREGx = 0,	0

1) See status register **GENSTAT**.

2) See control register **GENCTRL2**.

Note: The default value (after Power ON Reset) of NPOR is 0, therefore the default value of GEF is 1.

In fail safe mode, the control registers are frozen to their default value, with the exception of the WDTRIG bit (refer to **Chapter 5.2.3**). Any write access (except for WDTRIG bit) in fail safe mode will be discarded and the SPIE bit will set.

## 8.4 SPI error detection

The SPI incorporates an error flag in the Global Status Byte (SPIE) to supervise and preserve the data integrity. If an SPI protocol error is detected during a given frame, the SPIE bit is set in the next SPI communication.

The SPIE bit is set in the following error conditions:

- The number of SCLK clock pulses received when CSN is Low is (protocol error):
  - not zero
  - or less than 24
  - or more than 24 but not a multiple of 8
- The microcontroller sends an SPI command to an unused address (protocol error).
- A clock polarity error is detected (see **Figure 10** Case 2 and Case 3): the incoming clock signal was High during CSN rising or falling edges (protocol error).
- No address byte or no last address byte are detected (protocol error).
- In daisy chain: the microcontroller does not send in sequence the first address byte until the last address byte (i.e. with gaps between two address bytes). In this case, the SDO signal is set to '0' during the remaining part of the SPI frame<sup>1)</sup>, in order to prevent other devices from executing wrong commands (protocol error).
- A clear command to address 0x1F (Device ID register, Offset address = 0x1F).
- The same half-bridge is allocated to several activated PWM channels.
- Any write or clear command received in fail safe mode and not belonging to the exit sequence (refer to **Chapter 5.2.3**).

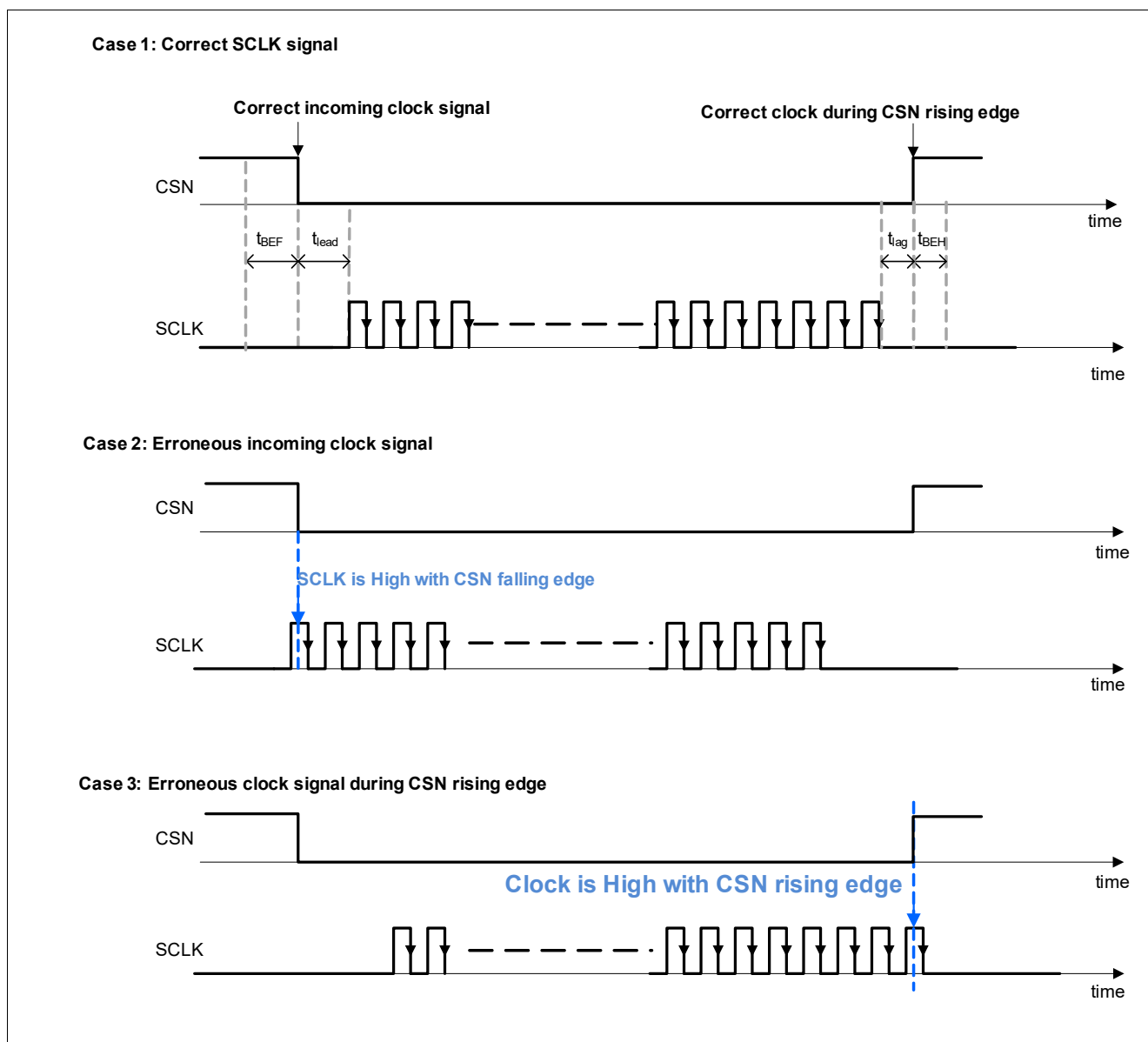
*Note: SPI commands to activate a half-bridge mapped to several PWM channels are ignored.*

In fail safe mode, the control registers may not be accessed, except for writing WDTRIG. An invalid write command in this mode sets the SPIE bit.

For a correct SPI communication:

- SCLK must be Low for a minimum  $t_{BEF}$  before CSN falling edge and  $t_{lead}$  after CSN falling edge.
- SCLK must be Low for a minimum  $t_{lag}$  before CSN rising edge and  $t_{BEH}$  after CSN rising edge.

1) Provided that the SPI frame has a correct polarity



**Figure 10** Clock polarity error

The reset condition of the SPIE bit depends on the cause of error:

- In normal mode:
  - The microcontroller must clear **HBVOUT\_PWMERR** if one half-bridge has been allocated to several PWM channels.
  - The microcontroller must send a correct SPI frame for the other errors reported by SPIE.
- If SPIE has been set in fail safe mode, the device must enter normal mode first.

## 8.5 Daisy chain

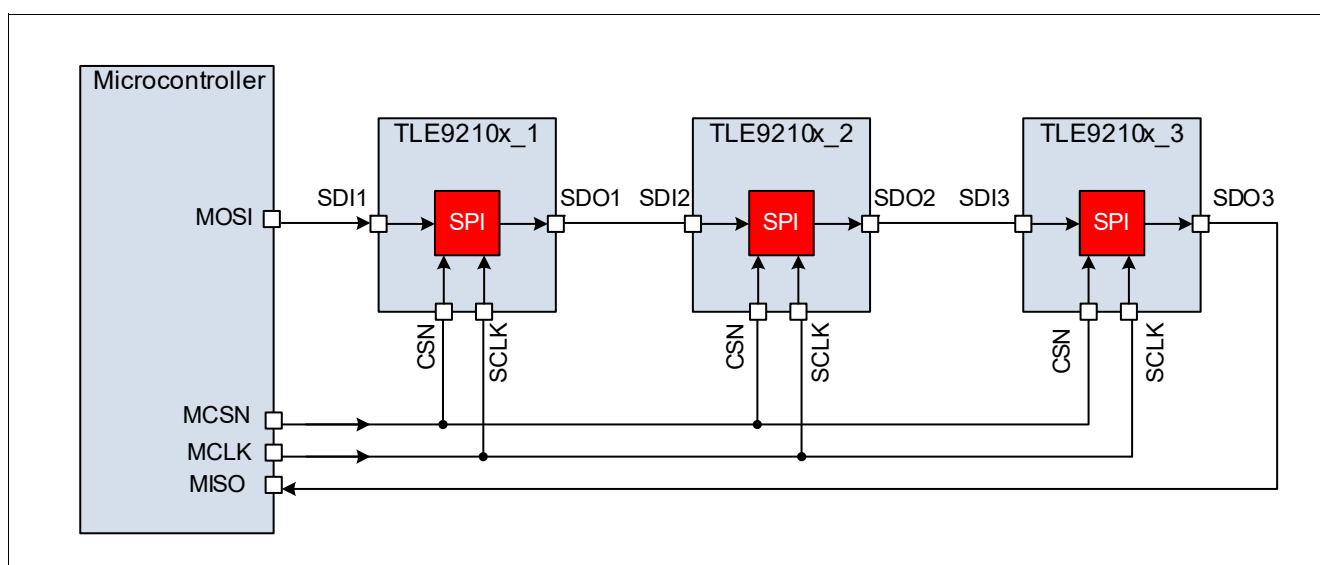
In daisy chain configuration the master output / slave input (noted MOSI) is connected to a slave SDI. The first slave SDO is connected to the next slave SDI in the chain. The SDO of the final in the chain is connected to the master input / slave output (noted MISO). In daisy chain configuration, the microcontroller MCSN is connected to all the slave CSN inputs (**Figure 11**).

**Serial Peripheral Interface - SPI**

To support daisy chain configurations, the TLE92108-232QX accepts SPI frames with more than 24 bits, provided that the number of bits is a multiple of 8, and the structure of the address byte is respected.

In daisy chain, the TLE92108-232QX works as follows:

1. The TLE92108-232QX operates as a 8-bit shift register until it receives the first address byte. This first received address byte is considered by the device as its own address byte.
2. The TLE92108-232QX copies directly SDI to SDO until the last address byte is detected.
3. The TLE92108-232QX shifts out the response high byte and low byte corresponding to the address byte.
4. After the last address byte, the TLE92108-232QX operates as a 16-bit shift register until the end of the SPI frame.



**Figure 11 Daisy chain configuration with three TLE9210x devices**

In daisy chain configuration (**Figure 11**), the microcontroller must send the address and data bytes in the following order (**Figure 12**):

1. The address bytes altogether are sent first:
  - Address byte 1 (for TLE9210x\_1) is sent first, followed by address byte 2 (for TLE9210x\_2), followed by address byte 3 (for TLE9210x\_3).
  - The LABT bit of the last address byte must be '1', while the LABT bit of all the other address bytes must be '0'.
2. The data bytes are sent altogether **in reverse order** once the address bytes are transmitted:
  - The data high byte for the TLE9210x\_3 is sent first followed by the data low byte for the TLE9210x\_3.
  - Then the data high byte for the TLE9210x\_2 is sent followed by the data low byte for the TLE9210x\_2.
  - Then the data high byte for the TLE9210x\_1 is sent followed by the data low byte for the TLE9210x\_1.

The Master Input / Slave Output (MISO), which is connected to SDO of the last device in the daisy chain, receives:

1. A logic OR combination of all Global Error Flags (GEF) at the beginning of the SPI frame, between CSN falling edge and the first SCLK rising edge.
2. The Global Status Byte of each TLE9210x **in reverse order**:

**Serial Peripheral Interface - SPI**

- The Global Status Byte 3 (GSB3) corresponding to the TLE9210x\_3 is received first, followed by GSB2 (corresponding to the TLE9210x\_2), and finally the GSB1 (corresponding to the TLE9210x\_1) is received.
3. The response of each TLE9210x **in reverse order**:
- The response high byte of the TLE9210x\_3 is received first followed by the response low byte of the TLE9210x\_3.
  - Then the response high byte of the TLE9210x\_2 is received followed by the response low byte of the TLE9210x\_2.
  - Then the response high byte of the TLE9210x\_1 is received followed by the response low byte of the TLE9210x\_1.

Serial Peripheral Interface - SPI

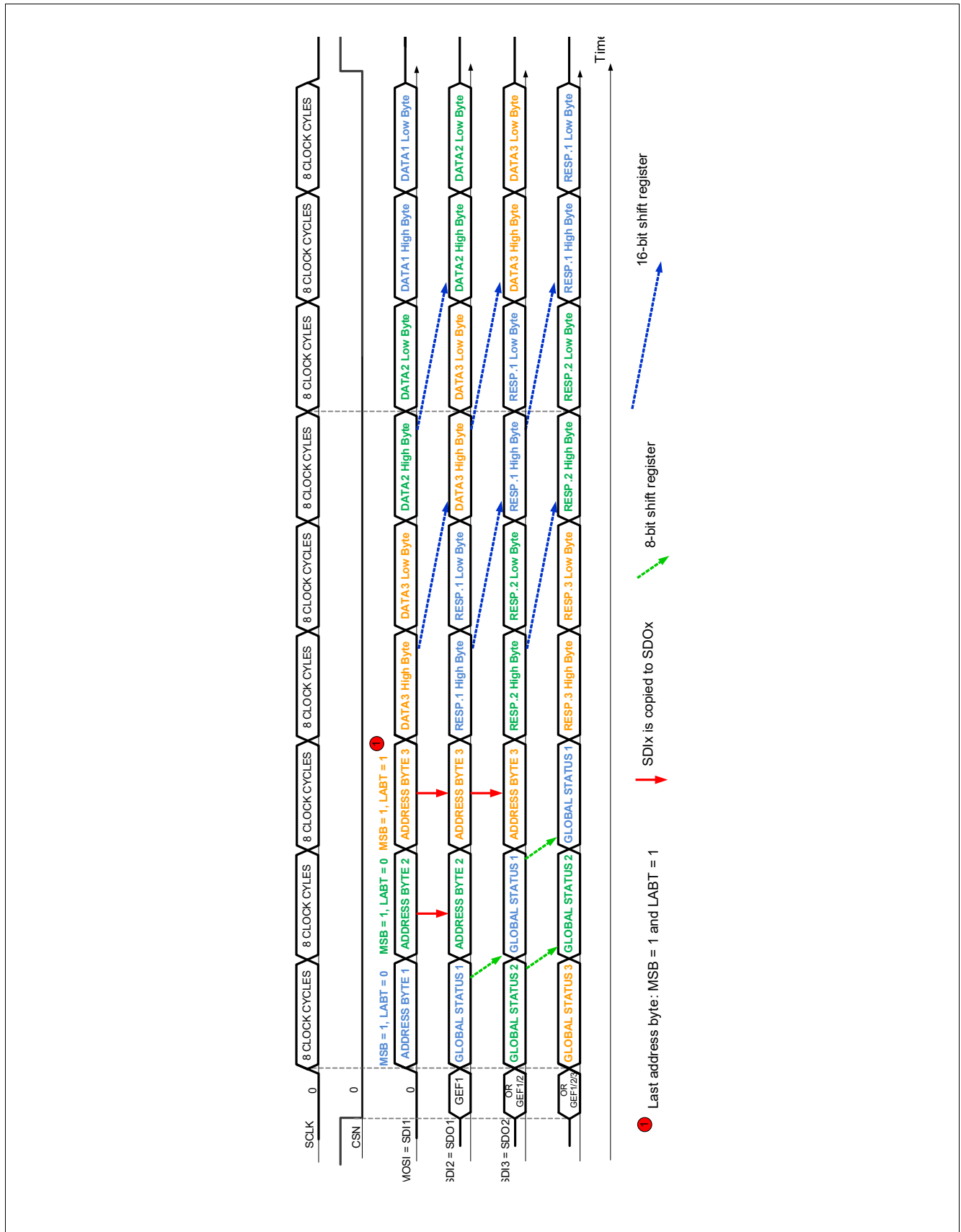


Figure 12 SPI Frame in daisy chain configuration with three TLE9210x devices



**Serial Peripheral Interface - SPI**

**8.6 SPI electrical characteristics: timings**

**Table 9 Electrical characteristics: SPI interface**

$V_S = 6.0\text{ V}$  to  $18\text{ V}$  if  $V_{SOVTH} = 0$ ,  $V_S = 6.0\text{ V}$  to  $28\text{ V}$  if  $V_{SOVTH} = 1$ ;  $V_{DD} = 3.0\text{ V}$  to  $5.5\text{ V}$ ,  $T_j = -40^\circ\text{C}$  to  $150^\circ\text{C}$ , all voltages with respect to ground, positive current flowing into pin (unless otherwise specified)

Parameter	Symbol	Values			Unit	Note or Test Condition	Number
		Min.	Typ.	Max.			
<b>SPI frequency</b>							
Maximum SPI frequency	$f_{SPI,max}$	–	–	4		1)	P_8.6.1
<b>Delay from EN rising edge to first SPI frame</b>							
SPI interface setup time <sup>2)</sup>	$t_{SET\_SPI}$	–	–	150	$\mu\text{s}$	1)	P_8.6.32
<b>SPI interface, logic inputs SDI, SCLK, CSN</b>							
High input voltage threshold	$V_{IH}$	$0.7 \times V_{DD}$	–	–	V		P_8.6.2
Low input voltage threshold	$V_{IL}$	–	–	$0.3 \times V_{DD}$	V		P_8.6.3
Hysteresis of input voltage	$V_{IHY}$	–	$0.12 \times V_{DD}$	–	V	1)	P_8.6.4
Pull up resistor at pin CSN	$R_{PU\_CSN}$	20	40	80	$k\Omega$	$V_{CSN} = 0.7 \times V_{DD}$	P_8.6.5
Pull down resistor at pin SDI, SCLK	$R_{PD\_SDI}$ , $R_{PD\_SCLK}$	20	40	80	$k\Omega$	$V_{SDI}, V_{SCLK} = 0.2 \times V_{DD}$	P_8.6.6
Input capacitance at pin CSN, SDI or SCLK	$C_I$	–	10	–	pF	1) $0\text{ V} < V_{DD} < 5.5\text{ V}$	P_8.6.7
<b>Input interface, logic outputs SDO</b>							
H-output voltage level	$V_{SDOH}$	$0.8 \times V_{DD}$	–	–	V	$I_{SDOH} = -1.6\text{ mA}$	P_8.6.8
L-output voltage level	$V_{SDOL}$	–	–	$0.2 \times V_{DD}$	V	$I_{SDOL} = 1.6\text{ mA}$	P_8.6.9
Tri-state Leakage Current	$I_{SDOLK}$	-10	–	10	$\mu\text{A}$	1) $V_{CSN} = V_{DD}$ ; $0\text{ V} < V_{SDO} < V_{DD}$	P_8.6.10
Tri-state input capacitance	$C_{SDO}$	–	10	15	pF	1)	P_8.6.11
<b>Data input timing. See Figure 6</b>							
SCLK Period	$t_{pCLK}$	250	–	–	ns	1)	P_8.6.12
SCLK High Time	$t_{SCLKH}$	$0.45 \times t_{pCLK}$	–	$0.55 \times t_{pCLK}$	ns	1)	P_8.6.13
SCLK Low Time	$t_{SCLKL}$	$0.45 \times t_{pCLK}$	–	$0.55 \times t_{pCLK}$	ns	1)	P_8.6.14
SCLK Low before CSN Low	$t_{BEF}$	125	–	–	ns	1)	P_8.6.15
CSN Setup Time	$t_{lead}$	250	–	–	ns	1)	P_8.6.16
SCLK Setup Time	$t_{lag}$	250	–	–	ns	1)	P_8.6.17
SCLK Low after CSN High	$t_{BEH}$	125	–	–	ns	1)	P_8.6.18
SDI Setup Time	$t_{SDI\_setup}$	100	–	–	ns	1)	P_8.6.19

**Serial Peripheral Interface - SPI**

**Table 9 Electrical characteristics: SPI interface (cont'd)**

$V_S = 6.0\text{ V}$  to  $18\text{ V}$  if  $V_{SOVTH} = 0$ ,  $V_S = 6.0\text{ V}$  to  $28\text{ V}$  if  $V_{SOVTH} = 1$ ;  $V_{DD} = 3.0\text{ V}$  to  $5.5\text{ V}$ ,  $T_j = -40^\circ\text{C}$  to  $150^\circ\text{C}$ , all voltages with respect to ground, positive current flowing into pin (unless otherwise specified)

Parameter	Symbol	Values			Unit	Note or Test Condition	Number
		Min.	Typ.	Max.			
SDI Hold Time	$t_{SDI\_hold}$	50	–	–	ns	1)	P_8.6.20
Input Signal Rise Time at pin SDI, SCLK, CSN	$t_{rIN}$	–	–	50	ns	1)	P_8.6.21
Input Signal Fall Time at pin SDI, SCLK, CSN	$t_{fIN}$	–	–	50	ns	1)	P_8.6.22
Delay time from EN falling edge to standby mode	$t_{DMODE}$	–	–	6	$\mu\text{s}$	1)	P_8.6.23
Minimum CSN High Time	$t_{CSNH}$	3	–	–	$\mu\text{s}$	1)	P_8.6.24

**Data output timing. See Figure 7.**

SDO Rise Time	$t_{rSDO}$	–	30	80	ns	1) $C_{load} = 100\text{ pF}$	P_8.6.25
SDO Fall Time	$t_{fSDO}$	–	30	80	ns	1) $C_{load} = 100\text{ pF}$	P_8.6.26
SDO Enable Time after CSN falling edge	$t_{ENSDO}$	–	–	50	ns	1) Low Impedance	P_8.6.27
SDO Disable Time after CSN rising edge	$t_{DISSDO}$	–	–	50	ns	1) High Impedance	P_8.6.28
Duty cycle of incoming clock at SCLK	$duty_{SCLK}$	45	–	55	%	1)	P_8.6.29
SDO Valid Time for $V_{DD} = 5\text{ V}$	$t_{VASDO5}$	–	–	50	ns	1) $V_{SDO} < 0.2 \times V_{DD}$ $V_{SDO} > 0.8 \times V_{DD}$ $C_{load} = 100\text{ pF}$	P_8.6.31

1) Not subject to production test, specified by design

2) Delay required between EN rising edge and the moment when the device can accept SPI commands

Serial Peripheral Interface - SPI

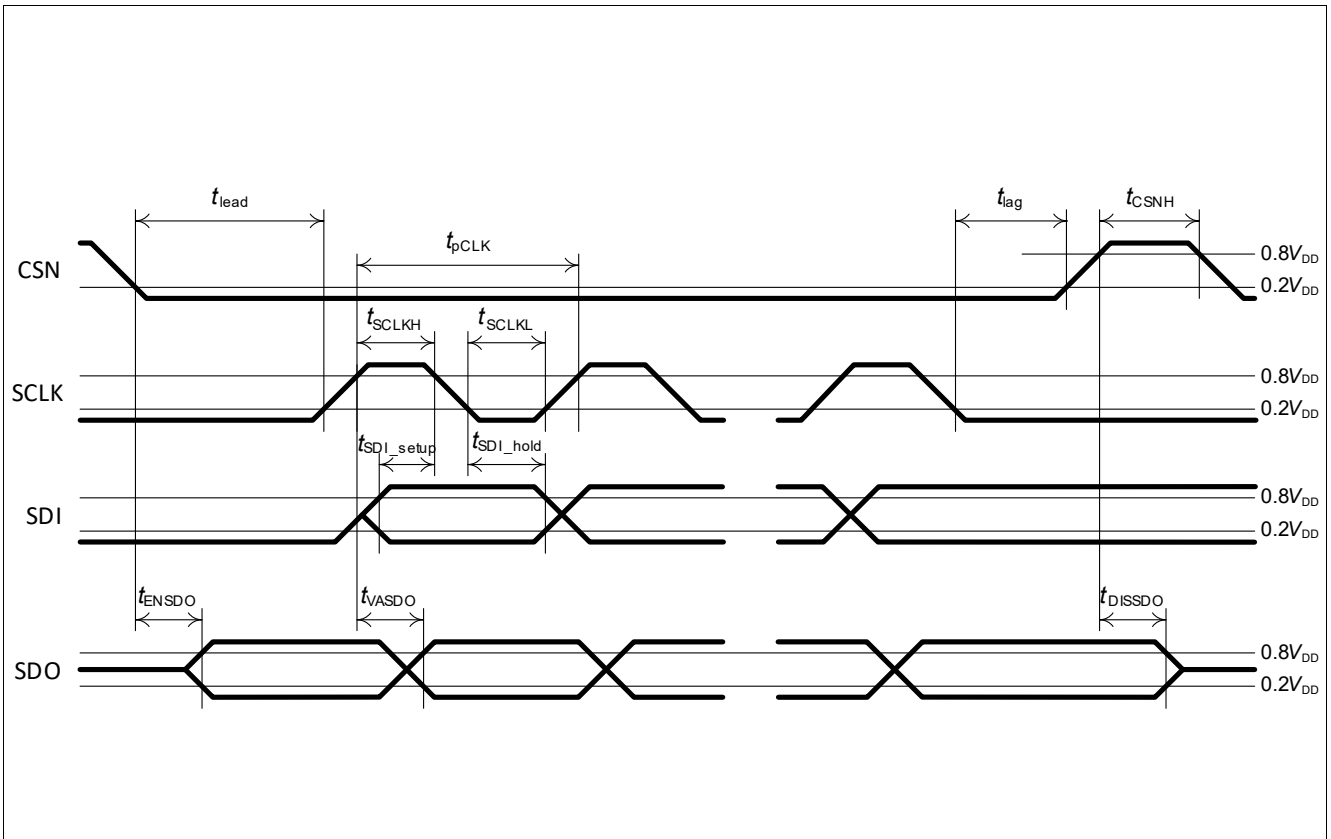


Figure 13 SPI timing parameters

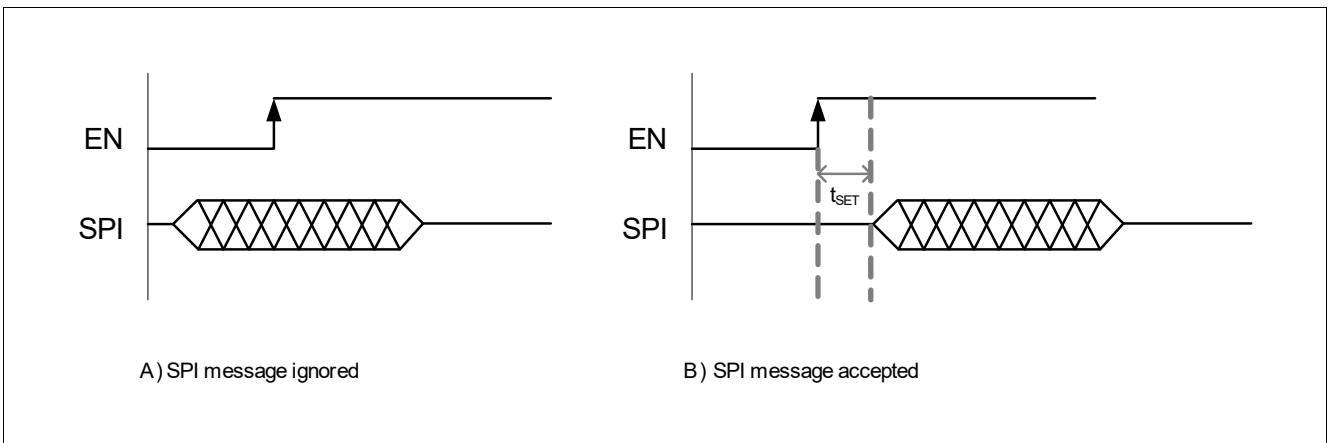


Figure 14 Setup time from EN rising edge to first SPI communication

## **9 Register specification**

**For more information, please contact your sales partner for the datasheet including the complete device description.**

Application information

10 Application information

Note: The following information is given as a hint for the implementation of the device only and shall not be regarded as a description or warranty of a certain functionality, condition or quality of the device.

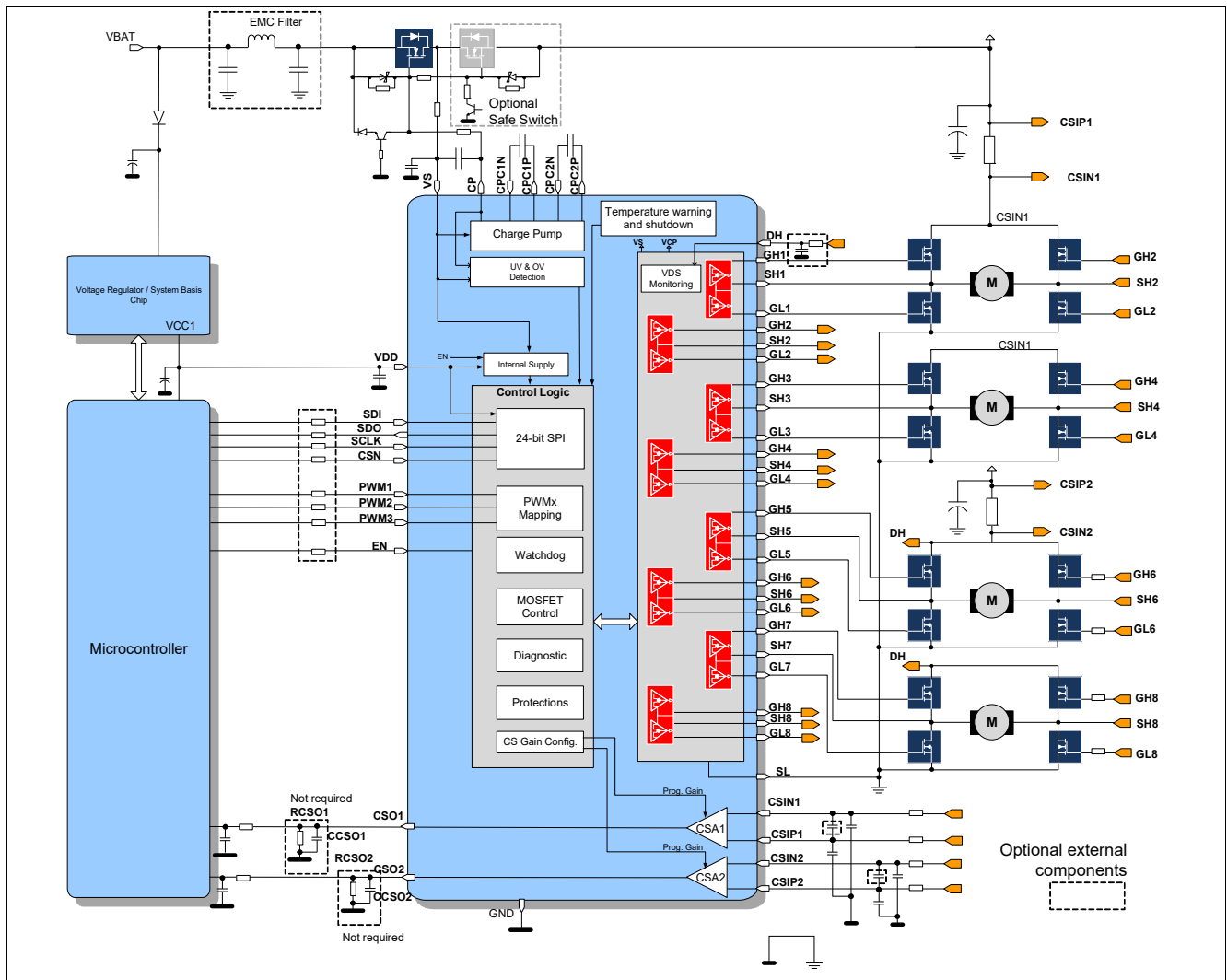


Figure 15 Application diagram TLE92108-232QX

Note: This is a simplified example of an application circuit. The function must be verified in the real application.

The charge pump buffer capacitor between VS and CP must have a capacitance equal or higher than 470 nF for a stable operation. A higher capacitance can be used to reduce the voltage ripples caused by the charge of the gate of the external MOSFETs during PWM operation.

The flying capacitors between CPC1N/CPC1P and CPC2N/CPC2P must be as close as possible to the TLE92108-232QX.

The decoupling capacitors between VS/GND and VDD/GND must be as close as possible to the TLE92108-232QX and short PCB tracks to the GND plane.

A resistor (RCSOx) and a capacitor (CCSOx) can be placed (not mandatory) at the output of the current sense amplifiers.

**Application information**

The device does not need any resistor at the output of the current sense amplifiers. However, if a resistor is used by the application,  $R_{CSOx}$  must be higher than 1 k $\Omega$ . This resistor causes additional current consumption from VDD, which is not taken into account in the electrical characteristics of the datasheet.

$CCSOx$  must be between 10 pF and 400 pF. For a fast reaction time of the CSA output, it is recommended to keep  $CCSOx$  to 10 pF.

If a filter is used at the inputs of the current sense amplifier, the serial resistor may not exceed 5  $\Omega$ .

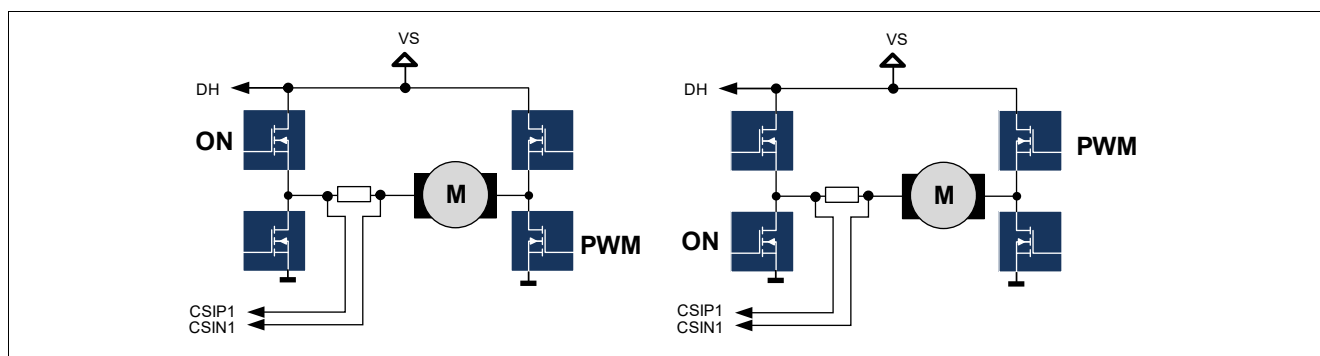
It is possible that the MOSFET gate voltage goes below the source voltage during the commutation of a half-bridge. This depends on the stray inductances at the drain and the source of the MOSFET, the speed of the commutation and the ratio between the MOSFET Gate-Source and Gate-Drain capacitances.

If  $V_{GATE} - V_{SOURCE} < -0.6 V$ , a series resistor (e.g. 4.7  $\Omega$ ) in series to GHx and GLx are recommended to limit current delivered by the gate driver during the commutation.

**Shunt resistor in the motor phase**

When the shunt resistor is placed in the motor phase, it is highly recommended to apply the PWM to the half-bridge which is not connected to the shunt resistor (**Figure 16**). This avoids a high common mode swing at the inputs of the current sense amplifier.

The drain-source monitoring of the monitoring of the drain-source overvoltage of the high-side MOSFETs must be set to DH - VSHx. Refer to **VDS1**, **VDS2**, HBxD bits.

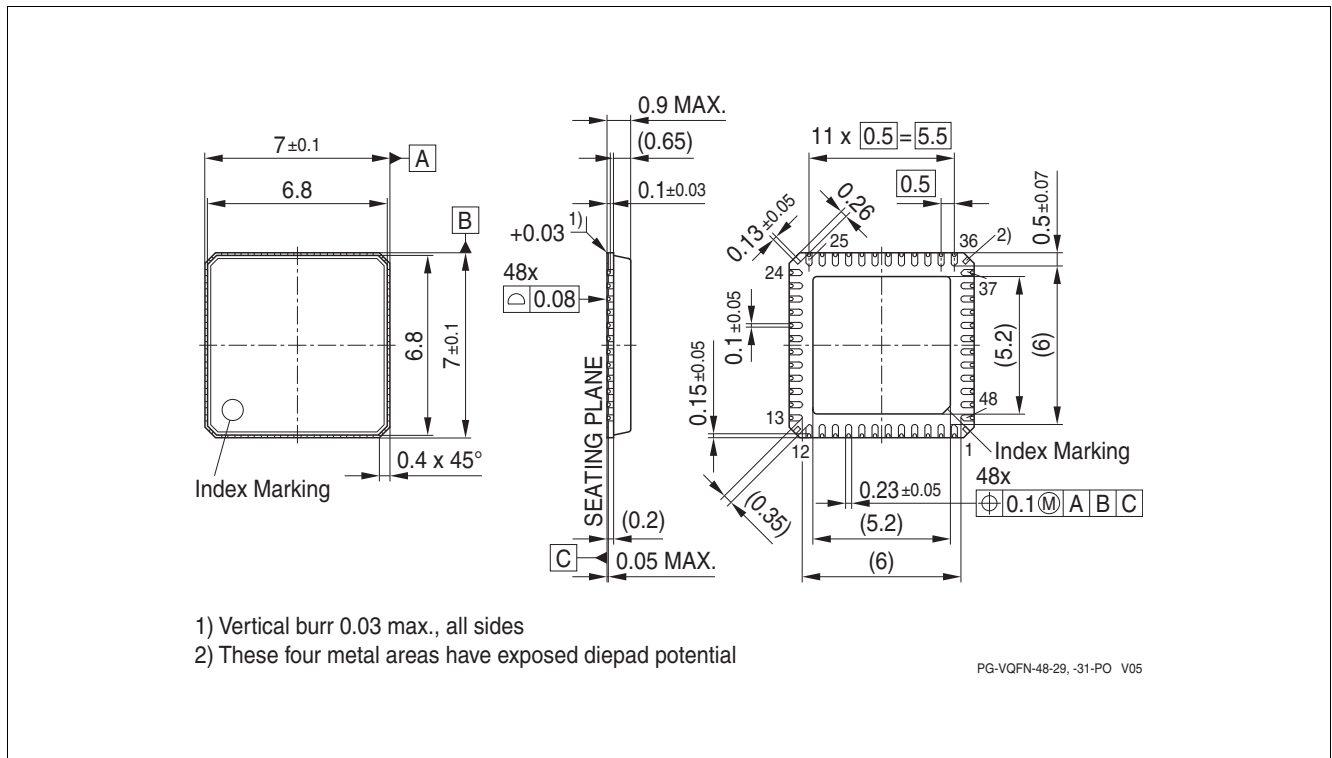


**Figure 16 PWM with Shunt resistance in the motor phase**

For a proper off-state diagnostic for with the shunt resistor in the motor phase, the corresponding current sense amplifier (CSA) must be deactivated. Otherwise, the activated CSA draws current from its inputs, preventing the internal pull-up source to set the SHx pin to high.

Package outlines

# 11 Package outlines



**Figure 17 PG-VQFN-48<sup>1)</sup>**

### Green Product (RoHS compliant)

To meet the world-wide customer requirements for environmentally friendly products and to be compliant with government regulations the device is available as a green product. Green products are RoHS-Compliant (i.e Pb-free finish on leads and suitable for Pb-free soldering according to IPC/JEDEC J-STD-020).

1) Dimmensions in mm

**Revision History**

## **12 Revision History**

<b>Revision</b>	<b>Date</b>	<b>Changes</b>
1.0	2019-08-29	First release



## Trademarks

All referenced product or service names and trademarks are the property of their respective owners.

**Edition 2019-08-29**

**Published by**

**Infineon Technologies AG**

**81726 Munich, Germany**

**© 2019 Infineon Technologies AG.**

**All Rights Reserved.**

**Do you have a question about any aspect of this document?**

**Email: [erratum@infineon.com](mailto:erratum@infineon.com)**

**Document reference**

## IMPORTANT NOTICE

The information given in this document shall in no event be regarded as a guarantee of conditions or characteristics ("Beschaffenhheitsgarantie").

With respect to any examples, hints or any typical values stated herein and/or any information regarding the application of the product, Infineon Technologies hereby disclaims any and all warranties and liabilities of any kind, including without limitation warranties of non-infringement of intellectual property rights of any third party.

In addition, any information given in this document is subject to customer's compliance with its obligations stated in this document and any applicable legal requirements, norms and standards concerning customer's products and any use of the product of Infineon Technologies in customer's applications.

The data contained in this document is exclusively intended for technically trained staff. It is the responsibility of customer's technical departments to evaluate the suitability of the product for the intended application and the completeness of the product information given in this document with respect to such application.

For further information on technology, delivery terms and conditions and prices, please contact the nearest Infineon Technologies Office ([www.infineon.com](http://www.infineon.com)).

## WARNINGS

Due to technical requirements products may contain dangerous substances. For information on the types in question please contact your nearest Infineon Technologies office.

Except as otherwise explicitly approved by Infineon Technologies in a written document signed by authorized representatives of Infineon Technologies, Infineon Technologies' products may not be used in any applications where a failure of the product or any consequences of the use thereof can reasonably be expected to result in personal injury.

## X-ON Electronics

Largest Supplier of Electrical and Electronic Components

*Click to view similar products for [Gate Drivers](#) category:*

*Click to view products by [Infineon](#) manufacturer:*

Other Similar products are found below :

[00053P0231](#) [56956](#) [57.404.7355.5](#) [LT4936](#) [57.904.0755.0](#) [5882900001](#) [00600P0005](#) [00-9050-LRPP](#) [00-9090-RDPP](#) [5951900000](#) [01-1003W-10/32-15](#) [0131700000](#) [00-2240](#) [LTP70N06](#) [LVP640](#) [5J0-1000LG-SIL](#) [LY1D-2-5S-AC120](#) [LY2-US-AC240](#) [LY3-UA-DC24](#) [00576P0020](#) [00600P0010](#) [LZN4-UA-DC12](#) [LZNQ2M-US-DC5](#) [LZNQ2-US-DC12](#) [LZP40N10](#) [00-8196-RDPP](#) [00-8274-RDPP](#) [00-8275-RDNP](#) [00-8722-RDPP](#) [00-8728-WHPP](#) [00-8869-RDPP](#) [00-9051-RDPP](#) [00-9091-LRPP](#) [00-9291-RDPP](#) [0207100000](#) [0207400000](#) [01312](#) [0134220000](#) [60713816](#) [M15730061](#) [61161-90](#) [61278-0020](#) [6131-204-23149P](#) [6131-205-17149P](#) [6131-209-15149P](#) [6131-218-17149P](#) [6131-220-21149P](#) [6131-260-2358P](#) [6131-265-11149P](#) [CS1HCPU63](#)