

# TLS202B1V50

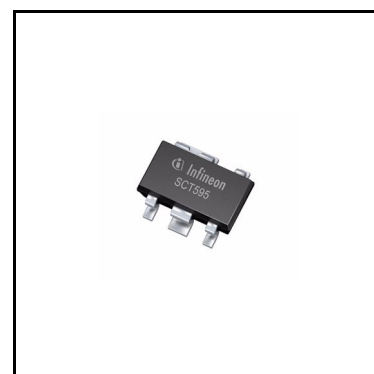
## Fixed Linear Voltage Post Regulator



### Quality Requirement Category: Automotive

#### Features

- Output Voltage: 5 V
- Output Voltage Accuracy of  $\pm 3\%$
- Output Currents up to 150 mA
- Extended Input Voltage Operating Range of 2.7 V to 18 V
- Enable Functionality
- Low Dropout Voltage: typ. 290mV
- Very Low Current Consumption: typ. 50  $\mu$ A
- Very Low Shutdown Current: typ. 0.01  $\mu$ A
- High PSRR: typ. 58dB at 10 kHz
- Output Current Limitation
- Short Circuit protected
- Overtemperature Shutdown
- Wide Temperature Range From  $-40\text{ }^{\circ}\text{C}$  up to  $150\text{ }^{\circ}\text{C}$
- Suitable for Use in Automotive Electronics as Post Regulator
- Green Product (RoHS compliant)
- AEC Qualified



#### Description

##### Functional Description

The TLS202B1V50 is a monolithic integrated fixed linear voltage post regulator for load currents up to 150 mA. The IC regulates an input voltage  $V_I$  up to 18 V to a fixed output voltage of 5 V with a precision of  $\pm 4\%$ . The TLS202B1V50 is especially designed for applications requiring very low standby currents, e.g. with a permanent connection to the preregulators like DCDC converters. The regulator is not designed to operate with a direct connection to the battery. The component can be enabled/disabled via the Enable input. The device is available in a very small surface mounted PG-SCT595 package. The device is designed for the harsh environment of automotive applications. Therefore it is protected against overload, short circuit and overtemperature conditions by the implemented output current limitation and the overtemperature shutdown circuit. The TLS202B1V50 can be also used in all other applications requiring a stabilized 5 V voltage.

### Choosing External Components

The input capacitor  $C_i$  is recommended for compensating line influences. The output capacitor  $C_o$  is necessary for the stability of the regulating circuit. Stability is guaranteed at values specified in “**Functional Range**” on **Page 6** within the whole operating temperature range.

Type	Package	Marking
TLS202B1MB V50	PG-SCT595	22

## Table of Contents

<b>1</b>	<b>Block Diagram</b> .....	<b>4</b>
<b>2</b>	<b>Pin Configuration</b> .....	<b>5</b>
2.1	Pin Assignment PG-SCT595 .....	5
2.2	Pin Definitions and Functions .....	5
<b>3</b>	<b>General Product Characteristics</b> .....	<b>6</b>
3.1	Absolute Maximum Ratings .....	6
3.2	Functional Range .....	6
3.3	Thermal Resistance .....	7
<b>4</b>	<b>Voltage Regulator</b> .....	<b>8</b>
4.1	Description Voltage Regulator .....	8
4.2	Electrical Characteristics Voltage Regulator .....	8
4.3	Typical Performance Characteristics Voltage Regulator .....	10
<b>5</b>	<b>Current Consumption</b> .....	<b>12</b>
5.1	Description Current Consumption .....	12
5.2	Electrical Characteristics Current Consumption .....	12
5.3	Typical Performance Characteristics Current Consumption .....	13
<b>6</b>	<b>Enable Function</b> .....	<b>14</b>
6.1	Description Enable Function .....	14
6.2	Electrical Characteristics Enable Function .....	14
6.3	Typical Performance Characteristics Enable Function .....	15
<b>7</b>	<b>Application Information</b> .....	<b>16</b>
<b>8</b>	<b>Package Outlines</b> .....	<b>17</b>
<b>9</b>	<b>Revision History</b> .....	<b>18</b>

Block Diagram

# 1 Block Diagram

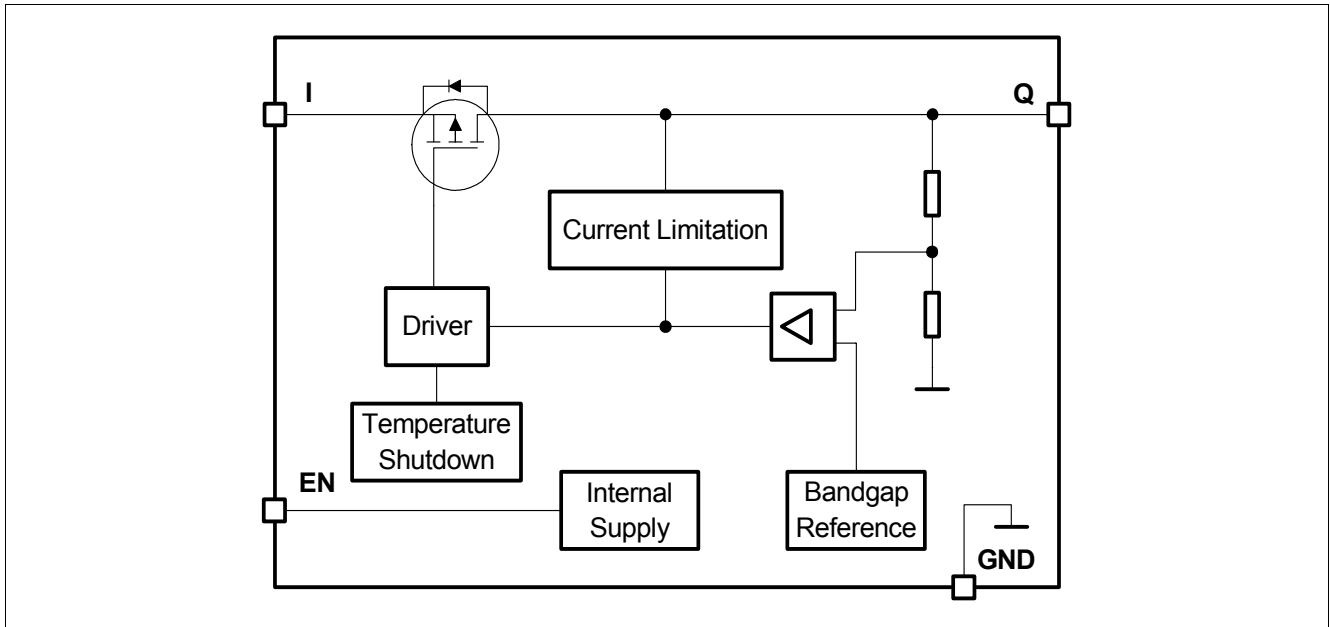
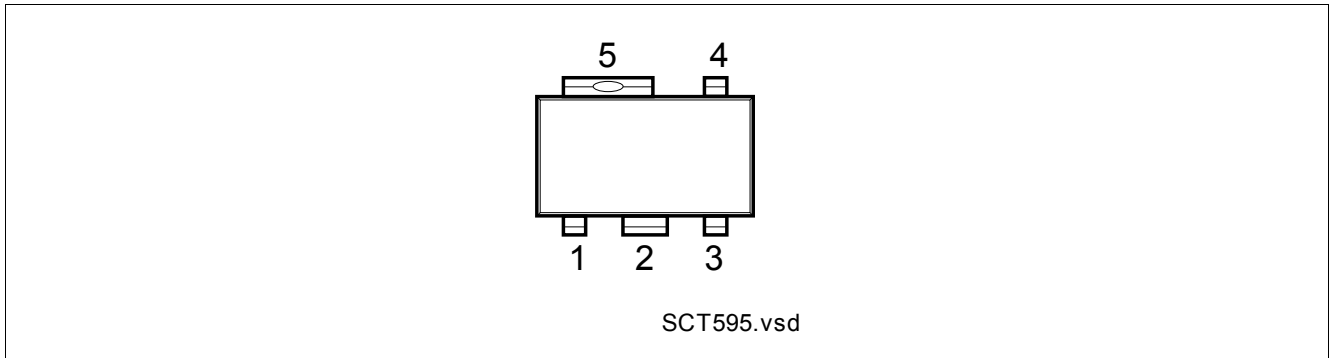


Figure 1 Block Diagram

**Pin Configuration**

## 2 Pin Configuration

### 2.1 Pin Assignment PG-SCT595



**Figure 2 Pin Configuration Package PG-SCT595-5**

### 2.2 Pin Definitions and Functions

Pin	Symbol	Function
1	I	<b>Input.</b> <b>IC supply.</b> For compensating line influences, a capacitor of 220 nF close to the IC pin is recommended.
2	GND	<b>Ground Reference.</b> Internally connected to Pin 5. Connect to heatsink area. For thermal reasons both ground Pins 2 and 5 have to be soldered.
3	Q	<b>Output.</b> Block to GND with a capacitor close to the IC terminals, respecting capacitance and ESR requirements given in the <b>“Functional Range” on Page 6</b> ”.
4	EN	<b>Enable.</b> A low signal disables the IC. A high signal switches it on. Connect to the input I, if the enable functionality is not required.
5	GND	<b>Ground Reference.</b> Internally connected to Pin 2. Connect to heatsink area. For thermal reasons both ground Pins 2 and 5 have to be soldered.

**General Product Characteristics**

### 3 General Product Characteristics

#### 3.1 Absolute Maximum Ratings

**Table 1 Absolute Maximum Ratings** <sup>1)</sup> $T_j = -40\text{ °C to }+150\text{ °C}$ ; all voltages with respect to ground, (unless otherwise specified)

Parameter	Symbol	Values			Unit	Note or Test Condition	Number
		Min.	Typ.	Max.			
<b>Input I</b>							
Voltage	$V_I$	-0.3	–	20	V	–	P_3.1.1
<b>Output Q</b>							
Voltage	$V_Q$	-0.3	–	5.5	V	–	P_3.1.2
<b>Enable EN</b>							
Voltage	$V_{EN}$	-0.3	–	20	V	–	P_3.1.3
<b>Temperature</b>							
Junction temperature	$T_j$	-40	–	150	°C	–	P_3.1.4
Storage temperature	$T_{stg}$	-50	–	150	°C	–	P_3.1.5
<b>ESD Susceptibility</b>							
ESD Absorption	$V_{ESD,HBM}$	-4	–	4	kV	Human Body Model (HBM) <sup>2)</sup>	P_3.1.6
ESD Absorption	$V_{ESD,CDM}$	-750	–	750	V	Charge Device Model (CDM) <sup>3)</sup> at all pins	P_3.1.7

1) not subject to production test, specified by design

2) ESD susceptibility, HBM according to ANSI/ESDA/JEDEC JS001 (1.5 kΩ, 100 pF)

3) ESD susceptibility, Charged Device Model “CDM” ESDA STM5.3.1 or ANSI/ESD S.5.3.1

*Note: Stresses above the ones listed here may cause permanent damage to the device. Exposure to absolute maximum rating conditions for extended periods may affect device reliability.*

1. *Integrated protection functions are designed to prevent IC destruction under fault conditions described in the data sheet. Fault conditions are considered as “outside” normal operating range. Protection functions are not designed for continuous repetitive operation.*

#### 3.2 Functional Range

**Table 2**

Parameter	Symbol	Values			Unit	Note or Test Condition	Number
		Min.	Typ.	Max.			
Input voltage	$V_I$	2.7	–	18	V	<sup>1)</sup>	P_3.2.1
Output Capacitor Requirements for Stability	$C_Q$	1	–	–	μF	<sup>2)</sup>	P_3.2.2

**General Product Characteristics**

**Table 2**

Parameter	Symbol	Values			Unit	Note or Test Condition	Number
		Min.	Typ.	Max.			
Output Capacitor Requirements for Stability	$ESR(C_Q)$	–	–	10	$\Omega$	<sup>3)</sup>	P_3.2.3
Junction temperature	$T_j$	-40	–	150	$^{\circ}\text{C}$	–	P_3.2.4

1) Regulation when  $V_I > V_{\text{drop}} + 5\text{V}$

2) The minimum output capacitance requirement is applicable for a worst case capacitance tolerance of 30%

3) relevant ESR value at  $f = 10\text{ kHz}$

*Note:* Within the functional or operating range, the IC operates as described in the circuit description. The electrical characteristics are specified within the conditions given in the Electrical Characteristics table.

**3.3 Thermal Resistance**

*Note:* This thermal data was generated in accordance with JEDEC JESD51 standards. For more information, go to [www.jedec.org](http://www.jedec.org).

**Table 3**

Parameter	Symbol	Values			Unit	Note or Test Condition	Number
		Min.	Typ.	Max.			
Junction to Ambient	$R_{\text{thJA}}$	–	81	–	K/W	2s2p board <sup>1)</sup>	P_3.3.1
Junction to Ambient	$R_{\text{thJA}}$	–	217	–	K/W	Footprint only <sup>2)</sup>	P_3.3.2
Junction to Ambient	$R_{\text{thJA}}$	–	117	–	K/W	300 mm <sup>2</sup> PCB heatsink area <sup>2)</sup>	P_3.3.3
Junction to Ambient	$R_{\text{thJA}}$	–	103	–	K/W	600 mm <sup>2</sup> PCB heatsink area <sup>2)</sup>	P_3.3.4
Junction to Soldering Point	$R_{\text{thJSP}}$	–	30	–	K/W	Pins 2, 5 fixed to $T_A$	P_3.3.5

1) Specified  $R_{\text{thJA}}$  value is according to JESD51-2,-5,-7 at natural convection on FR4 2s2p board; The product (chip+package) was simulated on a 76.2 x 114.3 x 1.5 mm board with 2 inner copper layers (2 x 70 $\mu\text{m}$  Cu, 2 x 35 $\mu\text{m}$  Cu). Where applicable a thermal via array next to the package contacted to the first inner copper layer.

2) Package mounted on PCB FR4; 80 x 80 x 1.5 mm; 35  $\mu\text{m}$  Cu, 5  $\mu\text{m}$  Sn; horizontal position; zero airflow. Not subject to production test; specified by design.

## 4 Voltage Regulator

### 4.1 Description Voltage Regulator

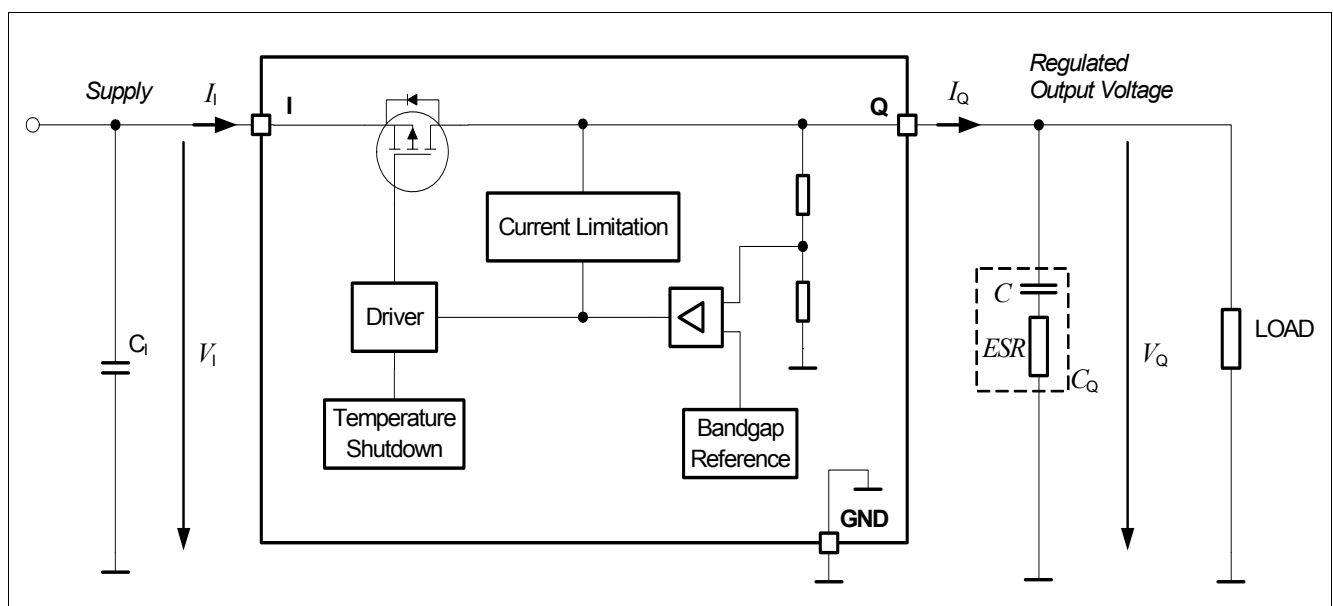
The output voltage  $V_Q$  is controlled as follows: It is divided by the resistor divider. This fraction is then compared to an internal reference and drives the pass transistor accordingly.

The control loop stability depends on the output capacitor  $C_O$ , the load current, the chip temperature and the circuit design. To ensure stable operation, the requirements for output capacitance and equivalent series resistance ESR, given in “**Functional Range**” on Page 6, have to be maintained. For details see also the typical stability graph of ESR versus load current on Page 11. As the output capacitor also has to buffer load steps it should be sized according to the needs of the application.

An input capacitor  $C_I$  is recommended to compensate line influences. Connect the capacitors close to the terminals of the component.

In case the load current is above the specified limit, e.g. in case of a short circuit, the output current limitation limits the current. The output voltage is therefore decreasing at the same time.

The overtemperature shutdown circuit prevents the IC from immediate destruction under fault conditions (e.g. output continuously short-circuited) by switching off the power stage. After the chip has cooled down, the regulator restarts. This leads to an oscillatory behavior of the output voltage until the fault is removed. However, junction temperatures above 150 °C are outside the maximum ratings and therefore significantly reduce the IC’s lifetime.



**Figure 3** Block Diagram Voltage Regulator Circuit

### 4.2 Electrical Characteristics Voltage Regulator



**Voltage Regulator**

**Table 4 Electrical Characteristics  $V_I = 6\text{ V}$ ;  $T_j = -40\text{ °C}$  to  $+150\text{ °C}$ ; all voltages with respect to ground (unless otherwise specified)**

Parameter	Symbol	Values			Unit	Note or Test Condition	Number
		Min.	Typ.	Max.			
Output Voltage	$V_Q$	4.85	5	5.15	V	$I_Q = 10\text{ mA}$ ; $T_j = 25\text{ °C}$	P_4.2.1
Output Voltage	$V_Q$	4.8	5	5.2	V	$I_Q = 10\text{ mA}$	P_4.2.2
Dropout Voltage <sup>1)</sup>	$V_{dr}$	–	290	570	mV	$I_Q = 150\text{ mA}$	P_4.2.3
Load Regulation	$\Delta V_Q$	-125	-40	–	mV	$I_Q = 1\text{ mA}$ to $150\text{ mA}$	P_4.2.4
Line Regulation	$\Delta V_Q$	–	2	40	mV	$V_I = 6\text{ V}$ to $10\text{ V}$ ; $I_Q = 1\text{ mA}$	P_4.2.5
Output Current Limitation	$I_Q$	151	300	–	mA	$0\text{ V} \leq V_Q \leq 4.5\text{ V}$	P_4.2.6
Power Supply Ripple Rejection <sup>2)</sup>	PSRR	–	58	–	dB	$f_r = 10\text{ kHz}$ ; $I_Q = 50\text{ mA}$ ; $T_j = 25\text{ °C}$ ; $V_{in} = 6\text{ V}$ ; $\Delta V_I = 1\text{ V}_{pp}$ ; $C_{out} = 1\text{ }\mu\text{F}$ (Ceramic Capacitor)	P_4.2.7
Overtemperature Shutdown Threshold	$T_{j,sd}$	151	170	190	°C	–	P_4.2.8

1) Dropout voltage is defined as the difference between input and output voltage when the output voltage decreases 100 mV from output voltage measured at  $V_I = V_{Q,nom} + 1\text{ V}$ ,  $I_{Load} = 150\text{ mA}$ .

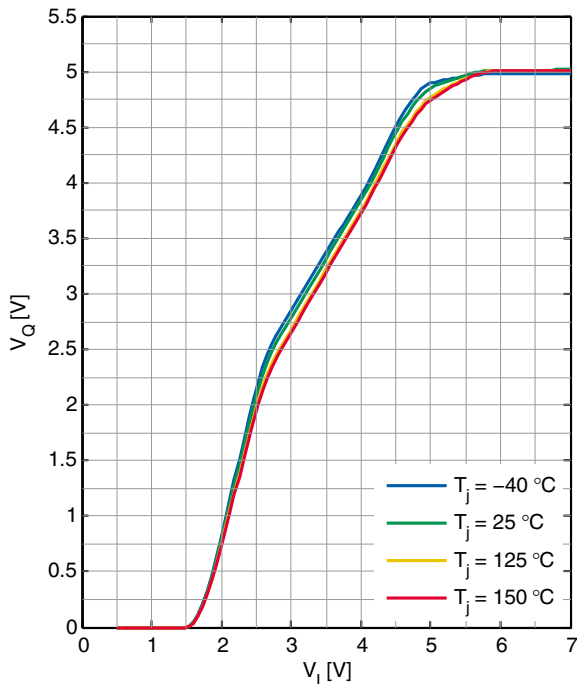
2) Parameter is not subject to production test, specified by design

**Voltage Regulator**

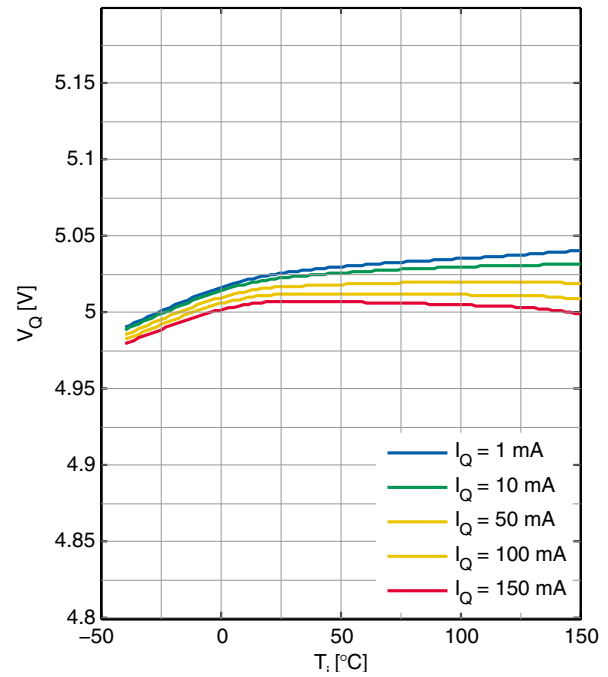
**4.3 Typical Performance Characteristics Voltage Regulator**

$V_{EN} = 5\text{ V}$  (unless otherwise noted)

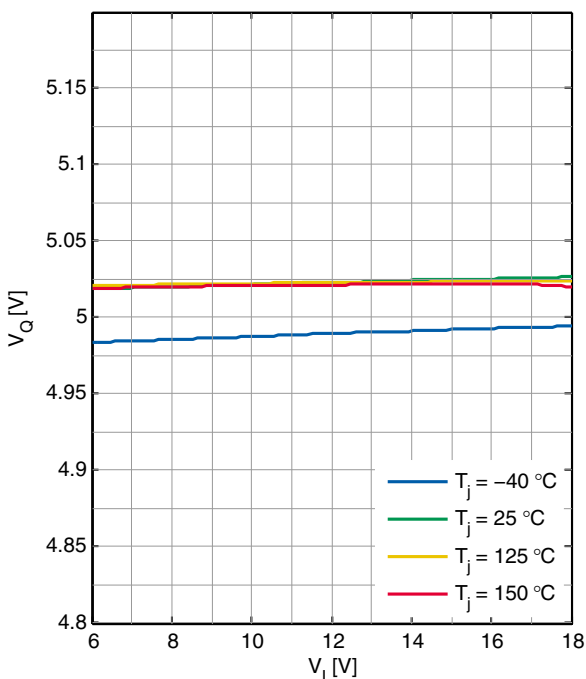
**Output Voltage  $V_Q$  vs. Input Voltage  $V_I$  (TLS202B1MB V50)**



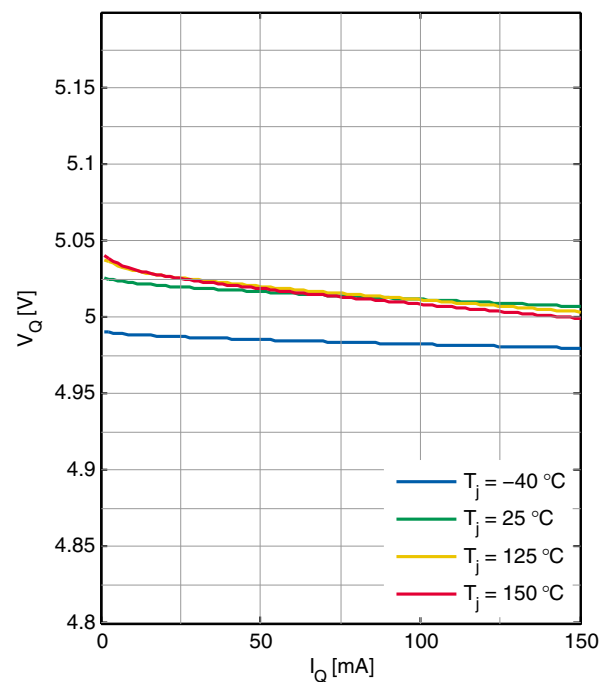
**Output Voltage  $V_Q$  vs. Junction Temperature  $T_j$  (TLS202B1MB V50)**



**Line Regulation Output Voltage  $V_Q$  vs. Input Voltage  $V_I$  (TLS202B1MB V50)**

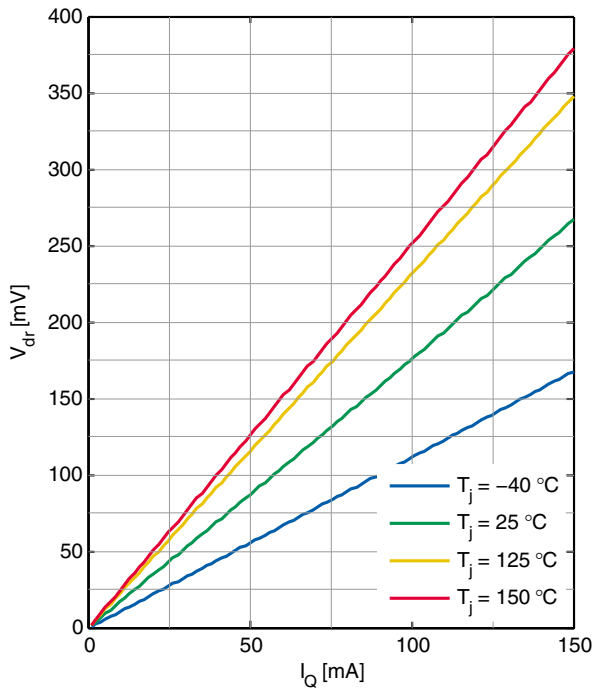


**Load Regulation Output Voltage  $V_Q$  vs. Load Current  $I_Q$  (TLS202B1MB V50)**

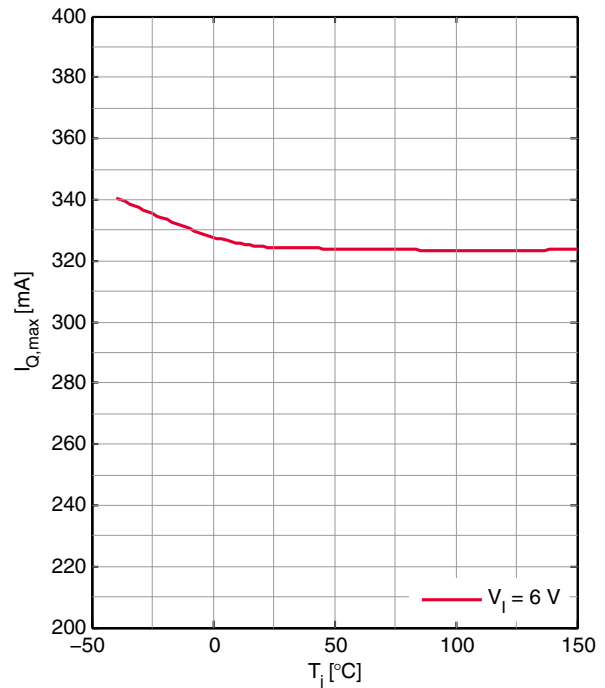


**Voltage Regulator**

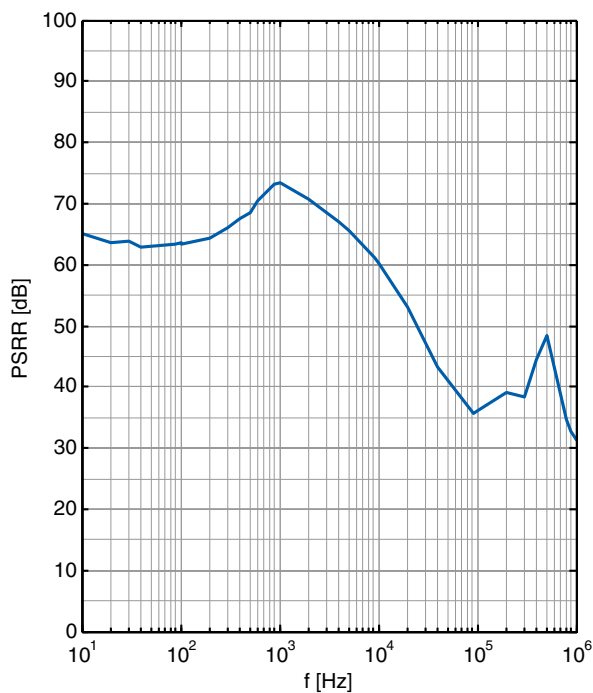
**Dropout Voltage  $V_{dr}$  vs. Load Current  $I_Q$  (TLS202B1MB V50)**



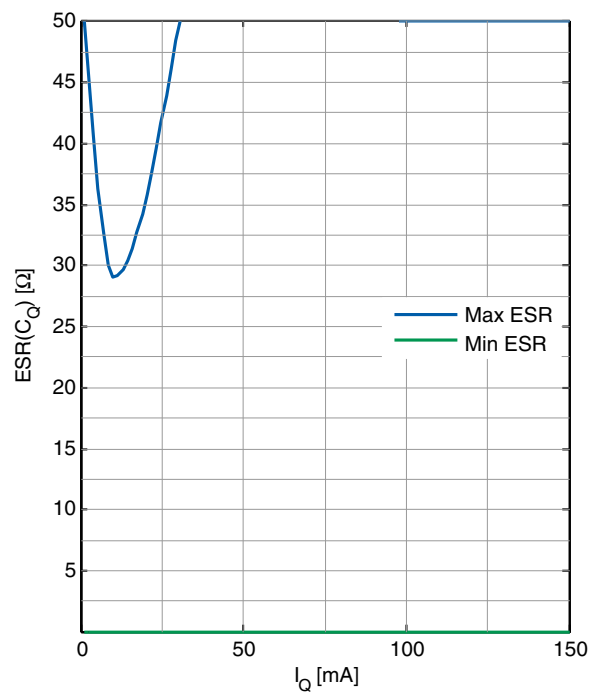
**Output Current Limitation  $I_{Q,max}$  vs. Junction Temperature  $T_j$  (TLS202B1MB V50)**



**PSRR vs. Frequency (TLS202B1MB V50)**



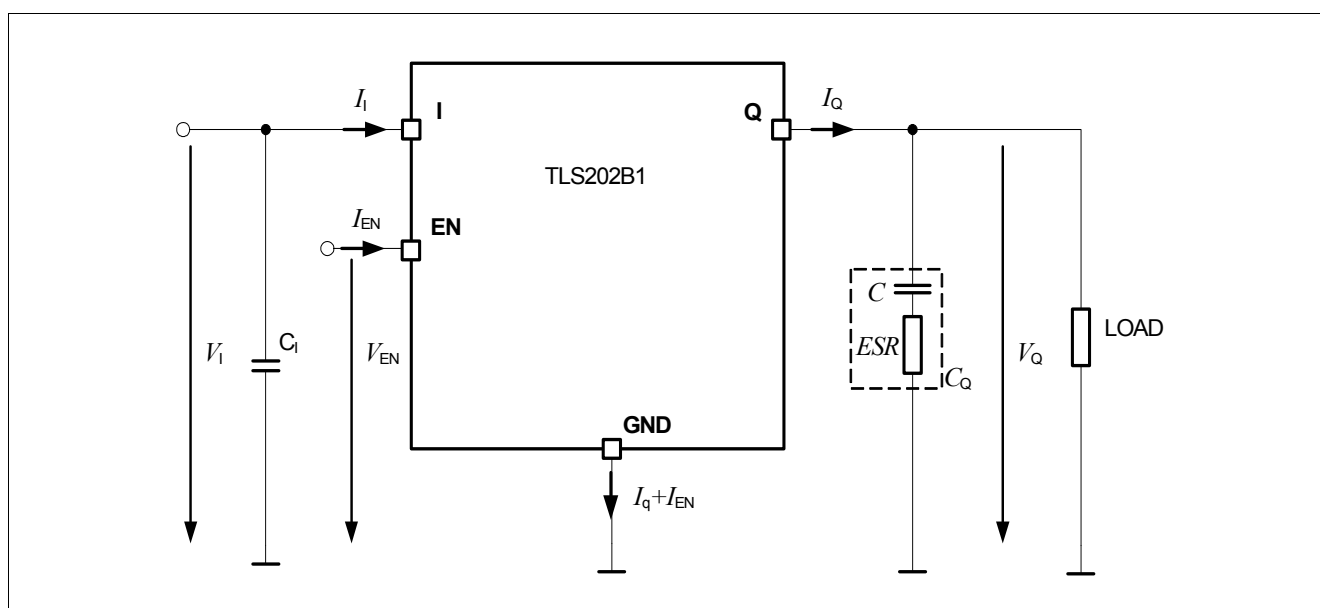
**Output Capacitor Series Resistance  $ESR(C_Q)$  vs. Output Current  $I_Q$  (TLS202B1MB V50)**



## 5 Current Consumption

### 5.1 Description Current Consumption

The Current Consumption of the device is characterizing the current the device needs to operate. The Quiescent Current is describing the Current Consumption in a very low load condition (e.g. the supplied microcontroller is in sleep mode). The TLS202B1V50 has an Enable functionality to shutdown the device, in case it is not needed. During shutdown the device has a very low Current Consumption. The Current Consumption of the device can be determined by measuring the Current flowing out of the GND Pin and defined as the delta between  $I_I$  and  $(I_Q + I_{EN})$ .



**Figure 4** Parameter Definition Current Consumption

### 5.2 Electrical Characteristics Current Consumption

**Table 5** Electrical Characteristics  $V_I = 6\text{ V}$ ;  $T_j = -40\text{ °C}$  to  $+150\text{ °C}$ ; all voltages with respect to ground (unless otherwise specified)

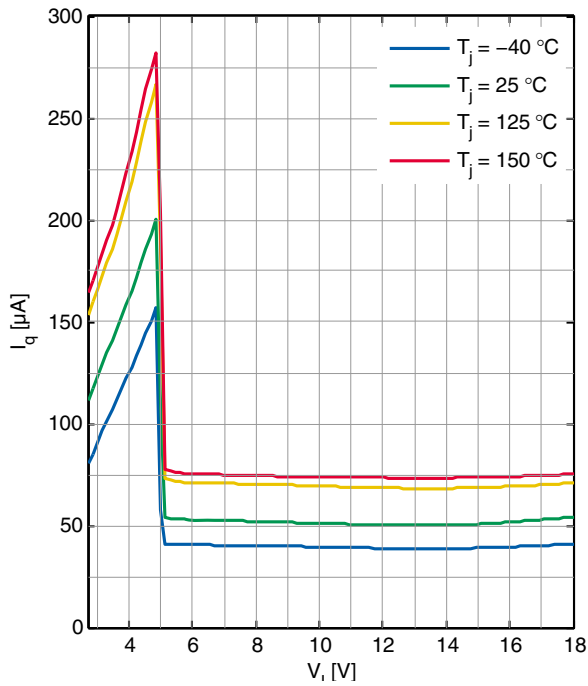
Parameter	Symbol	Values			Unit	Note or Test Condition	Number
		Min.	Typ.	Max.			
Quiescent Current $I_q = I_I - I_Q$	$I_q$	–	50	75	$\mu\text{A}$	$I_Q = 10\ \mu\text{A}$ ; $T_j = 25\text{ °C}$	P_5.2.1
Quiescent Current $I_q = I_I - I_Q$	$I_q$	–	–	100	$\mu\text{A}$	$I_Q = 10\ \mu\text{A}$ ; $T_j \leq 125\text{ °C}$	P_5.2.2
Current Consumption $I_q = I_I - I_Q$	$I_q$	–	150	200	$\mu\text{A}$	$I_Q = 50\ \text{mA}$	P_5.2.3
Quiescent Current in Shutdown	$I_{q,off}$	–	0.01	1	$\mu\text{A}$	$V_I = 6\text{ V}$ ; $V_{EN} = 0\text{ V}$ ; $T_j \leq 125\text{ °C}$ ; $V_Q = 0\text{ V}$	P_5.2.4

**Current Consumption**

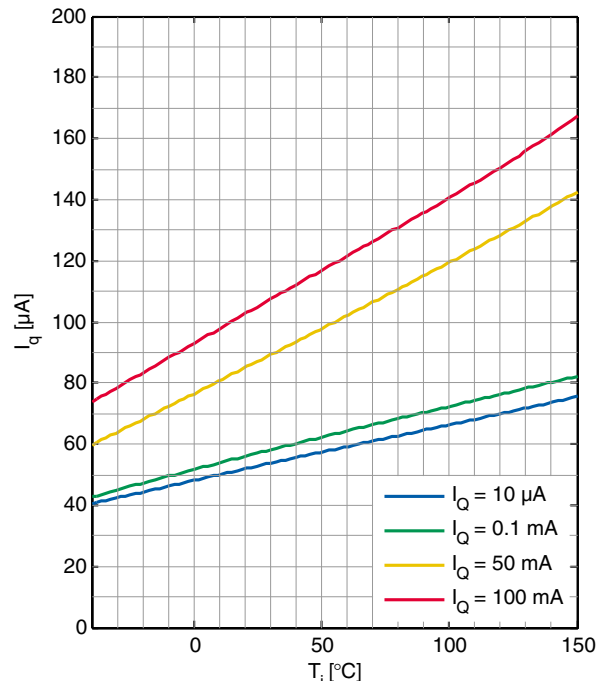
**5.3 Typical Performance Characteristics Current Consumption**

$V_{EN} = 5\text{ V}$  (unless otherwise noted)

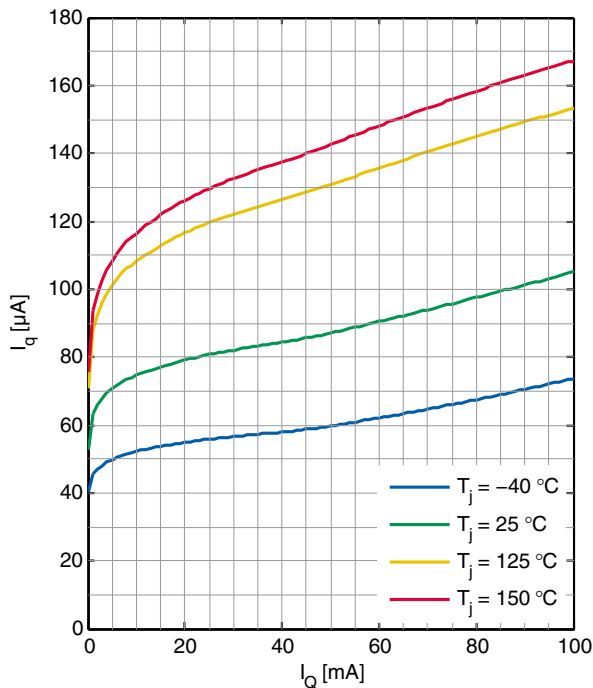
**Quiescent Current  $I_q$  vs. Input Voltage  $V_i$  (TLS202B1MB V50)**



**Current Consumption  $I_q$  vs. Junction Temperature  $T_j$  (TLS202B1MB V50)**



**Current Consumption  $I_q$  vs. Load Current  $I_Q$  (TLS202B1MB V50)**



**Enable Function**

## 6 Enable Function

### 6.1 Description Enable Function

The TLS202B1V50 can be turned on or turned off by the EN Input. The parameter  $V_{EN}$  is the voltage provided to the EN Pin as shown in **Figure 4 “Parameter Definition Current Consumption” on Page 12**.

With voltage levels lower than  $V_{EN,Lo}$  applied to the EN Input the device will be turned off. During this state the device is in shutdown with a very low current consumption  $I_{q,off}$ .

By changing the voltage at the EN Input from  $V_{EN,Lo}$  to  $V_{EN,Hi}$  will trigger the start-up of the device. For voltages higher than  $V_{EN,Hi}$  the device will regulate the output voltage to the nominal value.

### 6.2 Electrical Characteristics Enable Function

**Table 6 Electrical Characteristics  $V_I = 6\text{ V}$ ;  $T_j = -40\text{ °C}$  to  $+150\text{ °C}$ ; all voltages with respect to ground (unless otherwise specified)**

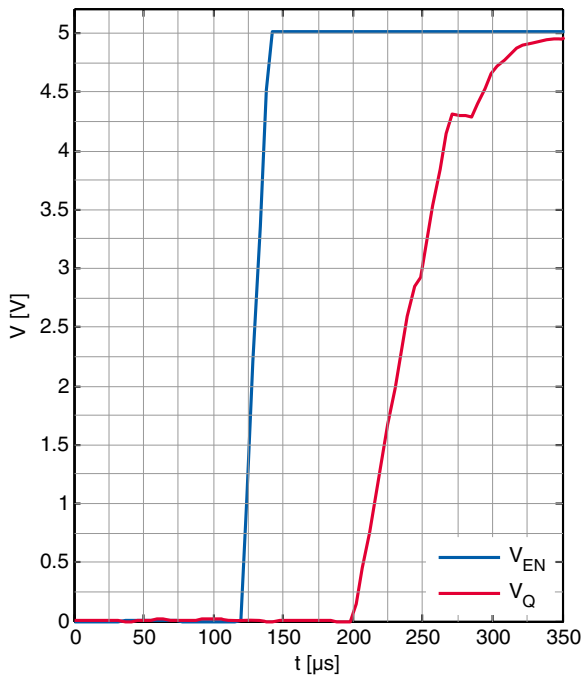
Parameter	Symbol	Values			Unit	Note or Test Condition	Number
		Min.	Typ.	Max.			
Enable High Voltage Level	$V_{EN,Hi}$	2	–	–	V	$V_{Q,on} \geq 4.75\text{ V}$	P_6.2.1
Enable Low Voltage Level	$V_{EN,Lo}$	–	–	0.4	V	$V_{Q,off} \leq 200\text{ mV}$	P_6.2.2
Enable Pin Current <sup>1)</sup>	$I_{EN}$	–	–	5	$\mu\text{A}$	$V_{EN} = 5\text{ V}$	P_6.2.3

1) Enable pin current flows into the EN pin.

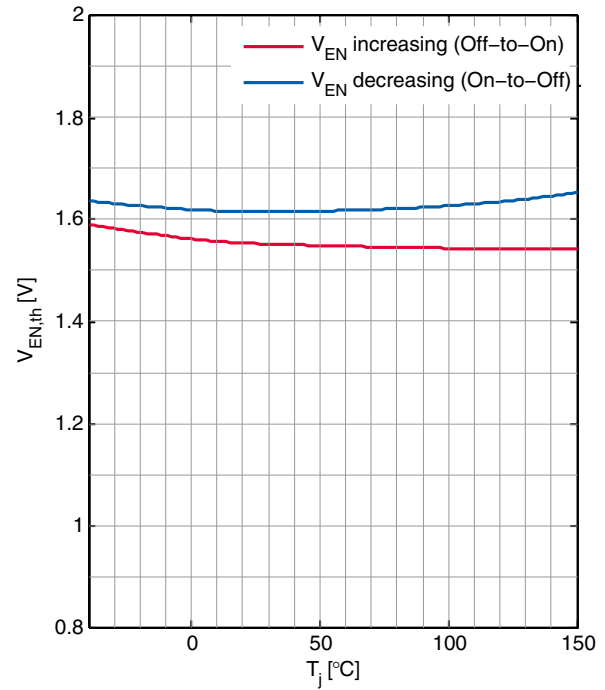
**Enable Function**

**6.3 Typical Performance Characteristics Enable Function**

**Power Up Timing (TLS202B1MB V50)**

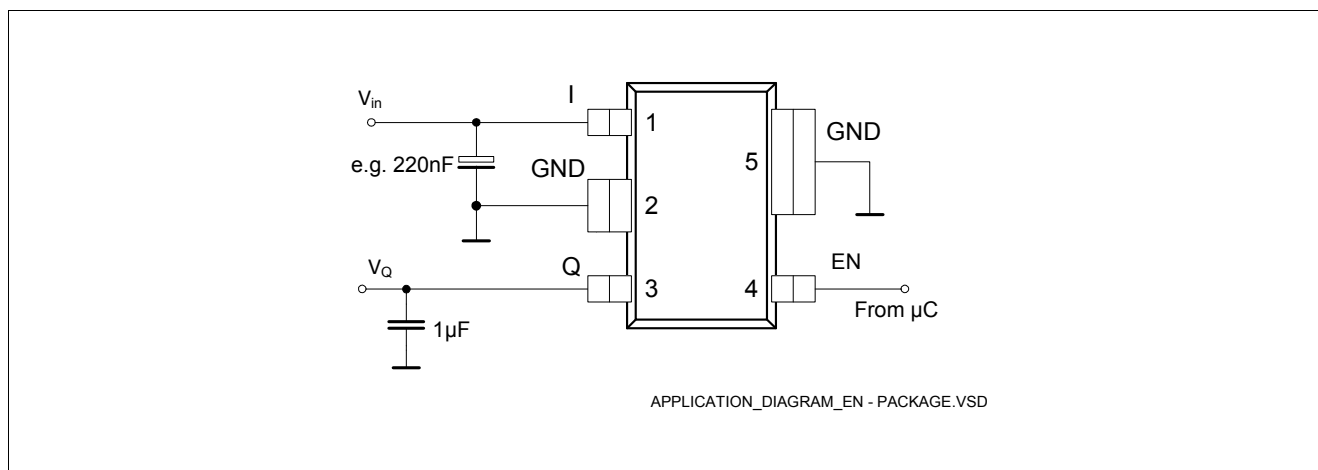


**Enable Thresholds  $V_{EN}$  vs. Junction Temperature  $T_j$  (TLS202B1MB V50)**



## 7 Application Information

*Note: The following information is given as a hint for the implementation of the device only and shall not be regarded as a description or warranty of a certain functionality, condition or quality of the device.*



**Figure 5 Application Diagram**

*Note: This is a very simplified example of an application circuit. The function must be verified in the real application.*

A typical application circuit of the TLS202B1V50 is shown in **Figure 5**. It shows a generic configuration of the voltage regulator, with the recommendable minimum number of components one should use. Theoretically, if there is no risk of high frequency noise at all, even the small input filter capacitor can be omitted. For a normal operation mode of the device only an output capacitor and a small ceramic input capacitor are needed. Depending on the application’s environment, additional components like an input buffer capacitor or a reverse polarity protection diode can be considered as well.

### Input Filter Capacitor $C_I$

A small ceramic capacitor (e.g. 220nF in **Figure 5**) at the device input helps filtering high frequency noise. To reach the best filter effect, this capacitor should be placed as close as possible to the input pin. The input filter capacitor does not have an influence on the stability of the regulation loop of the device, but in case of fast load changes an input capacitor can buffer the input voltage. Otherwise the parasitic inductance of the input line length can drop the input voltage at the IC terminals and influence the output voltage.

### Output Capacitor $C_O$

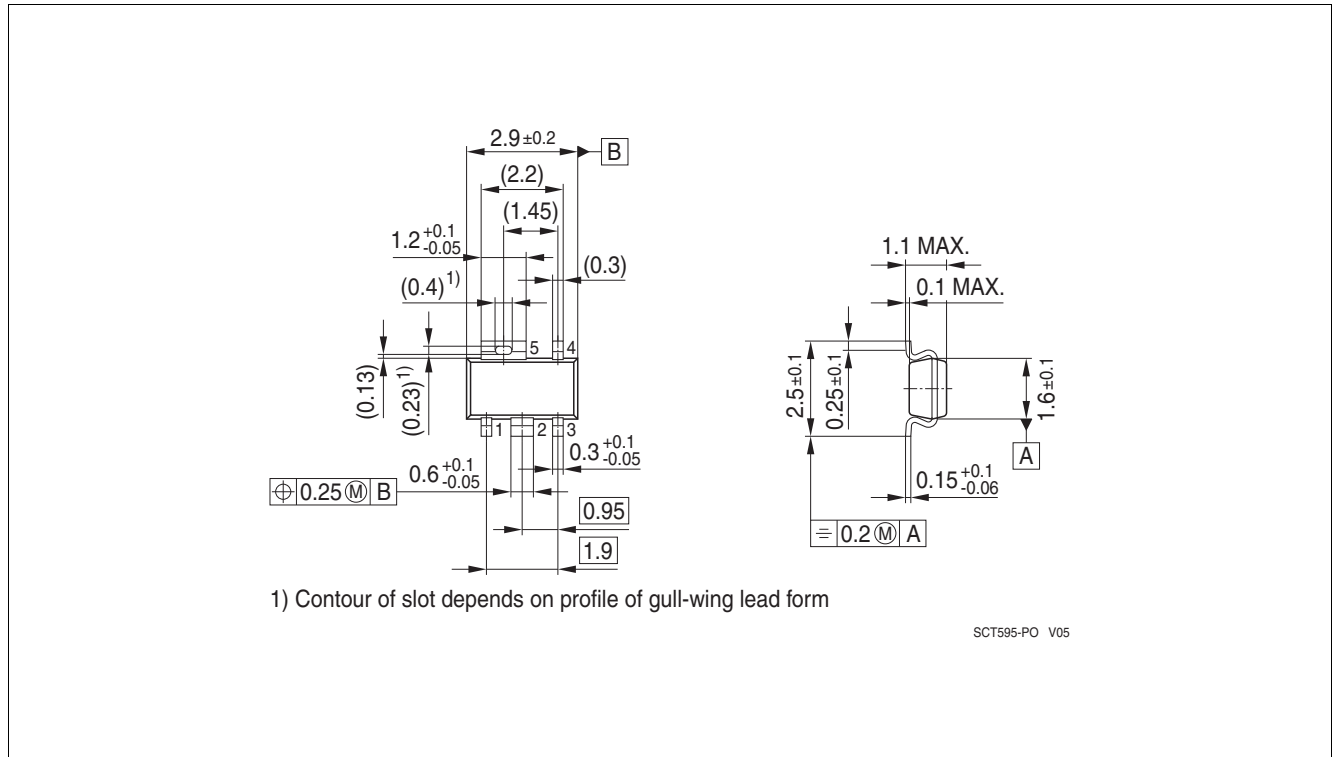
The output capacitor is the external component that is required in any case as it is a part of the device’s regulation loop. To maintain stability of this loop, the TLS202B1V50 requires at least an output capacitor respecting the values given in **“Functional Range” on Page 6**. The given parameters ensure a stable regulation loop in general, in case of fast load changes in the application the output capacitance may have to be increased according to the requirements for load responses.



**Package Outlines**

**8 Package Outlines**

The device is available in a very small surface mounted PG-SCT595 package.



**Figure 6 PG-SCT595**

**Green Product (RoHS compliant)**

To meet the world-wide customer requirements for environmentally friendly products and to be compliant with government regulations the device is available as a green product. Green products are RoHS-Compliant (i.e Pb-free finish on leads and suitable for Pb-free soldering according to IPC/JEDEC J-STD-020).

**Revision History**

## **9 Revision History**

<b>Revision</b>	<b>Date</b>	<b>Changes</b>
1.0	2016-09-12	Initial Data Sheet.

#### Trademarks of Infineon Technologies AG

μHVIC™, μIPM™, μPFC™, AU-ConvertIR™, AURIX™, C166™, CanPAK™, CIPOS™, CIPURSE™, CoolDP™, CoolGaN™, COOLiR™, CoolMOS™, CoolSET™, CoolSiC™, DAVE™, DI-POL™, DirectFET™, DrBlade™, EasyPIM™, EconoBRIDGE™, EconoDUAL™, EconoPACK™, EconoPIM™, EiceDRIVER™, eupec™, FCOS™, GaNpowIR™, HEXFET™, HITFET™, HybridPACK™, iMOTION™, IRAM™, ISOFACE™, IsoPACK™, LEDriviR™, LITIX™, MIPAQ™, ModSTACK™, my-d™, NovalithIC™, OPTIGA™, OptiMOS™, ORIGA™, PowIRaudio™, PowIRstage™, PrimePACK™, PrimeSTACK™, PROFET™, PRO-SIL™, RASIC™, REAL3™, SmartLEWIS™, SOLID FLASH™, SPOC™, StrongIRFET™, SupIRBuck™, TEMPFET™, TRENCHSTOP™, TriCore™, UHVIC™, XHP™, XMC™.

Trademarks updated November 2015

#### Other Trademarks

All referenced product or service names and trademarks are the property of their respective owners.

**Edition 2017-05-31**

**Published by**

**Infineon Technologies AG**

**81726 Munich, Germany**

**© 2017 Infineon Technologies AG.**

**All Rights Reserved.**

**Do you have a question about any aspect of this document?**

**Email: [erratum@infineon.com](mailto:erratum@infineon.com)**

#### IMPORTANT NOTICE

The information given in this document shall in no event be regarded as a guarantee of conditions or characteristics ("Beschaffheitsgarantie").

With respect to any examples, hints or any typical values stated herein and/or any information regarding the application of the product, Infineon Technologies hereby disclaims any and all warranties and liabilities of any kind, including without limitation warranties of non-infringement of intellectual property rights of any third party.

In addition, any information given in this document is subject to customer's compliance with its obligations stated in this document and any applicable legal requirements, norms and standards concerning customer's products and any use of the product of Infineon Technologies in customer's applications.

The data contained in this document is exclusively intended for technically trained staff. It is the responsibility of customer's technical departments to evaluate the suitability of the product for the intended application and the completeness of the product information given in this document with respect to such application.

For further information on technology, delivery terms and conditions and prices, please contact the nearest Infineon Technologies Office ([www.infineon.com](http://www.infineon.com)).

#### WARNINGS

Due to technical requirements products may contain dangerous substances. For information on the types in question please contact your nearest Infineon Technologies office.

Except as otherwise explicitly approved by Infineon Technologies in a written document signed by authorized representatives of Infineon Technologies, Infineon Technologies' products may not be used in any applications where a failure of the product or any consequences of the use thereof can reasonably be expected to result in personal injury.

## X-ON Electronics

Largest Supplier of Electrical and Electronic Components

*Click to view similar products for [LDO Voltage Regulators](#) category:*

*Click to view products by [Infineon](#) manufacturer:*

Other Similar products are found below :

[AP7363-SP-13](#) [NCV8664CST33T3G](#) [L79M05TL-E](#) [AP7362-HA-7](#) [PT7M8202B12TA5EX](#) [TCR3DF185,LM\(CT](#) [TLF4949EJ](#)  
[NCP4687DH15T1G](#) [NCV8703MX30TCG](#) [LP2951CN](#) [NCV4269CPD50R2G](#) [AP7315-25W5-7](#) [NCV47411PAAJR2G](#) [AP2111H-1.2TRG1](#)  
[ZLDO1117QK50TC](#) [AZ1117ID-ADJTRG1](#) [NCV4263-2CPD50R2G](#) [NCP114BMX075TCG](#) [MC33269T-3.5G](#) [TLE4471GXT](#) [AP7315-33SA-](#)  
[7](#) [NCV4266-2CST33T3G](#) [NCP715SQ15T2G](#) [NCV8623MN-50R2G](#) [NCV563SQ18T1G](#) [NCV8664CDT33RKG](#) [NCV4299CD250R2G](#)  
[NCP715MX30TBG](#) [NCV8702MX25TCG](#) [TLE7270-2E](#) [NCV562SQ25T1G](#) [AP2213D-3.3TRG1](#) [AP2202K-2.6TRE1](#)  
[NCV8170BMX300TCG](#) [NCV8152MX300180TCG](#) [NCP700CMT45TBG](#) [AP7315-33W5-7](#) [NCP154MX180300TAG](#) [AP2113AMTR-G1](#)  
[NJV4104U2-33A-TE1](#) [MP2013AGG-5-P](#) [NCV8775CDT50RKG](#) [NJM2878F3-45-TE1](#) [S-19214B00A-V5T2U7](#) [S-19214B50A-V5T2U7](#) [S-](#)  
[19213B50A-V5T2U7](#) [S-19214BC0A-E8T1U7\\*1](#) [S-19213B00A-V5T2U7](#) [S-19213B33A-V5T2U7](#) [S-19213BC0A-V5T2U7](#)