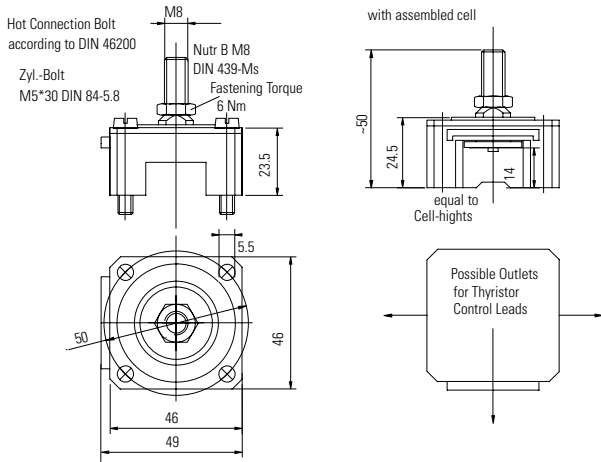
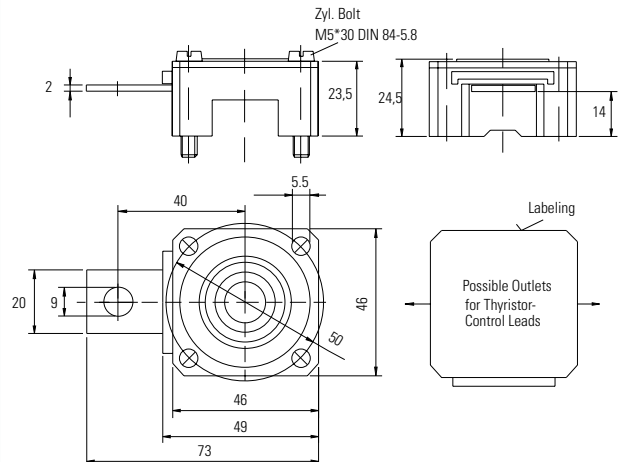


V50..M



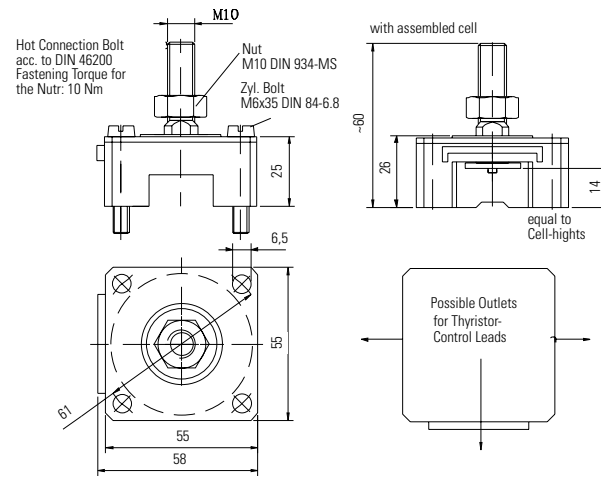
type designation	ordering code	clamping force [kN]	suitable for Ø [mm] housings	height [mm]	minimum creepage [mm] distance
V50-14.45M	SP000096563	4.5	42	14	11
V50-14.60M	SP000096564	6.0	42	14	11

V50..N



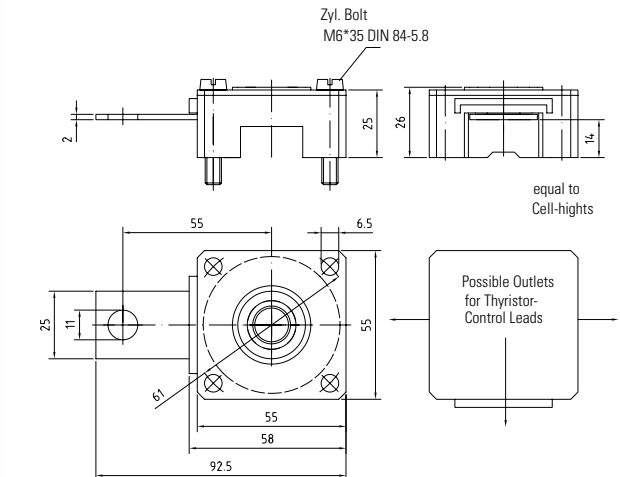
type designation	ordering code	clamping force [kN]	suitable for Ø [mm] housings	height [mm]	minimum creepage [mm] distance
V50-14.45N	SP000090625	4.5	42	14	11
V50-14.60N	SP000090626	6.0	42	14	11

V61..M



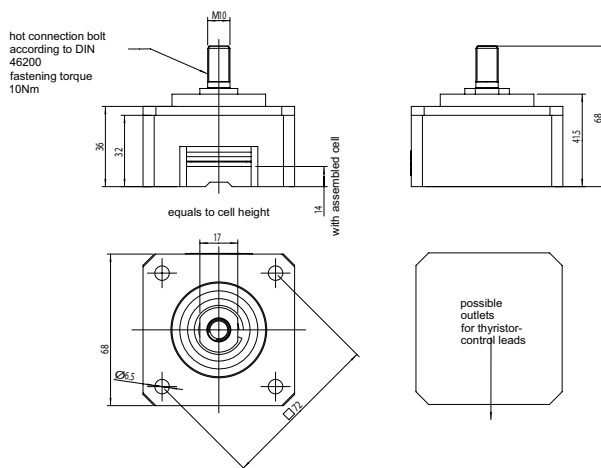
type designation	ordering code	clamping force [kN]	suitable for Ø [mm] housings	height [mm]	minimum creepage [mm] distance
V61-14.80M	SP000096565	8.0	48	14	11

V61..N



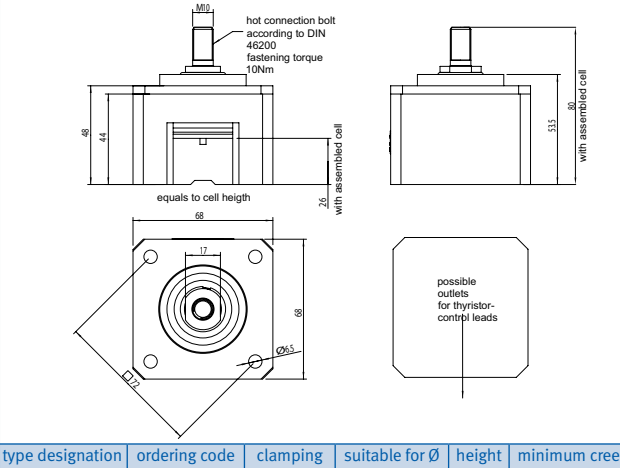
type designation	ordering code	clamping force [kN]	suitable for Ø [mm] housings	height [mm]	minimum creepage [mm] distance
V61-14.80N	SP000090627	8.0	48	14	11

V72-14..M



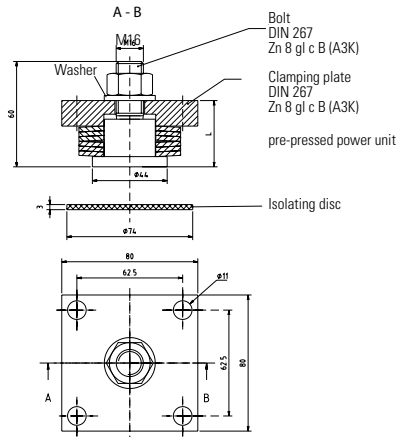
type designation	ordering code	clamping force [kN]	suitable for Ø [mm] housings	height [mm]	minimum creepage [mm] distance
V72-14.150M	SP000096566	15.0	58	14	11

V72-26..M



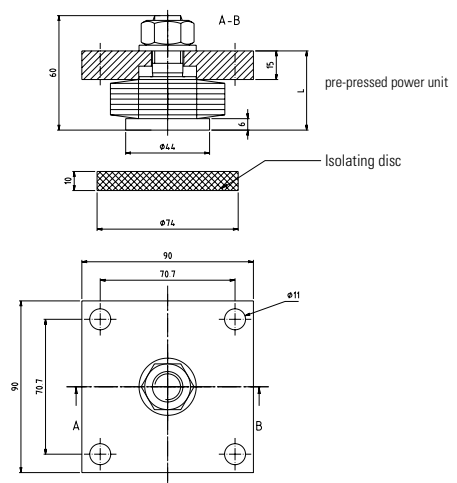
type designation	ordering code	clamping force [kN]	suitable for Ø [mm] housings	height [mm]	minimum creepage [mm] distance
V72-26.80M	SP000096569	8.0	58	26	23
V72-26.120M	SP000096567	12.0	58	26	23
V72-26.150M	SP000096568	15.0	58	26	23

V 89



type designation	ordering code	clamping force [kN]	suitable for housings	
			Ø [mm]	height [mm]
V89-26.170N	SP000358597	17	75	26
V89-26.300N	SP000090624	30	75	26
V89-26.400N	SP000090662	40	75	26

V 100



type designation	ordering code	clamping force [kN]	suitable for housings	
			Ø [mm]	height [mm]
V100-35.200N	SP000090635	20	75	26

X-ON Electronics

Largest Supplier of Electrical and Electronic Components

Click to view similar products for [Circuit Board Hardware - PCB category](#):

Click to view products by [Infineon manufacturer](#):

Other Similar products are found below :

[8919-0-00-15-00-00-03-0](#) [0135-0-15-01-30-27-04-0](#) [5970-1-15-01-32-14-04-0](#) [0149-0-15-15-30-27-04-0](#) [MBI 1 BLUE](#) [7305-0-15-15-47-14-10-0](#) [MLN 150/1 BLACK](#) [8579-0-15-80-11-27-10-0](#) [8579-1-15-15-11-27-10-0](#) [8830-0-15-01-22-14-10-0](#) [8836-0-00-21-00-00-03-0](#) [PRUEF 2 RED](#) [9976-0-00-00-00-00-03-0](#) [PW1616](#) [1215-3-05-00-00-00-01-0](#) [1231](#) [1303-0-15-15-47-14-04-0](#) [1404-3](#) [1404-4](#) [1406-4](#) [1407-3](#) [1406-3](#) [1407-4](#) [1408-3](#) [1424-4](#) [1427-3](#) [1419-4](#) [1426-4](#) [1548-103](#) [1938-0-00-00-00-00-03-0](#) [1942-0-00-00-00-00-03-0](#) [2101-3-00-44-00-00-07-0](#) [2108-2-00-50-00-00-07-0](#) [2109-2-00-44-00-00-07-0](#) [2110-2-00-44-00-00-07-0](#) [2111-2-00-00-00-00-07-0](#) [2113-4-00-44-00-00-07-0](#) [2301-3-00-44-00-00-07-0](#) [2308-1-00-50-00-00-07-0](#) [2313-2-00-00-00-00-07-0](#) [2315-2-01-44-00-00-07-0](#) [2333-1-00-50-00-00-07-0](#) [9000-0-00-00-00-00-03-0](#) [2506-2-00-50-00-00-07-0](#) [2507-2-01-44-00-00-07-0](#) [2508-2-00-44-00-00-07-0](#) [2561-2-00-44-00-00-07-0](#) [9220](#) [9234-0-15-15-30-14-10-0](#) [LAS S G BLACK](#)