

# 規格承認書

PECIFICATION FOR APPROVAL

客戶  
CUSTOMER : 通用型规格书  
項目  
ITEM : 驻极体电容咪头（ECM）单指向  
型號  
TYPE : GMBU6027CSC-03-48~-57DB  
描述  
DESCRIPTION :  $\phi 6.0 \times 2.7 \text{ MM}$  焊点 1033 范围-48~-57+/-3 dB  $\leq 2.2\text{K}\Omega$  S/N:  $\geq 60 \text{ dBA}$   
客戶料號  
CUSTOMER NO. :  
規格書號  
SPECIFICATION NO.: 会议、头戴、直播产品专用  
版本  
EDITION NO. : V1.0  
日期  
DATE : 2023-2-15

## 客戶承認

### CUSTOMER CONFIRM AND SIGN

檢查 TESTED BY	審核 CHECKED BY	承認 APPROVED BY

東莞市贏海電子有限公司

**DONGUAN INGHAI ELECTRONICS CO.,LTD**

製作 ISSUED BY	審查 CHECKED BY	確認 APPROVED BY
周明	李勇	

地址：廣東省東莞市長安鎮新崗路 43 號華茂大廈 15 樓  
電話 / TEL: 0769-83060958 傳真 / FAX: 0769-81608993  
網址: [HTTP://WWW.INGHAI.COM](http://www.inghai.com)

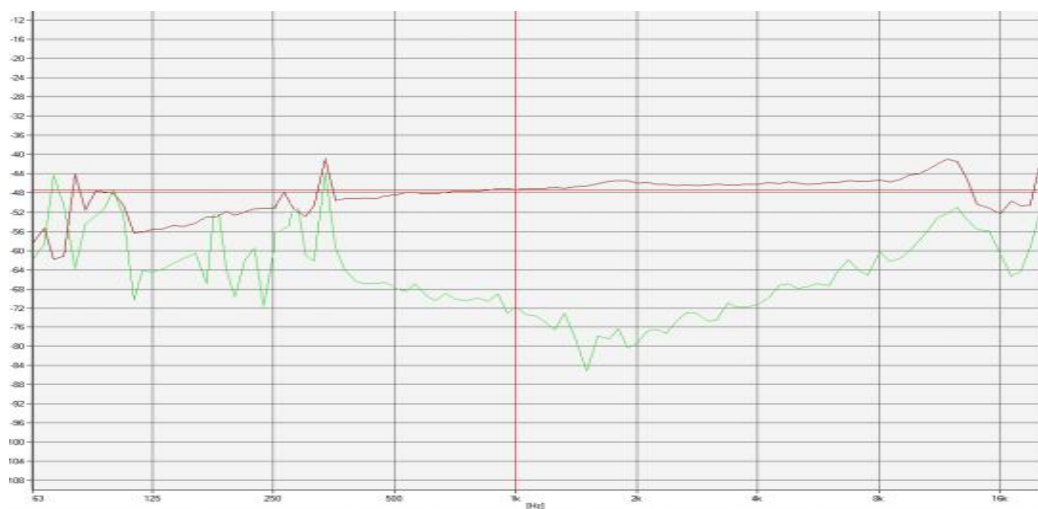
## 1. Electrical characteristics:

Directivity	Unidirectional
Pb contanation Requirement	Lead free
Charging type	Back plate
Sensitivity	$-48 \sim 57 \pm 2\text{dB}$ ( $0\text{dB}=1\text{V}/\text{Pa}$ , $1\text{KHz}$ )
Output impedance	Low impedance
Standard operating voltage	1.5V
Operating voltage range	1V-10V
Current consumption	less than $500 \mu\text{A}$
Voltage deduction characteristic	Within 3dB at 1.5V
S/N Ratio	More than 60dB (SPL=1Pa, 1KHz, A-weighting)

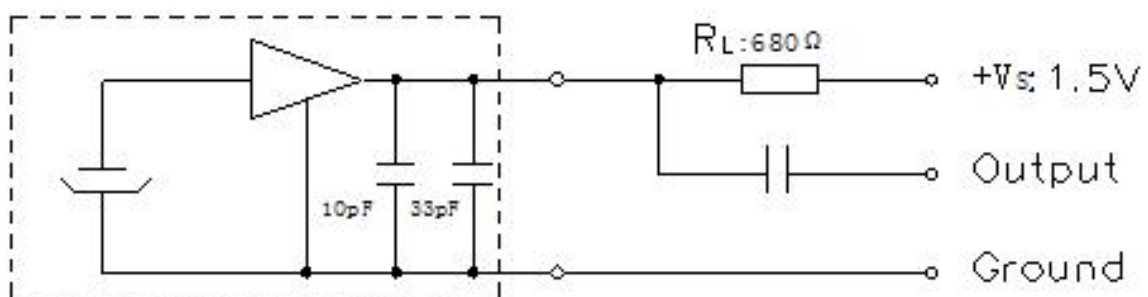
## 2. Frequency Response and Schematic Diagram:

### 2.1 Typical Frequency Response Curve:

Frequency Response



### 2.2 Schematic Diagram:

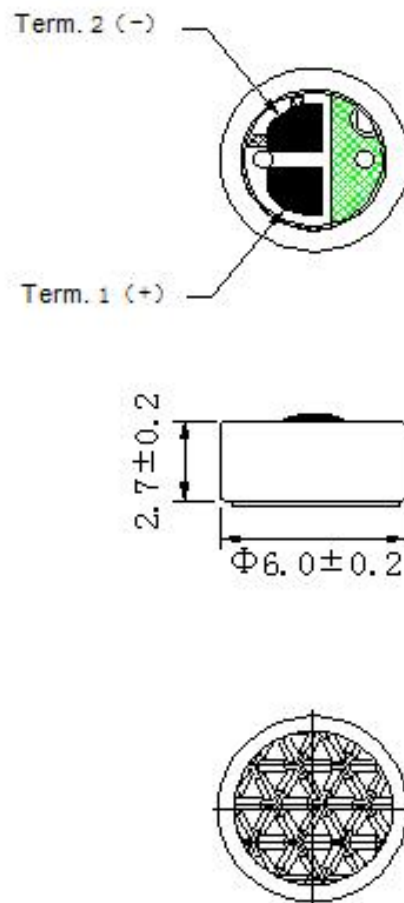


### 3. Mechanical characteristics:

3.1 Weight: Less than 0.6g

3.2 Dimension:

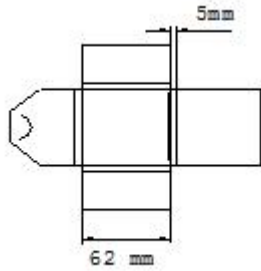
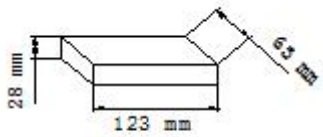
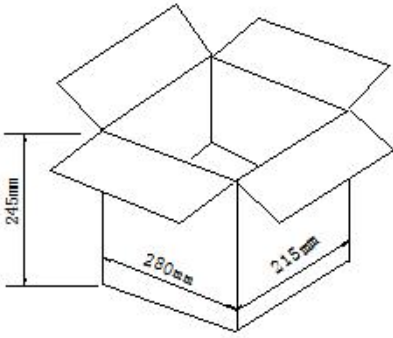
Unit: mm



### 4. Soldering Condition

- 4.1 The soldering copper of a small type of 13~20W shall be applied.
- 4.2 The temperature of the working surface of the soldering copper shall be below 320°C.
- 4.3 ECM shall be soldered fixed on the metal block (heat sink), which has the higher radiation effects said heat sink shall contact with of ECM.
- 4.4 The soldering time for each terminal shall be 1~2 sec.
- 4.5 The pinhole after soldering shall be avoided.
- 4.6 ECM may easily destroyed by the static electricity and the countermeasure for eliminating the static electricity (the ground for soldering copper, for worktable and for human body) shall be executed

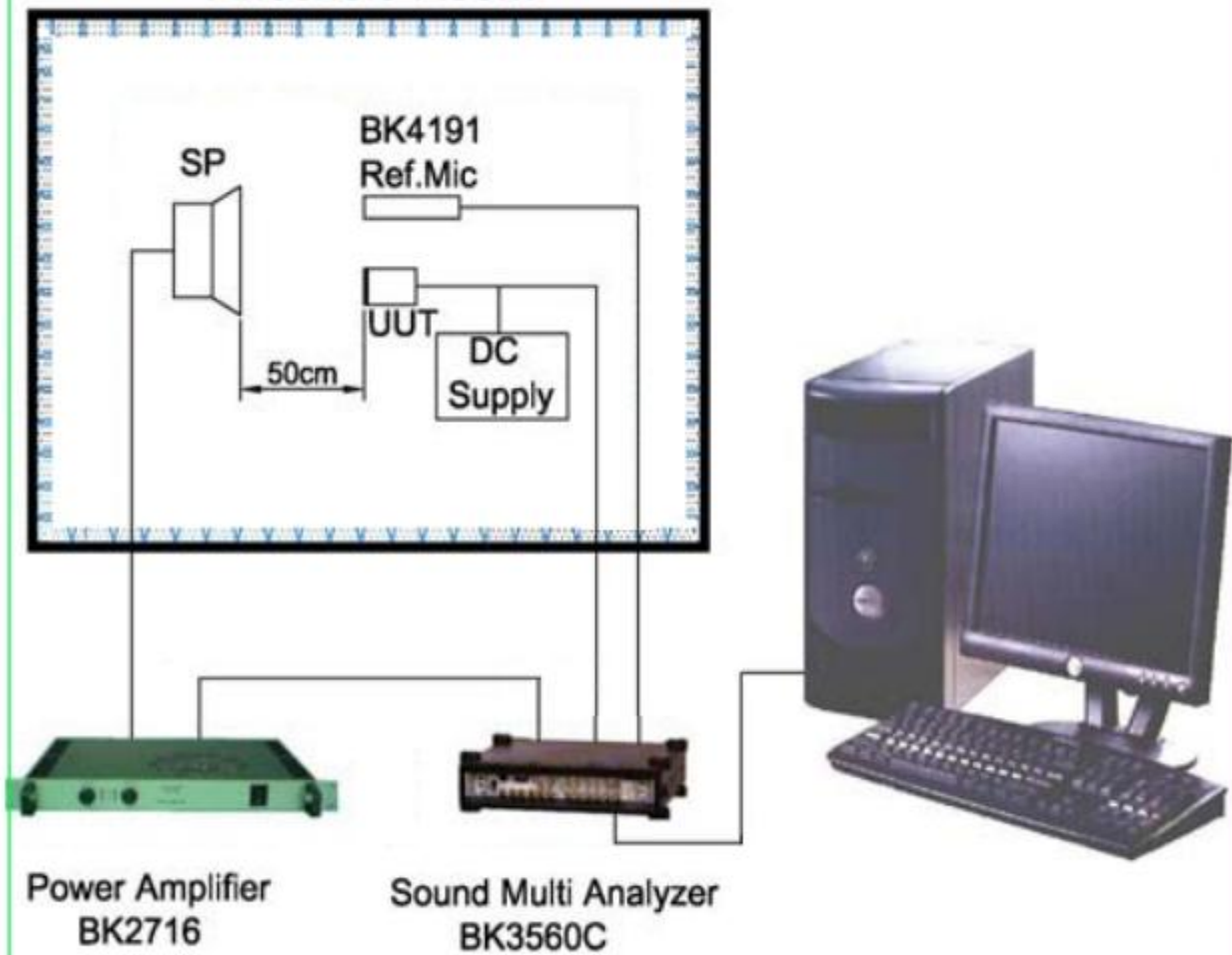
## 5.PACKAGING:

<p>小包装</p>	<p>SMALL PACKET 62mm*62mm*5mm 100PCS</p>	 <p>5mm 62 mm</p>
<p>中包装</p>	<p>MID PACKET: 123mm*63mm*28mm 1000PCS</p>	 <p>28 mm 123 mm 63 mm</p> <p>中包装盒 (1000只)</p>
<p>大包装</p>	<p>PAPER CASE: 280mm*215mm*245mm 48000PCS</p>	 <p>245mm 280mm 215mm</p> <p>大包装箱 (48000只)</p>

## 6. TEST SETUP DRAWING

### Standard Frequency Response Test

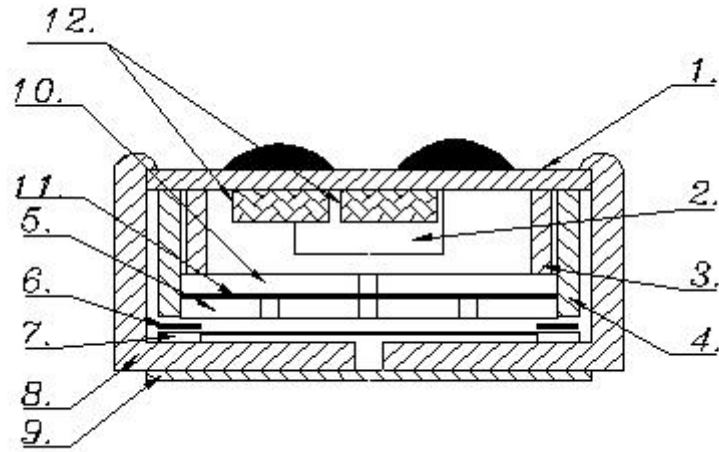
#### Anechoic Room



## 7. Reliability test:

	Item	Test condition	Evaluation
1	High temperature Test	The part shall be capable of with- standing a storage temperature of +70 °C for 200 hours.	After the test the ECM unit shall meet the requirement of no more than ±3dB variation from initial sensitivity after 2 hours recovering.
2	Low temperature Test	The part shall be capable of with- standing a storage temperature of -20 °C for 200 hours.	
3	Temperature cycle test	The part shall be subjected to 5 cycle. One cycle shall consist of ( +70 °C ,30min → Room temp(+20°C), 10min→-20°C30min →Room temp(+20°C), 10min)	
4	Humidity Test	The part shall be capable of with- standing a storage of humidity of 90 ~ 95% at the +40°C for 200 hours.	
5	Drop Test	The microphone unit without package must be subjected to each 3 drops at three axes from the height of 1 meter to 20 mm thick hardwood board.	
6	Vibration Test	The microphone unit must be subjected to each 2 hours vibrations at three axes 2mm dynamic range, 10~50Hz/minute.	
7	Soldering Heat Resistance	Soldering iron of +330 ± 5 °C should be placed on the terminal for 2±0.5 seconds.	

## 8.Drawing



1	PCB	7	背极膜
2	FET	8	外壳
3	连接环	9	防水网
4	塑环	10	单孔极板
5	背极板	11	阻尼网
6	垫片	12	电容

## X-ON Electronics

Largest Supplier of Electrical and Electronic Components

*Click to view similar products for [Microphones](#) category:*

*Click to view products by [INGHAI](#) manufacturer:*

Other Similar products are found below :

[BCM4013OLFC-42-JST-ZHR-2](#) [FG-23329-P142](#) [SPM04C-38/1186-T/R](#) [B4013AM423-092](#) [KECG2242CBL-G01](#) [KEAG4544PF-K](#)  
[KECG1544WB-G01](#) [KEAG6536PF-D](#) [GMDO9445CST-45DB](#) [GMDU9750ASN-36B-54DB](#) [KECG2234WBL-30L](#) [B4013AM423-103](#)  
[CMR-2747PB-A](#) [GMBU4015CSC-50DB](#) [GMDU9750ASN-36B-52DB](#) [GMBU16065CSC-02-43DB](#) [GMBU14065CSC-44DB](#)  
[GMBU6027CSC-03-52DB](#) [GMDU9750ASN-36B-48DB](#) [GMDU9750CSD-02-47DB](#) [GMBO3015GSB-45DB](#) [GMDO9445CST-43DB](#)  
[GMDU9750ASN-36B-46DB](#) [GMDU9750ASN-36B-50DB](#) [GMDU9750CSD-02-43DB](#) [GMI6025A3-912-1.2R](#) [GMBU6027CSC-03-50DB](#)  
[GMI6025P3-915-1.8R](#) [GMBU16065CSC-01-43DB](#) [GMBU14065CSC-46DB](#) [GMBU16065CSC-02-45DB](#) [GMI6025P3-912-1.2R](#)  
[GMBU16065CSC-02-41DB](#) [GMBU4015CSC-52DB](#) [GMI6025A6-911-1.0R](#) [GMBU4015CSC-54DB](#) [GMDU9750CSD-02-45DB](#)  
[GMBU16065CSC-01-45DB](#) [GMBU6027CSC-03-54DB](#) [GMDO9445CST-47DB](#) [GMBU14065CSC-42DB](#) [GMDU9750ASN-36B-44DB](#)  
[GMBU16065CSC-01-41DB](#) [BCM9745-44](#) [BCM9765](#) [LD-MC-0905P](#) [LD-MC-9765](#) [EM-4015-BC](#) [EM-4530-C](#) [EM-6022S](#)