

# 規格承認書

PECIFICATION FOR APPROVAL

客戶  
CUSTOMER : \_\_\_\_\_  
項目  
ITEM : 电磁无源一体蜂鸣器（外部驱动）  
型號  
TYPE : GMC0942YB-8-42R2700  
描述  
DESCRIPTION :  $\phi 9.0 \times H4.2 \text{ mm}$  2700Hz 8-42  $\Omega$  /1.5-7V  $\geq 80\text{dB}$  PBT 材质 P=4.0mm  
客戶料號  
CUSTOMER NO. : \_\_\_\_\_  
規格書號  
SPECIFICATION NO.: \_\_\_\_\_  
版本  
EDITION NO. : V1.1  
日期  
DATE : 20

## 客戶承認

### CUSTOMER CONFIRM AND SIGN

| 檢查<br>TESTED BY | 審核<br>CHECKED BY | 承認<br>APPROVED BY |
|-----------------|------------------|-------------------|
|                 |                  |                   |

## 東莞市贏海電子有限公司

### DONGUAN INGHAI ELECTRONICS CO.,LTD

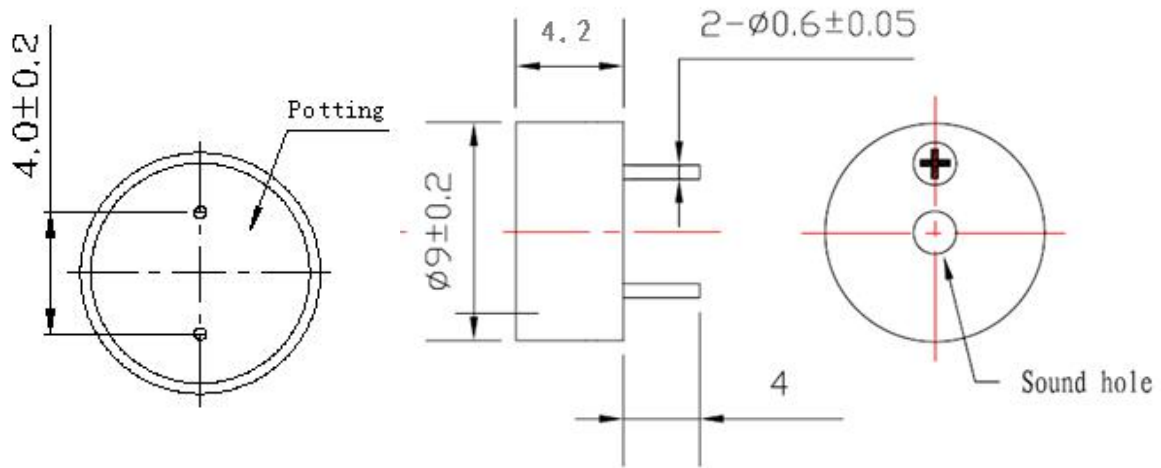
| 製作<br>ISSUED BY | 審查<br>CHECKED BY | 確認<br>APPROVED BY |
|-----------------|------------------|-------------------|
| 周明              | 刘承成              |                   |

地址：广东省东莞市长安镇上沙第五工业区新春路 1 号新春科技园  
号電話 / TEL: 0769-83060958 傳真 / FAX: 0769-81608993  
網址: [HTTP://WWW.INGHAI.COM](http://www.inghai.com)

# DONGGUAN INGHAI ELECTRONICS CO.,LTD

Model NO: GMC0942YB-8~42R2700

A: DIMENSIONS: Unit:mm Tolerance:  $\pm 0.2$



## B: SPECIFICATIONS

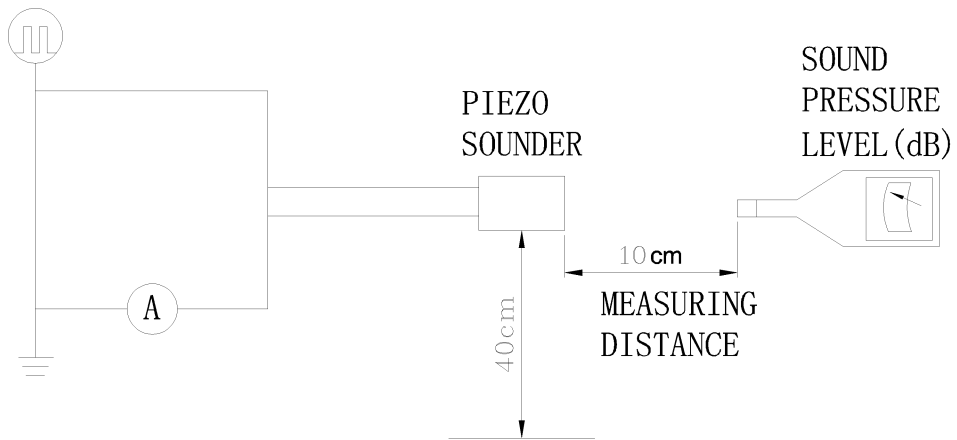
|                                       |  |
|---------------------------------------|--|
| Model NO                              | GMC0942YB                                      |
| Rated Voltage                         | 1.5-7V   |
| Operating Voltage                     | 1.5-7V   |
| Max.Rated Current                     | Max.60mA                                       |
| Sound Pressure level(dB)at10cm/2700HZ | Min.100dB                                      |
| Resonant Frequency                    | 2700Hz   |
| Coil Resistance                       | 8-42 $\pm 15\%$ $\Omega$                       |
| Operating Temperature                 | -20 $^{\circ}\text{C}$ ~+70 $^{\circ}\text{C}$ |
| Storage Temperature                   | -30 $^{\circ}\text{C}$ ~+80 $^{\circ}\text{C}$ |
| Case material and color               | PBT/ Black                                     |

### Measuring condition

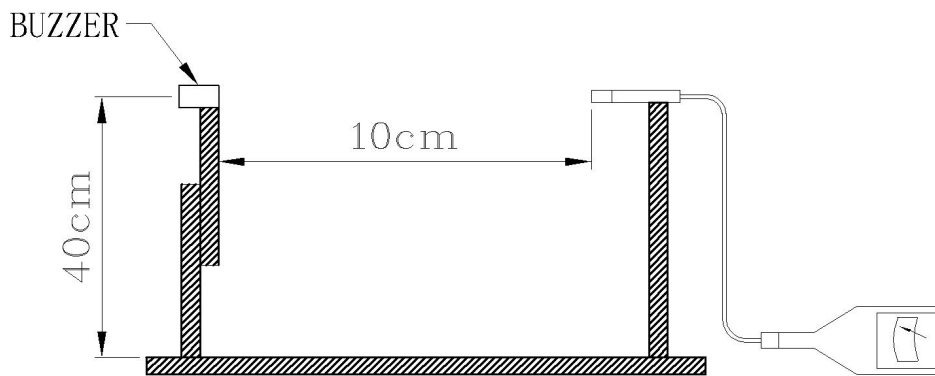
Part shall be measured under a condition (Temperature: 5 ~ 35 $^{\circ}\text{C}$ , Humidity: 45% ~ 85%R.H., Atmospheric pressure: 860 ~ 1060hPa) unless the standard condition (Temperature: 25 $\pm$ 3 $^{\circ}\text{C}$ , Humidity: 60 $\pm$ 10%R.H. Atmospheric pressure: 860 ~ 1060hPa) is regulated to measure.

### C: Acoustic Characteristics:

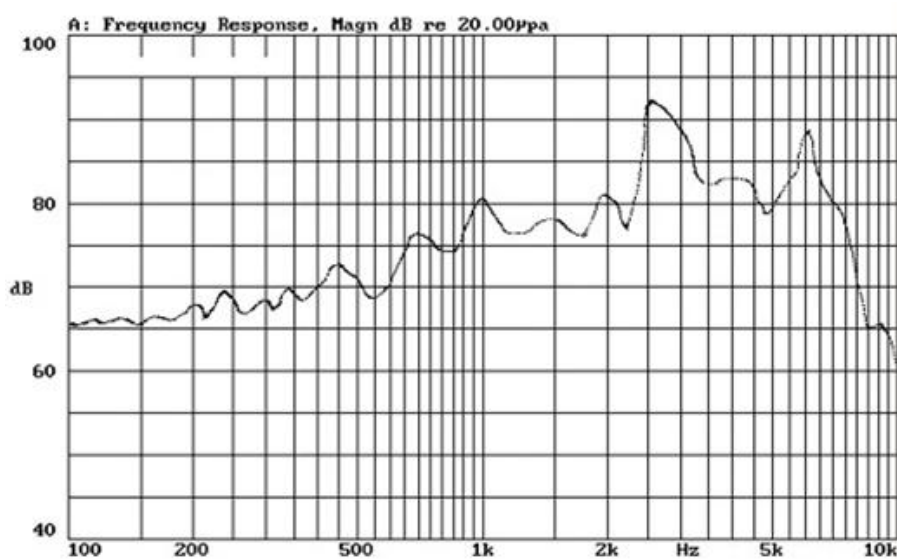
The oscillation frequency, current consumption and sound pressure are measured by the measuring instruments shown below



In the measuring test, buzzer is placed as follows:



### D: Typical Frequency Response Curve



## E: Reliability Test

After any following tests the part shall meet specifications without any degradation in appearance and performance except SPL. SPL shall not deviate more than -10 dB from the initial value

### 1. Ordinary Temperature Life Test

The part shall be subjected to 96 hours at  $25 \pm 10^\circ\text{C}$ . Input rated voltage Resonant frequency, 1/2 duty Square wave.

### 2. High Temperature Test

The part shall be capable of with standing a storage temperature of  $+80^\circ\text{C}$  for 96 hours.

### 3. Low Temperature Test

The part shall be capable of with standing a storage temperature of  $-30^\circ\text{C}$  for 96 hours.

### 4. Humidity Test

Temperature:  $+40^\circ\text{C} \pm 3^\circ\text{C}$  Relative Humidity: 90%~95% Duration: 48 hours and expose to room temperature for 6 hours

### 5. Temperature Shock Test

Temperature:  $70^\circ\text{C}$  /1hour  $\rightarrow$   $25^\circ\text{C}$ /3hours  $\rightarrow$   $-30^\circ\text{C}$ /1hour  $\rightarrow$   $25^\circ\text{C}$ /3hours (1cycle)  
Total cycle: 10 cycles

### 6. Drop Test

Standard Packaging From 120mm (Drop on hard wood or board of 5cm thick, three sides, six plain.)

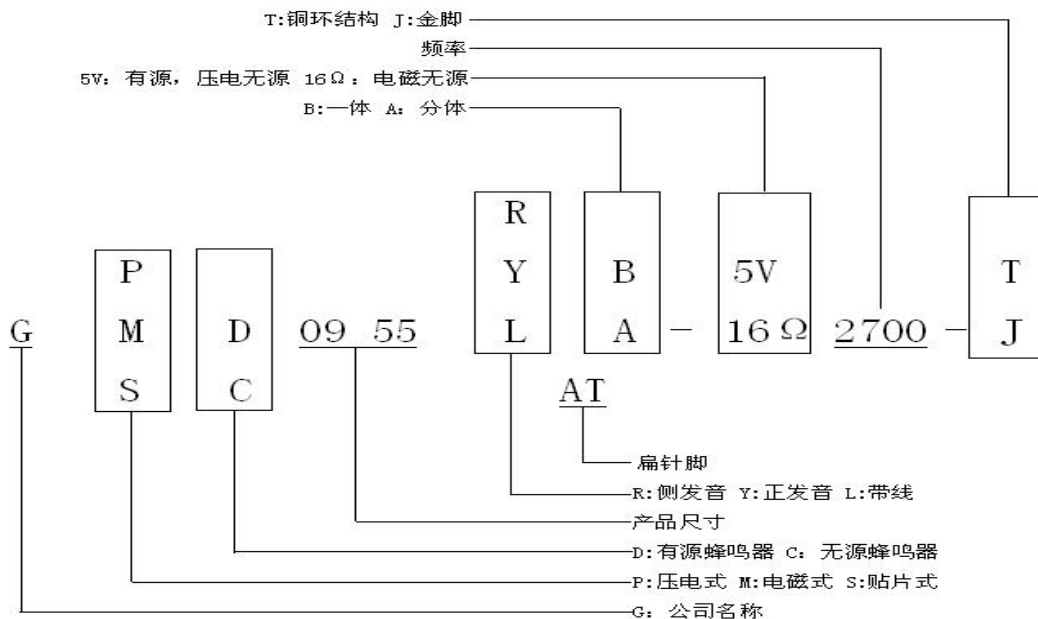
### 7. Vibration Test

Vibration: 1000cycles /min. Amplitude: 1.5mm, Duration: 1 hour in each 3 axes

### Note:

As this product is not protected from foreign material entering, please make sure that any foreign materials (e.g. magnetic powder, washing solvent, flux, corrosive gas) do not enter this product in your production processes. The functional degradation (e.g. SPL down) may occur if foreign material enter it.

### 蜂鸣器



## X-ON Electronics

Largest Supplier of Electrical and Electronic Components

*Click to view similar products for [Piezo Buzzers & Audio Indicators](#) category:*

*Click to view products by [INGHAI](#) manufacturer:*

Other Similar products are found below :

[PFD-21A29W](#) [PLD-21N30W](#) [REM-6027F-1.5](#) [RH1020C-010-NFP-G-NL](#) [PFD-27N36W](#) [KBS-20DA-7AS](#) [KBS-27DA-5C-105](#)  
[RFS5015382PNL](#) [MSR516NP](#) [DMT-1606S-NL](#) [OMT112](#) [SCE016SD3CM4B](#) [DMT-09-1-4B-NL](#) [HBO0302C-58/1248](#) [AT-3045-TF-LW110-R](#) [SMA-17-S](#) [BMS3650L-LF](#) [SMT-0540-T-7-R](#) [SMT-0540-T-2-R](#) [AT-0927-TT-2-R](#) [AT-2310-T-LW100-R](#) [SMI-1324-TW-5V-4-R-T/R](#)  
[SC0715BL](#) [AI-1027-TWT-5V-R](#) [SC235AF](#) [SMT-0827-TW-5V-R](#) [AT-2830-TWT-R](#) [AT-1220-TT-5-R](#) [AT-1220-TT-10-R](#) [AT-1127-ST-2-R](#)  
[AT-1220-TWT-5V-R](#) [AT-1750-TFL-LW95-R](#) [AI-2437-TWT-R](#) [SMT-1427-S-R](#) [SMT-1127-S-R](#) [AI-3245-TF-LW95-R](#) [AI-2438-TT-R](#)  
[AB2040B](#) [SMI-1324-TW-3V-R](#) [SMT-1324-TW-5V-R](#) [AT-2429-TWT-R](#) [AI-1223-TWT-12V-3-R](#) [AI-1440-TWT-24V-2-R](#) [AB4113B](#) [AI-1223-TWT-5V-4-R](#) [X-4028-P-C32-R](#) [AI-2304-TF-LW120-12V-R](#) [AI-4329-P-SP28-R](#) [XL-5020-TF-LW150-S-R](#) [SMA-30-P17.5](#)