

# 規格承認書

PECIFICATION FOR APPROVAL

客戶

CUSTOMER : \_\_\_\_\_

項目

ITEM : 电磁无源一体蜂鸣器 (外部驱动) \_\_\_\_\_

型號

TYPE : GMC12065RB-16-120R270 通用型 (电阻 16-120 欧) \_\_\_\_\_

描述

DESCRIPTION :  $\phi$  12 x 6.5MM 侧发音 2700Hz 16-120  $\Omega$  /1.5-12V  $\geq$ 85DB PPO 材质 P=6.5

MM

客戶料號

CUSTOMER NO. : \_\_\_\_\_

規格書號

SPECIFICATION NO.: \_\_\_\_\_

版本

EDITION NO. : V1.1 \_\_\_\_\_

日期

DATE : 20 \_\_\_\_\_

## 客戶承認

### CUSTOMER CONFIRM AND SIGN

| 檢查<br>TESTED BY | 審核<br>CHECKED BY | 承認<br>APPROVED BY |
|-----------------|------------------|-------------------|
|                 |                  |                   |

## 東莞市贏海電子有限公司

### DONGUAN INGHAİ ELECTRONICS CO.,LTD

| 製作<br>ISSUED BY | 審查<br>CHECKED BY | 確認<br>APPROVED BY |
|-----------------|------------------|-------------------|
| 周明              | 李林               |                   |

地址：廣東省東莞市長安鎮廈邊元灶頭工業區 16-6 號

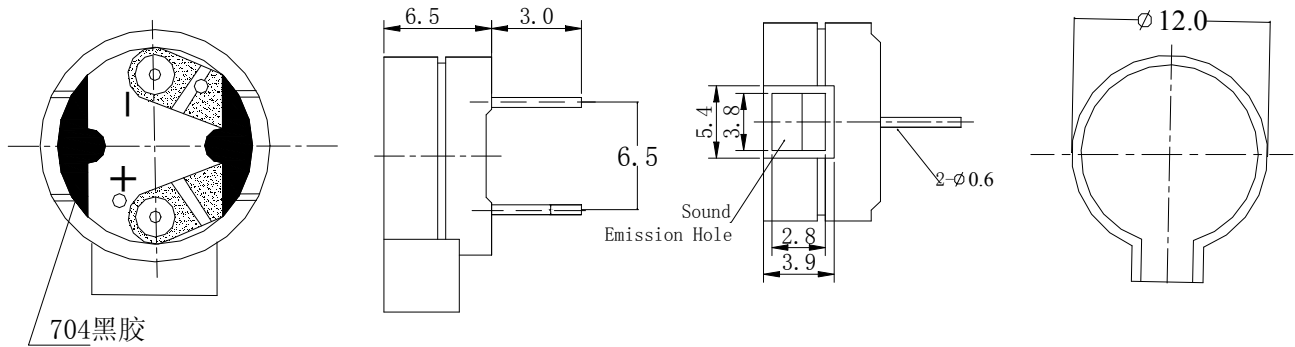
電話 / TEL: 0769-83060958 傳真 / FAX: 0769-81608993

網址: HTTP://WWW.INGHAİ.COM

# DONGGUAN INGHAI ELECTRONICS CO.,LTD

**Model NO:** GMC12065RB-16-120R2700

**A: DIMENSIONS** Unit:mm Tolerance:±0.5



## B: SPECIFICATIONS

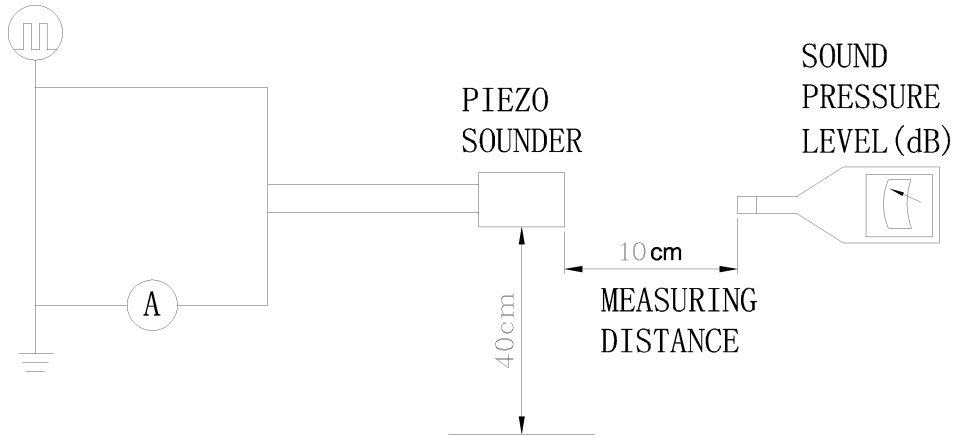
| Model NO                        | GMC12065RB    |
|---------------------------------|---------------|
| Rated Voltage                   | 1.5-12V       |
| Operating Voltage               | 1.5-12V       |
| Max.Rated Current               | Max.80mA      |
| Coil Resistance                 | 16-120±15%    |
| Sound Pressure level(dB)/at10cm | Min.85dB      |
| Resonant Frequency              | 2700Hz        |
| Operating Temperature           | -20 °C~+70 °C |
| Storage Temperature             | -30 °C~+80 °C |
| Case material and color         | PPO / Black   |

### Measuring condition

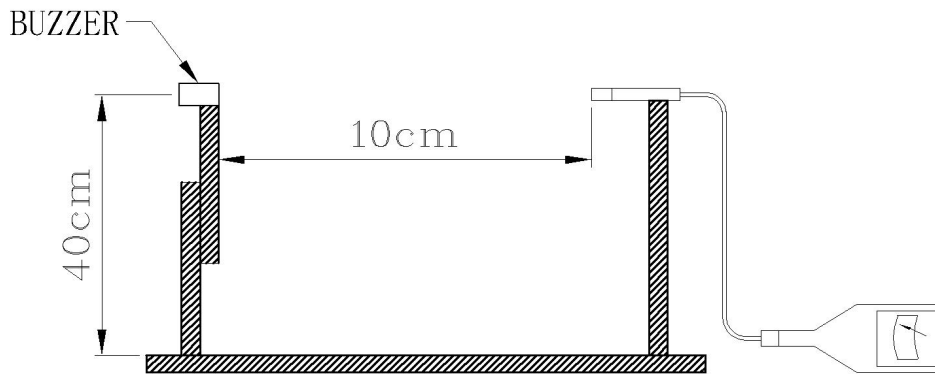
Part shall be measured under a condition (Temperature: 5~35°C, Humidity: 45%~85%R.H., Atmospheric pressure: 860~1060hPa) unless the standard condition (Temperature: 25±3°C, Humidity: 60±10%R.H., Atmospheric pressure: 860~1060hPa) is regulated to measure.

### C: Acoustic Characteristics:

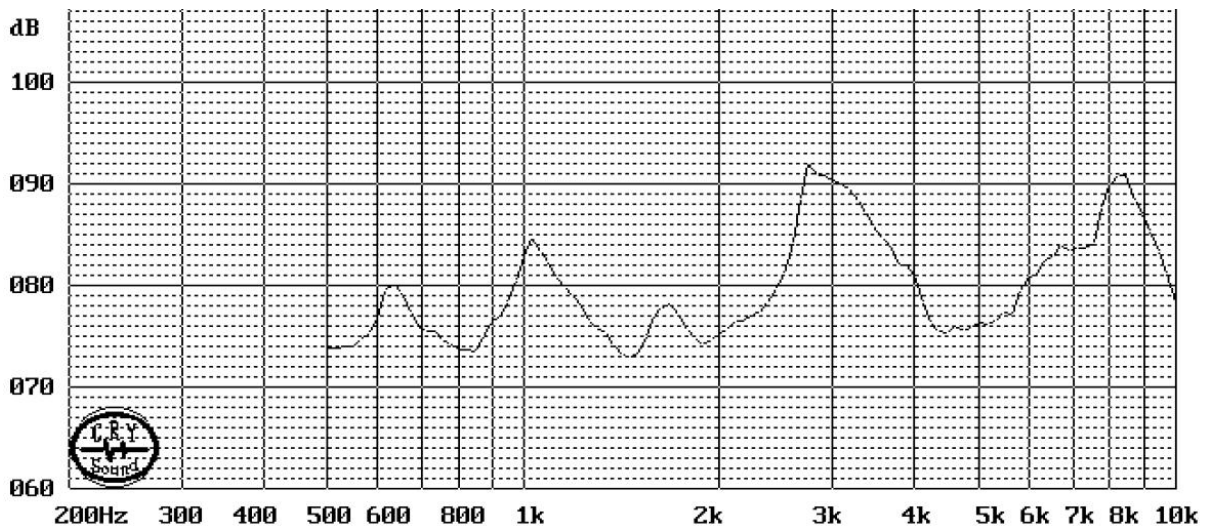
The oscillation frequency, current consumption and sound pressure are measured by the measuring instruments shown below



In the measuring test, buzzer is placed as follows:



### D: Typical Frequency Response Curve



## E: Reliability Test

After any following tests the part shall meet specifications without any degradation in appearance and performance except SPL. SPL shall not deviate more than -10 dB from the initial value

### 1. Ordinary Temperature Life Test

The part shall be subjected to 96 hours at  $25 \pm 10^\circ\text{C}$ . Input rated voltage Resonant frequency, 1/2 duty Square wave.

### 2. High Temperature Test

The part shall be capable of with standing a storage temperature of  $+80^\circ\text{C}$  for 96 hours.

### 3. Low Temperature Test

The part shall be capable of with standing a storage temperature of  $-30^\circ\text{C}$  for 96 hours.

### 4. Humidity Test

Temperature:  $+40^\circ\text{C} \pm 3^\circ\text{C}$  Relative Humidity: 90% ~ 95% Duration: 48 hours and expose to room temperature for 6 hours

### 5. Temperature Shock Test

Temperature:  $70^\circ\text{C}$  /1hour  $\rightarrow$   $25^\circ\text{C}$ /3hours  $\rightarrow$   $-30^\circ\text{C}$ /1hour  $\rightarrow$   $25^\circ\text{C}$ /3hours (1cycle)  
Total cycle: 10 cycles

### 6. Drop Test

Standard Packaging From 120mm (Drop on hard wood or board of 5cm thick, three sides, six plain.)

### 7. Vibration Test

Vibration: 1000cycles /min. Amplitude: 1.5mm, Duration: 1 hour in each 3 axes

### Note:

As this product is not protected from foreign material entering, please make sure that any foreign materials (e.g. magnetic powder, washing solvent, flux, corrosive gas) do not enter this product in your production processes. The functional degradation (e.g. SPL down) may occur if foreign material enter it.

## X-ON Electronics

Largest Supplier of Electrical and Electronic Components

*Click to view similar products for [Piezo Buzzers & Audio Indicators](#) category:*

*Click to view products by [INGHAI](#) manufacturer:*

Other Similar products are found below :

[PFD-21A29W](#) [PLD-21N30W](#) [REM-6027F-1.5](#) [RH1020C-010-NFP-G-NL](#) [PFD-27N36W](#) [KBS-20DA-7AS](#) [KBS-27DA-5C-105](#)  
[RFS5015382PNL](#) [MSR516NP](#) [DMT-1606S-NL](#) [OMT112](#) [SCE016SD3CM4B](#) [DMT-09-1-4B-NL](#) [HBO0302C-58/1248](#) [AT-3045-TF-LW110-R](#) [SMA-17-S](#) [BMS3650L-LF](#) [SMT-0540-T-7-R](#) [SMT-0540-T-2-R](#) [AT-0927-TT-2-R](#) [AT-2310-T-LW100-R](#) [SMI-1324-TW-5V-4-R-T/R](#)  
[SC0715BL](#) [AI-1027-TWT-5V-R](#) [SC235AF](#) [SMT-0827-TW-5V-R](#) [AT-2830-TWT-R](#) [AT-1220-TT-5-R](#) [AT-1220-TT-10-R](#) [AT-1127-ST-2-R](#)  
[AT-1220-TWT-5V-R](#) [AT-1750-TFL-LW95-R](#) [AI-2437-TWT-R](#) [SMT-1427-S-R](#) [SMT-1127-S-R](#) [AI-3245-TF-LW95-R](#) [AI-2438-TT-R](#)  
[AB2040B](#) [SMI-1324-TW-3V-R](#) [SMT-1324-TW-5V-R](#) [AT-2429-TWT-R](#) [AI-1223-TWT-12V-3-R](#) [AI-1440-TWT-24V-2-R](#) [AB4113B](#) [AI-1223-TWT-5V-4-R](#) [X-4028-P-C32-R](#) [AI-2304-TF-LW120-12V-R](#) [AI-4329-P-SP28-R](#) [XL-5020-TF-LW150-S-R](#) [SMA-30-P17.5](#)