

# 規格承認書

PECIFICATION FOR APPROVAL

客戶  
CUSTOMER : \_\_\_\_\_  
項目  
ITEM : 电磁无源分体蜂鸣器（外部驱动）  
型號  
TYPE : GMC1206L100-8-120R2048 通用型（电阻 8-120 欧）  
描述  
DESCRIPTION : 12 x 6.0MM UL1571/28# L100mm 2048Hz 8-120 Ω >=80DB ABS 材质  
客戶料號  
CUSTOMER NO. : \_\_\_\_\_  
規格書號  
SPECIFICATION NO.: \_\_\_\_\_  
版本  
EDITION NO. : V1.1  
日期  
DATE : \_\_\_\_\_

## 客戶承認

### CUSTOMER CONFIRM AND SIGN

檢查 TESTED BY	審核 CHECKED BY	承認 APPROVED BY

## 東莞市贏海電子有限公司

### DONGUAN INGHAI ELECTRONICS CO.,LTD

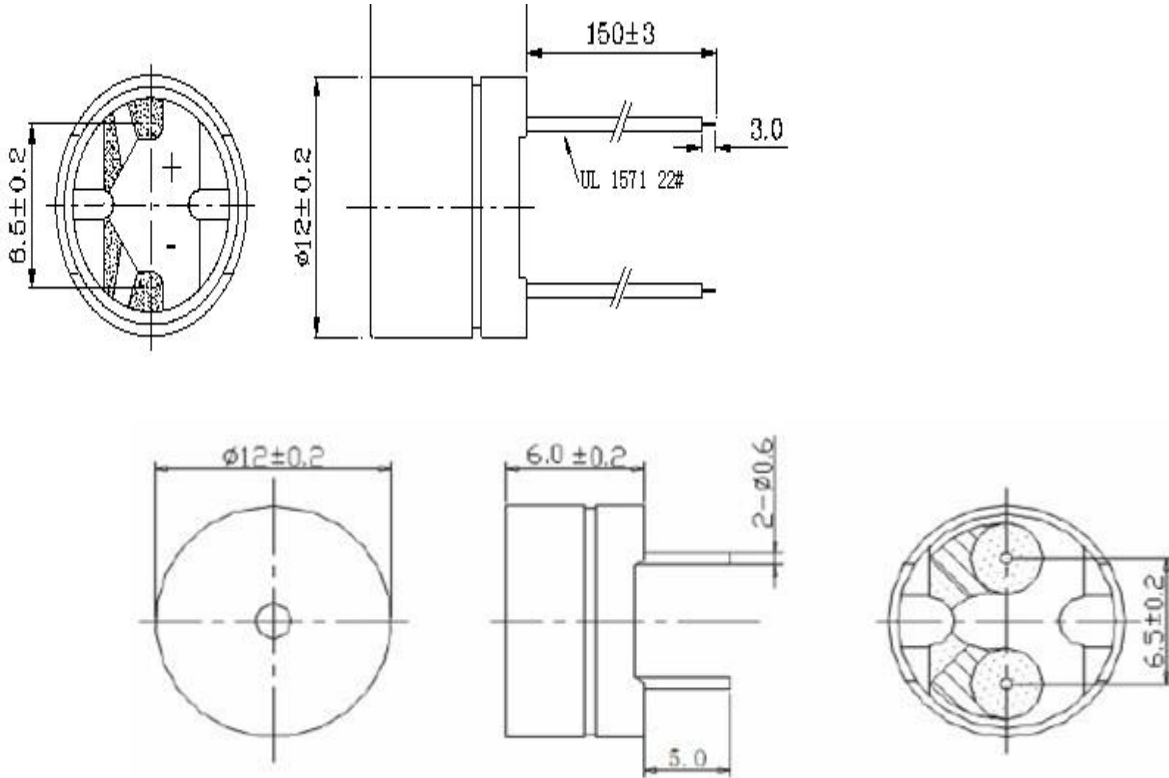
製作 ISSUED BY	審查 CHECKED BY	確認 APPROVED BY
周明	刘承成	

地址：廣東省東莞市長安鎮上沙第五工业区新春科技园  
電話 / TEL: 0769-83060958 傳真 / FAX: 0769-81608993  
網址: HTTP://WWW.INGHAI.COM

# DONGGUAN INGHAI ELECTRONICS CO.,LTD

**Model NO:** GMC1206YA-8-120R2048

**A: DIMENSIONS** Unit:mm Tolerance:±0.5 不带针脚



## B: SPECIFICATIONS

Model NO	<b>GMC1206YA-8-120R2048</b>
Rated Voltage	1.5-12V
Operating Voltage	1.5-12V
Max.Rated Current	Max.60mA
Coil Resistance	8-120±3 Ω
Sound Pressure level(dB)/at10cm	Min.80dB
Resonant Frequency	2048Hz
Operating Temperature	-20 °C~+60 °C
Storage Temperature	-30 °C~+70 °C

**Measuring condition**

Part shall be measured under a condition (Temperature: 5 ~ 35°C, Humidity: 45% ~ 85%R.H., Atmospheric pressure: 860 ~ 1060hPa) unless the standard condition (Temperature: 25±3°C, Humidity: 60±10%R.H. Atmospheric pressure: 860 ~ 1060hPa) is regulated to measure.

备注：适用于手工焊接

**C: Reliability Test**

After any following tests the part shall meet specifications without any degradation in appearance and performance except SPL. SPL shall not deviate more than -10 dB from the initial value

**1. Ordinary Temperature Life Test**

The part shall be subjected to 96 hours at 25 ± 10°C. Input rated voltage  
Resonant frequency, 1/2 duty Square wave.

**2. High Temperature Test**

The part shall be capable of with standing a storage temperature of +70°C for 96 hours.

**3. Low Temperature Test**

The part shall be capable of with standing a storage temperature of -30°C for 96 hours.

**4. Humidity Test**

Temperature: +40°C ± 3°C    Relative Humidity: 90% ~ 95%    Duration: 48 hours  
and expose to room temperature for 6 hours

**5. Temperature Shock Test**

Temperature: 60°C / 1hour → 25°C / 3hours → -30°C / 1hour → 25°C / 3hours (1cycle)  
Total cycle: 10 cycles

**6. Drop Test**

Standard Packaging From 120mm (Drop on hard wood or board of 5cm thick,  
three sides, six plain.)

**7. Vibration Test**

Vibration: 1000cycles /min. Amplitude: 1.5mm, Duration: 1 hour in each 3 axes

**Note:**

As this product is not protected from foreign material entering, please make sure that any foreign materials (e.g. magnetic powder, washing solvent, flux, corrosive gas) do not enter this product in your production processes. The functional degradation (e.g. SPL down) may occur if foreign material enter it.

## X-ON Electronics

Largest Supplier of Electrical and Electronic Components

*Click to view similar products for [Piezo Buzzers & Audio Indicators](#) category:*

*Click to view products by [INGHAI](#) manufacturer:*

Other Similar products are found below :

[PFD-21A29W](#) [PLD-21N30W](#) [REM-6027F-1.5](#) [RH1020C-010-NFP-G-NL](#) [PFD-27N36W](#) [KBS-20DA-7AS](#) [KBS-27DA-5C-105](#)  
[RFS5015382PNL](#) [MSR516NP](#) [DMT-1606S-NL](#) [OMT112](#) [SCE016SD3CM4B](#) [DMT-09-1-4B-NL](#) [HBO0302C-58/1248](#) [AT-3045-TF-LW110-R](#) [SMA-17-S](#) [BMS3650L-LF](#) [SMT-0540-T-7-R](#) [SMT-0540-T-2-R](#) [AT-0927-TT-2-R](#) [AT-2310-T-LW100-R](#) [SMI-1324-TW-5V-4-R-T/R](#)  
[SC0715BL](#) [AI-1027-TWT-5V-R](#) [SC235AF](#) [SMT-0827-TW-5V-R](#) [AT-2830-TWT-R](#) [AT-1220-TT-5-R](#) [AT-1220-TT-10-R](#) [AT-1127-ST-2-R](#)  
[AT-1220-TWT-5V-R](#) [AT-1750-TFL-LW95-R](#) [AI-2437-TWT-R](#) [SMT-1427-S-R](#) [SMT-1127-S-R](#) [AI-3245-TF-LW95-R](#) [AI-2438-TT-R](#)  
[AB2040B](#) [SMI-1324-TW-3V-R](#) [SMT-1324-TW-5V-R](#) [AT-2429-TWT-R](#) [AI-1223-TWT-12V-3-R](#) [AI-1440-TWT-24V-2-R](#) [AB4113B](#) [AI-1223-TWT-5V-4-R](#) [X-4028-P-C32-R](#) [AI-2304-TF-LW120-12V-R](#) [AI-4329-P-SP28-R](#) [XL-5020-TF-LW150-S-R](#) [SMA-30-P17.5](#)