

# 規格承認書

PECIFICATION FOR APPROVAL

客戶  
CUSTOMER : \_\_\_\_\_  
項目  
ITEM : 驻极体咪头 (ECM)  
型號  
TYPE : GMI6027-30-66DB 通用型 (灵敏度-30~-66DB)  
描述  
DESCRIPTION :  $\phi 6.0 \times 2.7 \text{ MM}$  -30~-66dB 2.0V  $\leq 2.2\text{K}\Omega$  S/N:  $\geq 58 \text{ dBA}$   
客戶料號  
CUSTOMER NO. : \_\_\_\_\_  
規格書號  
SPECIFICATION NO.: \_\_\_\_\_  
版本  
EDITION NO. : V1.2  
日期  
DATE : \_\_\_\_\_

## 客戶承認

### CUSTOMER CONFIRM AND SIGN

| 檢查<br>TESTED BY | 審核<br>CHECKED BY | 承認<br>APPROVED BY |
|-----------------|------------------|-------------------|
|                 |                  |                   |

## 東莞市贏海電子有限公司

### DONGUAN INGHAI ELECTRONICS CO.,LTD

| 製作<br>ISSUED BY | 審查<br>CHECKED BY | 確認<br>APPROVED BY |
|-----------------|------------------|-------------------|
| 周明              | 李林               |                   |

地址：广东省东莞市长安镇上沙第五工业区新春路 1 号新春科技园

電話 / TEL: 0769-83060958 傳真 / FAX: 0769-81608993

網址: [HTTP://WWW.INGHAI.COM](http://www.inghai.com)

## A. SCOPE

This specification applies electret condenser microphone, GMI6027-30-66DB

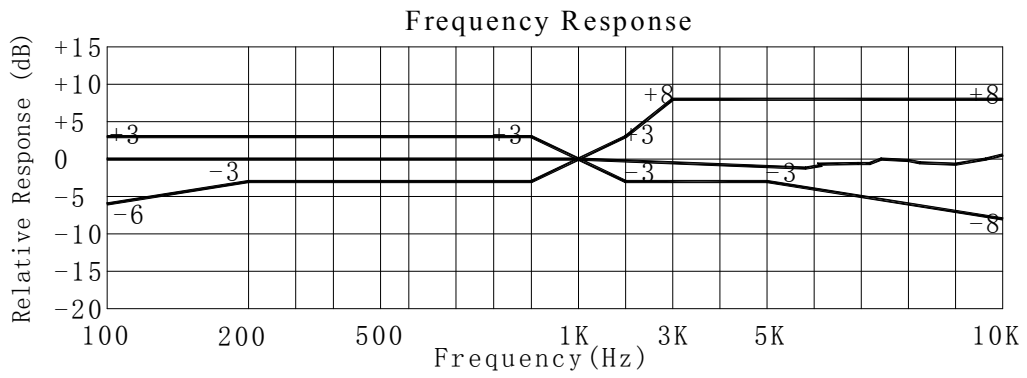
## B. SPECIFICATION

■ Test condition:  $R_L=2.2K\Omega$   $V_S=2.0V$   $TEMP=25^{\circ}C\pm 2^{\circ}C$  Related humidity= $65\pm 5\%$

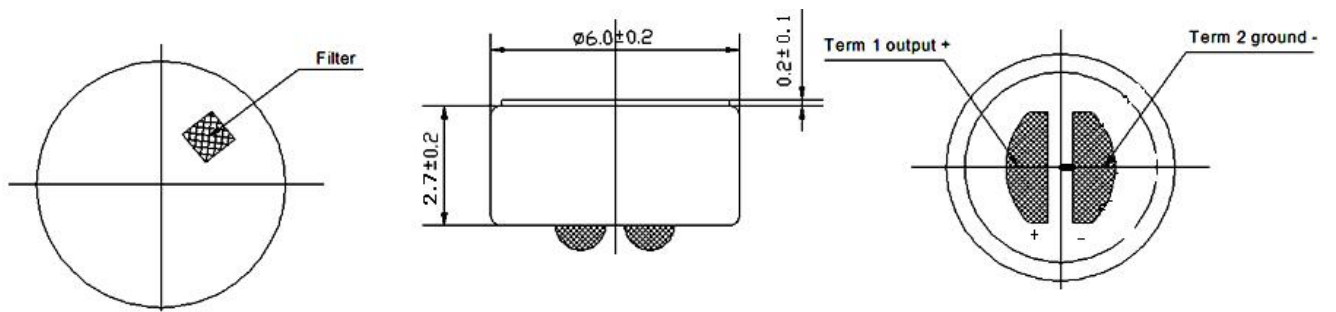
| No. | Item                       | Symbol                          | Unit       | Specification       | Condition                                       |
|-----|----------------------------|---------------------------------|------------|---------------------|---|
| 1   | Directivity                |                                 |            | Omnidirectional     |   |
| 2   | Sensitivity                | <b>S</b>                        | dB         | -30~-66±3           | f=1KHz, 1Pa<br>0dB=1V/Pa                        |
| 3   | Standard operating voltage | <b>V<sub>s</sub></b>            | V          | 2.0                 |   |
| 4   | Output impedance           | <b>Z<sub>out</sub></b>          | K $\Omega$ | ≤2.2                | f=1KHz, 1Pa                                     |
| 5   | Frequency                  |                                 | Hz         | 100-10000           |   |
| 6   | Max operating voltage      |                                 | V .        | 10                  |   |
| 7   | Sensitivity reduction      | $\Delta$ <b>S-V<sub>s</sub></b> | dB         | -3                  | f=1KHz, 1Pa<br>V <sub>s</sub> =1.5VDC to 3.0VDC |
| 8   | Max. current consumption   | <b>I<sub>DSS</sub></b>          | mA         | ≤0.5                |   |
| 9   | Signal to noise ration     | <b>S/N</b>                      | dBA        | ≥58                 | f=1KHz, P <sub>in</sub> =1Pa                    |
| 10  | Max. Sound Pressure Level  | S.P.L                           | dB         | 110                 |   |
| 11  | Operation temp.            |                                 | °C         | -20 ~+70            |   |
| 12  | Storage temp.              |                                 | °C         | -30 ~+80            |   |
| 13  | Dimension                  |                                 | mm         | $\varphi$ 6.0 x 2.7 | See appearance drawing                          |
| 14  | Terminal                   |                                 |            | Terminal            | See appearance drawing                          |

### C. TYPICAL FREQUENCY RESPONSE CURVE

全指向性



### D. APPEARANCE DRAWING



### E. MEASUREMENT CIRCUIT

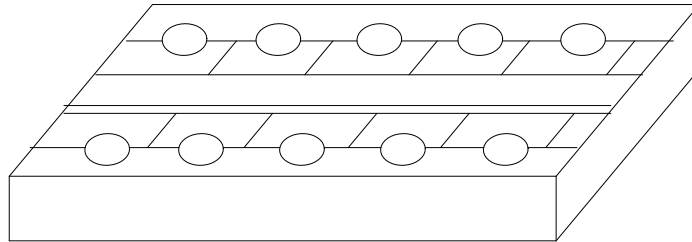
| <b>F. Reliability Test</b>   |   |
|--|---|
| 经过以下所有试验在 20℃的条件下放置 3 小时后,麦克风的灵敏度与试验前比较变化在 3dB 以内<br>After any following tests, the sensitivity of the microphone to be within $\pm 3\text{dB}$ of initial sensitivity after 3hours of conditioning at 20℃ |   |
| 5-1 振动试验<br>Vibration  | 周波数 1/Frequency1:10Hz~55Hz<br>振幅/Amplitude:1.52mm<br>变化/Change of Frequency:1 octave/min<br>3 方向,各 2 小时/hours in each of 3 axes |
| 5-2 高温试验<br>Dry Heat   | +80 $\pm$ 5℃ for 96 hours   |
| 5-3 低温试验<br>Dry Cold   | -30 $\pm$ 5℃ for 96 hours   |
| 5-4 高温高湿试验<br>Damp Heat  | 90%~95%RH, +60 $\pm$ 5℃ for 96 hours  |
| 5-5 温度循环试验<br>Temperature cycles   | -20℃ $\longleftrightarrow$ 25℃ $\longleftrightarrow$ 70℃<br>(2h) (1h) (2h) (1h) (2h) x 10 cycles                                |
| 5-6 跌落试验<br>Packing drop test  | Height:1m<br>顺序:三个面各跌 10 次<br>Procedure:10 times from each of 3 axes  |
| 5-7 温度冲击试验<br>Temperature impact test  | -20℃ $\longleftrightarrow$ 70℃<br>30min 30s 30min x 10 cycles   |
| 5-8 静电冲击试验<br>Electrostatic shock test   | 6000V(contact), 15000V(air) x 10 axes   |
| 备注 Note  |   |
| 6-1 工作温度范围<br>Operation Temperature  | -20℃~70℃  |
| 6-2 储存温度范围<br>Storage Temperature  | -30℃~80℃  |
| <b>G. Soldering Condition</b>  |   |
| 7-1 焊接使用 90W 的烙铁。<br>The soldering copper of a type of 90W shall be applied  |   |
| 焊接条件<br>Soldering Condition.   |   |
| 7-2 电烙铁表面温度 320 $\pm$ 10℃<br>The temperature of the working surface of the soldering copper shall be 320 $\pm$ 10℃   |   |
| 7-3 焊接时把麦克风嵌入散热能力强的金属块内。<br>ECM shall be soldered fixed on the metal block(heat sink)which has the higher radiation effects said heat sink<br>Shall contact with of ECM.                                   |   |

7-4 焊接时间控制在 2~3 秒内。  
time for each terminal shall be 2~3 sec.

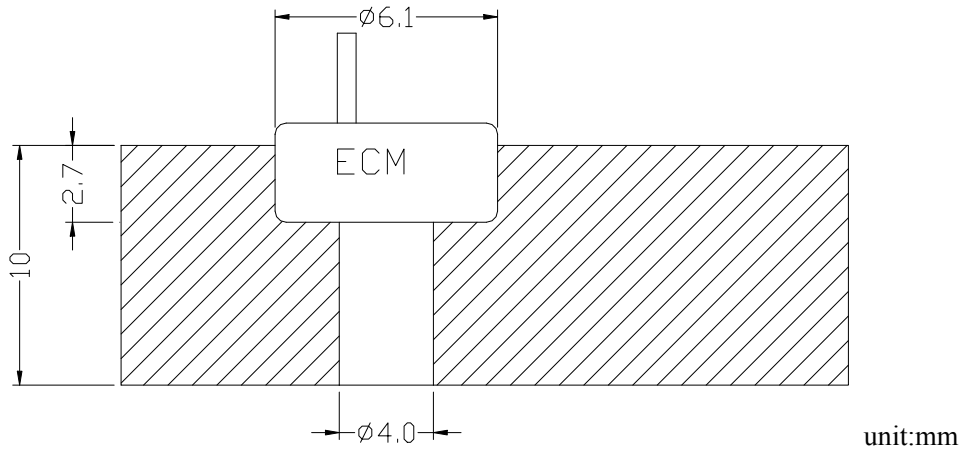
7-5 焊接后不能出现针孔。  
The pinhole after soldering shall be avoided.

7-6 静电容易破坏麦克风必须采取措施避免（电烙铁接地，戴静电环等。）  
ECM may easily destroyed by the static electricity and the countermeasure for eliminating the static electricity (the ground for soldering copper, for worktable and for human body) shall be executed.

7-7 散热板形状 Shape of heat sink



7-8 固定部孔形状 Shape of hole at fixed part



## X-ON Electronics

Largest Supplier of Electrical and Electronic Components

*Click to view similar products for [Microphones](#) category:*

*Click to view products by [INGHAI](#) manufacturer:*

Other Similar products are found below :

[BCM4013OLFC-42-JST-ZHR-2](#) [TO38-30702-B20](#) [FG-23329-P142](#) [254-ECM6441-RO](#) [AOM-6742P-2-R](#) [SPM04C-38/1186-T/R](#) [POM-2244L-C33-R](#) [AOM-6545P-R](#) [ANM-5254L-R](#) [AOM-6738L-R](#) [AOM-6738P-R](#) [AOM-4546P-R](#) [BCM4013OSBC-42 LF](#) [ANM-5254L-LW100-R](#) [PUM-3046L-R](#) [TOM-1545L-R](#) [POM-2738L-LW100-R](#) [POM-2738P-C33-R](#) [POM-3542P-R](#) [POM-3535L-3-LW100-R](#) [POW-2742P-C3310-B-R](#) [AOM-6742L-R](#) [AOM-6738L-LW100-R](#) [AOW-4544P-C3310-B-R](#) [POM-2735P-R](#) [POW-2742L-C3310-B-R](#) [PUM-5250L-C3310-R](#) [POM-5038P-C3310-R](#) [TOW-1242P-R](#) [POM-5046P-C3310-R](#) [TC-32348-000](#) [TC-32485-000](#) [BCM9745-44](#) [BCM9767P](#) [LD-MC-0905P](#) [LD-MC-6035](#) [LD-MC-9765](#) [CMC-4015-40P](#) [PMO-6022SN-42UQ](#) [PMOF-6027WN-44KDQ](#) [PMO-4015PN-42KDQ](#) [CMC-6027-42L100](#) [PMO-6027P-40KDQ](#) [PMOF-6050S-44UQ](#) [PMO-4530PN-47UQ](#) [PMO-4015MN-42HXQ](#) [CMC-6036-40T](#) [CMC-4015-25T](#) [CMC-6027-24T](#) [PMOF-9767NP-46DQ](#)