

# 規格承認書

PECIFICATION FOR APPROVAL

客戶  
CUSTOMER : 广瑞  
項目  
ITEM : 压电式无源蜂鸣器（外部驱动）  
型號  
TYPE : GPC1911RAT-5V2700  
描述  
DESCRIPTION :  $\phi$  19 x 11 mm 2700Hz 5V  $\geq$ 85DB ABS 材质 P=20mm 侧发音  
客戶料號  
CUSTOMER NO. :  
規格書號  
SPECIFICATION NO. :  
版本  
EDITION NO. : V1.0  
日期  
DATE : 2012-12-10

## 客戶承認

### CUSTOMER CONFIRM AND SIGN

檢查 TESTED BY	審核 CHECKED BY	承認 APPROVED BY

## 東莞市贏海電子有限公司

### DONGUAN INGHAI ELECTRONICS CO.,LTD

製作 ISSUED BY	審查 CHECKED BY	確認 APPROVED BY
周明	李林	

地址：廣東省東莞市長安鎮上沙管理區北橫路 8 號

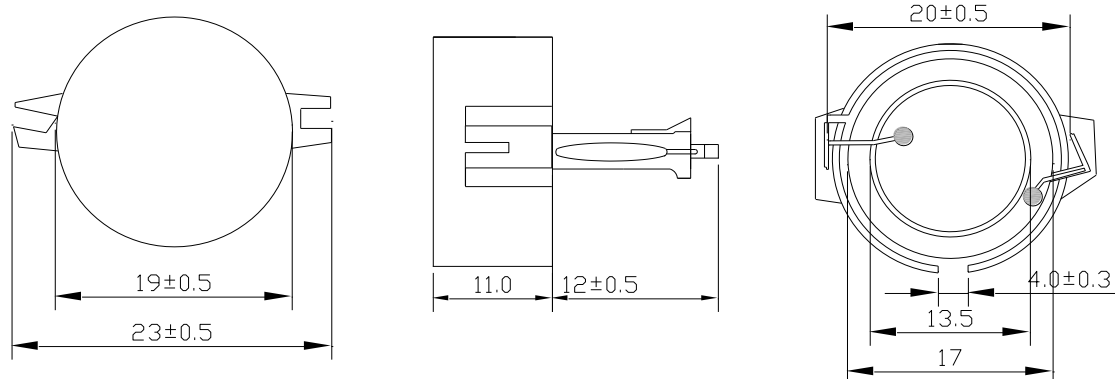
電話 / TEL: 0769-83060958 傳真 / FAX: 0769-81608993

網址: HTTP://WWW.INGHAI.COM

## DONGGUAN INGHAI ELECTRONICS CO.,LTD

**Model NO:** GPC1911RAT-5V2700

**A: DIMENSIONS** Unit:mm Tolerance:  $\pm 0.5$



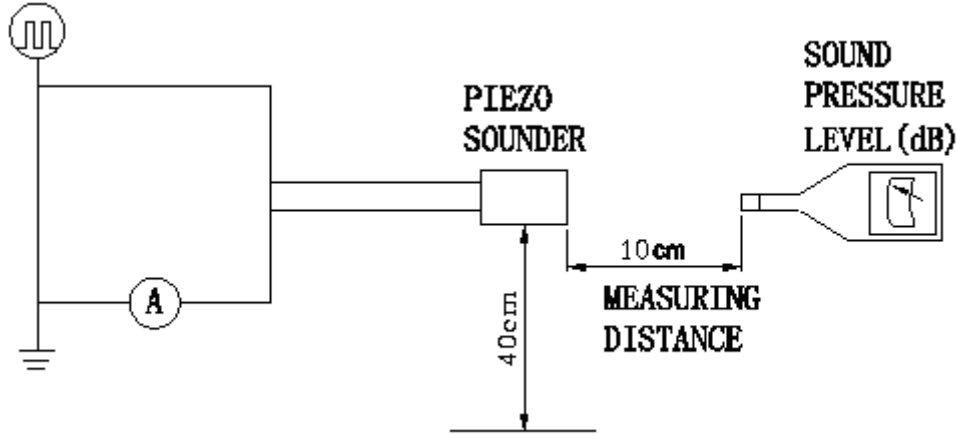
## B: SPECIFICATIONS

Model NO	GPC1911RAT
Rated Voltage	5Vp-p
Sound Pressure level(dB)at10cm/2.7KHZ/5VP-P	Min.85dB
Resonant Frequency	2.7K $\pm$ 300 Hz
Max. Current Consumption at Rated Voltage (mA)	Max. 2mA
Capacitance at 100Hz	23000 $\pm$ 30%
Operating Voltage	3~20 Vp-p
Operating Temperature	-20 $^{\circ}$ C~+70 $^{\circ}$ C

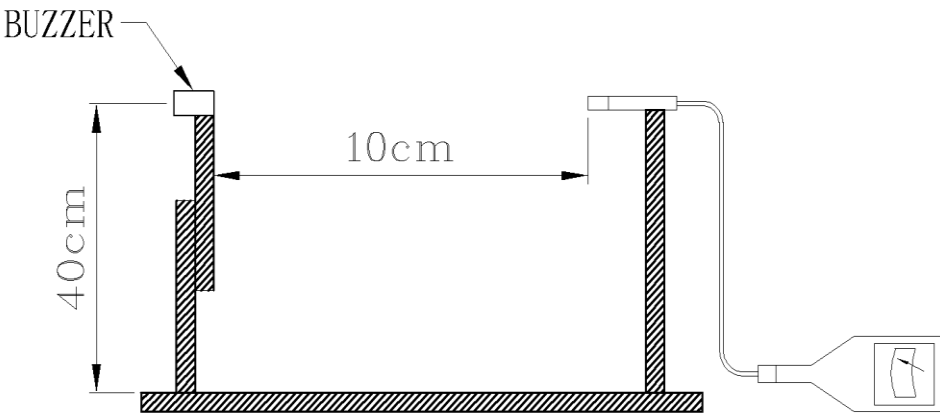
Storage Temperature	-30 °C ~ +80 °C
---------------------	-----------------

**C: Acoustic Characteristics:**

The oscillation frequency, current consumption and sound pressure are measured by the measuring instruments shown below



**In the measuring test, buzzer is placed as follows:**



**D: Reliability Test**

After any following tests the part shall meet specifications without any degradation in appearance and performance except SPL. SPL shall not deviate more than -10 dB from the initial value

1. **Ordinary Temperature Life Test**  
The part shall be subjected to 96 hours at  $25 \pm 10^\circ\text{C}$ . Input rated voltage Resonant frequency, 1/2 duty Square wave.
2. **High Temperature Test**  
The part shall be capable of with standing a storage temperature of  $+70^\circ\text{C}$  for 96 hours.
3. **Low Temperature Test**  
The part shall be capable of with standing a storage temperature of  $-30^\circ\text{C}$  for 96 hours.

**4. Humidity Test**

Temperature:  $+40^{\circ}\text{C} \pm 3^{\circ}\text{C}$  Relative Humidity: 90%~95% Duration: 48 hours  
and expose to room temperature for 6 hours

**5. Temperature Shock Test**

Temperature:  $60^{\circ}\text{C}$  /1hour →  $25^{\circ}\text{C}$ /3hours →  $-30^{\circ}\text{C}$ /1hour →  $25^{\circ}\text{C}$ /3hours (1cycle)

Total cycle: 10 cycles

**6. Drop Test**

Standard Packaging From 120mm (Drop on hard wood or board of 5cm thick,  
three sides, six plain.)

**7. Vibration Test**

Vibration: 1000cycles /min. Amplitude: 1.5mm, Duration: 1 hour in each 3 axes

**Note:**

As this product is not protected from foreign material entering, please make sure that any foreign materials (e.g. magnetic powder, washing solvent, flux, corrosive gas) do not enter this product in your production processes. The functional degradation (e.g. SPL down) may occur if foreign material enter it.

## X-ON Electronics

Largest Supplier of Electrical and Electronic Components

*Click to view similar products for [Piezo Buzzers & Audio Indicators](#) category:*

*Click to view products by [INGHAI](#) manufacturer:*

Other Similar products are found below :

[6-4](#) [68S1240-PA](#) [ESZ-26B](#) [FDG06PSLLF](#) [F/DGX12P WITH LABEL LF](#) [F/EM12PLF](#) [PF-35N29WQ](#) [PFD-21A29W](#) [PFD-27A35PQ](#) [PL-21N30WQ](#) [PL-27A35PSQ](#) [PLD-21N30W](#) [PLD-21N30WQ](#) [PS-531Q](#) [PT-3534FP](#) [B822B](#) [B/CP28/100DB/BLACK LF](#) [S6109](#) [SC110E](#) [SC2036ACP](#) [SC616N-2](#) [SC628FW](#) [SC628MPG](#) [SC648D](#) [SCS045MD9DT3S](#) [ESZ-25B-5-250B](#) [ESZ-25S](#) [F/BC 35-DR LF](#) [FCM12PLF](#) [SSX-52SA](#) [F/EB20P-DR LF](#) [AI-4228-TF-LW305-R](#) [F/SU 21-02 LF](#) [F/TCW 05 WITH LABEL LF](#) [PFD-27N36W](#) [PKM35-4A0](#) [PL-35N29WQ](#) [PLD-27A35PQ](#) [PS-552Q](#) [CM-5](#) [REF-202](#) [B/SE 128 RED LF](#) [KBS-20DA-7AS](#) [KBS-27DA-5C-105](#) [LSC628ANR](#) [03-810.001](#) [RTO-1R07-001](#) [PL-21N31PQ](#) [F-B-P1405ISB LF](#) [F/DGX 05P WITH LABEL LF](#)