

# 規格承認書

PECIFICATION FOR APPROVAL

客 戶  
CUSTOMER : 立創  
項 目  
ITEM : 压电式无源蜂鸣器 (外部驱动)  
型 號  
TYPE : GPC3010AT-5V2500  
描述  
DESCRIPTION :  $\phi 30.0 \times 10.0 \text{ mm}$  2500Hz 5V  $\geq 85\text{DB}$  P=15mm 材质 PBT  
客戶料號  
CUSTOMER NO. :  
規 格 書 號  
SPECIFICATION NO.:  
版 本  
EDITION NO. : V1.0  
日 期  
DATE : 2019-12-26

## 客戶承認

### CUSTOMER CONFIRM AND SIGN

檢 查 TESTED BY	審 核 CHECKED BY	承 認 APPROVED BY

## 東莞市贏海電子有限公司

### DONGUAN INGHAI ELECTRONICS CO.,LTD

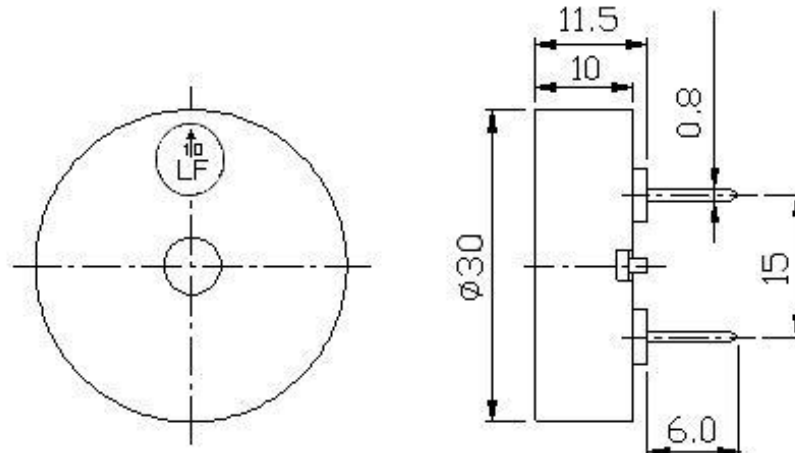
製 作 ISSUED BY	審 查 CHECKED BY	確 認 APPROVED BY
周明	刘承成	

地址：廣東省東莞市虎門鎮懷德社區雅瑤工業區  
電話 / TEL: 0769-83060958 傳真 / FAX: 0769-81608993  
網址: [HTTP://WWW.INGHAI.COM](http://www.inghai.com)

# DONGGUAN INGHAI ELECTRONICS CO.,LTD

Model NO: GPC3010AT-5V2500

A:DIMENSIONS Unit:mm Tolerance:±0.2



单位: mm 公差±2

## B:SPECIFICATIONS

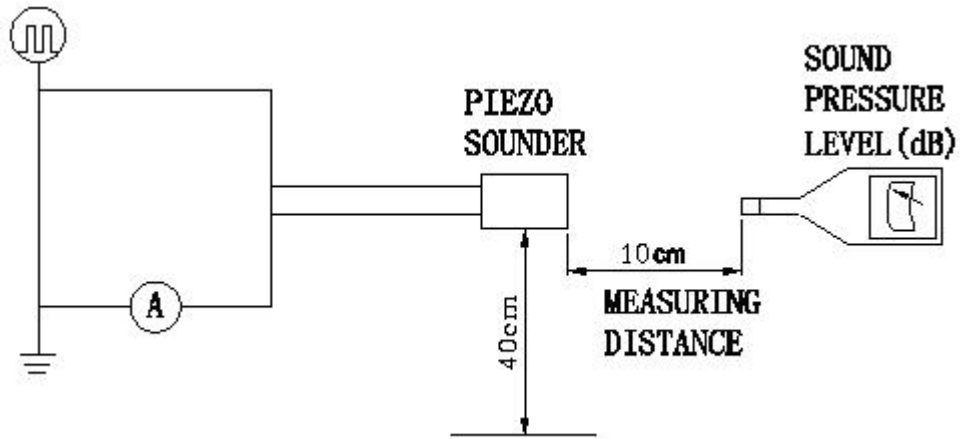
Model NO	GPC3010AT
Rated Voltage	5Vp-p
Sound Pressure level(dB)	Min.85dB at10cm/2.5KHZ/5VP-P
Resonant Frequency	2500±500Hz
Max. Current Consumption (mA)	Max. 3mA at Rated Voltage
Capacitance at 1KHz	13000±30%
Operating Voltage	1~30 Vp-p
Operating Temperature	-20 °C~+70 °C
Storage Temperature	-30 °C~+80 °C
Case material and color	<b>PBT / Black</b>

### Measuring condition

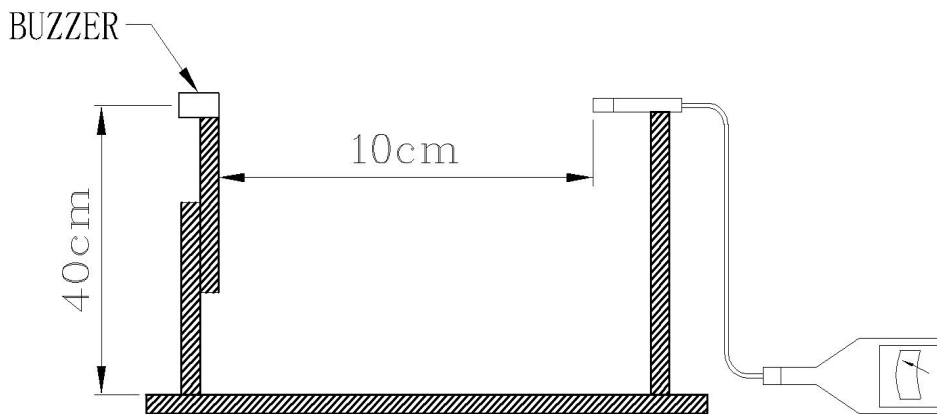
Part shall be measured under a condition (Temperature: 5 ~ 35°C, Humidity: 45% ~ 85%R.H., Atmospheric pressure: 860 ~ 1060hPa) unless the standard condition (Temperature: 25±3°C, Humidity: 60±10%R.H. Atmospheric pressure: 860 ~ 1060hPa) is regulated to measure.

### C:Acoustic Characteristics:

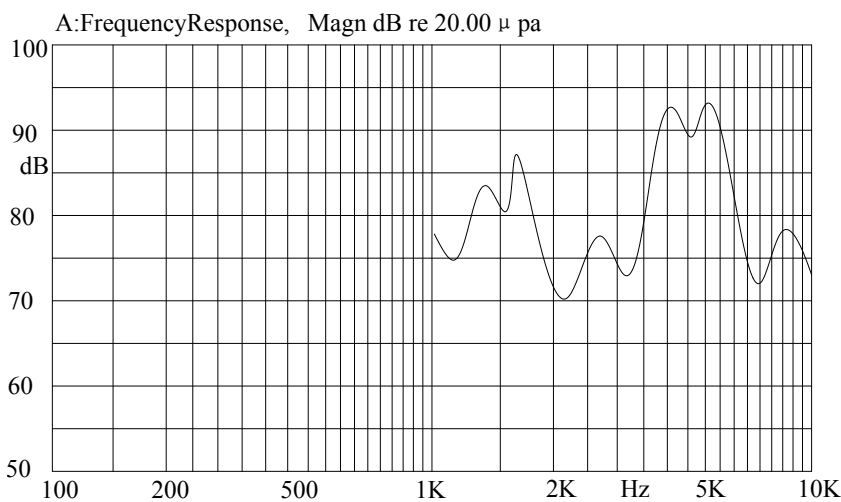
The oscillation frequency, current consumption and sound pressure are measured by the measuring instruments shown below



In the measuring test, buzzer is placed as follows:



### D:Typical Frequency Response Curve



## E:Reliability Test

After any following tests the part shall meet specifications without any degradation in appearance and performance except SPL. SPL shall not deviate more than -10 dB from the initial value

### 1. Ordinary Temperature Life Test

The part shall be subjected to 96 hours at  $25 \pm 10^{\circ}\text{C}$ . Input rated voltage

Resonant frequency, 1/2 duty Square wave.

### 2. High Temperature Test

The part shall be capable of with standing a storage temperature of  $+80^{\circ}\text{C}$  for 96 hours.

### 3. Low Temperature Test

The part shall be capable of with standing a storage temperature of  $-30^{\circ}\text{C}$  for 96 hours.

### 4. Humidity Test

Temperature: $+40^{\circ}\text{C} \pm 3^{\circ}\text{C}$  Relative Humidity:90%~95% Duration: 48 hours

and expose to room temperature for 6 hours

### 5. Temperature Shock Test

Temperature: $70^{\circ}\text{C}$  /1hour→  $25^{\circ}\text{C}$ /3hours→  $-30^{\circ}\text{C}$ /1hour→  $25^{\circ}\text{C}$ /3hours (1cycle)

Total cycle: 10 cycles

### 6. Drop Test

Standard Packaging From 120mm(Drop on hard wood or board of 5cm thick, three sides, six plain.)

### 7. Vibration Test

Vibration:1000cycles /min. Amplitude:1.5mm, Duration: 1 hour in each 3 axes

### Note:

As this product is not protected from foreign material entering, please make sure that any foreign materials (e.g. magnetic powder, washing solvent, flux, corrosive gas) do not enter this product in your production processes. The functional degradation (e.g. SPL down) may occur if foreign material enter it.

## X-ON Electronics

Largest Supplier of Electrical and Electronic Components

*Click to view similar products for [Audio Indicators & Alerts](#) category:*

*Click to view products by [INGHAI](#) manufacturer:*

Other Similar products are found below :

[M2BJ-BH24E](#) [6-4](#) [68S1240-PA](#) [MBA-624](#) [F/BC 40P-DR LF](#) [FDG111PLF](#) [F/NRMB 24 BLACK LF](#) [PF-35N29WQ](#) [PFD-27A35PQ](#) [PL-27A35PSQ](#) [PS-531Q](#) [AB2020B-2-LW1](#) [EBPT-401](#) [PB06SD12AP](#) [PB-1220PEQ](#) [S6109](#) [SC2036ACP](#) [SC616N-2](#) [SC628FW](#) [SC628MPG](#) [SC648D](#) [SCS045MD9DT3S](#) [AB2025B-LW50-R](#) [ESZ-25B-5-250B](#) [F/BC 35-DR LF](#) [FCM12PLF](#) [F/EB20P-DR LF](#) [F/HU110MP24V-IP67B LF](#) [AI-2835-TF-LW150-2-R](#) [AI-4228-TF-LW305-R](#) [FSMD8585JSLF](#) [FSS-26T](#) [F/SU 21-02 LF](#) [F/TCW 05 WITH LABEL LF](#) [F/UCW 03 WITH LABEL LF](#) [F/UCW 06 WITH LABEL LF](#) [PKM22EPPH40S1-B0](#) [PKM35-4A0](#) [PL-35N29WQ](#) [PLD-27A35PQ](#) [PS-552Q](#) [CM-5](#) [M2BJ-BH24E-D](#) [REF-202](#) [LSC628ANR](#) [5-100 PAL-328](#) [03-810.001](#) [RTO-1R07-001](#) [PL-21N31PQ](#) [PF-27A25PSQ](#)