

# 規格承認書

## PECIFICATION FOR APPROVAL

客 戶  
CUSTOMER : 通用型规格书 电压范围 3-24V  
項 目  
ITEM : 压电有源蜂鸣器 (内含驱动电路)  
型 號  
TYPE : GPD3015L100-3-24V3500-J 间断声  
描述  
DESCRIPTION :  $\Phi$ 30.0 x H15 mm 3100Hz 3-24V  $\geq$ 95DB ABS 材质 L=100 mm  
客戶料號  
CUSTOMER NO. :  
規格書號  
SPECIFICATION NO.:  
版 本  
EDITION NO. : V1.2  
日 期  
DATE : 20

### 客戶承認

#### CUSTOMER CONFIRM AND SIGN

| 檢查<br>TESTED BY | 審核<br>CHECKED BY | 承認<br>APPROVED BY |
|-----------------|------------------|-------------------|
|                 |                  |                   |

### 東莞市贏海電子有限公司

#### DONGUAN INGHAI ELECTRONICS CO.,LTD

| 製作<br>ISSUED BY | 審查<br>CHECKED BY | 確認<br>APPROVED BY |
|-----------------|------------------|-------------------|
| 周明              | 刘承成              |                   |

地址：廣東省東莞市長安鎮上沙第五工业区新春一路新春科技园

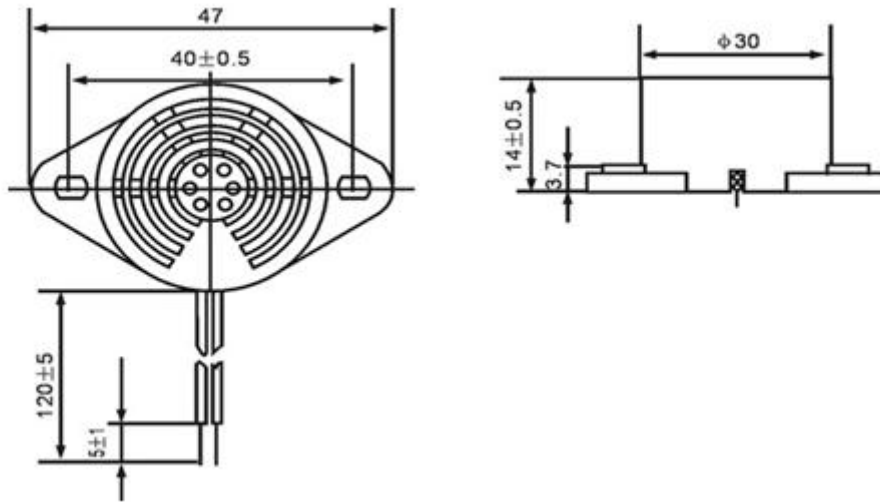
電話 / TEL: 0769-83060958 傳真 / FAX: 0769-81608993

網址: [HTTP://WWW.INGHAI.COM](http://www.inghai.com)

# DONGGUAN INGHAI ELECTRONICS CO.,LTD

**Model NO:** GPD3015L310-3-24V3500-J

**A: DIMENSIONS** Unit:mm Tolerance:  $\pm 0.5$  线长 L100mm



## B: SPECIFICATIONS

|                                      |  |
|--------------------------------------|--|
| Model NO                             | GPD3015L100  |
| Rated Voltage                        | 3-24VDC  |
| Operating Voltage                    | 3-25VDC  |
| Max.Rated Current                    | Max.40mA   |
| Sound Pressure level(dB/min) at 10cm | Min.95dB   |
| Resonant Frequency                   | $3100 \pm 500$ Hz  |
| Operating Temperature                | $-25\text{ }^{\circ}\text{C} \sim +70\text{ }^{\circ}\text{C}$ |
| Storage Temperature                  | $-30\text{ }^{\circ}\text{C} \sim +75\text{ }^{\circ}\text{C}$ |
| Housing Material                     | ABS  |

### Measuring condition

Part shall be measured under a condition (Temperature:  $5 \sim 35\text{ }^{\circ}\text{C}$ , Humidity:  $45\% \sim 85\%$ R.H., Atmospheric pressure:  $860 \sim 1060$ hPa) unless the standard condition (Temperature:  $25 \pm 3\text{ }^{\circ}\text{C}$ , Humidity:  $60 \pm 10\%$ R.H., Atmospheric pressure:  $860 \sim 1060$ hPa) is regulated to measure.

## C: Reliability Test

After any following tests the part shall meet specifications without any degradation in appearance and performance except SPL. SPL shall not deviate more than -10 dB from the initial value

### 1. Ordinary Temperature Life Test

The part shall be subjected to 96 hours at  $25 \pm 10^\circ\text{C}$ . Input rated voltage Resonant frequency, 1/2 duty Square wave.

### 2. High Temperature Test

The part shall be capable of with standing a storage temperature of  $+70^\circ\text{C}$  for 96 hours.

### 3. Low Temperature Test

The part shall be capable of with standing a storage temperature of  $-30^\circ\text{C}$  for 96 hours.

### 4. Humidity Test

Temperature:  $+40^\circ\text{C} \pm 3^\circ\text{C}$  Relative Humidity: 90% ~ 95% Duration: 48 hours and expose to room temperature for 6 hours

### 5. Temperature Shock Test

Temperature:  $60^\circ\text{C}$  /1hour →  $25^\circ\text{C}$ /3hours →  $-30^\circ\text{C}$ /1hour →  $25^\circ\text{C}$ /3hours (1cycle)  
Total cycle: 10 cycles

### 6. Drop Test

Standard Packaging From 120mm (Drop on hard wood or board of 5cm thick, three sides, six plain.)

### 7. Vibration Test

Vibration: 1000cycles /min. Amplitude: 1.5mm, Duration: 1 hour in each 3 axes

### Note:

As this product is not protected from foreign material entering, please make sure that any foreign materials (e.g. magnetic powder, washing solvent, flux, corrosive gas) do not enter this product in your production processes. The functional degradation (e.g. SPL down) may occur if foreign material enter it.

## X-ON Electronics

Largest Supplier of Electrical and Electronic Components

*Click to view similar products for [Piezo Buzzers & Audio Indicators](#) category:*

*Click to view products by [INGHAI](#) manufacturer:*

Other Similar products are found below :

[PFD-21A29W](#) [PLD-21N30W](#) [REM-6027F-1.5](#) [RH1020C-010-NFP-G-NL](#) [PFD-27N36W](#) [KBS-20DA-7AS](#) [KBS-27DA-5C-105](#)  
[RFS5015382PNL](#) [MSR516NP](#) [DMT-1606S-NL](#) [OMT112](#) [SCE016SD3CM4B](#) [DMT-09-1-4B-NL](#) [HBO0302C-58/1248](#) [AT-3045-TF-LW110-R](#) [SMA-17-S](#) [BMS3650L-LF](#) [SMT-0540-T-7-R](#) [SMT-0540-T-2-R](#) [AT-0927-TT-2-R](#) [AT-2310-T-LW100-R](#) [SMI-1324-TW-5V-4-R-T/R](#)  
[SC0715BL](#) [AI-1027-TWT-5V-R](#) [SC235AF](#) [SMT-0827-TW-5V-R](#) [AT-2830-TWT-R](#) [AT-1220-TT-5-R](#) [AT-1220-TT-10-R](#) [AT-1127-ST-2-R](#)  
[AT-1220-TWT-5V-R](#) [AT-1750-TFL-LW95-R](#) [AI-2437-TWT-R](#) [SMT-1427-S-R](#) [SMT-1127-S-R](#) [AI-3245-TF-LW95-R](#) [AI-2438-TT-R](#)  
[AB2040B](#) [SMI-1324-TW-3V-R](#) [SMT-1324-TW-5V-R](#) [AT-2429-TWT-R](#) [AI-1223-TWT-12V-3-R](#) [AI-1440-TWT-24V-2-R](#) [AB4113B](#) [AI-1223-TWT-5V-4-R](#) [X-4028-P-C32-R](#) [AI-2304-TF-LW120-12V-R](#) [AI-4329-P-SP28-R](#) [XL-5020-TF-LW150-S-R](#) [SMA-30-P17.5](#)