

規格承認書

PECIFICATION FOR APPROVAL

客戶
CUSTOMER : 通用型規格書 电压范围 3-24V
項目
ITEM : 压电有源蜂鸣器 (内含驱动电路)
型號
TYPE : GPD30245L100-3-36V3500
描述
DESCRIPTION : ϕ 29.5 x H24.5 mm 3500Hz 3-36V \geq 110dB L=100mm
客戶料號
CUSTOMER NO. :
規格書號
SPECIFICATION NO.:
版本
EDITION NO. : V1.0
日期
DATE : 20

客戶承認

CUSTOMER CONFIRM AND SIGN

檢查 TESTED BY	審核 CHECKED BY	承認 APPROVED BY

東莞市贏海電子有限公司

DONGUAN INGHAİ ELECTRONICS CO.,LTD

製作 ISSUED BY	審查 CHECKED BY	確認 APPROVED BY
周明	李林	

地址：廣東省東莞市長安鎮上沙第五工業區新春 1 路新春科技園

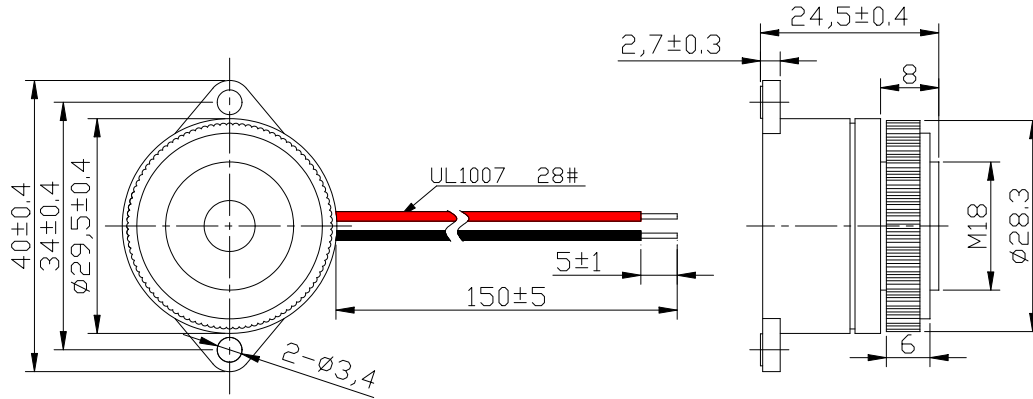
電話 / TEL: 0769-83060958 傳真 / FAX: 0769-81608993

網址: HTTP://WWW.INGHAİ.COM

DONGGUAN INGHAI ELECTRONICS CO.,LTD

Model NO: GPD30245L100-3-36V3500

A: DIMENSIONS Unit:mm Tolerance: ± 0.5 线长 L100mm

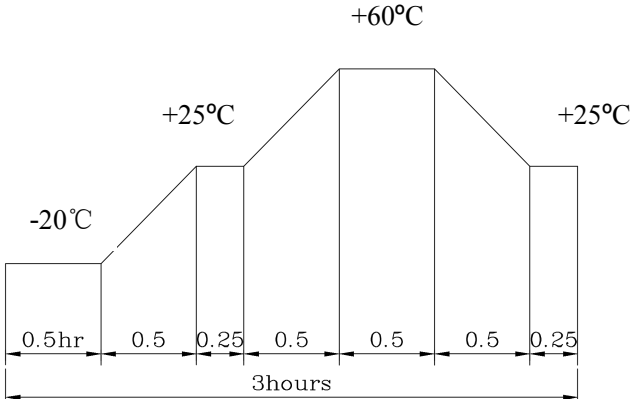


B: SPECIFICATIONS

Model NO	GPD30245L100
Rated Voltage	3-36VDC
Operating Voltage	3-38VDC
Max.Rated Current	Max.50mA
sound Pressure level(dB/min)at10cm	Min.110dB
Resonant Frequency	3500 ± 500 Hz
Operating Temperature	$-20 \text{ }^{\circ}\text{C} \sim +60 \text{ }^{\circ}\text{C}$
Storage Temperature	$-30 \text{ }^{\circ}\text{C} \sim +70 \text{ }^{\circ}\text{C}$

Measuring condition

Part shall be measured under a condition (Temperature: $5 \sim 35^{\circ}\text{C}$, Humidity: $45\% \sim 85\%$ R.H., Atmospheric pressure: $860 \sim 1060$ hPa) unless the standard condition (Temperature: $25 \pm 3^{\circ}\text{C}$, Humidity: $60 \pm 10\%$ R.H. Atmospheric pressure: $860 \sim 1060$ hPa) is regulated to measure.

NO.	ITEM	TEST CONDITION AND REQUIREMENT
1	High Temperature Test (Storage)	After being placed in a chamber with $60 \pm 2^\circ\text{C}$ for 48 hours and then being placed in normal condition for 2 hours. Allowable variation of SPL after test: $\pm 10\text{dB}$.
2	Low Temperature Test (Storage)	After being Placed in a chamber with $-20 \pm 2^\circ\text{C}$ for 48 hours and then being placed in normal condition for 2 hours. Allowable variation of SPL after test: $\pm 10\text{dB}$.
3	Humidity Test	After being Placed in a chamber with 90-95% R.H. at $40 \pm 2^\circ\text{C}$ for 48 hours and then being placed in normal condition for 2 hours. Allowable variation of SPL after test: $\pm 10\text{dB}$.
4	Temperature Cycle Test	<p>The part shall be subjected to 5 cycles. One cycle shall be consist of:</p>  <p>The diagram illustrates a temperature cycle profile over a 3-hour period. It starts at -20°C for a 0.5-hour dwell. The temperature then ramps up to $+25^\circ\text{C}$ in 0.5 hours, where it dwells for 0.25 hours. It then ramps up to $+60^\circ\text{C}$ in 0.5 hours, dwells for 0.5 hours, and ramps down to $+25^\circ\text{C}$ in 0.5 hours. Finally, it dwells at $+25^\circ\text{C}$ for 0.25 hours. The total cycle time is 3 hours.</p> <p>Allowable variation of SPL after test: $\pm 10\text{dB}$.</p>
5	Solderability Test	Lead terminals are immersed in rosin for 3 seconds and then immersed in solder bath of $+300^\circ\text{C}$ for 3seconds . 90% min. lead terminals shall be wet with solder (Except the edge of terminals).

X-ON Electronics

Largest Supplier of Electrical and Electronic Components

Click to view similar products for [Piezo Buzzers & Audio Indicators](#) category:

Click to view products by [INGHAI](#) manufacturer:

Other Similar products are found below :

[PFD-21A29W](#) [PLD-21N30W](#) [REM-6027F-1.5](#) [RH1020C-010-NFP-G-NL](#) [PFD-27N36W](#) [KBS-20DA-7AS](#) [KBS-27DA-5C-105](#)
[RFS5015382PNL](#) [MSR516NP](#) [DMT-1606S-NL](#) [OMT112](#) [SCE016SD3CM4B](#) [DMT-09-1-4B-NL](#) [HBO0302C-58/1248](#) [AT-3045-TF-LW110-R](#) [SMA-17-S](#) [BMS3650L-LF](#) [SMT-0540-T-7-R](#) [SMT-0540-T-2-R](#) [AT-0927-TT-2-R](#) [AT-2310-T-LW100-R](#) [SMI-1324-TW-5V-4-R-T/R](#)
[SC0715BL](#) [AI-1027-TWT-5V-R](#) [SC235AF](#) [SMT-0827-TW-5V-R](#) [AT-2830-TWT-R](#) [AT-1220-TT-5-R](#) [AT-1220-TT-10-R](#) [AT-1127-ST-2-R](#)
[AT-1220-TWT-5V-R](#) [AT-1750-TFL-LW95-R](#) [AI-2437-TWT-R](#) [SMT-1427-S-R](#) [SMT-1127-S-R](#) [AI-3245-TF-LW95-R](#) [AI-2438-TT-R](#)
[AB2040B](#) [SMI-1324-TW-3V-R](#) [SMT-1324-TW-5V-R](#) [AT-2429-TWT-R](#) [AI-1223-TWT-12V-3-R](#) [AI-1440-TWT-24V-2-R](#) [AB4113B](#) [AI-1223-TWT-5V-4-R](#) [X-4028-P-C32-R](#) [AI-2304-TF-LW120-12V-R](#) [AI-4329-P-SP28-R](#) [XL-5020-TF-LW150-S-R](#) [SMA-30-P17.5](#)