

規格承認書

PECIFICATION FOR APPROVAL

客戶
CUSTOMER : 立創

項目
ITEM : 贴片式电磁无源蜂鸣器 (外部驱动)

型號
TYPE : GSC7525RA-16R2700

描述
DESCRIPTION : 7.5 x 2.5 MM 2700Hz 16Ω 3.3V 80DB 侧发音 LCP 材质

客戶料號
CUSTOMER NO. : _____

規格書號
SPECIFICATION NO.: _____

版本
EDITION NO. : V1.1

日期
DATE : 2019-12-26

客戶承認

CUSTOMER CONFIRM AND SIGN

| 檢查 TESTED BY | 審核 CHECKED BY | 承認 APPROVED BY |
|-----------------|------------------|-------------------|
| | | |

東莞市贏海電子有限公司

DONGUAN INGHAI ELECTRONICS CO.,LTD

| 製作 ISSUED BY | 審查 CHECKED BY | 確認 APPROVED BY |
|-----------------|------------------|-------------------|
| 周明 | | 李建超 |

地址：廣東省東莞市長安鎮上沙管理區北橫路 8 號
電話 / TEL: 0769-83060958 傳真 / FAX: 0769-81608993
網址: HTTP://WWW.INGHAI.COM

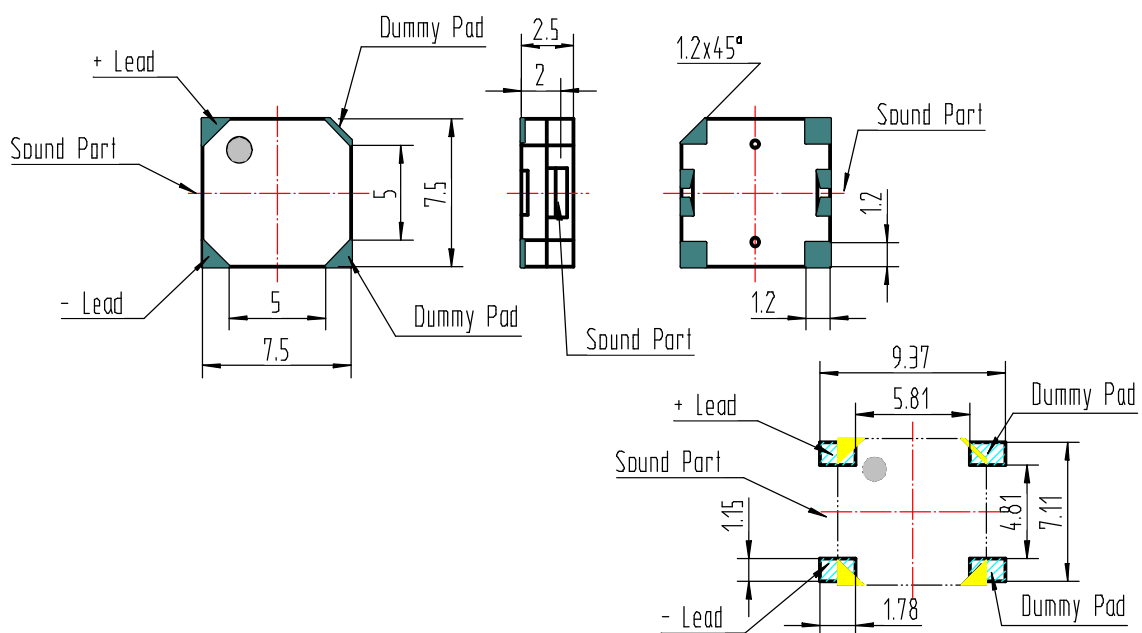
A. SCOPE

This specification applies magnetic buzzer, GSC7525RA-16R2700

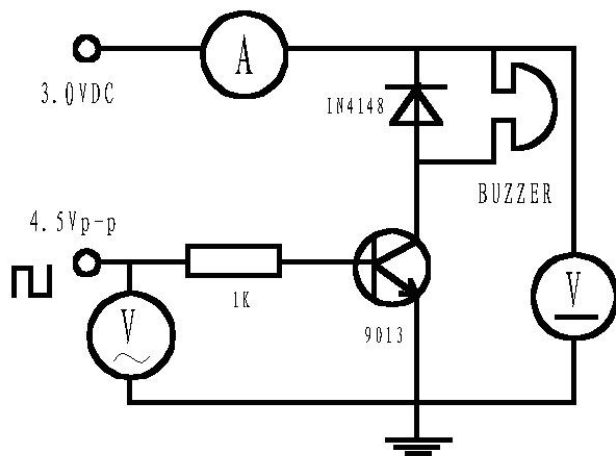
B. SPECIFICATION

| No. | Item | Unit | Specification | Condition |
|-----|-------------------------------------|--------------------|---------------|--|
| 1 | Oscillation Frequency | Hz | 2700 | Vo-p=1/2duty , square wave |
| 2 | Operating Voltage | Vo-p | 2.5~ 4.5 Vo-p | |
| 3 | Rated Voltage | Vo-p | 3.6 Vo-p | |
| 4 | Current Consumption | mA | Max.100mA | At 2731Hz 50% duty Square Wave 3.6Vo-p |
| 5 | Sound Pressure Level | dB | Min. 80dB | At 2731Hz 50% duty Square Wave 3.6Vo-p |
| 6 | Coil Resistance | Ω | 16 \pm 3 | |
| 7 | Operating Temperature | $^{\circ}\text{C}$ | -20 ~ +80 | |
| 8 | Storage Temperature | $^{\circ}\text{C}$ | -40 ~ +85 | |
| 9 | Dimension | mm | 7.5 x H2.5 | See appearance drawing |
| 10 | Environmental Protection Regulation | | RoHS | |

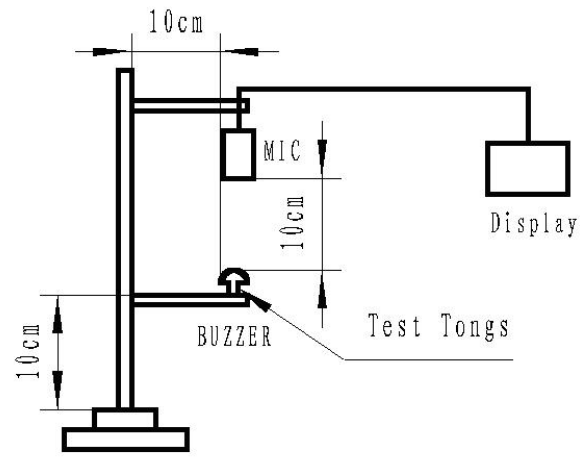
C. APPEARANCE DRAWING Tol : ± 0.3 Unit: mm



D: TEST METHOD:

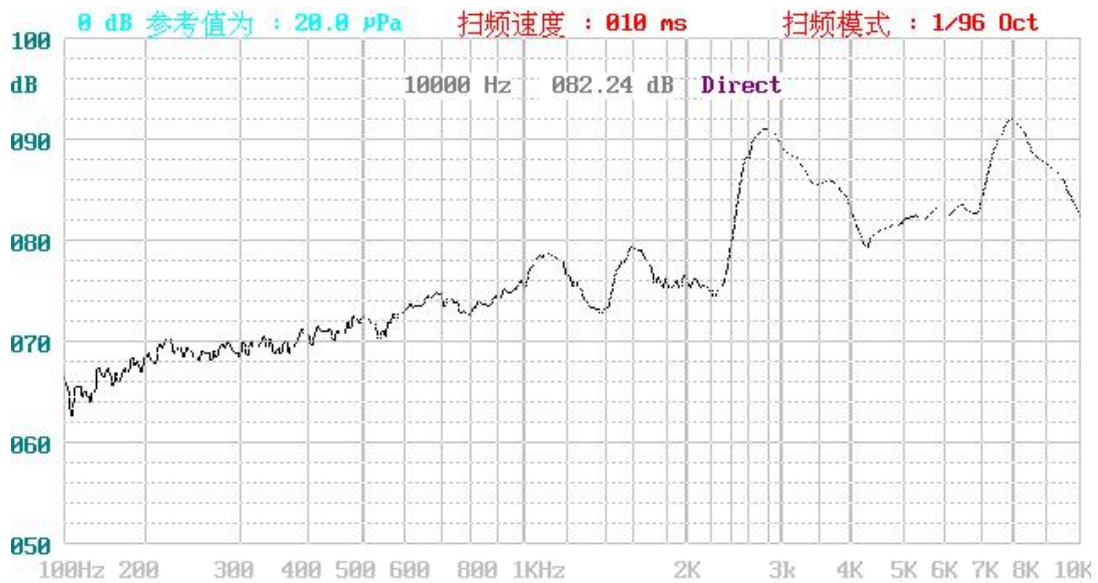


Test Circuit



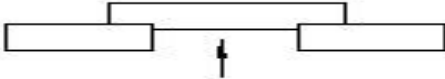
Test Equips

E: FREQUENCY RESPONSE:

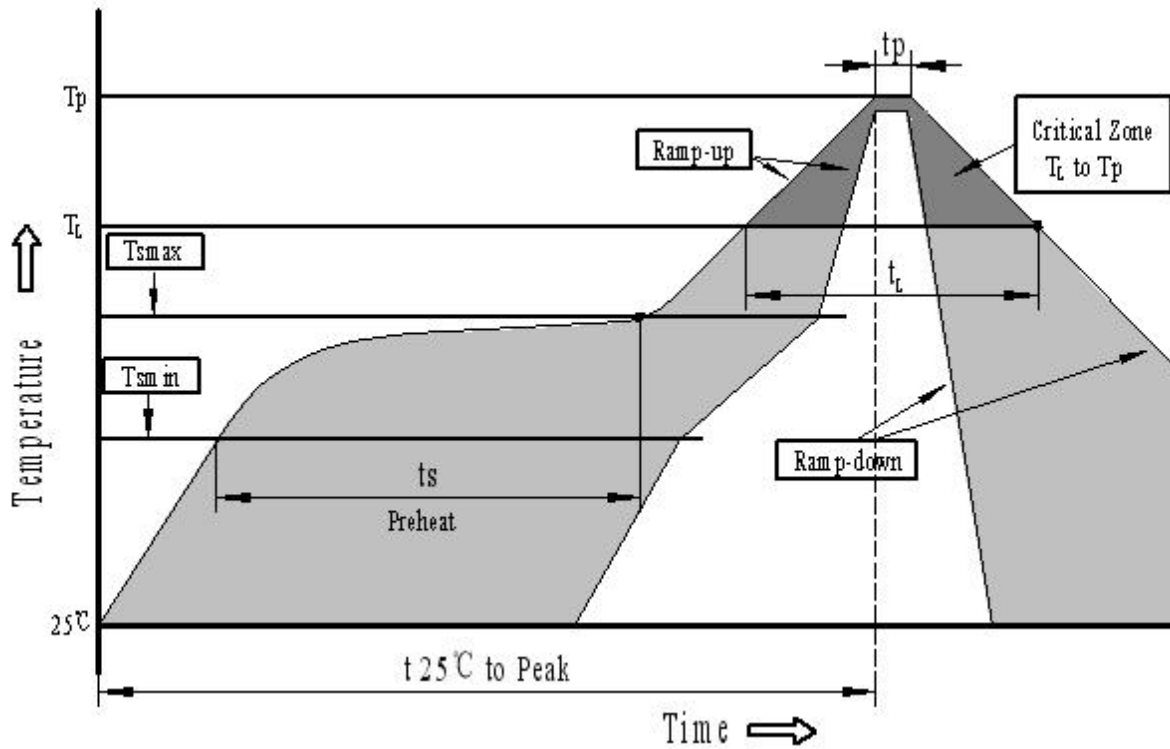


3.6Vo-p 50% duty Square wave, 10cm

F: RELIABLE TEST:

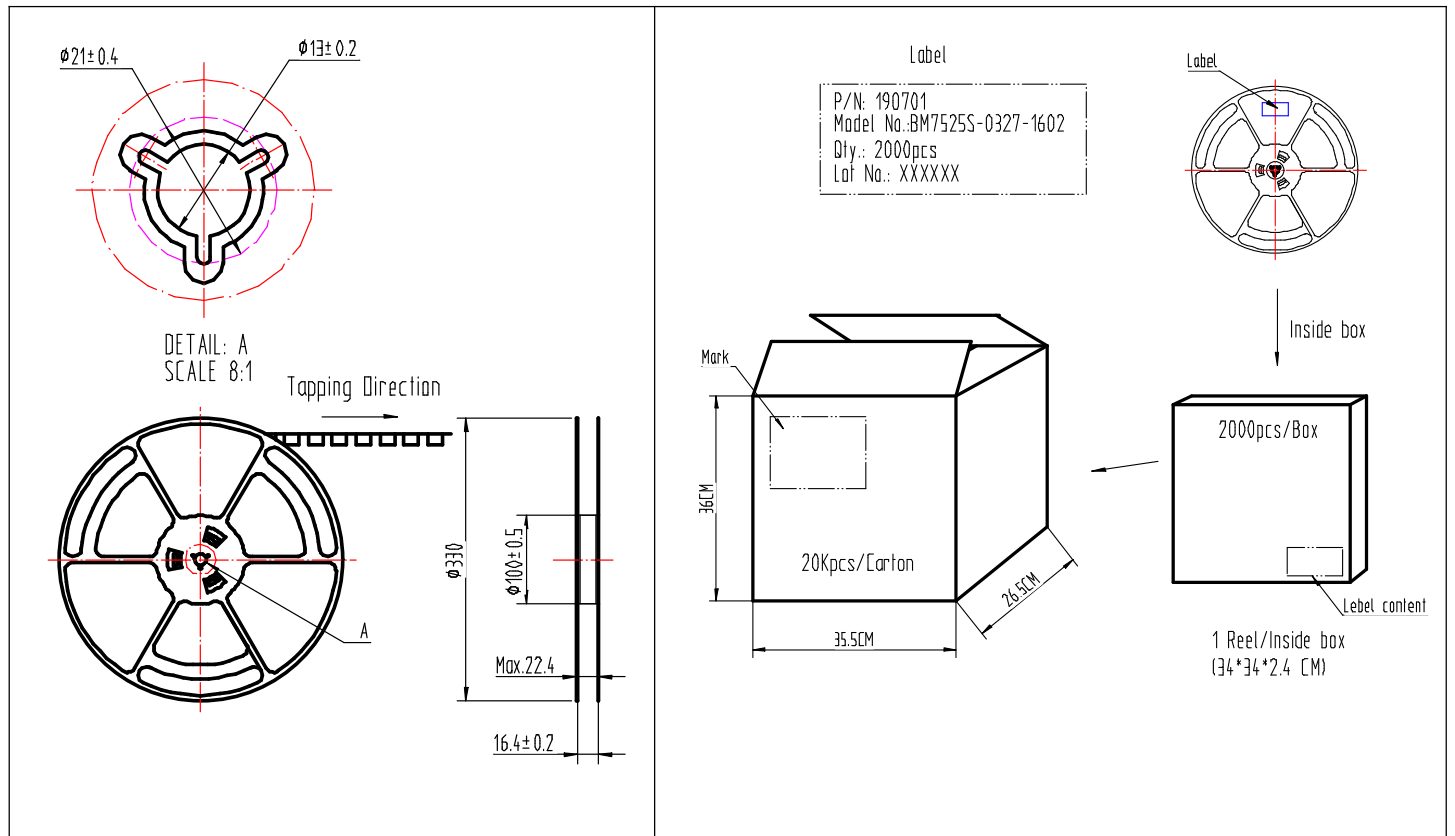
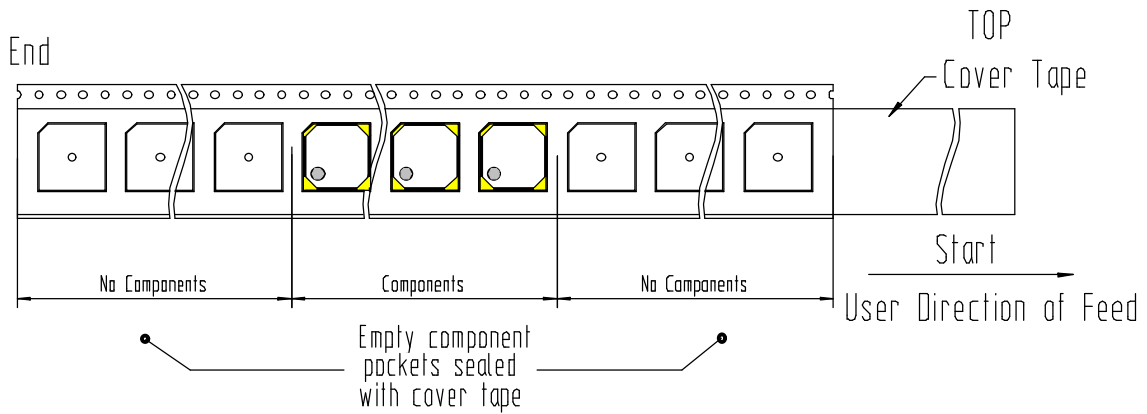
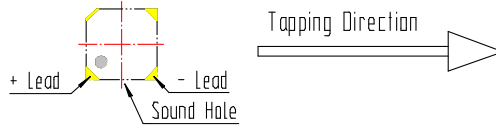
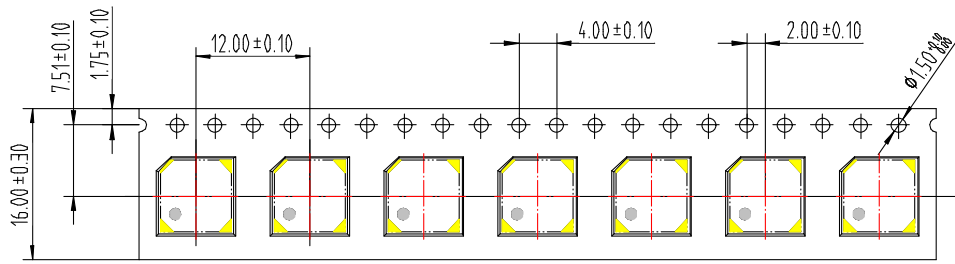
| NO. | ITEM | TESTING CONDITION | VARIANCE AFTER TEST | |
|-----|---|--|---|--|
| 1 | <i>High temp. storage life</i> | The part shall be capable of withstanding a storage temperature is +80°C for 120 hours | <p><i>After the test the part shall meet specifications without any degradation in appearance and performance except SPL shall be initial value ± 10dB or more.</i></p> | |
| 2 | <i>Low temp. storage life</i> | The part shall be capable of withstanding a storage temperature is -30°C for 120 hours | | |
| 3 | Temp. Cycle | Total 5 cycles, 1 cycle consisting of -30±2°C, 30 minutes 20±5°C 15 minutes 80±2°C, 30 minutes 20±5°C 15 minutes | | |
| 4 | Humidity Test | 30±2°C, 90~95% RH, 120 hours | | |
| 5 | Vibration Test | The part shall be subjected to a vibration cycle is 10Hz in a period of 1 minute. Total peak amplitude shall be .52mm(9.3g). The vibration test shall consist of 2 hours per plane in each three mutually perpendicular planes for a total time of 6 hours. | | |
| 6 | Shock | Sounder shall be measured after being applied shock (980m/s ²) for each three mutually perpendicular directions to each of 3 times by half sine wave. | | |
| 7 | Drop Test | Dropped naturally from 700mm height onto the surface of 10mm thick wooden board. 2 directions-upper and side of the part are to be applied. | | |
| 8 | Lead pull | The part shall be pushed with a force of 9.8N for 10±1 seconds behind the part.  | | After the test part shall meet specifications without any degradation in appearance and performance. |
| 9 | Recommended temp. Profile for Reflow Oven | Shown in Fig.1 | | |

G: Recommended Temp. Profile for Reflow Oven (Fig.1)



| Profile Feature | Pb-Free Assembly |
|--|------------------|
| Average ramp-up rate(T_L to T_p) | 3°C/second max. |
| Preheat | |
| -Temperature Min.(T_{Smin}) | 150°C |
| -Temperature Min.(T_{Smax}) | 200°C |
| -Temperature Min.(t_s) | 60~180 seconds |
| T_{Smax} to T_L | |
| -Ramp-up Rate | 3°C/second max. |
| Time maintained above: | |
| - Temperature(T_L) | 217°C |
| -Time(T_L) | 60~150 seconds |
| Peak temperature(T_p) | 250°C+0/-5°C |
| Time within 5°C of actual Peak temperature (t_p) | 6 seconds max. |
| Ramp-down Rate | 6°C/second max. |
| Time 25°C to Peak Temperature | 8 minutes max. |

H: PACKING:



X-ON Electronics

Largest Supplier of Electrical and Electronic Components

Click to view similar products for [Audio Indicators & Alerts](#) category:

Click to view products by [INGHAI](#) manufacturer:

Other Similar products are found below :

[M2BJ-BH24E](#) [6-4](#) [68S1240-PA](#) [MBA-624](#) [F/BC 40P-DR LF](#) [FDG111PLF](#) [F/NRMB 24 BLACK LF](#) [PF-35N29WQ](#) [PFD-27A35PQ](#) [PL-27A35PSQ](#) [PS-531Q](#) [AB2020B-2-LW1](#) [EBPT-401](#) [PB06SD12AP](#) [PB-1220PEQ](#) [S6109](#) [SC2036ACP](#) [SC616N-2](#) [SC628FW](#) [SC628MPG](#) [SC648D](#) [SCS045MD9DT3S](#) [AB2025B-LW50-R](#) [ESZ-25B-5-250B](#) [F/BC 35-DR LF](#) [FCM12PLF](#) [F/EB20P-DR LF](#) [F/HU110MP24V-IP67B LF](#) [AI-2835-TF-LW150-2-R](#) [AI-4228-TF-LW305-R](#) [FSMD8585JSLF](#) [FSS-26T](#) [F/SU 21-02 LF](#) [F/TCW 05 WITH LABEL LF](#) [F/UCW 03 WITH LABEL LF](#) [F/UCW 06 WITH LABEL LF](#) [PKM22EPPH40S1-B0](#) [PKM35-4A0](#) [PL-35N29WQ](#) [PLD-27A35PQ](#) [PS-552Q](#) [CM-5](#) [M2BJ-BH24E-D](#) [REF-202](#) [LSC628ANR](#) [5-100 PAL-328](#) [03-810.001](#) [RTO-1R07-001](#) [PL-21N31PQ](#) [PF-27A25PSQ](#)