

# 規格承認書

PECIFICATION FOR APPROVAL

客戶  
CUSTOMER : \_\_\_\_\_  
項目  
ITEM : 贴片式电磁无源蜂鸣器 (外部驱动)  
型號  
TYPE : GSC8525RA-16R2700  
描述  
DESCRIPTION : 8.5 x 8.5 x 3 MM 2700Hz 16Ω 3V >=85DB LCP 材质 侧发音  
客戶料號  
CUSTOMER NO. : \_\_\_\_\_  
規格書號  
SPECIFICATION NO.: \_\_\_\_\_  
版本  
EDITION NO. : V1.0  
日期  
DATE : 2012-11-16

## 客戶承認

### CUSTOMER CONFIRM AND SIGN

| 檢查<br>TESTED BY | 審核<br>CHECKED BY | 承認<br>APPROVED BY |
|-----------------|------------------|-------------------|
|                 |                  |                   |

## 東莞市贏海電子有限公司

### DONGUAN INGHAI ELECTRONICS CO.,LTD

| 製作<br>ISSUED BY | 審查<br>CHECKED BY | 確認<br>APPROVED BY |
|-----------------|------------------|-------------------|
| 周明              |                  |                   |

地址：廣東省東莞市長安鎮上沙管理區北橫路 8 號

電話 / TEL: 0769-83060958 傳真 / FAX: 0769-81608993

網址: [HTTP://WWW.INGHAI.COM](http://www.inghai.com)

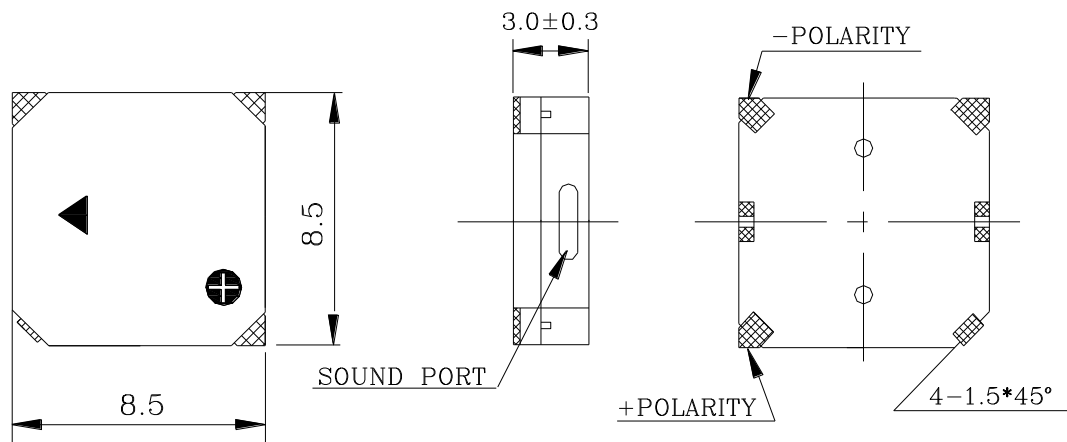
## A. SCOPE

This specification applies SMD piezoelectric buzzer,

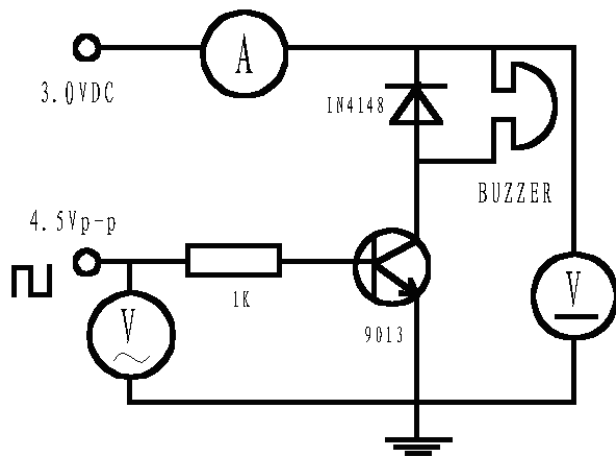
## B. SPECIFICATION

| No. | Item                                | Unit               | Specification    | Condition                  |
|-----|-------------------------------------|--------------------|------------------|----------------------------|
| 1   | Oscillation Frequency               | Hz                 | 2700             | Vo-p=1/2duty , square wave |
| 2   | Operating Voltage                   | Vo-p               | 2 ~ 5            |                            |
| 3   | <b>Rated Voltage</b>                | Vo-p               | 3                |                            |
| 4   | Current Consumption                 | mA                 | MAX. 90          | at Rated Voltage           |
| 5   | Sound Pressure Level                | dB                 | Min.85           | at 10cm at Rated Voltage   |
| 6   | Coil Resistance                     | $\Omega$           | 16 $\pm$ 3       |                            |
| 7   | Operating Temperature               | $^{\circ}\text{C}$ | -20 ~ +80        |                            |
| 8   | Storage Temperature                 | $^{\circ}\text{C}$ | -30 ~ +85        |                            |
| 9   | Dimension                           | mm                 | 8.5 x 8.5 x 3 MM | See appearance drawing     |
| 10  | Environmental Protection Regulation |                    | RoHS             |                            |

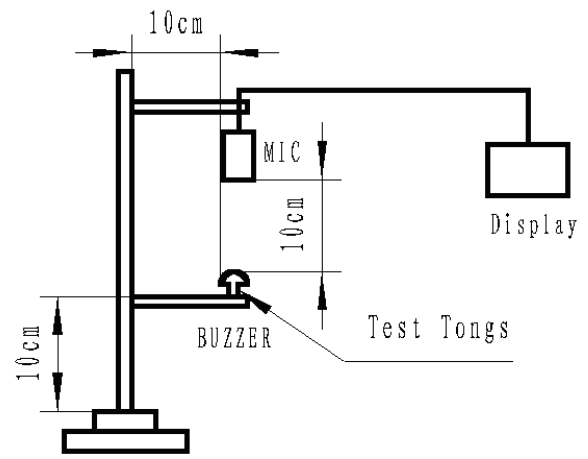
## C. APPEARANCE DRAWING Tol : $\pm 0.3$ Unit: mm



### D: TEST METHOD:

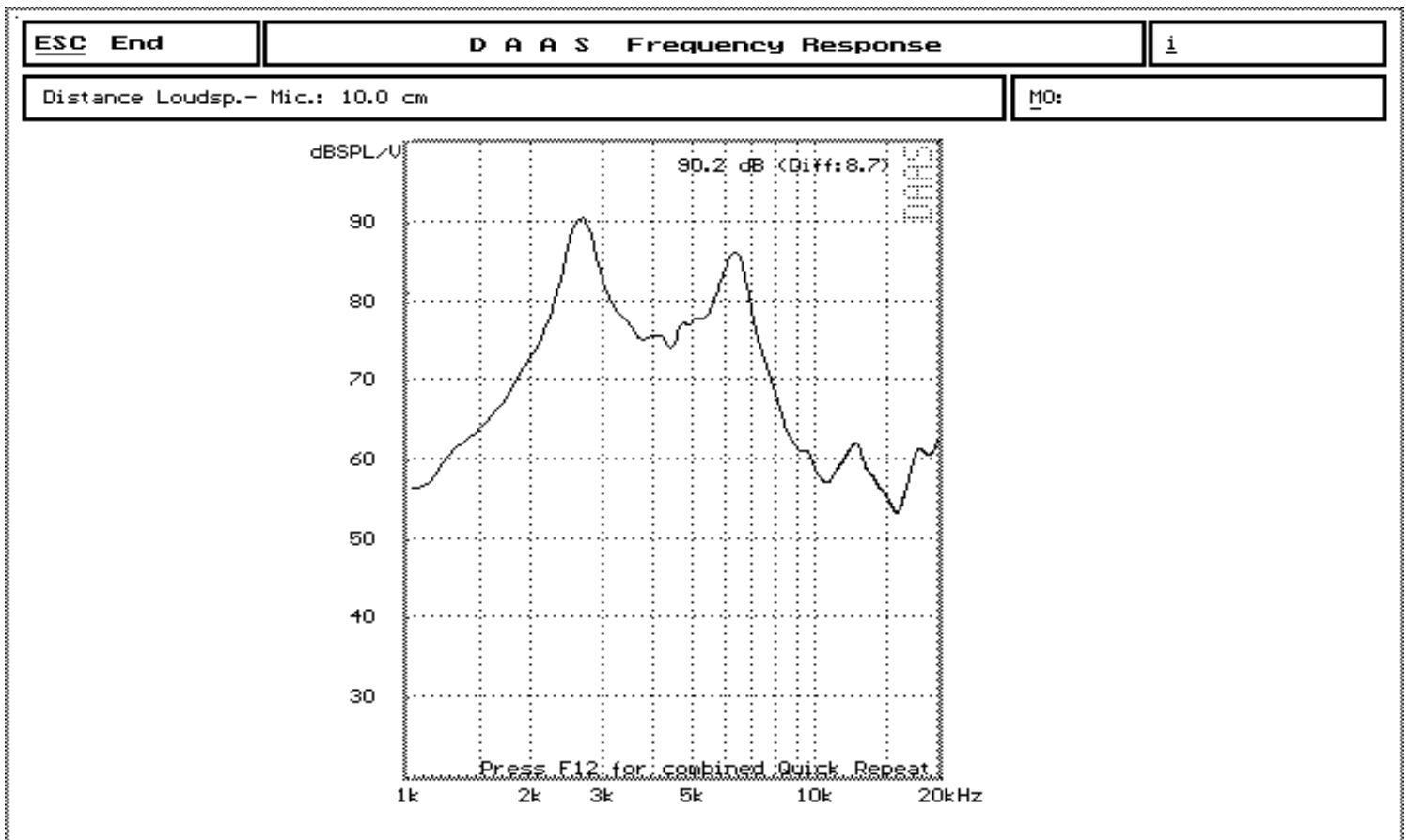


Test Circuit



Test Equips

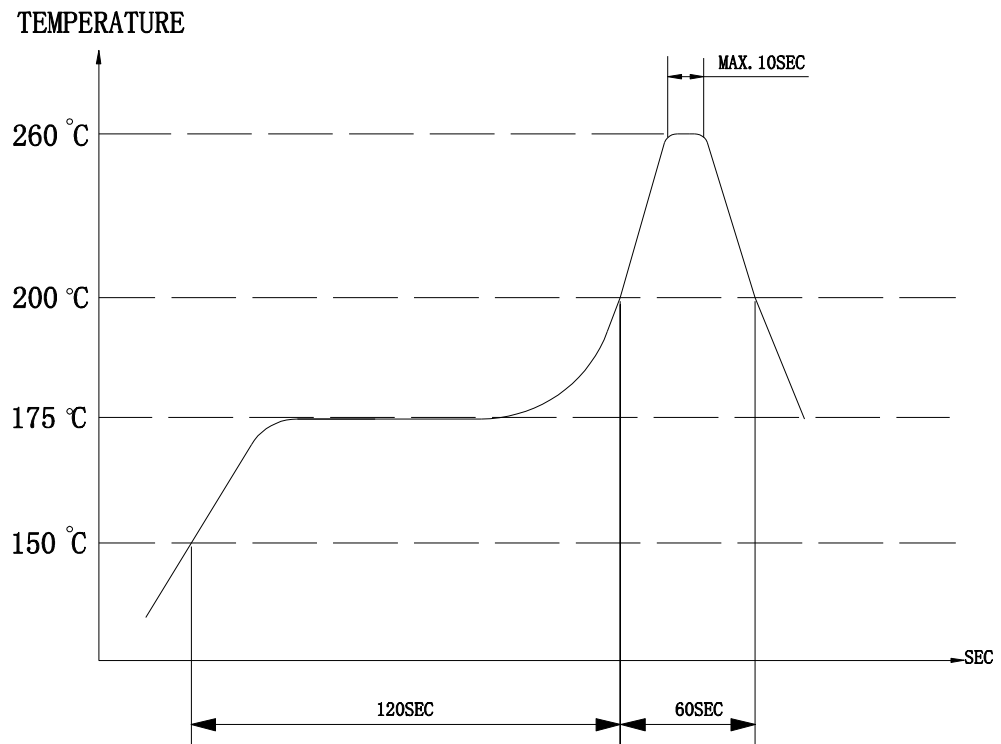
### E: FREQUENCY RESPONSE:



## F. Soldering Condition

- (1) Recommendable reflow soldering condition is as follows  
(Reflow soldering is twice)

Note: It is requested that reflow soldering should be executed after heat of product goes down to normal.



Heat resistant line

(Used when heat resistant reliability test is performed)

- (2) Manual soldering

Manual soldering temperature 350 °C within 5 sec.

## **G: Reliability Test**

After any following tests the part shall meet specifications without any degradation in appearance and performance except SPL. SPL shall not deviate more than -10 dB from the initial value

### **1. Ordinary Temperature Life Test**

The part shall be subjected to 96 hours at  $25 \pm 10^\circ\text{C}$ . Input rated voltage Resonant frequency, 1/2 duty Square wave.

### **2. High Temperature Test**

The part shall be capable of with standing a storage temperature of  $+85^\circ\text{C}$  for 96 hours.

### **3. Low Temperature Test**

The part shall be capable of with standing a storage temperature of  $-30^\circ\text{C}$  for 96 hours.

### **4. Humidity Test**

Temperature:  $+40^\circ\text{C} \pm 3^\circ\text{C}$  Relative Humidity: 90%~95% Duration: 48 hours and expose to room temperature for 6 hours

### **5. Temperature Shock Test**

Temperature:  $70^\circ\text{C}$  /1hour →  $25^\circ\text{C}$ /3hours →  $-30^\circ\text{C}$ /1hour →  $25^\circ\text{C}$ /3hours (1cycle)  
Total cycle: 10 cycles

### **6. Drop Test**

Standard Packaging From 120mm(Drop on hard wood or board of 5cm thick, three sides, six plain.)

### **7. Vibration Test**

Vibration: 1000cycles /min. Amplitude: 1.5mm, Duration: 1 hour in each 3 axes

## **Measuring condition**

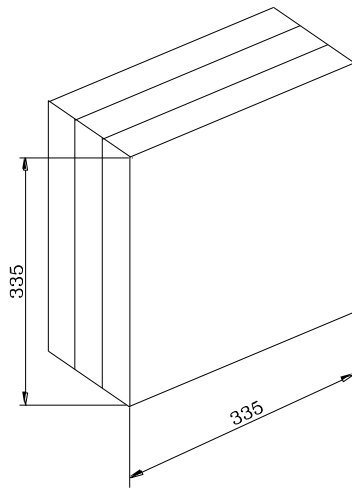
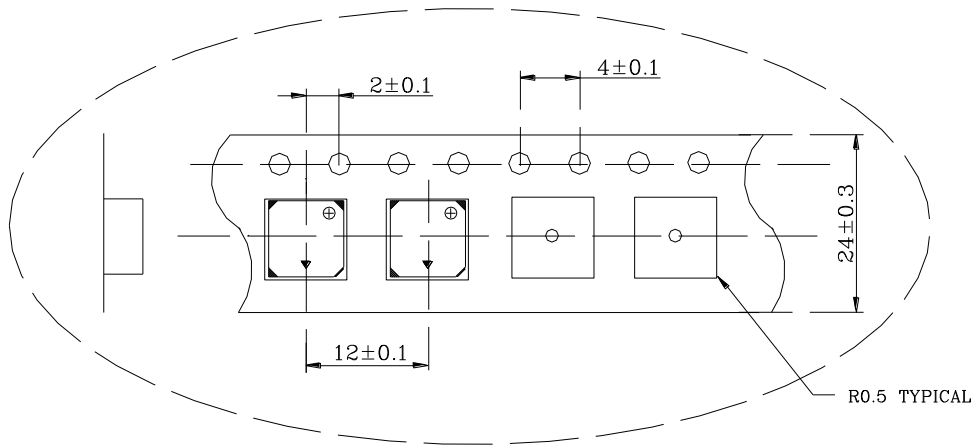
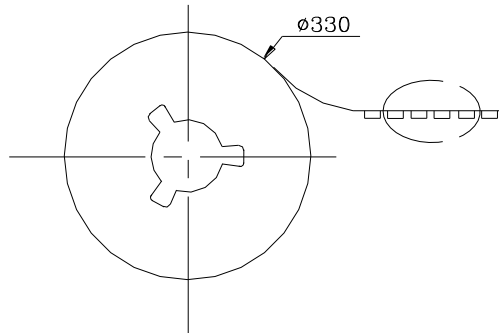
Part shall be measured under a condition (Temperature:  $5 \sim 35^\circ\text{C}$ , Humidity: 45%~85%R.H., Atmospheric pressure: 860 ~1060hPa) unless the standard condition (Temperature:  $25 \pm 3^\circ\text{C}$ , Humidity:  $60 \pm 10\%$ R.H. Atmospheric pressure: 860 ~1060hPa) is regulated to measure.

## **Note:**

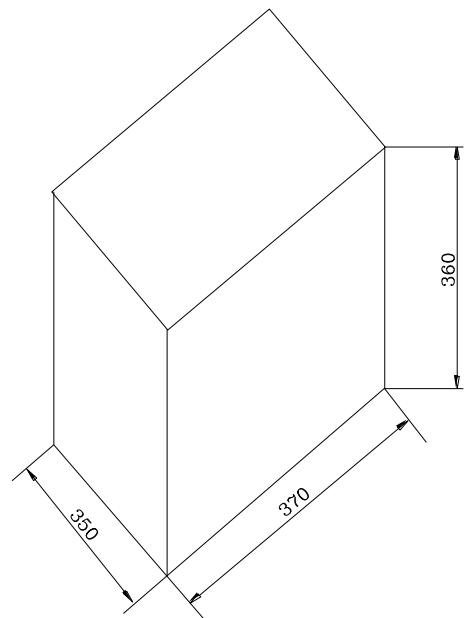
As this product is not protected from foreign material entering, please make sure that any foreign materials (e.g. magnetic powder, washing solvent, flux, corrosive gas) do not enter this product in your production processes. The functional degradation (e.g. SPL down) may occur if foreign material enter it.

**H:PACKING:**

CARRIER REEL  
1K PCS BUZZER



INNER BOX  
1 ROLL CARRIER REEL



CARTON BOX  
10 INNER BOX  
10K PCS BUZZER

Unit:mm

## X-ON Electronics

Largest Supplier of Electrical and Electronic Components

*Click to view similar products for [Piezo Buzzers & Audio Indicators](#) category:*

*Click to view products by [INGHAI](#) manufacturer:*

Other Similar products are found below :

[6-4](#) [68S1240-PA](#) [ESZ-26B](#) [FDG06PSLLF](#) [F/DGX12P WITH LABEL LF](#) [F/EM12PLF](#) [PF-35N29WQ](#) [PFD-21A29W](#) [PFD-27A35PQ](#) [PL-21N30WQ](#) [PL-27A35PSQ](#) [PLD-21N30W](#) [PLD-21N30WQ](#) [PS-531Q](#) [PT-3534FP](#) [B822B](#) [B/CP28/100DB/BLACK LF](#) [S6109](#) [SC110E](#) [SC2036ACP](#) [SC616N-2](#) [SC628FW](#) [SC628MPG](#) [SC648D](#) [SCS045MD9DT3S](#) [ESZ-25B-5-250B](#) [ESZ-25S](#) [F/BC 35-DR LF](#) [FCM12PLF](#) [SSX-52SA](#) [F/EB20P-DR LF](#) [AI-4228-TF-LW305-R](#) [F/SU 21-02 LF](#) [F/TCW 05 WITH LABEL LF](#) [PFD-27N36W](#) [PKM35-4A0](#) [PL-35N29WQ](#) [PLD-27A35PQ](#) [PS-552Q](#) [CM-5](#) [REF-202](#) [B/SE 128 RED LF](#) [KBS-20DA-7AS](#) [KBS-27DA-5C-105](#) [LSC628ANR](#) [03-810.001](#) [RTO-1R07-001](#) [PL-21N31PQ](#) [F-B-P1405ISB LF](#) [F/DGX 05P WITH LABEL LF](#)