

# 規格承認書

## PECIFICATION FOR APPROVAL

客戶  
CUSTOMER : 通用型规格书电压可做到 3V 5V 6V 9V 12V  
項目  
ITEM : 贴片式电磁有源蜂鸣器 (内部驱动)  
型號  
TYPE : GSD128065YB-3-12V2400  
描述  
DESCRIPTION : L12.8 X W12.8X H6.5 mm 2400Hz 3-12V ≥85dB 正发音 PPS 材质  
客戶料號  
CUSTOMER NO. :  
規格書號  
SPECIFICATION NO. :  
版本  
EDITION NO. : V1.0  
日期  
DATE : 201

### 客戶承認

#### CUSTOMER CONFIRM AND SIGN

| 檢查<br>TESTED BY | 審核<br>CHECKED BY | 承認<br>APPROVED BY |
|-----------------|------------------|-------------------|
|                 |                  |                   |

### 東莞市贏海電子有限公司

#### DONGUAN INGHAI ELECTRONICS CO.,LTD

| 製作<br>ISSUED BY | 審查<br>CHECKED BY | 確認<br>APPROVED BY |
|-----------------|------------------|-------------------|
| 周明              | 刘承成              |                   |

地址：广东省东莞市虎门镇怀德社区怀雅路雅瑶工业区  
電話 / TEL: 0769-83060958 傳真 / FAX: 0769-81608993  
網址: [HTTP://WWW.INGHAI.COM](http://www.inghai.com)

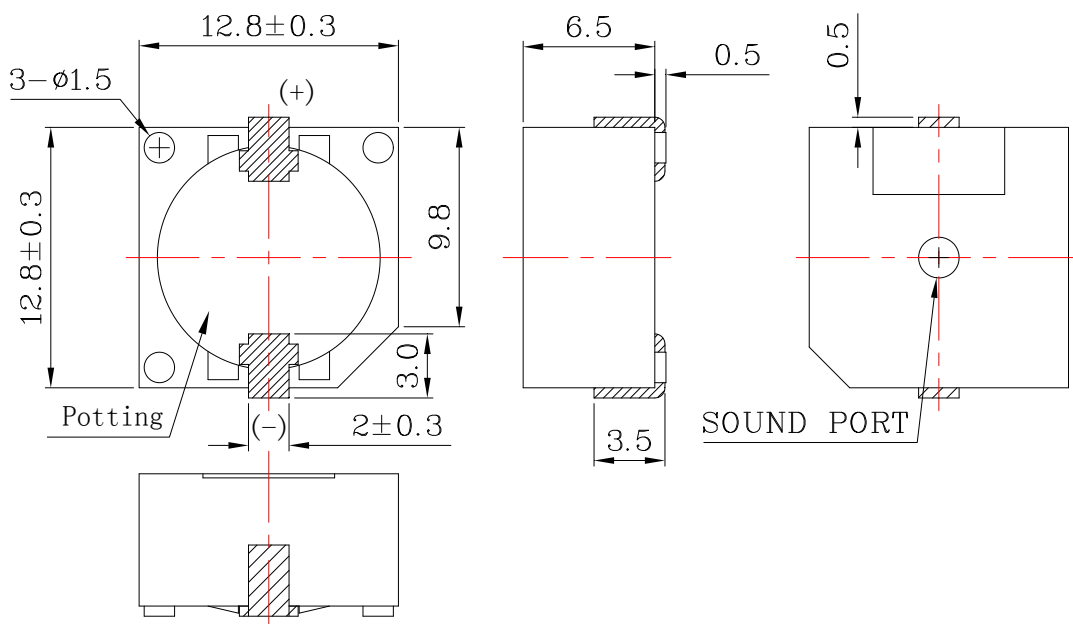
## A. SCOPE

This specification applies SMD piezoelectric buzzer, GSD128065YB-3-12V2400

## B. SPECIFICATION

| No. | Item                                | Unit | Specification        | Condition                |
|-----|-------------------------------------|------|----------------------|--------------------------|
| 1   | Oscillation Frequency               | KHz  | 2.4 ± 0.3            |                          |
| 2   | Operating Voltage                   | VDC  | 2~15                 |                          |
| 3   | <b>Rated Voltage</b>                | VDC  | 2-15                 |                          |
| 4   | Current Consumption                 | mA   | MAX. 30              | at Rated Voltage         |
| 5   | Sound Pressure Level                | dB   | MIN. 85              | at 10cm at Rated Voltage |
| 6   | Tone/Pulse Rate                     |      | Constant             |                          |
| 7   | Operating Temperature               | °C   | -20 ~ +70            |                          |
| 8   | Storage Temperature                 | °C   | -30 ~ +80            |                          |
| 9   | Dimension                           | mm   | 12.8 x 12.8 x H6.5   | See appearance drawing   |
| 10  | Weight (MAX)                        | gram | 2.0                  |                          |
| 11  | Housing Material                    |      | PPS                  |                          |
| 12  | Leading Pin                         |      | Tin Plated Brass(Sn) | See appearance drawing   |
| 13  | Environmental Protection Regulation |      | RoHS                 |                          |

## C. APPEARANCE DRAWING



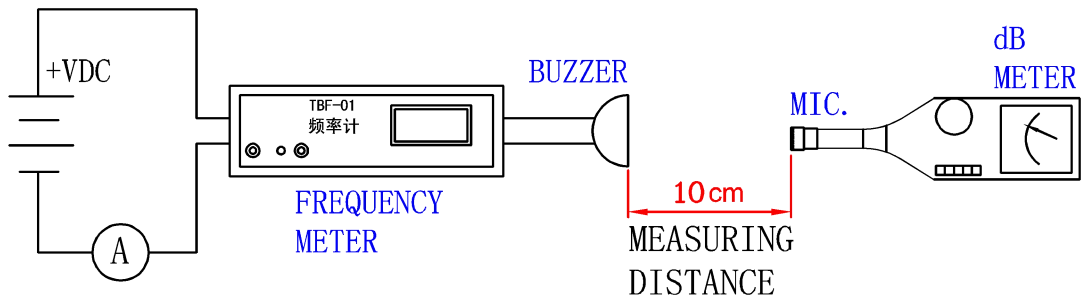
## D. TESTING METHOD

### Standard Measurement conditions

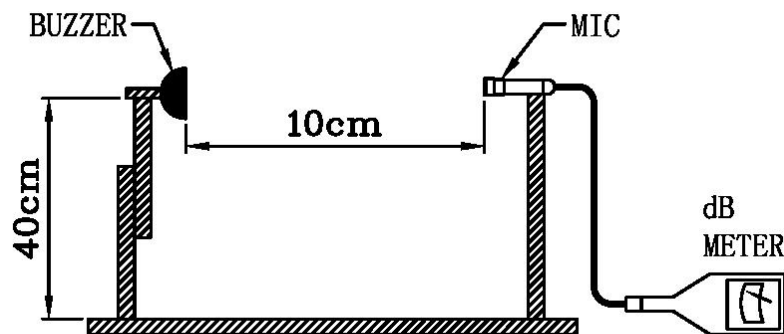
Temperature:  $25 \pm 2^\circ\text{C}$  Humidity: 45-65%

### Acoustic Characteristics:

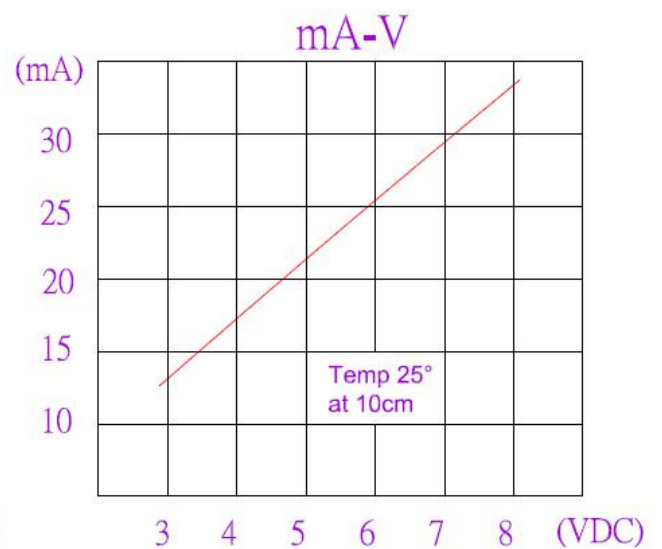
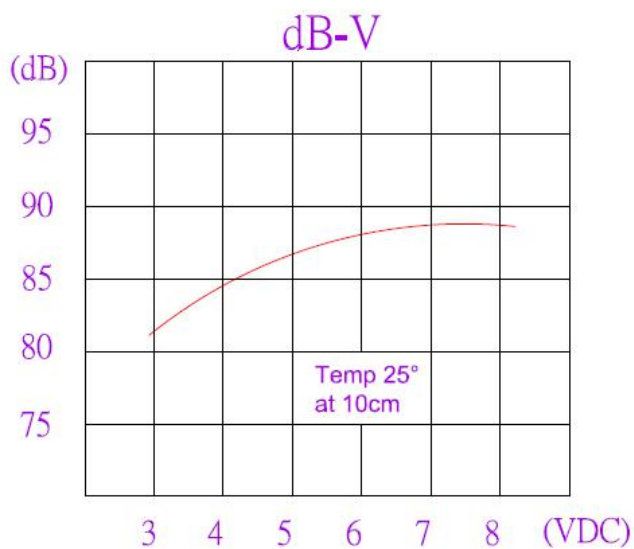
The oscillation frequency, current consumption and sound pressure are measured by the measuring instruments shown below



In the measuring test, buzzer is placed as follows:



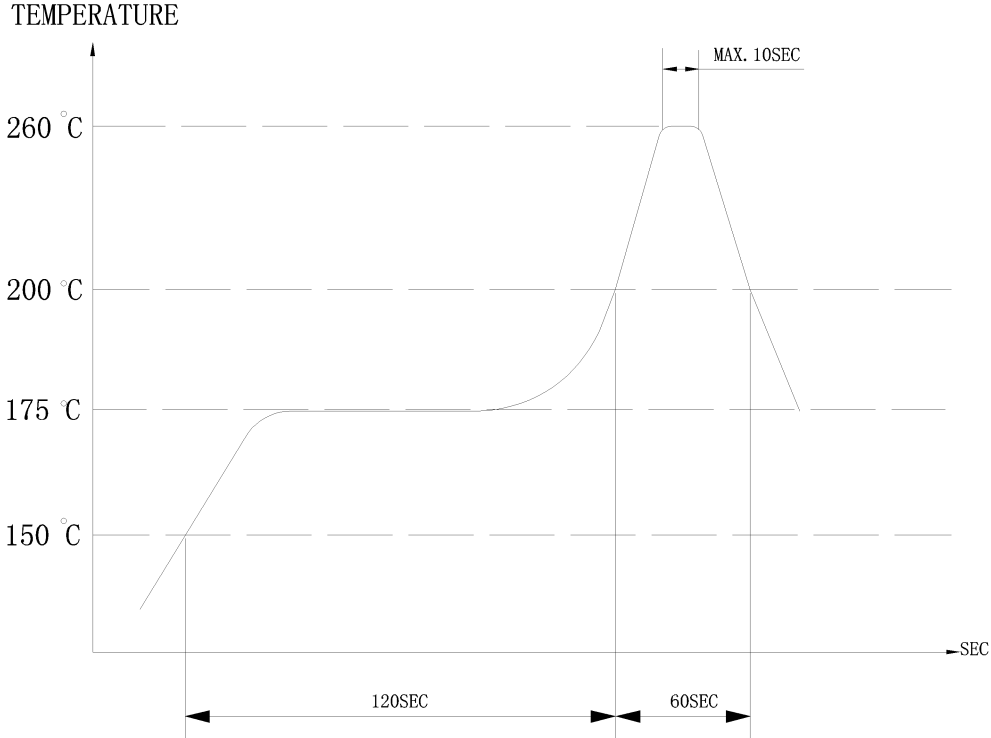
## E. VOLTAGE / CURRENT / SOUND PRESSURE CHARACTERISTICS



### F. Soldering Condition

(1)Recommendable reflow soldering condition is as follows  
(Reflow soldering is twice)

Note:It is requested that reflow soldering should be executed after heat of product goes down to normal.



Heat resistant line  
(Used when heat resistant reliability test is performed)

(2)Manual soldering  
Manual soldering temperature 350 °C within 5 sec.

## G: Reliability Test

After any following tests the part shall meet specifications without any degradation in appearance and performance except SPL. SPL shall not deviate more than -10 dB from the initial value

### 1. Ordinary Temperature Life Test

The part shall be subjected to 96 hours at  $25 \pm 10^{\circ}\text{C}$ . Input rated voltage Resonant frequency, 1/2 duty Square wave.

### 2. High Temperature Test

The part shall be capable of with standing a storage temperature of  $+85^{\circ}\text{C}$  for 96 hours.

### 3. Low Temperature Test

The part shall be capable of with standing a storage temperature of  $-30^{\circ}\text{C}$  for 96 hours.

### 4. Humidity Test

Temperature:  $+40^{\circ}\text{C} \pm 3^{\circ}\text{C}$  Relative Humidity: 90%~95% Duration: 48 hours and expose to room temperature for 6 hours

### 5. Temperature Shock Test

Temperature:  $70^{\circ}\text{C}$  /1hour →  $25^{\circ}\text{C}$ /3hours →  $-30^{\circ}\text{C}$ /1hour →  $25^{\circ}\text{C}$ /3hours (1cycle)  
Total cycle: 10 cycles

### 6. Drop Test

Standard Packaging From 120mm(Drop on hard wood or board of 5cm thick, three sides, six plain.)

### 7. Vibration Test

Vibration: 1000cycles /min. Amplitude: 1.5mm, Duration: 1 hour in each 3 axes

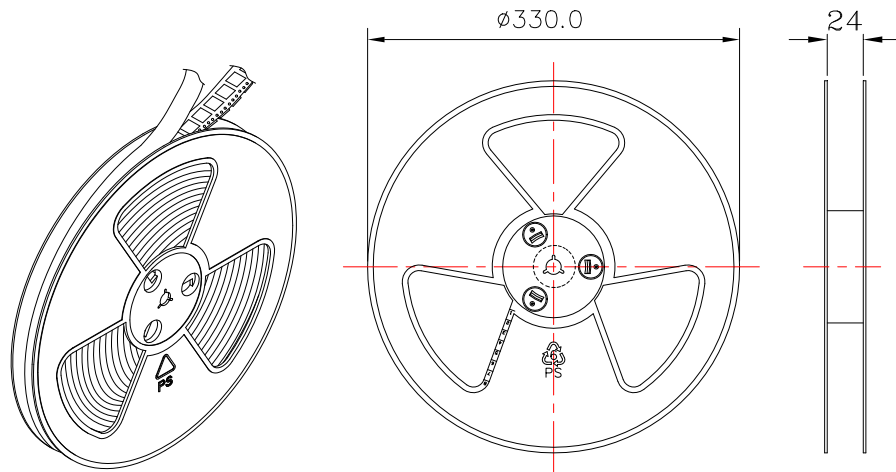
## Measuring condition

Part shall be measured under a condition (Temperature:  $5 \sim 35^{\circ}\text{C}$ , Humidity: 45%~85%R.H., Atmospheric pressure: 860 ~ 1060hPa) unless the standard condition (Temperature:  $25 \pm 3^{\circ}\text{C}$ , Humidity: 60±10%R.H. Atmospheric pressure: 860 ~ 1060hPa) is regulated to measure.

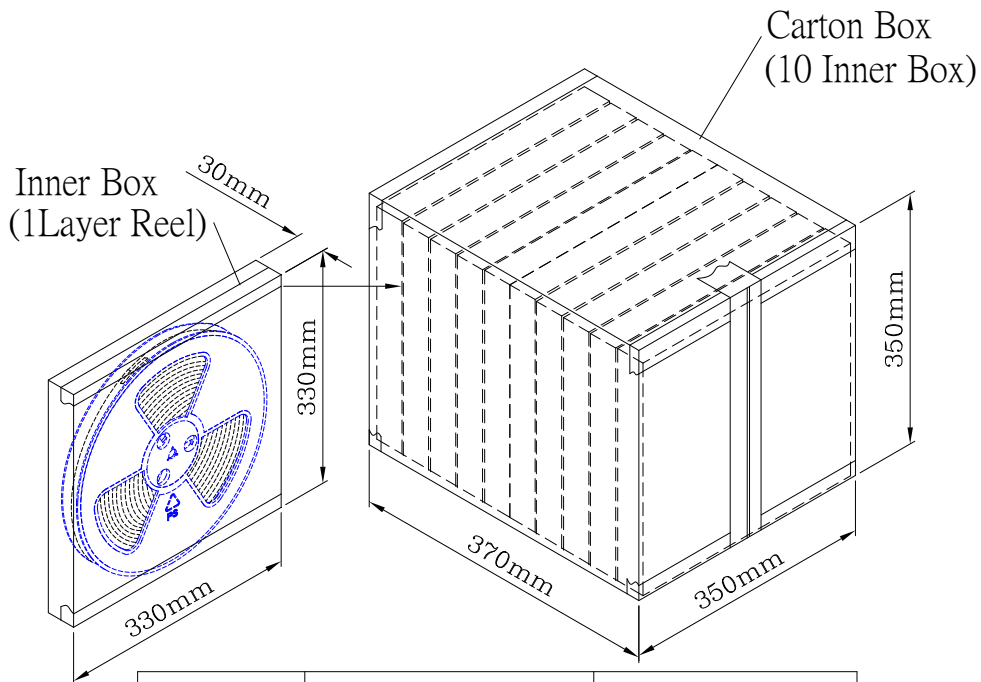
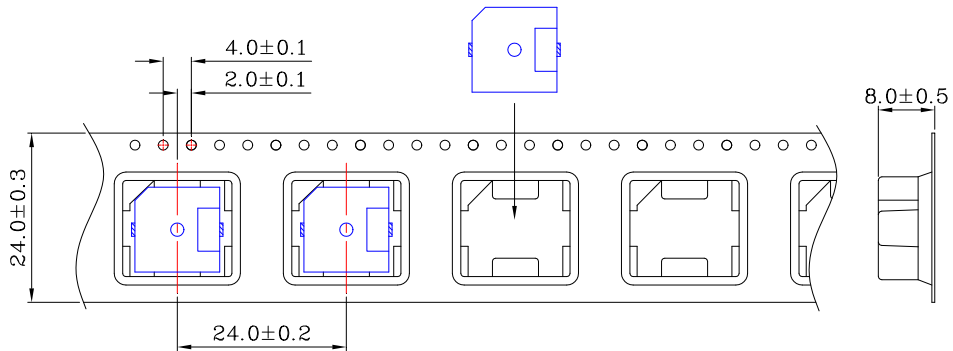
### Note:

As this product is not protected from foreign material entering, please make sure that any foreign materials (e.g. magnetic powder, washing solvent, flux, corrosive gas) do not enter this product in your production processes. The functional degradation (e.g. SPL down) may occur if foreign material enter it.

# H. PACKING STANDARD



1 Reel : 300PCS



|            |                   |                    |
|------------|-------------------|--------------------|
| Inner Box  | 330mmx330mmx30mm  | 1x300PCS=300PCS    |
| Carton Box | 350mmx350mmx370mm | 10x300PCS=3,000PCS |

## X-ON Electronics

Largest Supplier of Electrical and Electronic Components

*Click to view similar products for [Piezo Buzzers & Audio Indicators](#) category:*

*Click to view products by [INGHAI](#) manufacturer:*

Other Similar products are found below :

[PFD-21A29W](#) [PLD-21N30W](#) [REM-6027F-1.5](#) [RH1020C-010-NFP-G-NL](#) [PFD-27N36W](#) [KBS-20DA-7AS](#) [KBS-27DA-5C-105](#)  
[RFS5015382PNL](#) [MSR516NP](#) [DMT-1606S-NL](#) [OMT112](#) [SCE016SD3CM4B](#) [DMT-09-1-4B-NL](#) [HBO0302C-58/1248](#) [AT-3045-TF-LW110-R](#) [SMA-17-S](#) [BMS3650L-LF](#) [SMT-0540-T-7-R](#) [SMT-0540-T-2-R](#) [AT-0927-TT-2-R](#) [AT-2310-T-LW100-R](#) [SMI-1324-TW-5V-4-R-T/R](#)  
[SC0715BL](#) [AI-1027-TWT-5V-R](#) [SC235AF](#) [SMT-0827-TW-5V-R](#) [AT-2830-TWT-R](#) [AT-1220-TT-5-R](#) [AT-1220-TT-10-R](#) [AT-1127-ST-2-R](#)  
[AT-1220-TWT-5V-R](#) [AT-1750-TFL-LW95-R](#) [AI-2437-TWT-R](#) [SMT-1427-S-R](#) [SMT-1127-S-R](#) [AI-3245-TF-LW95-R](#) [AI-2438-TT-R](#)  
[AB2040B](#) [SMI-1324-TW-3V-R](#) [SMT-1324-TW-5V-R](#) [AT-2429-TWT-R](#) [AI-1223-TWT-12V-3-R](#) [AI-1440-TWT-24V-2-R](#) [AB4113B](#) [AI-1223-TWT-5V-4-R](#) [X-4028-P-C32-R](#) [AI-2304-TF-LW120-12V-R](#) [AI-4329-P-SP28-R](#) [XL-5020-TF-LW150-S-R](#) [SMA-30-P17.5](#)