

規格承認書

PECIFICATION FOR APPROVAL

客戶

CUSTOMER : 立創 (0.5-1.0W 通用)

項目

ITEM : 贴片塑壳内磁喇叭

型號

TYPE : GSPK1304S-8R0.5W

描述

DESCRIPTION : 13*13*4.0mm 8ohm 0.5~1.0W S.P.L: 88dB+/- 3dB

客戶料號

CUSTOMER NO. :

規格書號

SPECIFICATION NO.:

版本

EDITION NO. : V1.0

日期

DATE : 2021-10-14

客戶承認

CUSTOMER CONFIRM AND SIGN

檢查 TESTED BY	審核 CHECKED BY	承認 APPROVED BY

東莞市贏海電子有限公司

DONGUAN INGHAIELECTRONICS CO.,LTD

製作 ISSUED BY	審查 CHECKED BY	確認 APPROVED BY
周明	刘承成	

地址: 廣東省東莞市虎門鎮懷德社區雅瑤工業區

電話 / TEL: 0769-83060958 傳真 / FAX: 0769-81608993

網址: [HTTP://WWW.INGHAI.COM](http://www.inghai.com)

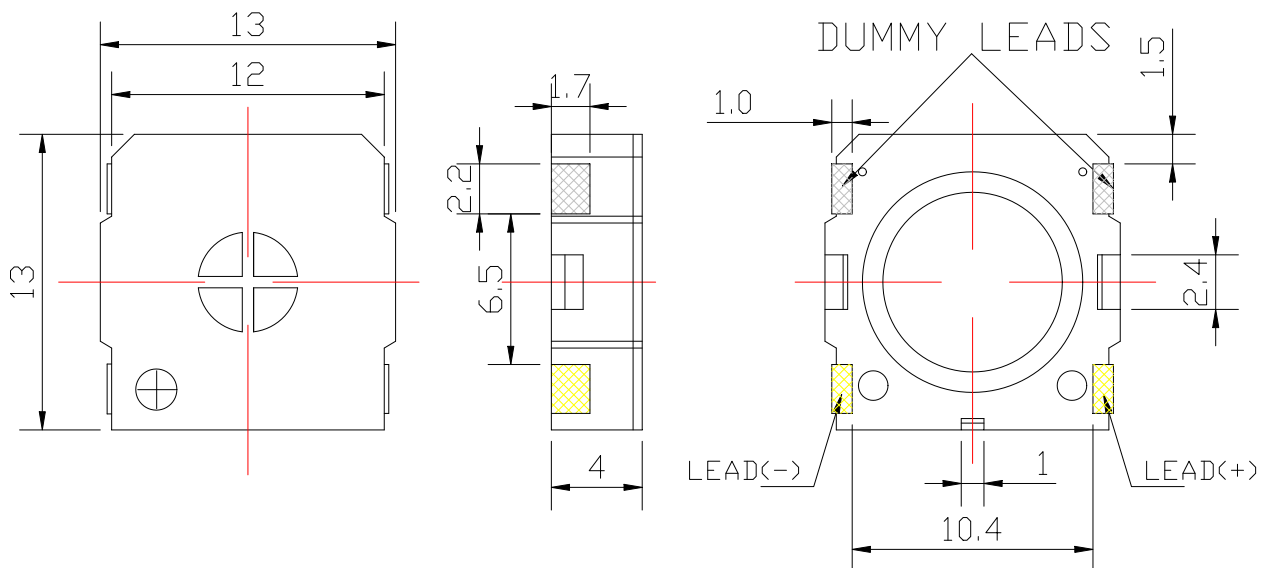
A. SCOPE

This specification applies speaker, **GSPK1304S-8R0.5W**

B. SPECIFICATION

No.	Item	Unit	Specification	Condition
1	Dimension	mm	13 x 13 x H4.0	See appearance drawing
2	Sound Pressure Level	dB	88±3dB	at 1.0,1.6, 2.0, 3.2KHz Average 0dB=20μPa Measurement is as shown in fig (2),Input: 2.0V= 0.5W at 0.1m
3	Power Rating	W	0.5~1.0 MAX. 1.0	
4	Impedance	ohm	8±15%Ω	At 1.0KHz 1.0V
5	Resonance Frequency	Hz	850±20%	At 1.0V
6	Frequency Rang	Hz	Fo~20K	Output S.P.L. ±10dB
7	Buzze & Rattle			Must be free audible noise, From Fo~20K Hz frequency range, Input: 2.0V 0.5W
8	Distortion	%	20% Max.	At 1kHz, 0.5W
9	Housing Material		LCP(Black) PIN(Plating Au)	
10	Leading Pin		SMD Type	
11	Weight (MAX)	gram	1.1	
12	Operating Temperature	°C	-40~ +85	
13	Storage Temperature	°C	-50 ~ +95	
14	Environmental Protection Regulation		RoHS	

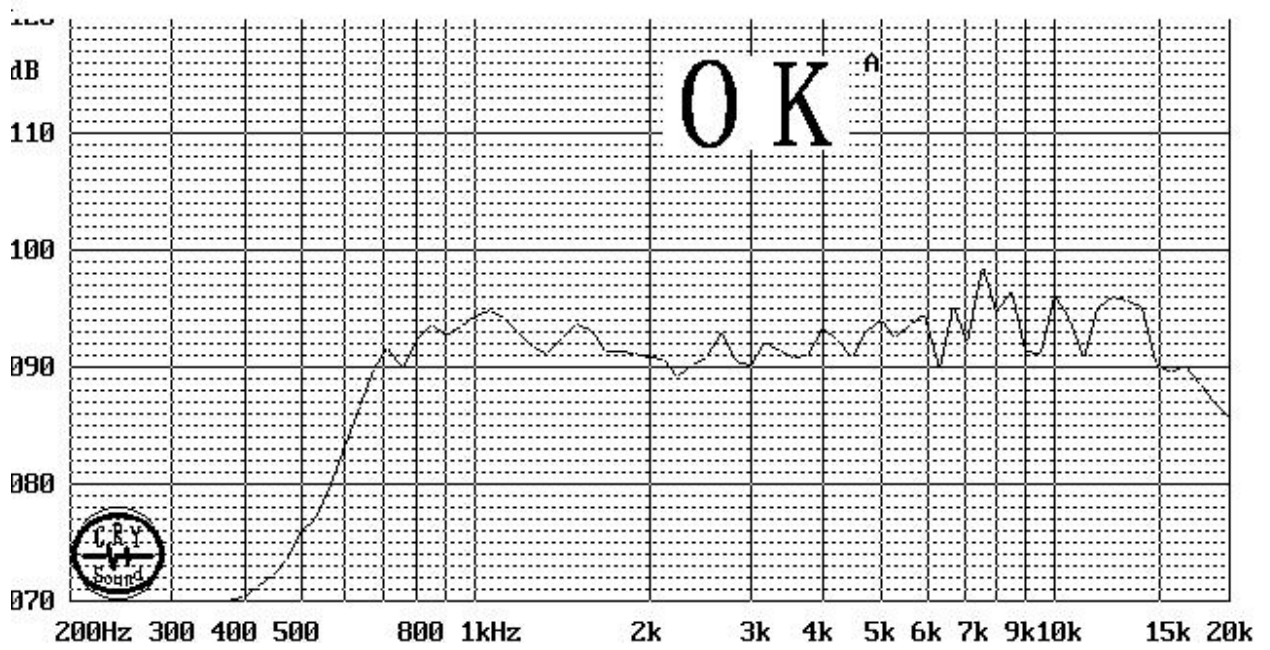
C. APPEARANCE DRAWING



Tol : ± 0.5

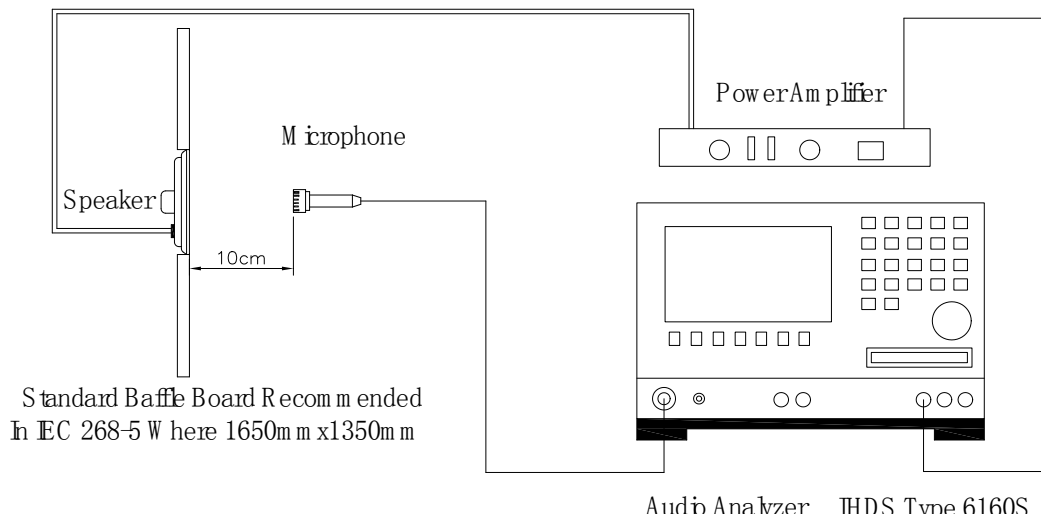
Unit: mm

D. Frequency Response



E. Electrical And Acoustical Measuring Condition

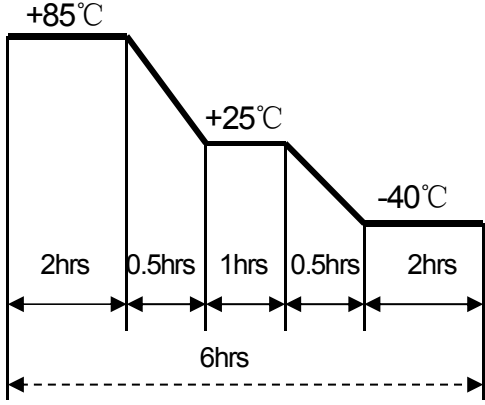
Standard test condition of speaker



F. RELIABILITY TEST

No.	Item	Test condition	Evaluation standard
1	Solderability (Spring Contact excepted)	Lead terminals are immersed in rosin for 5 seconds and then immersed in solder bath of $+270\pm 5^{\circ}\text{C}$ for 3 ± 1 seconds.	90% min. lead terminals shall be wet with solder. (Except the edge of terminal)
2	Soldering Heat Resistance (Spring Contact excepted)	Lead terminal are immersed up to 1.5mm from sounder's body in solder bath of $+260\pm 5^{\circ}\text{C}$ for 3 ± 1 seconds.	No interference in operation
3	Terminal Pull Strength	(1) Spring Contact: Applied 3N (0.306kg) load to the Spring Contact for 30 sec. (2) Terminal : Applied 9.8N (1.0kg) load to the Terminal for 30 sec.	No damage and cutting off
4	Vibration Test	Speaker shall be measured after being applied vibration of amplitude of 1.5mm with 10 to 55Hz band of vibration frequency to each of 3 per-pendicular directions for 2 hours.	
5	Drop Test	Drop the speakers contained in normal box onto the board 40mm thick 10 times from the height of 75cm	

G. ENVIRONMENTAL TEST

No.	Item	Test conditions	Evaluation standard
1	High temp. Test	After being placed in a chamber at +85°C for 240 hours	Being placed for 6 hours at +25°C, speaker shall be measured. No obstacle to be harmful to normal operation; damages, cracks, rusts, etc. Should not be audible at 2.0V sine wave between Fo~20KHz. Fo should meet initial one. S.P.L. deviation of unit should be within ±3dB
2	Low temp. Test	After being placed in a chamber at -40°C for 240 hours.	
3	Humidity test	After being placed in a chamber at +40°C and 95±5%RH relative humidity for 240 hours.	
4	Temp. cycle test	The part shall be subjected to 5 cycles. One cycle shall be consist of: 	

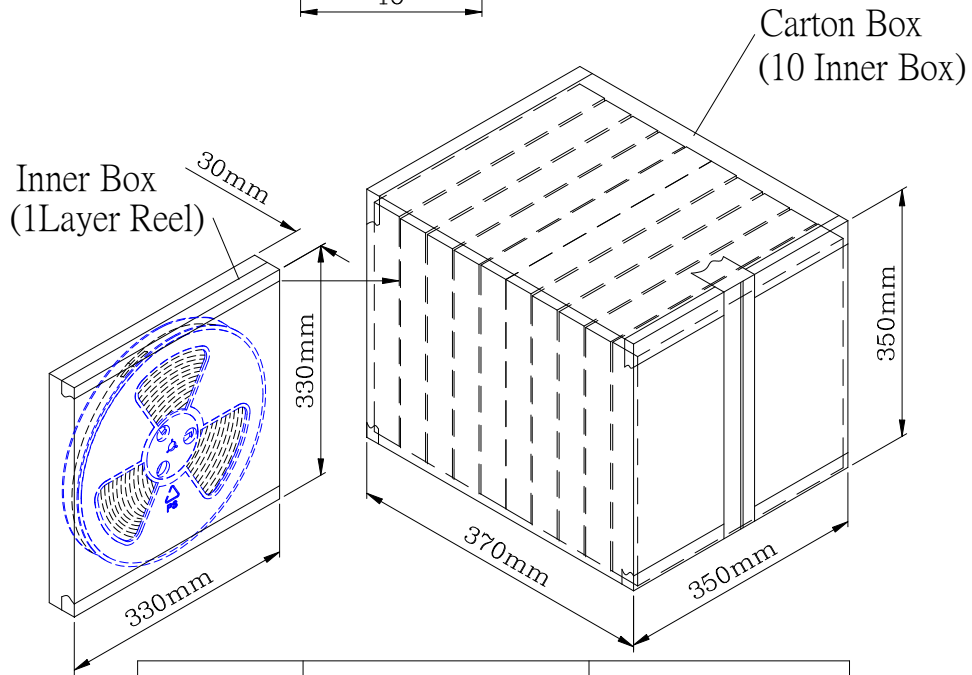
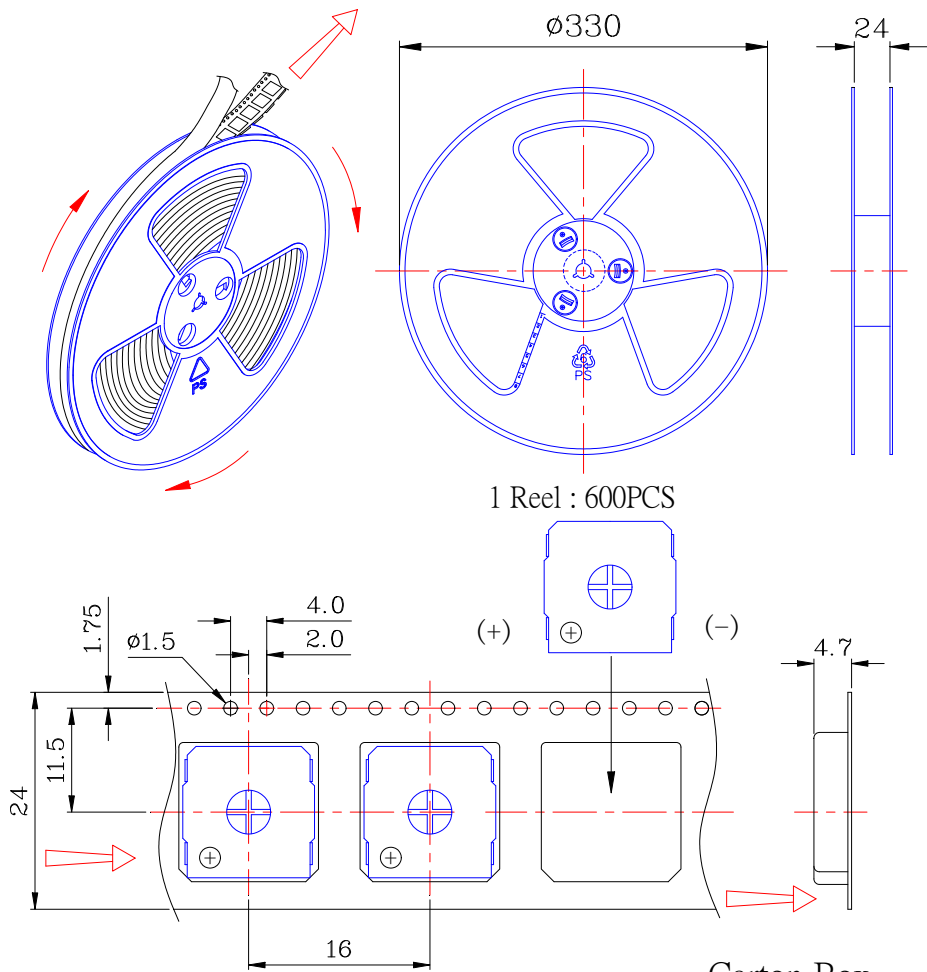
H. RELIABILITY TEST

No.	Item	Test conditions	Evaluation standard
1	Load test	0.5W white noise is applied for 24 hours, at room temp.	Being placed for 1 hours at +25°C, receiver shall be measured. No obstacle to be harmful to normal operation; damages, cracks, rusts, etc. Should not be audible at 2.0V sine wave between Fo~20KHz. S.P.L. deviation of unit should be within ±3dB

TEST CONDITION.

Standard Test Condition	:	a) Temperature : +5 ~ +35°C	b) Humidity : 45-85%	c) Pressure : 860-1060mbar
一般测试条件	:	a) 温度 : +5 ~ +35°C	b) 湿度 : 45-85%	c) 气压 : 860-1060mbar
Judgment Test Condition	:	a) Temperature : +25 ± 2°C	b) Humidity : 60-70%	c) Pressure : 860-1060mbar
争议时测试条件	:	a) 温度 : +25 ± 2°C	b) 湿度 : 60-70%	c) 气压 : 860-1060mbar

I. PACKING STANDARD



Inner Box	330mmx330mmx30mm	1x600PCS=600PCS
Carton Box	350mmx350mmx370mm	10x600PCS=6,000PCS

X-ON Electronics

Largest Supplier of Electrical and Electronic Components

Click to view similar products for [Speakers & Transducers](#) category:

Click to view products by [INGHAI](#) manufacturer:

Other Similar products are found below :

[FC-30814-P127](#) [AS02832MR-2-R](#) [PB-1220PE](#) [PB-2015PQ](#) [SWFK-31736-000](#) [PT-2065FW](#) [PT-4175W](#) [PB-0927PQ](#) [BF-9778-000](#) [MBS](#)
[3000-1811-A1AB08-0](#) [SMS2020-08H4.5 LF](#) [BDT1717-08H6.5W56MLF](#) [AS03608MR-LW100-R](#) [SP570445-4](#) [FS7033NB0830-H15.5-R01](#)
[FS7833NB0830-H19.0-R01](#) [FS77DS0850-H24-R01](#) [GSPK5010TN-4R2W](#) [GSPK5010TN-4R3W](#) [KLJ-1504R8W0.5-L44](#) [FS66W04100-H31](#)
[FS45DS0880-H24.8-R02](#) [FS32NS0820-H5.8-R01](#) [FS3520NS0820-H7.9-P1.25-L60](#) [FS50DS0430-H13.3-R24](#) [FS3411P08-H4.0](#) [FS26NS0820-](#)
[H4.9-R01](#) [FS14430NB0880-H30-R01](#) [FS5835DS0850-H19.4-R01](#) [FS2011NB0807-H3.9-R01](#) [FS28DS0820-H9.4-R01](#) [FS40DS0830-H11.2-](#)
[P2.0-L100](#) [FS28DS0830-H15.3](#) [FS3525NS0820-H5.5-R01](#) [FS5035NB0820-H26.8-R01](#) [FS3915NB0808-H11.5-R01](#) [FS3020NB0808-H4.0-](#)
[R01](#) [FS3616NB0808-H10-R01](#) [FS3514NB0808-H6.0-R01](#) [FS40DS0450-H18.3](#) [FS3411P04-H4.0](#) [FS50DS0830-H12.7 PEI](#) [FS7033NB0430-](#)
[H15.5-R01](#) [FS3020NB0805-H4.1-R01](#) [FS4020NB0410-H6.6-R01](#) [FS4020NB0820-H8.5-R01](#) [FS23DS0420-H10.2-P1.25-L60](#) [FS50DS0830-](#)
[H13.3-R24](#) [FS66DS0850-H16.2-R01](#) [FS3511NB0808-H5.2-R01](#)