

規格承認書

PECIFICATION FOR APPROVAL

客戶
CUSTOMER : 立創
項目
ITEM : 方形喇叭
型號
TYPE : GSPK1609035TN-7R0.8W-L100
描述
DESCRIPTION : L16 *W 9*H3.5mm 1M 7R 0.8w 平板內磁 UL1571/30#L100mm
客戶料號
CUSTOMER NO. :
規格書號
SPECIFICATION NO. :
版本
EDITION NO. : V1.1
日期
DATE : 2020-7-30

客戶承認

CUSTOMER CONFIRM AND SIGN

檢查 TESTED BY	審核 CHECKED BY	承認 APPROVED BY

東莞市贏海電子有限公司

DONGUAN INGHAI ELECTRONICS CO.,LTD

製作 ISSUED BY	審查 CHECKED BY	確認 APPROVED BY
刘菠	刘承成	

地址：东莞市长安镇新岗社区新岗路 41 号华茂大厦 15 楼
電話 / TEL: 0769-83060958 傳真 / FAX: 0769-81608993
網址: [HTTP://WWW.INGHAI.COM](http://www.inghai.com)

SPECIFICATION		MODEL NO.	GSPK1609035TN-7R0.8W-L100	Total Page 1
ISSUED DATE	2020-7-30	SPEC. NO.		

1. SCOPE

THIS SPECIFICATION IS APPLIED TO THE DYNAMIC RECEIVER/SPEAKER WHICH IS USED IN CELLULAR PORTABLE PRODUCT.

2. GENERAL SPECIFICATIONS

ANALYSIS ITEMS	SPECIFICATIONS
1. TYPE	Dynamic speaker
2. OUT SIDE SIZE	16.0 * 9.0 * 3.5 mm , Shown Fig.3
3. IMPEDANCE	7 Ω ± 20% at 1 KHz 2.0Vms Sine Wave
4. RESONANCE FREQUENCY	800 ± 20% Hz at 1.0V Sine wave
5. SENSITIVITY (S.P.L.)	88dB ± 3dB at 0.5w/ 0.1m / 0.5.0.6.0.8.1.0 × 100Hz average
6. RATED / MAX. POWER	0.5W / 0.7W/
7. FREQUENCY RANGE	fo ~ 20kHz
8. DISTORTION	Less than 10 % at 1000Hz 0.5 W
9. UNIT WEIGHT	3.0g ± 0.1g
10. MEASURING DIAGRAM	Shown in Fig.1
11. FREQUENCY RESPONSE	Shown in Fig.2
12. OPERATING TEMPERATURE	- 30°C ~ +65°C
13. STORAGE TEMPERATURE	- 40°C ~ +65°C
14. OPERATION TEST	No one should perceive noise of sine wave 2.0V of 0.35kHz ~ 20kHz .

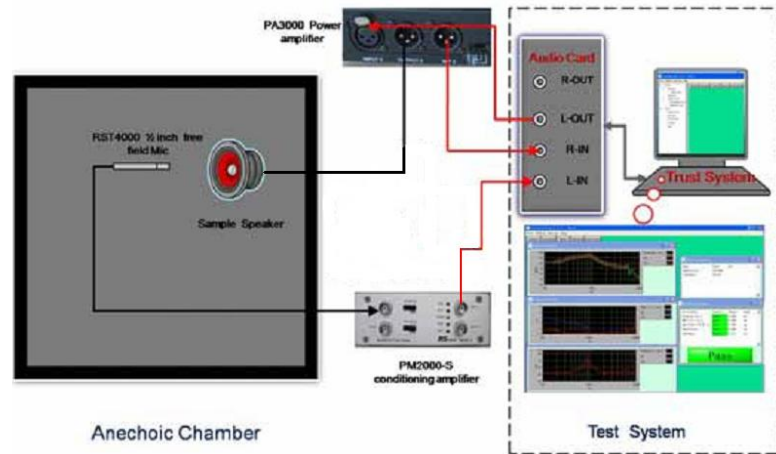
NO.	DATE	DUE TO	REVISION	SIGNATURE

3. ENVIRONMENTAL CHARACTERISTICS

RESULTS OF AFTER TEST	Sensitivity difference shall be within (3dB) and should satisfy the test described under item 14 after each following test.
1. APPEARANCE	Should not exist any obstacle to be harmful to normal operation : damages \ cracks \ rusts and distortions etc.
3. POLARITY	When positive voltage is applied to the terminal marked (+), diaphragm should move to the front.
4. LOAD TEST	0.5 W white noise is applied for 96 hours and satisfy the test listed on item 05,08,14.
5. HIGH TEMPERATURE DURABILITY	After having been in a test chamber for 96 hours at the condition of $+65^{\circ}\text{C} \pm 5^{\circ}\text{C}$ and then let 2 hours in a room .
6. COLD TEMPERATURE DURABILITY	After having been in a test chamber for 96 hours at the condition of $-40^{\circ}\text{C} \pm 5^{\circ}\text{C}$ and then let 2 hours in a room .
7. HUMIDITY DURABILITY	After having been in a test chamber for 96 hours at the condition of $+40^{\circ}\text{C} \pm 5^{\circ}\text{C}$ 90%~96% RH and then let 2 hours in a room .
8. TEMPERATURE CYCLE DURABILITY	Low temperature $-40^{\circ}\text{C} \pm 2^{\circ}\text{C}$ (2 hour) / high temperature $+65 \pm 2^{\circ}\text{C}$ (2 hour) : 1 cycle , total 10 cycles and then let 2 hours in a room .
9. VIBRATION DURABILITY	Frequency Range:10Hz ~ 500Hz Amplitude : 0.35mm or acceleration : 50m/s^2 Duration : 2h per axis=10 cycles ; 3 axis
10. DROP TEST	The speaker unit shall stand 10 random drops from a height of 1 meter to a concrete floor faced with 5m/m thick hard wood board and be nothing mechanical damage.
11. PACKING STRENGTH	As per packing condition, from height of 1 meter, the unit is to be dropped 1 time each in three planes on concrete floor.

NO.	DATE	DUE TO	REVISION	SIGNATURE

4. STANDARD TEST CONDITION OF SPEAKER (Fig.1)



EAKER MODE) (Fig.2)

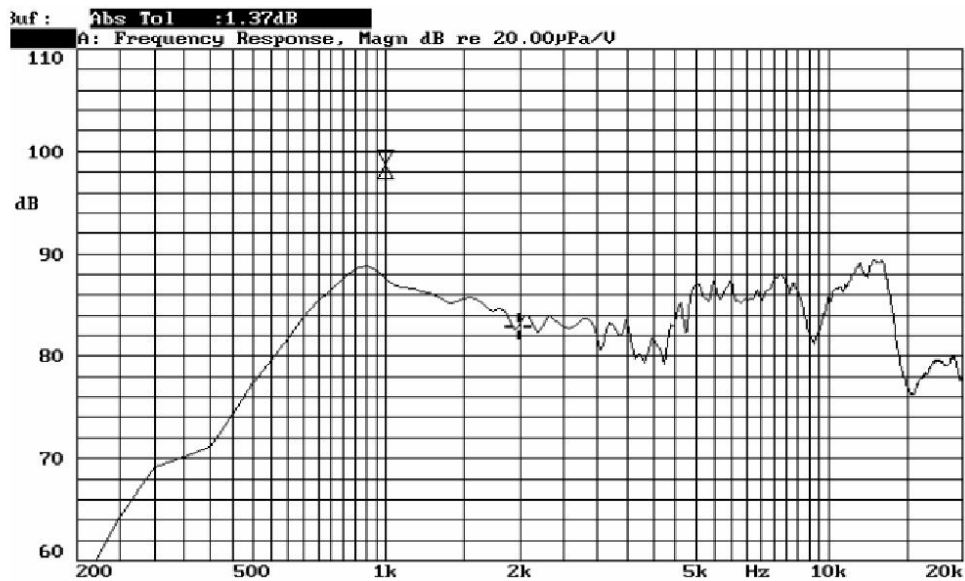
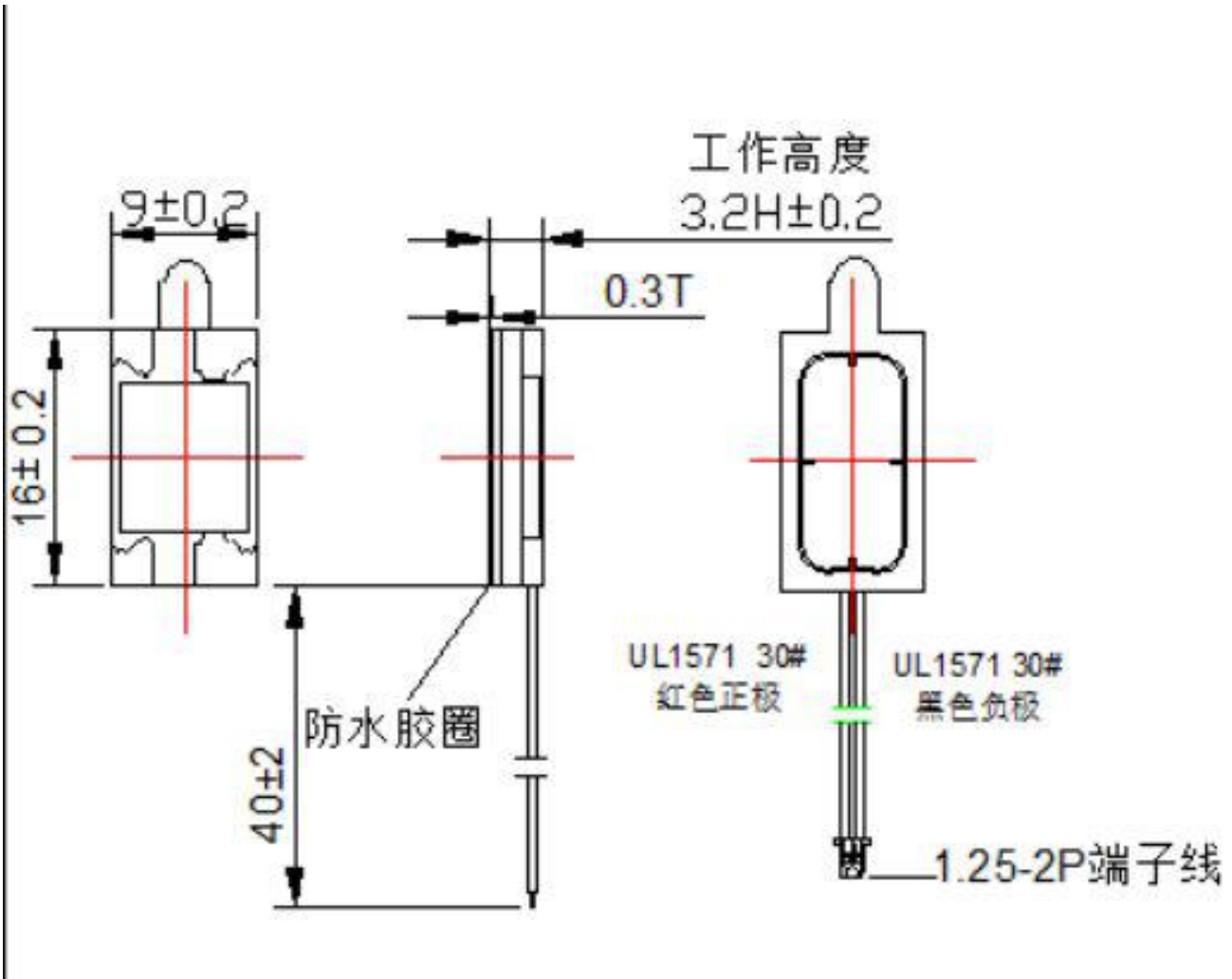


Fig 2. Typical frequency response curve and mask

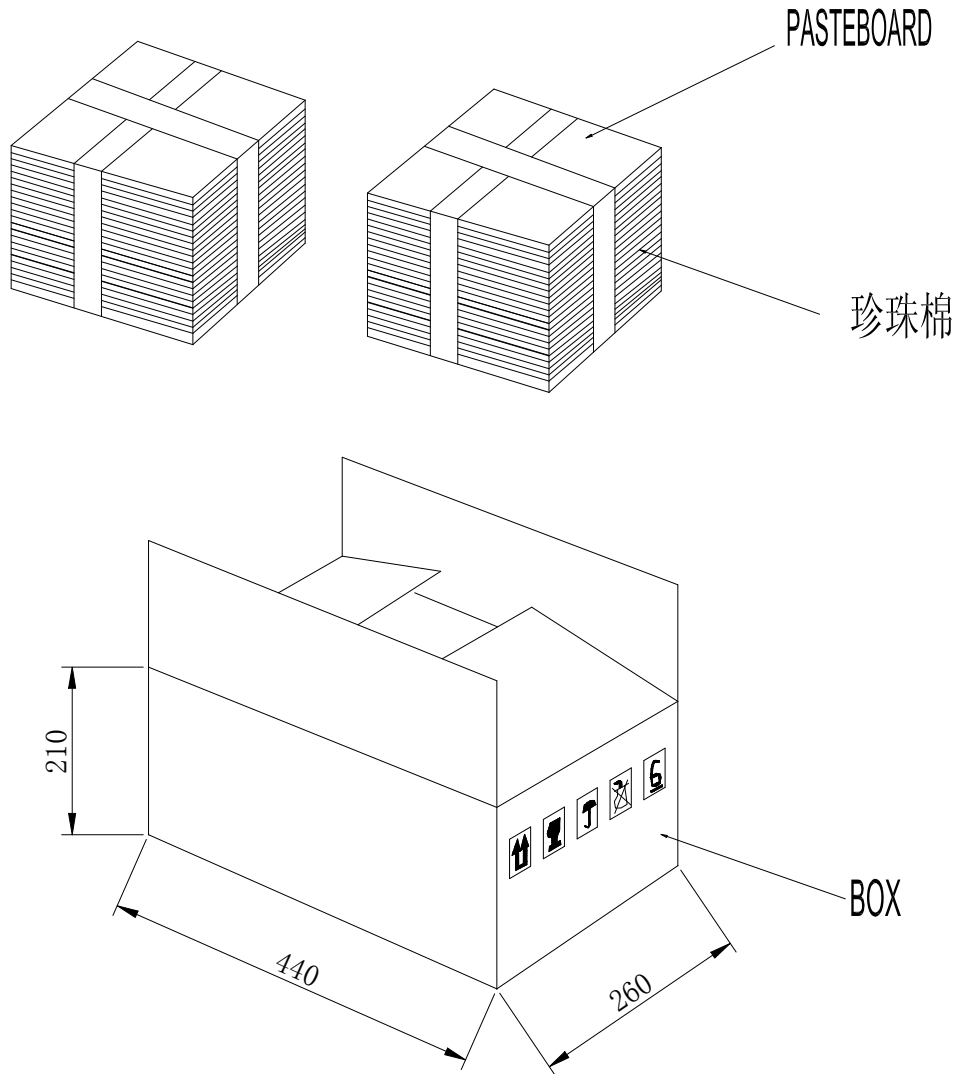
NO.	DATE	DUE TO	REVISION	SIGNATURE
-----	------	--------	----------	-----------

4. ASSEMBLY DIMENSIONS (Fig.3)



NO.	DATE	DUE TO	REVISION	SIGNATURE

4.PACKING (Fig.4)



IIT:MM

NOTES:

1. 100 PCS PER TRAY PE PAN.
2. 2000 PCS PER CARTONS.
3. 2 CARTONS PER BOX.
4. 2000 PCS PER BOX.

NO.	DATE	DUE TO	REVISION	SIGNATURE
-----	------	--------	----------	-----------

X-ON Electronics

Largest Supplier of Electrical and Electronic Components

Click to view similar products for [Speakers & Transducers](#) category:

Click to view products by [INGHAI](#) manufacturer:

Other Similar products are found below :

[AS02016MR-2-R](#) [PB-1220PE](#) [PB-2015PQ](#) [900-00001](#) [SMT-2240-TW-2-R](#) [SWFK-31736-000](#) [PT-2065FW](#) [PT-4175W](#) [AT-2830-TW-LW35-R](#) [ED-30761-000](#) [ED-31305-163](#) [CI-30120-A42](#) [TWFK-23991-000](#) [PB-0927PQ](#) [BF-7083-000](#) [AB6505B](#) [AS01708MR-SC-2-R](#) [AT-5030-TF-2-LW100-R](#) [AST-03008MR-R](#) [AS04008PS-4W-R](#) [AS01308MR-2-R](#) [AS01808AO-WP-R](#) [AS01508MR-6-R](#) [AS07108PO-R](#) [AS07708PS-2-WR-R](#) [AS07104PO-R](#) [SMS2020-08H4.5 LF](#) [BDT1717-08H6.5W56MLF](#) [SMS-2008MS-R](#) [AS04008PS-4W-WR-R](#) [AS06608PS-WR-R](#) [BLS50-1-08H18.2B-03 LF](#) [AS03008MR-R](#) [AS04008CO-2-R](#) [AS04008PR-WR-R](#) [ASE03008MR-LW150-R](#) [AS01808MR-LW152-R](#) [AS01808MR-R](#) [AS03608MR-4-R](#) [AS06608PS-R](#) [AS07708PS-2-R](#) [AS07108PO-3-R](#) [ASE06008MR-LW150-R](#) [ASE02008MR-LW150-R](#) [AST-1732MR-R](#) [SMS-1508MS-2-R](#) [AS05708MR-R](#) [AS07004PO-WR-R](#) [AS05008MR-R](#) [APS3008S-R](#)