

# 規格承認書

PECIFICATION FOR APPROVAL

客戶

CUSTOMER :

項目

ITEM : 腔体喇叭 側出音

型號

TYPE : GSPK1915056BOXR-6R0.8W-L50S-1.25T

描述

DESCRIPTION : L19\*W15\*H5.6mm L50mm 6ohm 0.8W S.P.L: 82dB+/- 3dB

客戶料號

CUSTOMER NO. :

規格書號

SPECIFICATION NO.:

版本

EDITION NO. : V1.0

日期

DATE : 2023-9-20

## 客戶承認

### CUSTOMER CONFIRM AND SIGN

檢查 TESTED BY	審核 CHECKED BY	承認 APPROVED BY

## 東莞市贏海電子有限公司

### DONGUAN INGHAI ELECTRONICS CO.,LTD

製作 ISSUED BY	審查 CHECKED BY	確認 APPROVED BY
周明	陈铭	

地址：廣東省東莞市長安鎮廈邊元灶頭工業區 16-6 號

電話 / TEL: 0769-83060958 傳真 / FAX: 0769-81608993

網址: [HTTP://WWW.INGHAI.COM](http://www.inghai.com)

Model No.		Date	2018-12-18	Page No.	1 / 6
-----------	--	------	------------	----------	-------

## 產品規格內容 (SPECIFICATION)

### 1. 使用範圍 (Scope)

此份規格書是針對多媒體產品內，所使用的微型揚聲器單體所提出的報告。

This specification covers our product of miniature speaker unit for multimedia product.

### 2. 标准测试条件 (Test condition)

一般规格试验状态（特殊要求除外）：常温 5~35℃，常湿 45%~85%，气压 860~1060hPa.

判定上有疑问时，试验状态为：温度 20±2℃，相对湿度 60%~70%，气压 860~1060 hPa.

The test conditions unless otherwise specified should be normal temperature 5 to 35 °C, Normal humidity 45 to 85% and normal atmospheric pressure 860 to 1060 hPa, However, if there arises a doubt in judgment, the test conditions shall be as follows:

Temperature 20±2℃

Humidity 60%~70%

Atmosphere 860~1060 hPa

### 3. 電聲特性 (ELECTRO-ACOUSTIC CHARACTERISTICS)

#### 3.1 額定阻抗 (Rated Impedance):

6.0Ω ± 15% (AT 1.6K Hz , 1.0 Vrms)

#### 3.2 額定輸入功率 (Rated Input Power)

0.8 Watt (At 2.53 Vrms white noise 24 Hours)

#### 3.3 最大輸入功率 (Max. Input Power)

1.0 Watt

#### 3.4 最低共振頻率 (Resonant Frequency)

880 Hz ± 20%

#### 3.5 輸出音壓 (Output S.P.L)

82 ± 3dB (1.0 Watt , 0.1 Meter. Average at 1.5K, 2.0K, 2.5K, 3.0K Hz)

#### 3.6 實效頻率範圍 (Frequency Range)

Fo ~ 20KHz (By Output S.P.L. -10dB)

#### 3.7 失真率 (Distortion)

Less than 5% (At 1.6KHz , 2.53 Vrms)

#### 3.8 工作溫度 (Operating Temperature)

-25℃ ~ +50℃

#### 3.9 儲存溫度 (Storage temperature)

-25℃ ~ +55℃

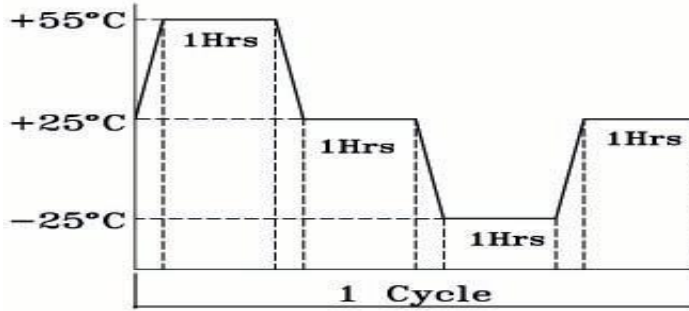
制 定	审 核	核 准	文 件 编 号
Xuan xing xian			

## 產品規格內容 (SPECIFICATION)

<b>Model No.</b>		<b>Date</b>	2018-12-18	<b>Page No.</b>	2 / 6
------------------	--	-------------	------------	-----------------	-------

### 4. 可靠性測試 (Reliability Test)

#### 4.1 高低溫差循環測試(Temperature Cycling Test)



<b>A</b>	<b>Low Temperature (-25°C±3°C)</b>
<b>B</b>	<b>High Temperature (+55°C±3°C)</b>
<b>C</b>	<b>Number of Cycle (3 Cycles)</b>
<b>D</b>	<b>Duration of Exposure 1 Hours, at Each Temperature Extremes</b>
<b>E</b>	<b>Duration of Recovery 1 Hours</b>

#### 4.2 抗濕度試驗(Humidity Test)

<b>A</b>	相對濕度(Relative Humidity)	90-95% at + 40°C ± 3°C
<b>B</b>	測試時間(Durations)	96 Hours
<b>C</b>	恢覆時間(Durations of recovery)	6 Hours

#### 4.3 連續負載測試(Load Test)

White Noise Without Weighted Filter 2.53 Volts.(RMS) 24 Hrs.

#### 4.4 跌落試驗(Drop Test)

75 cm Free Falling On Concrete Floor, 10 Times.

#### 4.5 異常音測試(Buzzes & Rattles)

Sine wave between at 2.53 Vrms / 50~5000Hz

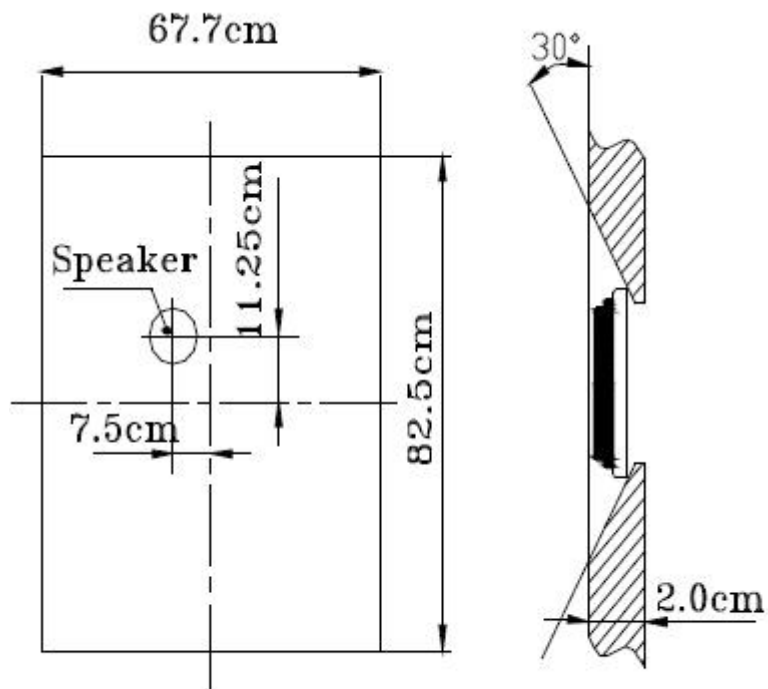
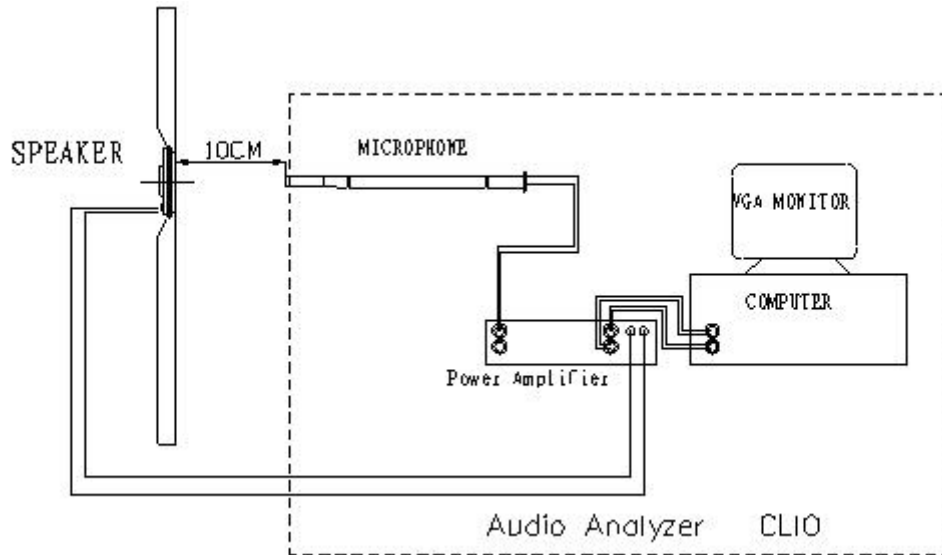
#### 4.6 極性測試(Polarity test)

Diaphragm Shall Move Forward When Apply a Positive DC. Current to the “+”or “Marked” Terminal.

# 產品規格內容 (SPECIFICATION)

Model No.	Date	2018-12-18	Page No.	3 / 6
-----------	------	------------	----------	-------

## 5.測量方式 (Measurement Method)



# 產品規格內容 (SPECIFICATION)

Model No.

Date

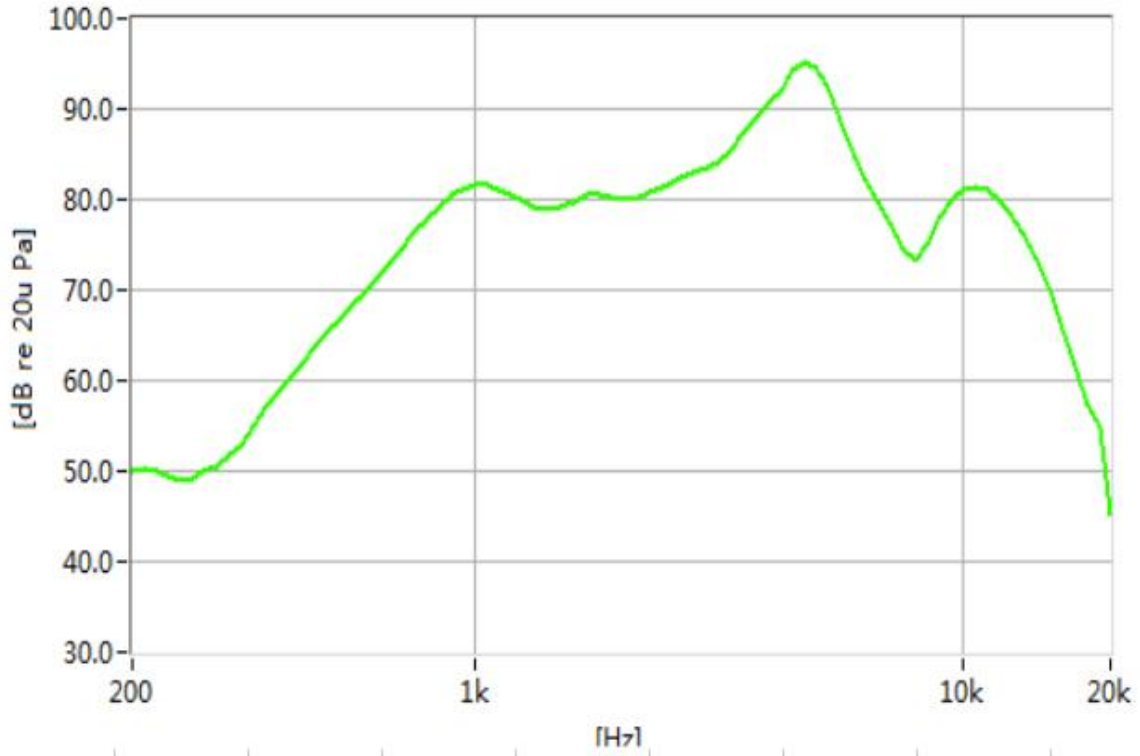
2018-12-18

Page No.

4/6

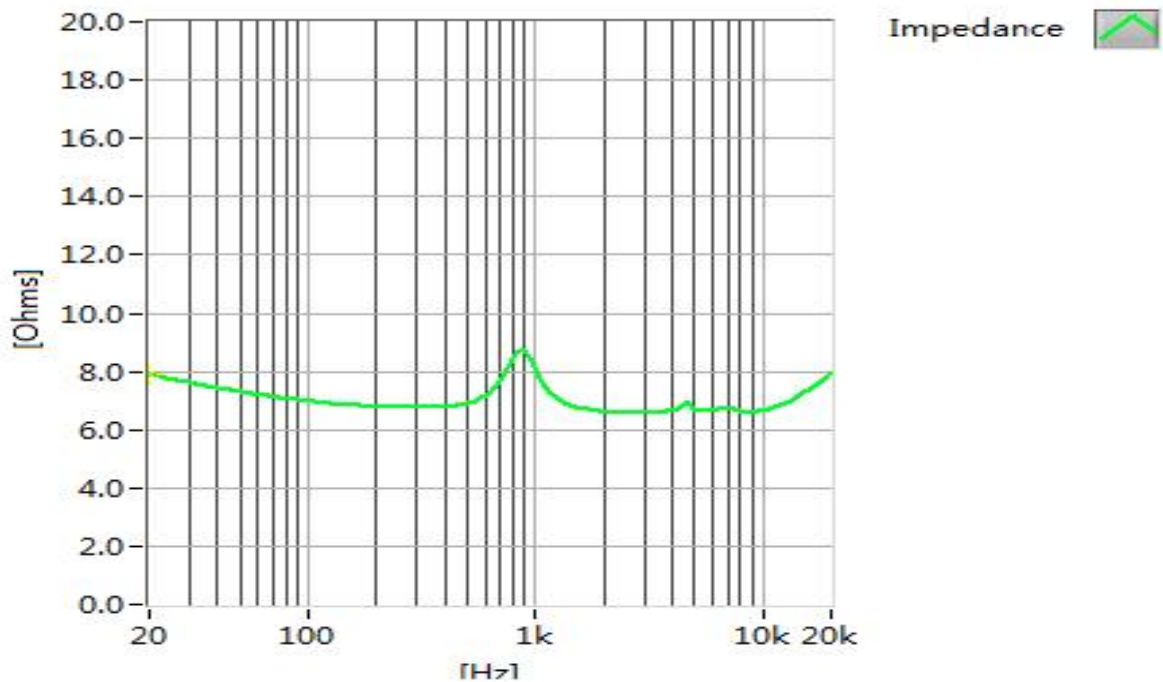
## 6. 頻率響應曲線圖(Frequency Response Curve)

頻响



## 7. 阻抗曲線圖(Impedance Curve)

阻抗

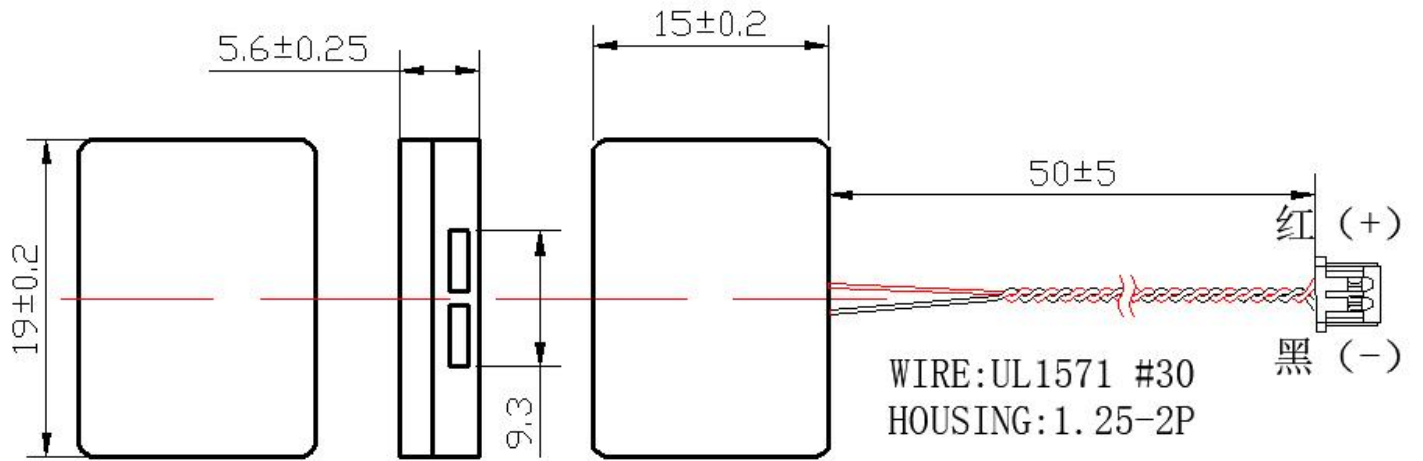


# 產品規格內容 (SPECIFICATION)

Model No.		Date	2018-12-18	Page No.	5 / 6
-----------	--	------	------------	----------	-------

## 8. 喇叭外觀描述

(Unit:mm tolerance:±0.3)



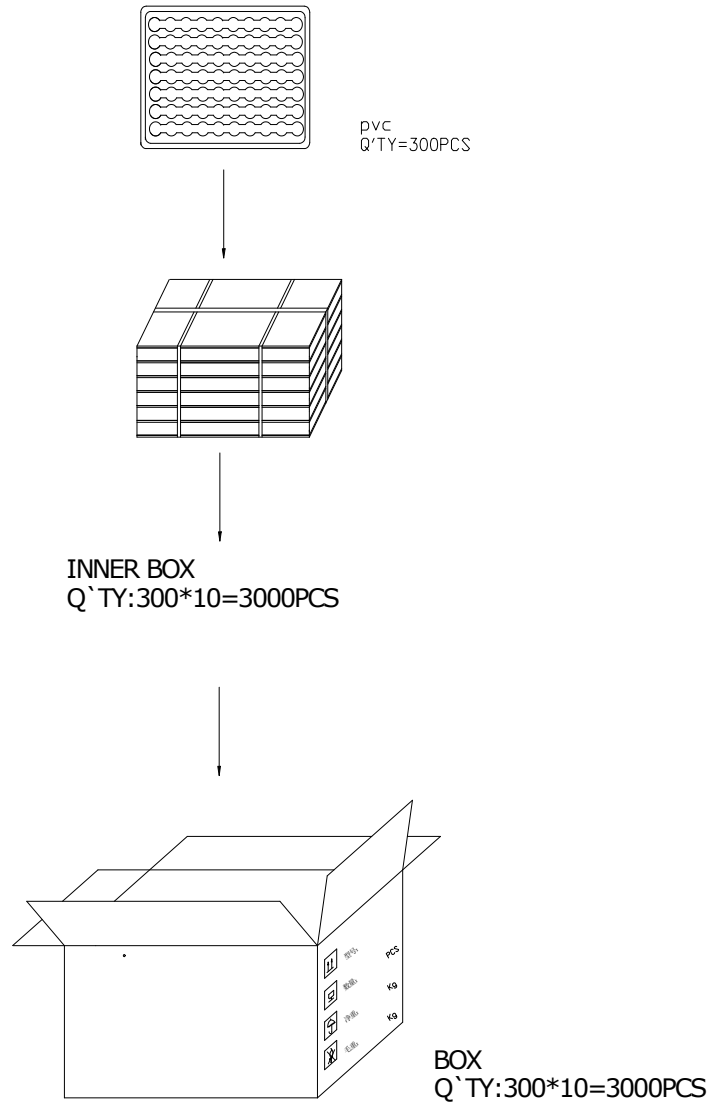
# 產品規格內容 (SPECIFICATION)

Model No.	Date	2018-12-18	Page No.	6/6
-----------	------	------------	----------	-----

## 10. 包裝示意圖(Packing Standard):

(Unit:cm tolerance:±3)

按客户要求包装



## X-ON Electronics

Largest Supplier of Electrical and Electronic Components

*Click to view similar products for [Speakers & Transducers](#) category:*

*Click to view products by [INGHAI](#) manufacturer:*

Other Similar products are found below :

[FC-30814-P127](#) [AS02832MR-2-R](#) [PB-1220PE](#) [PB-2015PQ](#) [SWFK-31736-000](#) [PT-2065FW](#) [PT-4175W](#) [PB-0927PQ](#) [BF-9778-000](#) [MBS](#)  
[3000-1811-A1AB08-0](#) [SMS2020-08H4.5](#) [LF](#) [BDT1717-08H6.5W56MLF](#) [AS03608MR-LW100-R](#) [SP570445-4](#) [FS7033NB0830-H15.5-R01](#)  
[FS7833NB0830-H19.0-R01](#) [FS77DS0850-H24-R01](#) [GSPK5010TN-4R2W](#) [GSPK5010TN-4R3W](#) [KLJ-1504R8W0.5-L44](#) [FS7423NB0430-](#)  
[H10.0](#) [FS66W04100-H31](#) [FS45DS0880-H24.8-R02](#) [FS32NS0820-H5.8-R01](#) [FS2112NB0807-H7.0-R01](#) [FS3520NS0820-H7.9-P1.25-L60](#)  
[FS50DS0430-H13.3-R24](#) [FS3411P08-H4.0](#) [FS26NS0820-H4.9-R01](#) [FS14430NB0880-H30-R01](#) [FS5835DS0850-H19.4-R01](#) [FS2011NB0807-](#)  
[H3.9-R01](#) [FS28DS0820-H9.4-R01](#) [FS40DS0830-H11.2-P2.0-L100](#) [FS28DS0830-H15.3](#) [FS3525NS0820-H5.5-R01](#) [FS5035NB0820-H26.8-](#)  
[R01](#) [FS3915NB0808-H11.5-R01](#) [FS3020NB0808-H4.0-R01](#) [FS3616NB0808-H10-R01](#) [FS3514NB0808-H6.0-R01](#) [FS40DS0450-H18.3](#)  
[FS3411P04-H4.0](#) [FS50DS0830-H12.7](#) [PEI](#) [FS7033NB0430-H15.5-R01](#) [FS3020NB0805-H4.1-R01](#) [FS4020NB0410-H6.6-R01](#)  
[FS4020NB0820-H8.5-R01](#) [FS23DS0420-H10.2-P1.25-L60](#) [FS50DS0830-H13.3-R24](#)