

# 規格承認書

PECIFICATION FOR APPROVAL

客戶  
CUSTOMER : 立創  
項目  
ITEM : 塑壳內磁喇叭  
型號  
TYPE : GSPK25042PN-8R0.5W-L100  
描述  
DESCRIPTION : 25.x 4.2MM 单磁 8Ω 0.5W UL1571/30# L100mm S.P.L: 88+/- 3dB  
客戶料號  
CUSTOMER NO. :  
規格書號  
SPECIFICATION NO. :  
版本  
EDITION NO. : V1.0  
日期  
DATE : 2022-6-13

## 客戶承認

### CUSTOMER CONFIRM AND SIGN

檢查 TESTED BY	審核 CHECKED BY	承認 APPROVED BY

## 東莞市贏海電子有限公司

### DONGUAN INGHAI ELECTRONICS CO.,LTD

製作 ISSUED BY	審核 CHECKED BY	確認 APPROVED BY
周明	刘承成	

地址：廣東省東莞市長安鎮上沙第五工业区新春 1 路新春科技园

電話 / TEL: 0769-83060958 傳真 / FAX: 0769-81608993

網址: [HTTP://WWW.INGHAI.COM](http://www.inghai.com)

<h1>SPECIFICATIONS</h1>		4-1
TYPE NO.	GSPK25042PN-8R0.5W-L100	

**1.PRODUCT OUTLINE**

1-1 SCOPE	This specification is a typical speaker unit for telephone hand set
1-2 DIMENSIONS	As shown in fig (1)
1-3 NET WEIGHT	APPROX. 1.2 grams
1-4 OPERATING TEMPERATURE	-30°C to +70°C
1-5 STORAGE TEMPERATURE	-40°C to +85°C

**2. ELECTROACOUSTIC CHARACTERISTICS**

2-1 TEST SET UP	Measuring conditions and procedures shown in fig(2)
2-2 IMPEDANCE	$8\Omega \pm 15\%$ ohm ( at 2 KHz, 0.9Vrms )
2-3 SOUND PRESSURE LEVEL	88dB $\pm 3$ dB SPL /0.25W/10mm at 800、1000、1500、2000Hz .AVE
2-4 FREQUENCY RESPONSE	$850 \pm 20\%$ HZ
2-5 INPUT POWER (NOM. /MAX. )	0.5W
2-6 AUDIBLE NOISE	Must be free audible noise (buzzes and rattles) (350 ~ 10KHz frequency range , input level up to 2.5Vrms)
2-7 DISTORTION	Less than 10% at 1KHz 0.1W

C H A N G E S						
	NO.	DATE	BEFORE	AFTER	REASON OF CHANGE	SIGN.

# SPECIFICATIONS

4-2

TYPE NO.

GSPK25042PN-8R1W-L30-1.25T

### 3.RELIABLE TEST

3-1 GENERAL

After any following tests the response at 1 KHz shall not deviate more than  $\pm 3$  dB from the initial value

3-2 LOAD TEST

Input power:0.8 W ,white noise 48 hours

3-3 HUMIDITY TEST

Temperature:  $+40^{\circ}\text{C} \pm 2^{\circ}\text{C}$       Relative Humidity: 90%~95%  
Duration: 48hours      (recovery 6 hours)

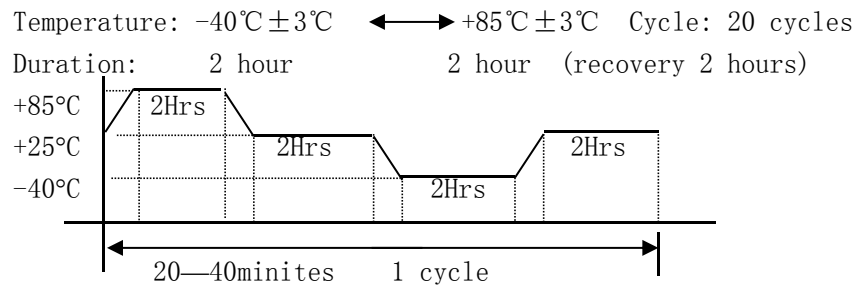
3-4 DROP TEST

Height: 1.0M  
Cycle: 10cycles

3-5 VIBRATION TEST

Frequency: 10-55Hz. Amplitude: 1.5mm  
Duration: 2 hours in each 3axes

3-6 TEMPERATURE SHOCK TEST



3-7 HIGH TEMPERATURE TEST

Temperature:  $+85^{\circ}\text{C} \pm 3^{\circ}\text{C}$   
Duration: 48 hours

3-8 LOW TEMPERATURE TEST

Temperature:  $-40^{\circ}\text{C} \pm 3^{\circ}\text{C}$   
Duration: 48 hours

3-9 TERMINAL STRENGTH TEST

Load : 1.0Kg  
Duration: 15sec. (Shall be normal)

CHANGES						
	NO.	DATE	BEFORE	AFTER	REASON OF CHANGE	SIGN.

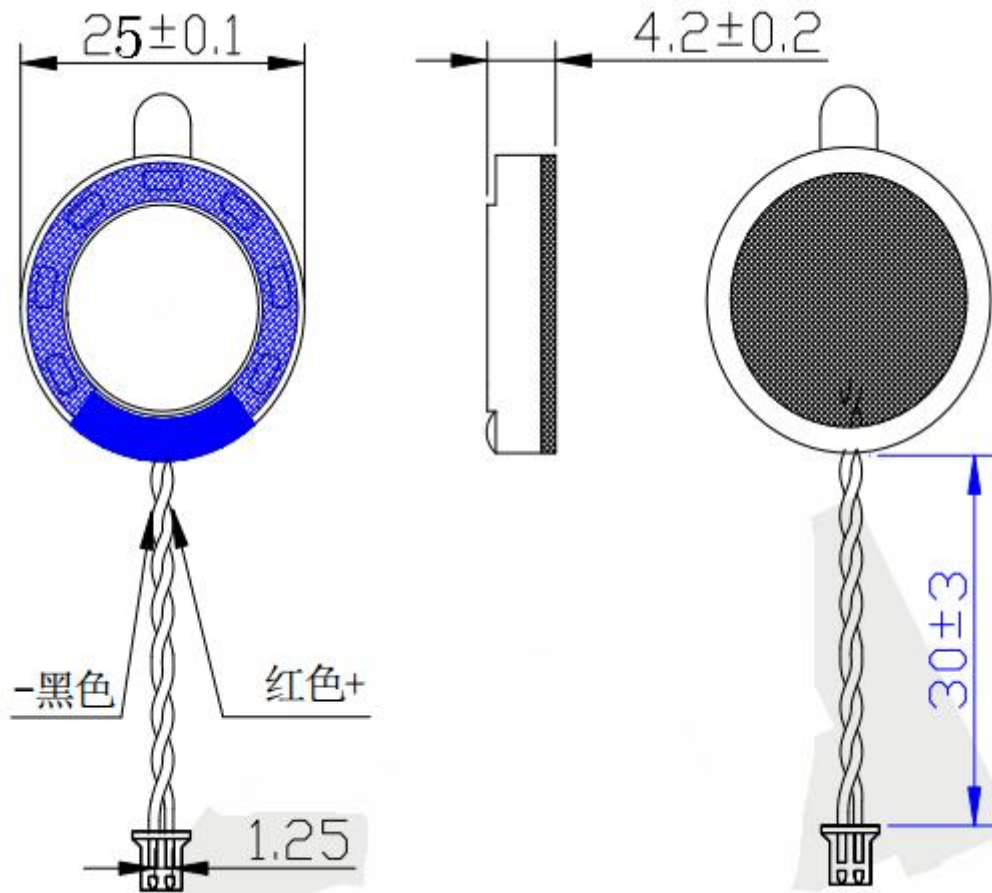
# SPECIFICATIONS

4-3

TYPE NO.

GSPK25042PN-8R0.5W-L30-1.25T

4.DIMENSIONS (fig. 1)      注：线长和端子可以更改定制



单位:mm

C H A N G E S						
	NO.	DATE	BEFORE	AFTER	REASON OF CHANGE	SIGN.

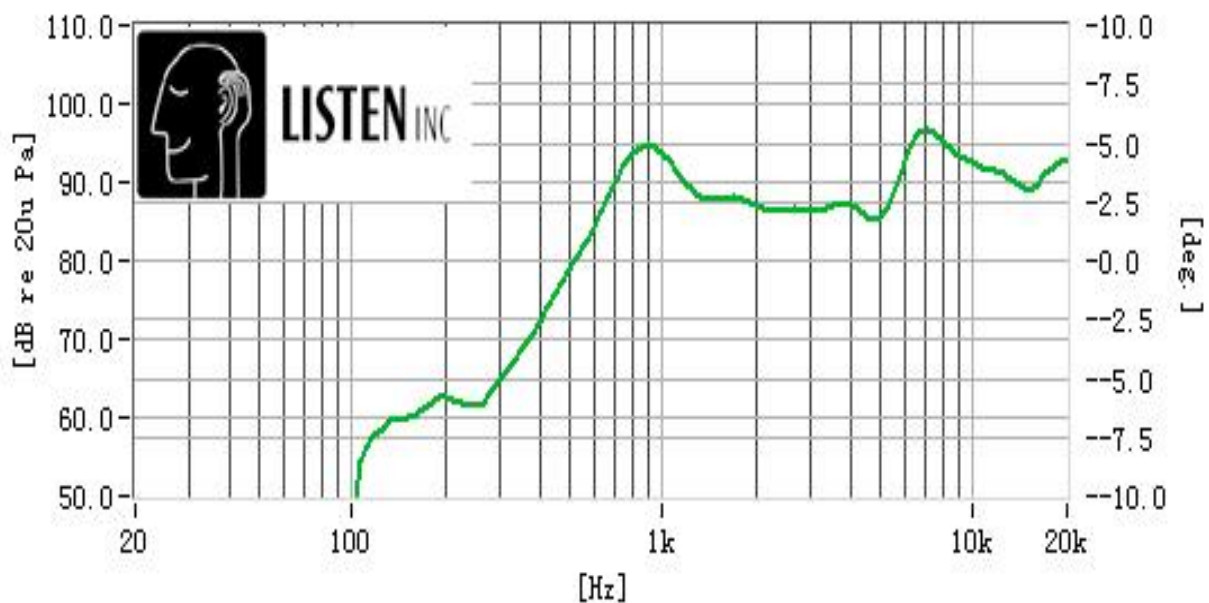
# SPECIFICATIONS

4-4

TYPE NO.

GSPK25042PN-8R0.5W-L30-1.25T

## 6.FREQUENCY RESPONSE CURVE (fig.3)



C H A N G E S						
	NO.	DATE	BEFORE	AFTER	REASON OF CHANGE	SIGN.

## X-ON Electronics

Largest Supplier of Electrical and Electronic Components

*Click to view similar products for [Speakers & Transducers](#) category:*

*Click to view products by [INGHAI](#) manufacturer:*

Other Similar products are found below :

[FC-30814-P127](#) [AS02832MR-2-R](#) [PB-1220PE](#) [PB-2015PQ](#) [900-00001](#) [AB2025B-LW50-R](#) [SWFK-31736-000](#) [PT-2065FW](#) [PT-4175W](#) [ED-30761-000](#) [ED-31305-163](#) [CI-30120-A42](#) [PB-0927PQ](#) [BF-9778-000](#) [CTX323B220](#) [SMS2020-08H4.5](#) [LF](#) [BDT1717-08H6.5W56MLF](#) [AS03608MR-LW100-R](#) [24520](#) [SP570445-4](#) [FS3020MS0820-H4.7](#) [FS2720NS0420-H5.7](#) [FS7040DS0450-H16.8](#) [FS8030NB0850-H17.8-R01](#) [FS77DS0850-H24-R01](#) [SFN-3840-0520](#) [SPK-2848-0.5W8](#) [1000](#) [3011](#) [HE-31751-000](#) [3698](#) [3708](#) [3806](#) [3808](#) [3810](#) [3812](#) [3814](#) [3816](#) [3818](#) [4477](#) [4605](#) [4613](#) [4622](#) [4634](#) [4642](#) [4645](#) [4670](#) [4898](#) [4899](#) [4985](#)