

規格承認書

PECIFICATION FOR APPROVAL

客戶
CUSTOMER : 立創
項目
ITEM : 塑壳插针内磁喇叭
型號
TYPE : GSPK3013P-8R0.15W
描述
DESCRIPTION : ϕ 30.0 x H13 mm 8 Ω 0.15W S.P.L: 83 dB+/- 3dB
客戶料號
CUSTOMER NO. :
規格書號
SPECIFICATION NO.:
版本
EDITION NO. : V1.0
日期
DATE : 2020-6-15

客戶承認

CUSTOMER CONFIRM AND SIGN

檢查 TESTED BY	審核 CHECKED BY	承認 APPROVED BY

東莞市贏海電子有限公司

DONGUAN INGHAI ELECTRONICS CO.,LTD

製作 ISSUED BY	審查 CHECKED BY	確認 APPROVED BY
周明	刘承成	

地址：广东省东莞市虎门镇怀德社区雅瑶工业区
電話 / TEL: 0769-83060958 傳真 / FAX: 0769-81608993
網址: [HTTP://WWW.INGHAI.COM](http://www.inghai.com)

A. 范围/SCOPE

该规格书适用于移动电话等使用的扬声器单元。

This Specification Applies to The Speaker, Used In Mobilephone sec.

B. 型号/PART No

客户型号/Customer'S Part no:

本公司型号/Our Part no : GSPK3013P-8R0.15W

C. 尺寸与重量/TYPE

30*13mm 圆形喇叭 电动式/ 20mm Rectangle Dynamic type

D. 尺寸与重量/DIMENSION

尺寸: 参考外观图面 (Figure.3)

Dimension: Refer To The Appearance Drawing. (Figure.3)

重量: 11 ±0.1g

Weight: 11 ±0.1g

E. 标准测试条件/STANDARD TEST CONDITION

在没有其他特别指定时, 测试应如下所记的标准测试条件下进行。

Unless Otherwise Specified, The Test Shall Be Made Under The Standard Conditions.

- 温度/Temperature : 17°C~25°C (Standard: 20.5°C)
- 相对湿度/Relative Humidity : 30%~85% (Standare: 85%)
- 大气压力/Pressure : 86Kpa~106Kpa(Standard: 101.3 Kpa)

F. 使用与储存温度/OPERATION AND STORAGE TEMPERATUR

- 使用温度/Operation Temperature : -40°C~85°C
- 储存温度/Storage Temperature : -40°C~ 85°C

G. 电气特性规格/Electrical Specification

参考特性规格页面/Refer To The Appearance Page

H. 外观与尺寸：参考附图

Appearance&Size: Refer To The Apprarence Drawing

1. 额定/Rated

项目/Items	规格/Specification	条件/Conditions
额定阻抗/Rated Impedance	8 Ohm±15%	At 1kHz 1.0 V
额定输入功率/Rated input power	0.15W	At 2.0 V
最大输入功率/Max input power	0.2W	At 2.0V
最低共振频率 /Min Resonant Frequency	1200±20% Hz	1.0 V Input
灵敏度/Sound pressure level	83±3dB	At 0.1m 0.1W
有效频率范围 /Effective Frequency Range	F0~20KHz	
谐波失真/THD	≤5% at 1kHz	

2. 动作检查/OPERATIONAL TEST

项目/ITEM	信号/SIGNAL	输入/INPUT	扫频范围/SWEEP RANGE
SWEEP TEST	Sine Wave	0.15W(2.0V)	200~5000Hz

- 在动作检查中不得有异常音出现
- Without Abnormal Sound In Operation Test.

3. 负荷实验/LOAD TEST

项目/ITEM	信号/SIGNAL	输入/INPUT	驱动时间 DRIVING TIME
Continuous load Test	White Noise (Sunlilab Model 8121C)	0.15W(2.0V)	96 hours

- 负荷实验后，常温两小时存放再次听音不得有异常音出现,灵敏度应保持在限度范围内。
- Store At Normal Temperature For Two Hours After Load Test ,Without Abnormal Sound In Sweep Test, And The S.P.L Shall Be In The Limit.

4. 可靠性实验/Reliability Test

项目/Item	条件/Condition	判定/Judgement
高温放置实验 High Temp Storage Test	85°C±2°C/20~40%RH/96H & 20°C±5°C,2H	实验完成后产品应满足上述 第 1, 2, 3 项要求. Clause 1, 2, 3 Shall be Satisfied After Test
低温放置实验 Low Temp Storage Test	-30°C±2°C/20~40%RH/96H & 20°C±5°C,2H	

耐湿实验 Humidity Test	40°C±2°C/90~95%RH/96H & 20°C±5°C,1H	
耐高温负荷实验 Heat Running Test	85°C±2°C/20~40%RH, 1H	
耐低温负荷实验 Cold Running Test	-40°C±2°C/20~40%RH, 1H	
热冲击实验 Thermal Shock Test	85°C±2°C — -40°C±2°C — 85°C±2°C 5 Cycles	
震动实验 Vibration Test	X: 10Hz; Y: 40Hz; Z: 10Hz /2H	

5. 跌落实验/DROP TEST

项目/Item	条件/Condition	判定/Judgement
Drop Test	产品在包装状态下,从 1 米高处向混凝土地面跌落:6 面 8 角各一次 Speaker Shall Be Packed In The Carton And Dropped To The Concrete Floor(High:1m):Once Each 6 flat and 8 Angle	实验完成后新产品应满足上述第 3 项要求 Clause 3 Shallbe Satisfied After Test

典型频响曲线 /TYPICAL FREQUENCY RESPONSE CURVE

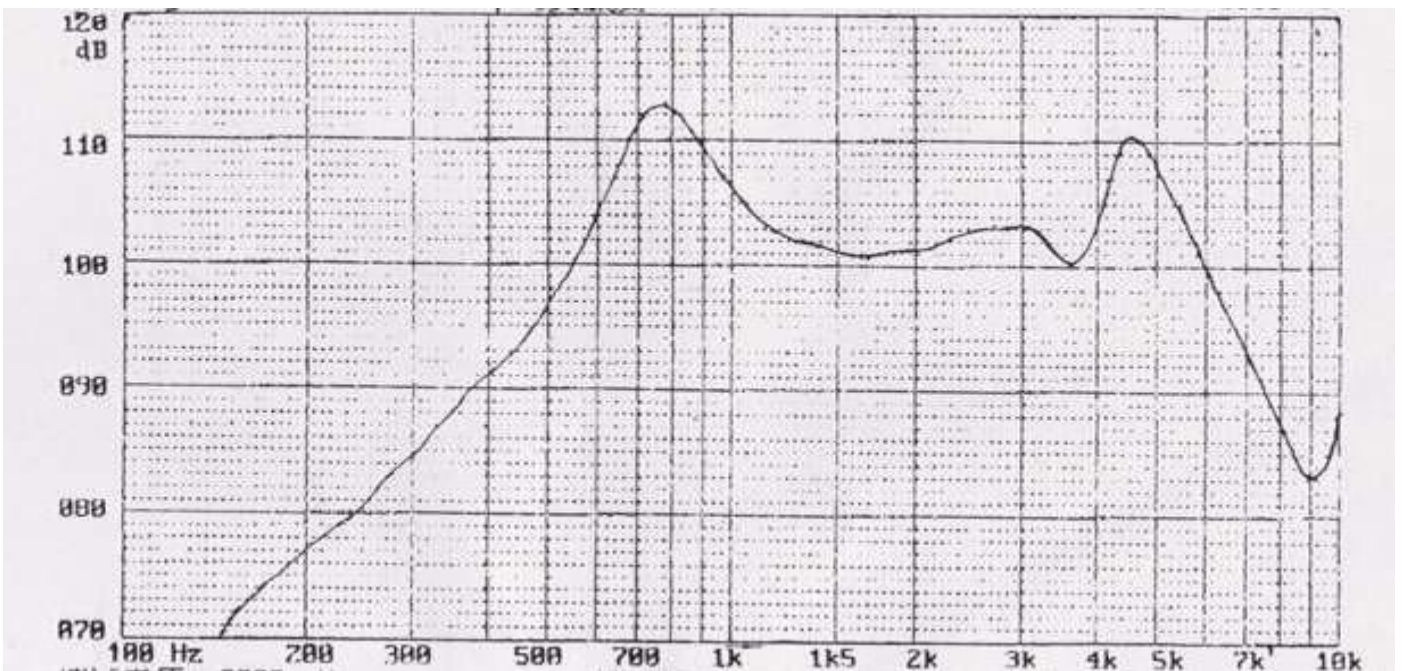


Figure.1 ■

FREQUENCY MEASURING CIRCUIT AND EAR PIECE

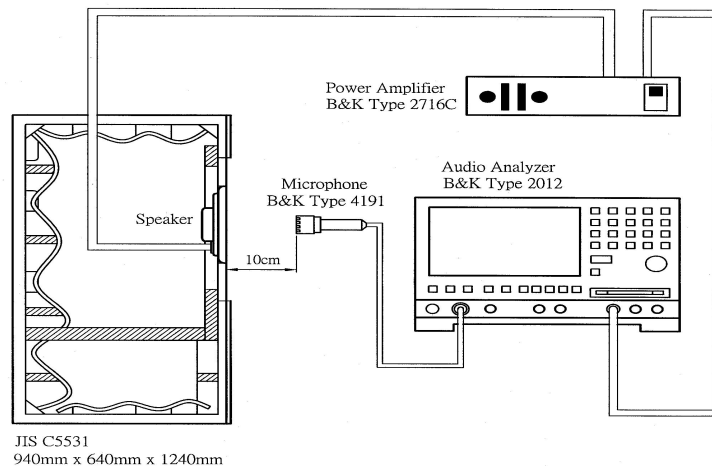
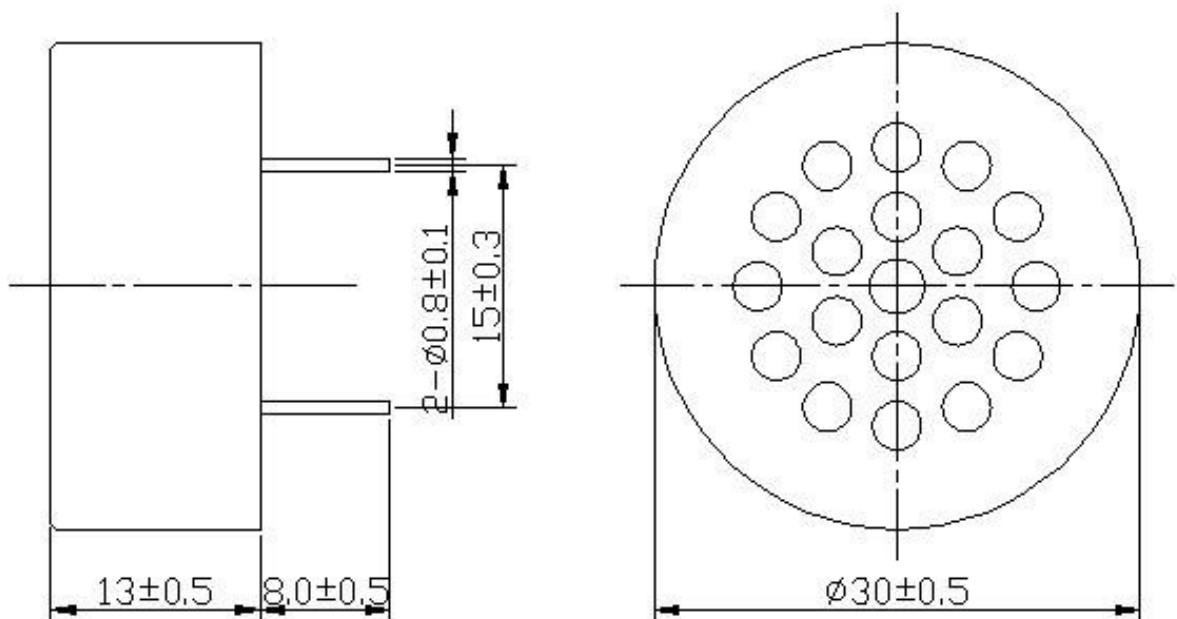


Figure.2

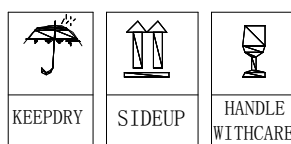
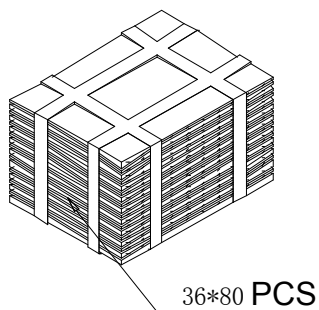
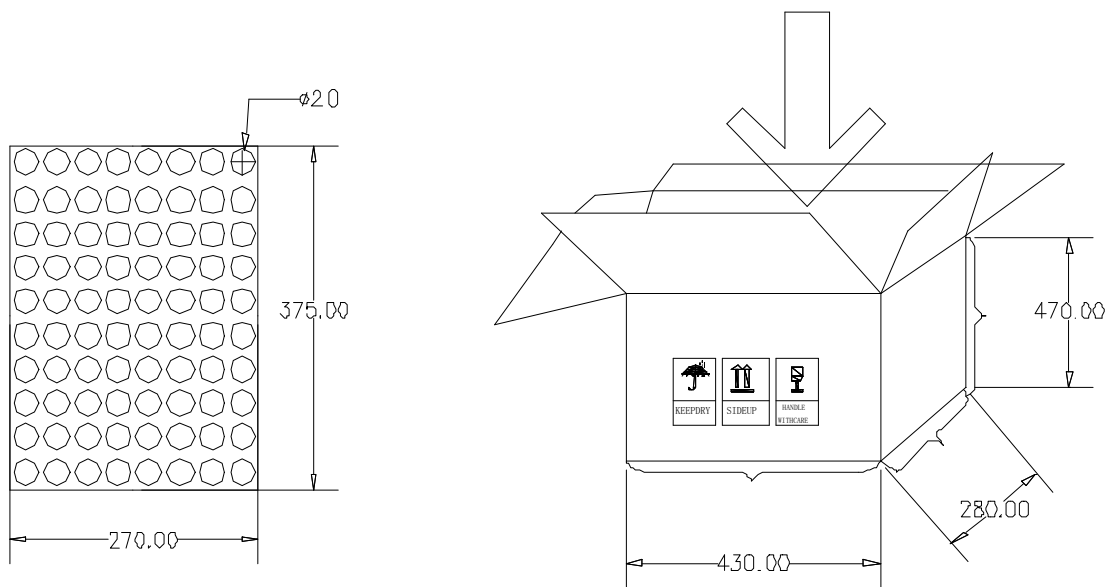
■ 产品外观图/ DIMENSIONAL DRAWING



ITEM	DESCRIPTIONS	SPEC.	SUPPLIER	QTY	REMARK
1	Front foam ring	Adhesive		1	V+1
2	Front cover	1Cr18Ni9		1	V+1
3	Diaphragm	PEN		1	V+1
4	Voice coil	Self-bonding wire		1	V+1
5	Inner pole shoe	08F,		1	V+1
6	Magnet	Nd-Fe-B		1	V+1
7	U YOKE	SPCE		1	V+1
8	PCB	T0.3		1	V+1
9	Lead wire	UL1571 AWG30#		2	V+1
10	Yoke assembly	PBT, black		1	V+1
11	Insulator pad	Mylar		0	V+1

Figure.3

■ 包装明细/Packaging details



侧面

DYNAMIC RECEIVER
 TYPE:
 QUANTITY: 2800PCS
 GROSS WT: Kg
 NET WT: Kg
 CM: 370*270*80

正面

X-ON Electronics

Largest Supplier of Electrical and Electronic Components

Click to view similar products for [Speakers & Transducers](#) category:

Click to view products by [INGHAI](#) manufacturer:

Other Similar products are found below :

[AS02016MR-2-R](#) [PB-1220PE](#) [PB-2015PQ](#) [900-00001](#) [SMT-2240-TW-2-R](#) [SWFK-31736-000](#) [PT-2065FW](#) [PT-4175W](#) [AT-2830-TW-LW35-R](#) [ED-30761-000](#) [ED-31305-163](#) [CI-30120-A42](#) [TWFK-23991-000](#) [PB-0927PQ](#) [BF-7083-000](#) [AB6505B](#) [AS01708MR-SC-2-R](#) [AT-5030-TF-2-LW100-R](#) [AST-03008MR-R](#) [AS04008PS-4W-R](#) [AS01308MR-2-R](#) [AS01808AO-WP-R](#) [AS01508MR-6-R](#) [AS07108PO-R](#) [AS07708PS-2-WR-R](#) [AS07104PO-R](#) [SMS2020-08H4.5 LF](#) [BDT1717-08H6.5W56MLF](#) [SMS-2008MS-R](#) [AS04008PS-4W-WR-R](#) [AS06608PS-WR-R](#) [BLS50-1-08H18.2B-03 LF](#) [AS03008MR-R](#) [AS04008CO-2-R](#) [AS04008PR-WR-R](#) [ASE03008MR-LW150-R](#) [AS01808MR-LW152-R](#) [AS01808MR-R](#) [AS03608MR-4-R](#) [AS06608PS-R](#) [AS07708PS-2-R](#) [AS07108PO-3-R](#) [ASE06008MR-LW150-R](#) [ASE02008MR-LW150-R](#) [AST-1732MR-R](#) [SMS-1508MS-2-R](#) [AS05708MR-R](#) [AS07004PO-WR-R](#) [AS05008MR-R](#) [APS3008S-R](#)