

規格承認書

PECIFICATION FOR APPROVAL

客戶

CUSTOMER : 立創

項目

ITEM : 喇叭 铁壳内磁

型號

TYPE : GSPK32055TN-8R1W

描述

DESCRIPTION : Φ 32 x 5.5 MM 铁壳内磁 8 Ω 1.0W

客戶料號

CUSTOMER NO. :

規格書號

SPECIFICATION NO.:

版本

EDITION NO. : V1.0

日期

DATE : 2022-6-13

客戶承認

CUSTOMER CONFIRM AND SIGN

檢查 TESTED BY	審核 CHECKED BY	承認 APPROVED BY

東莞市贏海電子有限公司

DONGUAN INGHAI ELECTRONICS CO.,LTD

製作 ISSUED BY	審查 CHECKED BY	確認 APPROVED BY
周明	李勇	

地址：廣東省東莞市長安鎮上沙管理區北橫路8號

電話 / TEL: 0769-83060958 傳真 / FAX: 0769-81608993

網址: HTTP://WWW.INGHAI.COM

SPECIFICATION

PRODUCT TYPE : DUAL MODE DYNAMIC SPEAKER/RECEIVER FOR TELEPHONE

MODEL : GSPK32055TN

PART NUMBER : GSPK32055TN-8R1W

1. TYPE**Dual mode dynamic speaker unit :**

Dynamic speaker with loudspeaker function for cellular phone

2. ELECTRICAL CHARACTERISTICS**2-1. INSPECTION CONDITIONS**

OPERATING TEMPERATURE RANGE : -20°~50℃

STORAGE TEMPERATURE RANGE : -30°~80℃

RELATIVE TEMPERATURE RANGE : 65±20%

2-2. SPEAKER MODE**2-2-1.RESONANCE FREQUENCY (Fo)**

450±20%Hz @ 1V. (Without Baffler)

2-2-2. VOICE COIL IMPEDANCE

8Ohm ± 15% at 2KHz.

2-2-3. SENSITIVITY

91±3dB at(0.8,1.0,1.5,2.0kHz average.) (0dB SPL=20μPa)

TEST METHOD:0.1W (Sine wave) 0.1m measured with baffler shown in Fig.1.

Input voltage : 632 mVrms.

2-2-4.FREQUENCY RESPONSE :show in figure 2.

2-2-5. S/N RATIO : 50 dB minimum (A-Curve at 1 kHz.,1 Pa)

2-2-6. RATED INPUT POWER : 1.0 W

2-2-7. MAX INPUT POWER : 1.5 W

2-2-8. BUZZ SOUND : The input power shall be set at rated noise power(0.5W). Using an audio oscillator sweep from 300 to 1500HZ in free air. There shall be no buzzes,rattles,nor spurious noises.

2-2-9. THD :less than 10% at 1kHz ,with 0.1W.

3. MECHANICAL ITEMS /DIMENSION

See product drawing in figure 3

All dimensions & parameters mark on drawing. Shall be controlled by SPC

4. WEIGHT : 8.0±0.5g.

5. LOAD TEST : Sweep 300-1500 Hz, 2s/sweep 2.0 Vrms. (0.5W), 4 days.

After test sensitivity and frequency response max variation : ± 3 dB.

APPROVED:HUANG

CHECKED:wang

PREPARED:liu

DATE : 2017.12.06

DATE : 2017.12.06

DATE : 2017.12.06

Rev No : A

RD-003

SPECIFICATION

PRODUCT TYPE : DUAL MODE DYNAMIC SPEAKER/RECEIVER FOR TELEPHONE

MODEL : GSPK32055TN

PART NUMBER : GSPK32055TN-8R1W

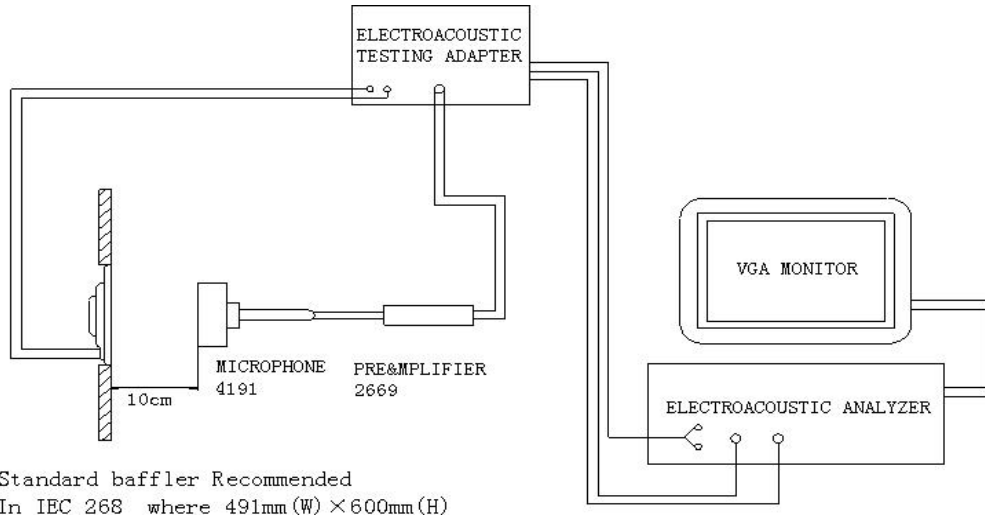


Figure 1

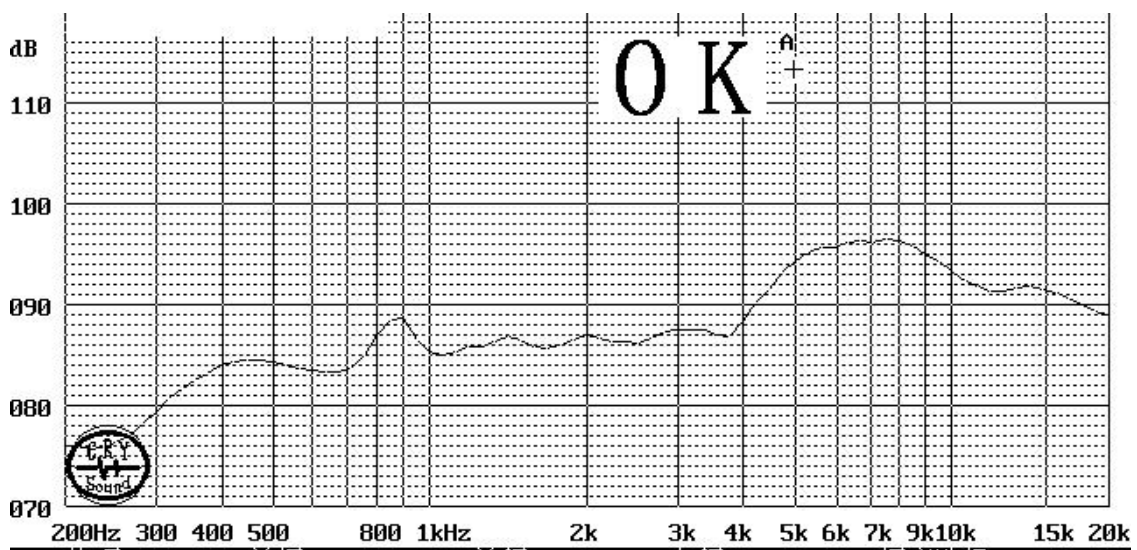


Figure 2

APPROVED:HUANG

CHECKED:wang

PREPARED:liu

DATE : 2017.12.06

DATE : 2017.12.06

DATE : 2017.12.06

Rev No : A

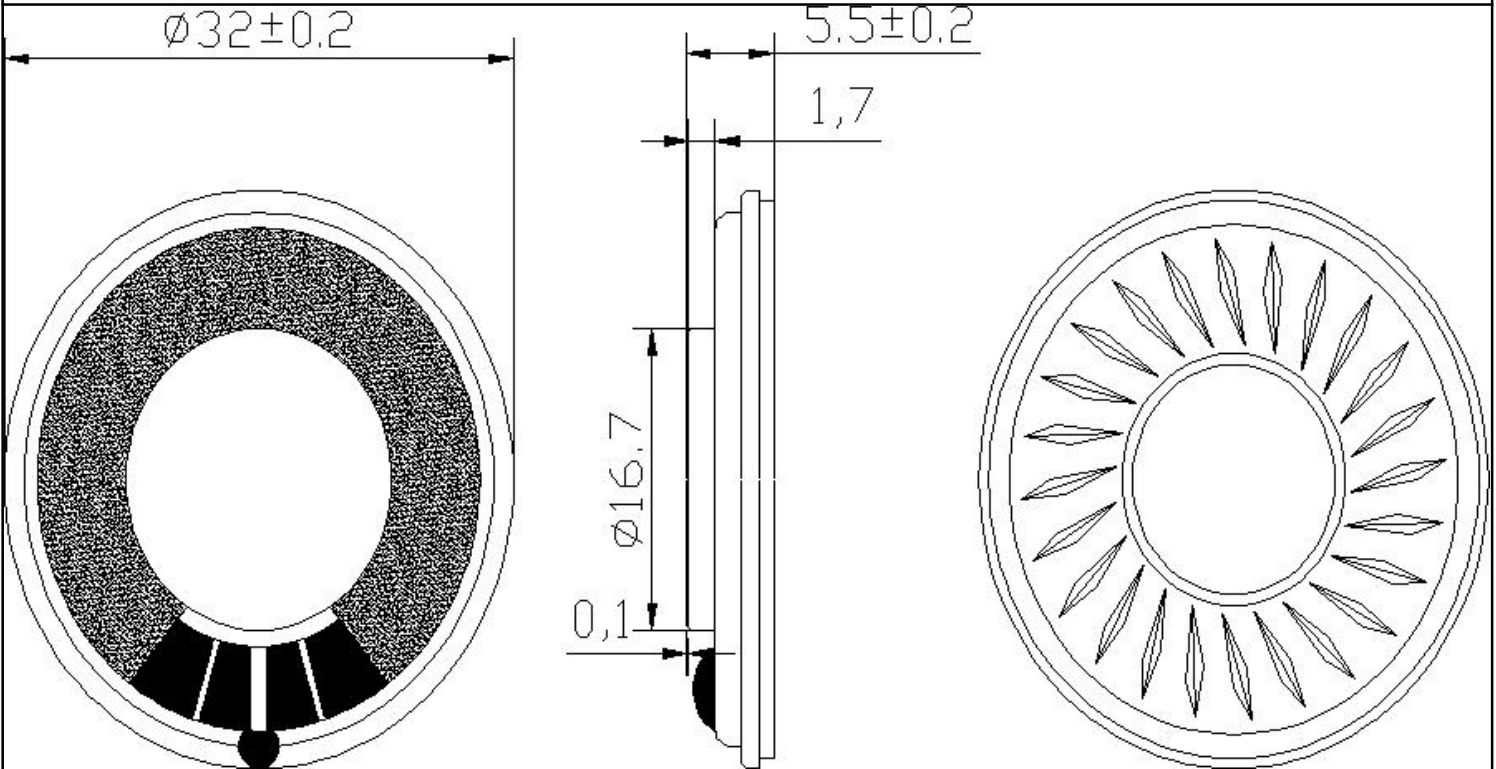
RD-003

SPECIFICATION

PRODUCT TYPE : DUAL MODE DYNAMIC SPEAKER/RECEIVER FOR TELEPHONE

MODEL : GSPK32055TN

PART NUMBER : GSPK32055TN-8R1W

**Figure 3 Mechanical Layout and Dimensions**Tolerance general unless otherwise noted: $\pm 0.2\text{mm}$

PART NO.	PART NAME	QTY	MATERIAL	REMARK
1	Front cover	1	ABS	
2	Diaphragm	1	PEN	
3	Voice coil	1	HTW-FY3	
4	Polarpiece	2	SPCC	
5	Magnet	2	NdFeB	
6	Under Yoke	1	SPCC	
7	PCB	1	0.4t	
8	Front gasket	1	PORON	
9				
10	Dust proof screen	2	CLOTH	
11	YOKE	1	ABS	

APPROVED:HUANG

CHECKED:wang

PREPARED:liu

DATE : 2017.12.06

DATE : 2017.12.06

DATE : 2017.12.06

Rev No : A

RD-003

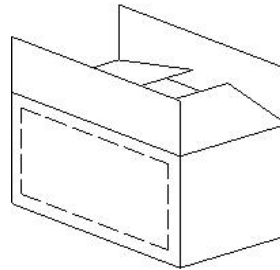
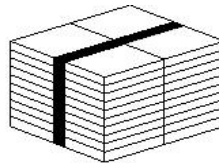
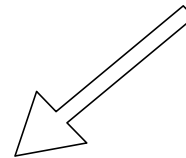
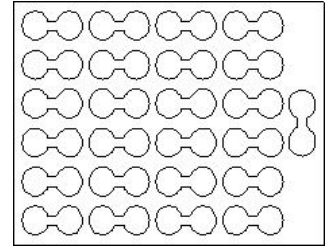
SPECIFICATION

PRODUCT TYPE : DUAL MODE DYNAMIC SPEAKER/RECEIVER FOR TELEPHONE

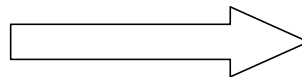
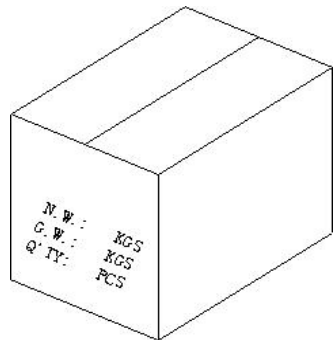
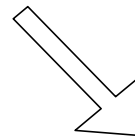
MODEL : GSPK32055TN

PART NUMBER : GSPK32055TN-8R1W

Packing List



- 1. 100 pcs of speaker in each tray;
- 2. 40 trays in one paper box;
- 3. Absorbers are applied as shown.



DYNAMIC SPEAKER WITH WIRE
 TYPE: GSPK32055TN-8R1W
 QUANTITY: 2000PCS
 GROSS WT: 12.5KG
 NET WT: 10.5KG
 VOLUME: 46×36×26CM

Figure 4

APPROVED: **HUANG**

CHECKED: **wang**

PREPARED: **liu**

DATE : 2017.12.06

DATE : 2017.12.06

DATE : 2017.12.06

Rev No : A

RD-003

X-ON Electronics

Largest Supplier of Electrical and Electronic Components

Click to view similar products for [Speakers & Transducers](#) category:

Click to view products by [INGHAI](#) manufacturer:

Other Similar products are found below :

[FC-30814-P127](#) [AS02832MR-2-R](#) [PB-1220PE](#) [PB-2015PQ](#) [900-00001](#) [AB2025B-LW50-R](#) [SWFK-31736-000](#) [PT-2065FW](#) [PT-4175W](#) [ED-30761-000](#) [ED-31305-163](#) [CI-30120-A42](#) [PB-0927PQ](#) [BF-9778-000](#) [CTX323B220](#) [SMS2020-08H4.5](#) [LF](#) [BDT1717-08H6.5W56MLF](#) [AS03608MR-LW100-R](#) [24520](#) [SP570445-4](#) [FS3020MS0820-H4.7](#) [FS2720NS0420-H5.7](#) [FS7040DS0450-H16.8](#) [FS8030NB0850-H17.8-R01](#) [FS77DS0850-H24-R01](#) [SFN-3840-0520](#) [SPK-2848-0.5W8](#) [1000](#) [3011](#) [HE-31751-000](#) [3698](#) [3708](#) [3806](#) [3808](#) [3810](#) [3812](#) [3814](#) [3816](#) [3818](#) [4477](#) [4605](#) [4613](#) [4622](#) [4634](#) [4642](#) [4645](#) [4670](#) [4898](#) [4899](#) [4985](#)