

規格承認書

PECIFICATION FOR APPROVAL

客戶

CUSTOMER : 立創

項目

ITEM : 腔体喇叭

型號

TYPE : GSPK504522BOX-4R3W-L200-2.0T

描述

DESCRIPTION : L50*W45*H22mm 腔体 4R 1-3W 焊线 L200mm 2.0T/2P 79+/-3DB

客戶料號

CUSTOMER NO. :

規格書號

SPECIFICATION NO.:

版本

EDITION NO. : V1.0

日期

DATE : 2024-5-24

客戶承認

CUSTOMER CONFIRM AND SIGN

檢查 TESTED BY	審核 CHECKED BY	承認 APPROVED BY

東莞市贏海電子有限公司

DONGUAN INGHAI ELECTRONICS CO.,LTD

製作 ISSUED BY	審查 CHECKED BY	確認 APPROVED BY
周明	李林	

地址：广东省东莞市长安镇上沙第五工业区新春路1号新春科技园

電話 / TEL: 0769-83060958 傳真 / FAX: 0769-81608993

網址: HTTP://WWW.INGHAI.COM

制 品 规 格 书
SPEAKER SPECIFICATION

一、适用范围
Applicable Scope (this kind of specification is applied in multi-media)

1.1 类型 Type	Permanent-magnet dynamic loudspeaker
1.2 寸法 Dimensions	outer diameter4550mm High22.5mm
1.3 输入功率 Input power	Rated power3W;Maximum power4W

二、机械特性
Mechanical Speciality

2.1 外观尺寸 Appearance Dimensions	See Product drawing
	L50*W45*H22mm

三、电气特性
Electrical Speciality

3.1 标称阻抗 Nominal Impedance	4Ω±15% At 1000 Hz test 1-3W
3.2 直流阻抗 DC Impedance	3Ω±10%
3.3 额定输入功率 Rated Input Power	3W
3.4 最大输入功率 Max. Input Power	5W
3.5 最低共振周波数 Lowest Resonance Frequency	250 Hz±20%
3.6 灵敏度 Output Sound Pressure Level	79± 3 dB / 0.1 W/890 mv 10 cm Average at1000, 1200, 1500, 2000 HZ
3.7 有效频宽 Effective Frequency Band	FO~10KHz Average SPL-10 dB
3.8 失真率 Distortion	5% Maxium at 1000 HZ 0.1W/0.1M
3.9 纯音检测 Pure tone Test	Must be normal at sine wave3.4V at 240Hz ~ 5KHz
3.10 极性 Polarity	When a positive current is supplied from the speaker the terminal marked (+) and a negative to the other terminal the diaphragm must move toward the front.

批准 Approve		审核 Check		制成 Execution	郭正会
---------------	--	-------------	--	-----------------	-----

制 品 规 格 书
SPEAKER SPECIFICATION

四、信赖性
Reliable Test

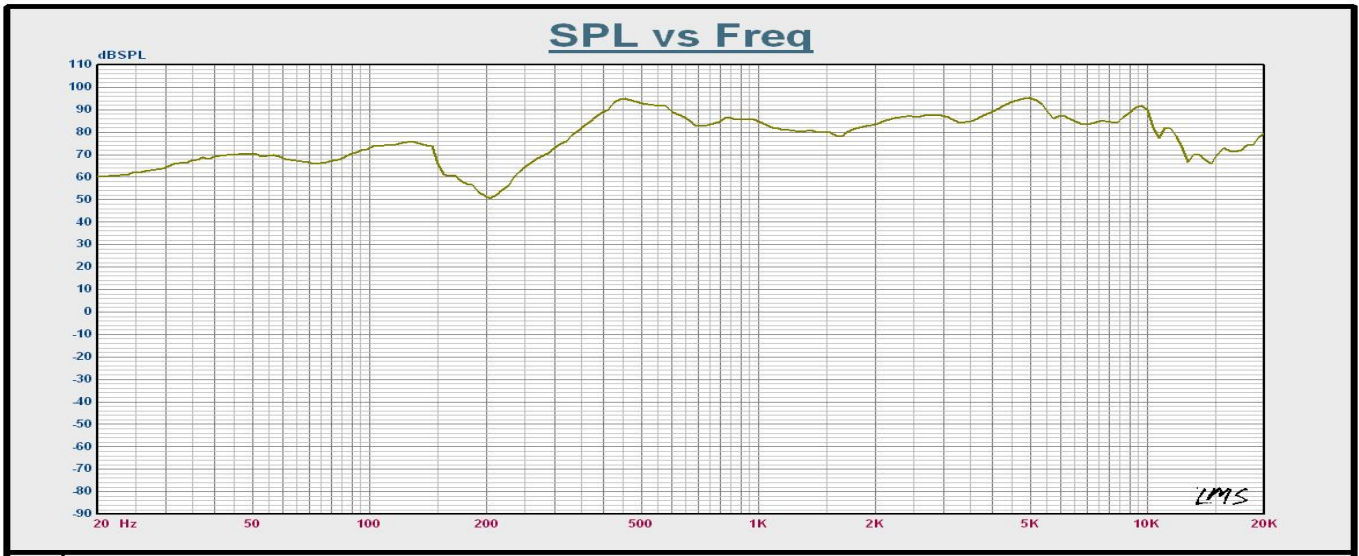
4.1 连续负荷 Load Test	Use Sunlilab-Model-8121c white noise signal 3W 12 Hour After the test should be able to meet the requirements of section 3.7 There shall be no distinct deformation in appearance.
4.2 高温保存 High-temperature preservation	Temperature of 65±2℃ humidity of 20~30% for 96 hour at room temperature the shelving of 1 hour the test no abnormal adverse
4.3 低温保存 Low-temperature preservation	Temperature of -25±2℃ for 96 hour, at room temperature the shelving of 1 hour the test no abnormal adverse
4.4 高温动作 High-temperature operation	Temperature of 50℃ humidity of 20~30% work 16 hours at room temperature the shelving of 1 hour test no abnormal adverse
4.5 低温动作 Low-temperature operation	Temperature of -20℃ work 16 hours at room temperature the shelving of 1 hour test no abnormal adverse
4.6 耐湿性 Humidity Test	Temperature of 40±2℃ humidity of 90~95% for 96 hour at room temperature the shelving of 1 hour the test no abnormal adverse
4.7 温/湿度循环试验 Compositetemperature/humidity cyclic test	Refer to JIS C 60068-2-38 The loudspeaker shall be subjected to 10 continuous cycles the loud speaker shall be stored at standard atmospheric conditions for 6 H for recovery After the test should be able to meet the requirements of section 3.7 There shall be no distinct deformation in appearance.
4.8 振动测试 Vibration test	To be no interference in operation after vibration 10HZ~55HZ for 1 minute full amplitude 2mm for 8hours at X,Y,Z, three axes After the test should be able to meet the requirements of section 3.7 There shall be no distinct deformation in appearance.
4.9 跌落测试 Drop test	Packaging The speaker from height 60 CM Down to concrete floors 。 in five directions Trial one cycles After the test should be able to meet the requirements of section 3.7。

五、磁束密度
Flux Density

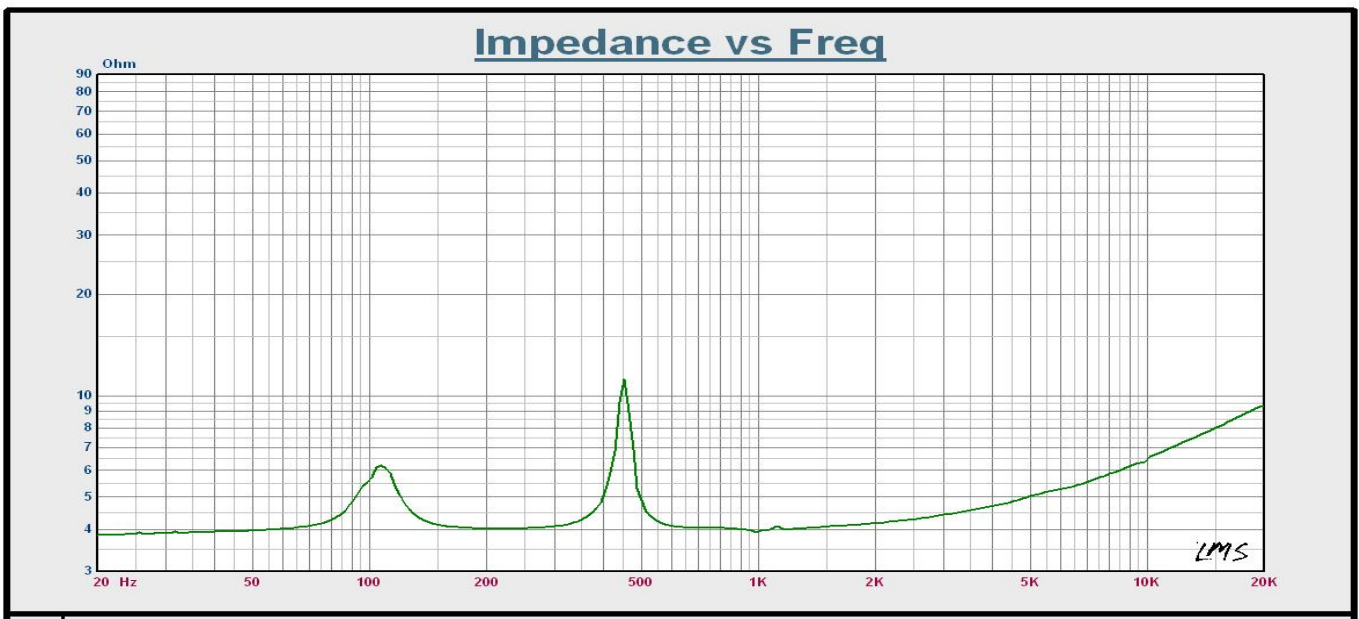
5.1 磁束密度 Flux Density	N35 Gauss
5.2 磁 铁 Magnet	Nd-Fe-B: /12.5 Ferrite: /
5.3 重 量 Weight	/ G

批准 Approve	审核 Check	制成 Execution	郭正会
---------------	-------------	-----------------	-----

频响曲线图
Frequency response curve



Map	— 8: 4550 SPL		
Notes	_____ _____ Data Measured: Feb 5, 2002 Tue 12:13 am		
LMS	4.6.0.371 四月.16.2016	Person: Company:	Project: File: 22.lib
			Feb 5, 2002 Tue 12:13 am
			LINEAR X S Y S T E M S

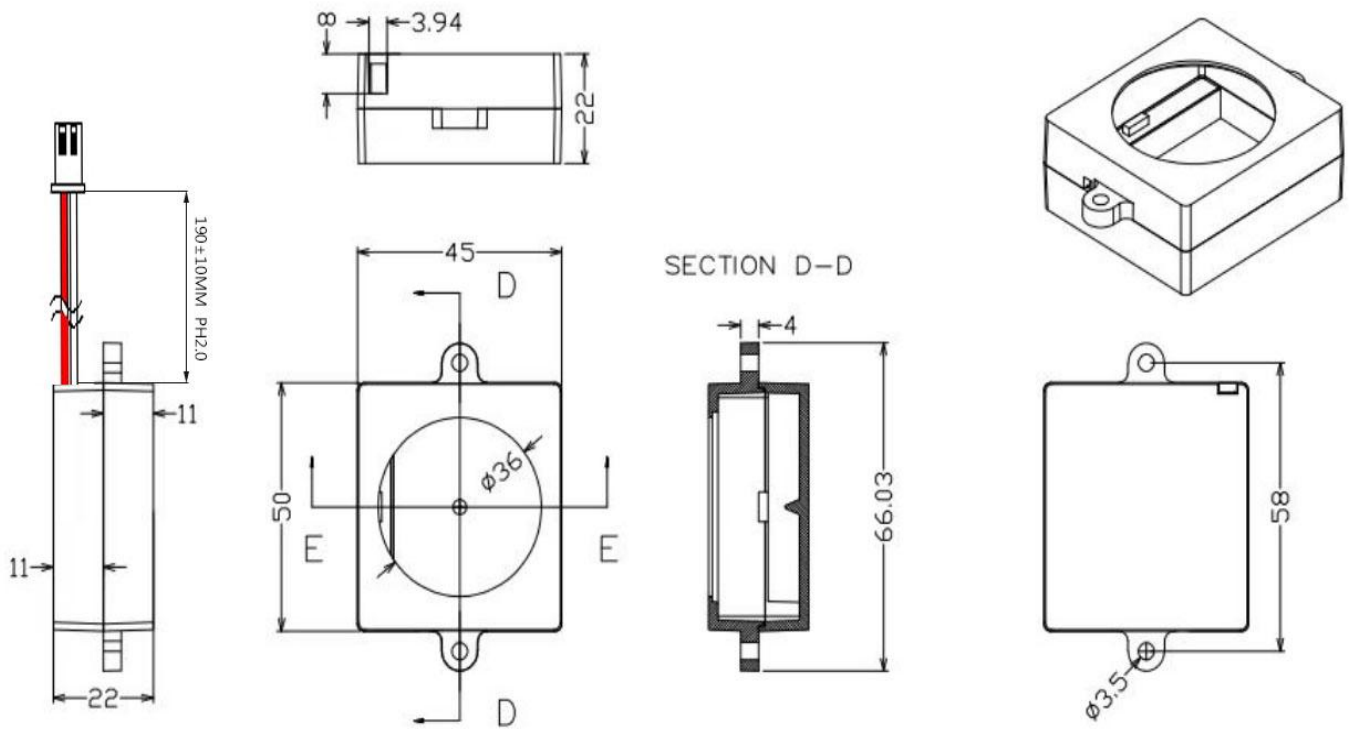


Map	— 7: 4550 FO		
Notes	_____ _____ Data Measured: Feb 5, 2002 Tue 12:02 am		
LMS	4.6.0.371 四月.16.2016	Person: Company:	Project: File: 22.lib
			Feb 5, 2002 Tue 12:14 am
			LINEAR X S Y S T E M S

批准 Approve	审核 Check	制成 Execution	郭正会
---------------	-------------	-----------------	-----

产品外形图
Outline example

NO.	材料 PARTAME	材质 MATERIAL	数量 QTY	
1	胶壳 <i>Frame</i>	SPCC	1	
2	磁铁 <i>Magnet</i>	Nd-Fe-B	1	
3	华司 <i>Washer</i>	SPCC	1	
4	PCB板 <i>Terminal</i>	FR-4	1	
5	音圈 <i>Voice Coil</i>	Cu	1	
6	振动膜 <i>Diaphragm</i>	PET	1	
7	垫圈 <i>Gasket</i>	PAPER	1	
8	引线 <i>Wire</i>	UL1007 26#	DO1.3	1



批准
Approve

审核
Check

制成
Execution

郭正会

X-ON Electronics

Largest Supplier of Electrical and Electronic Components

Click to view similar products for [Speakers & Transducers](#) category:

Click to view products by [INGHAI](#) manufacturer:

Other Similar products are found below :

[FC-30814-P127](#) [AS02832MR-2-R](#) [PB-1220PE](#) [PB-2015PQ](#) [SWFK-31736-000](#) [PT-2065FW](#) [PT-4175W](#) [PB-0927PQ](#) [BF-9778-000](#) [MBS](#)
[3000-1811-A1AB08-0](#) [SMS2020-08H4.5](#) [LF](#) [BDT1717-08H6.5W56MLF](#) [AS03608MR-LW100-R](#) [SP570445-4](#) [FS7833NB0830-H19.0-R01](#)
[FS77DS0850-H24-R01](#) [GSPK5010TN-4R2W](#) [GSPK5010TN-4R3W](#) [KLJ-1504R8W0.5-L44](#) [FS7423NB0430-H10.0](#) [FS50DS0430-H12.7](#) [PEI](#)
[FS3511NB0808-H6.7-R01](#) [FS4020NB0410-H6.0-R01](#) [FS66W04100-H31](#) [FS45DS0880-H24.8-R02](#) [FS32NS0820-H5.8-R01](#) [FS2112NB0807-](#)
[H7.0-R01](#) [FS3520NS0820-H7.9-P1.25-L60](#) [FS50DS0430-H13.3-R24](#) [FS3411P08-H4.0](#) [FS26NS0820-H4.9-R01](#) [FS14430NB0880-H30-R01](#)
[FS5835DS0850-H19.4-R01](#) [FS2011NB0807-H3.9-R01](#) [FS28DS0820-H9.4-R01](#) [FS66W0830-H27](#) [FS66W0850-H22](#) [FS40DS0830-H11.2-](#)
[P2.0-L100](#) [FS28DS0830-H15.3](#) [FS102W0480-H35](#) [FS3525NS0820-H5.5-R01](#) [FS5035NB0820-H26.8-R01](#) [FS27DS0830-H10.8-R01](#)
[FS3915NB0808-H11.5-R01](#) [FS3020NB0808-H4.0-R01](#) [FS3616NB0808-H10-R01](#) [FS3514NB0808-H6.0-R01](#) [FS40DS0450-H18.3](#)
[FS77W0450-H23.5](#) [FS77W0850-H25.5](#)