

# 規格承認書

PECIFICATION FOR APPROVAL

客戶

CUSTOMER : 立創

項目

ITEM : 超声波传感器

型號

TYPE : GU1008C-40T/R

描述

DESCRIPTION :  $\phi 10 \times H7 \text{mm}$  40KHz 开放式 收发分体

客戶料號

CUSTOMER NO. :

規格書號

SPECIFICATION NO. :

版本

EDITION NO. : V1.1

日期

DATE :

## 客戶承認

### CUSTOMER CONFIRM AND SIGN

檢查 TESTED BY	審核 CHECKED BY	承認 APPROVED BY

## 東莞市贏海電子有限公司

### DONGUAN INGHAI ELECTRONICS CO.,LTD

製作 ISSUED BY	審查 CHECKED BY	確認 APPROVED BY
周明	李林	

地址：廣東省東莞市長安鎮上沙管理區新春工業園新春路1號

電話 / TEL : 0769-83060958 傳真 / FAX : 0769-81608993

網址：[HTTP://WWW.INGHAI.COM](http://www.inghai.com)

## A. Scope

This specification applies Ultrasonic sensor GU1008C-40T/R

## B. Characteristics

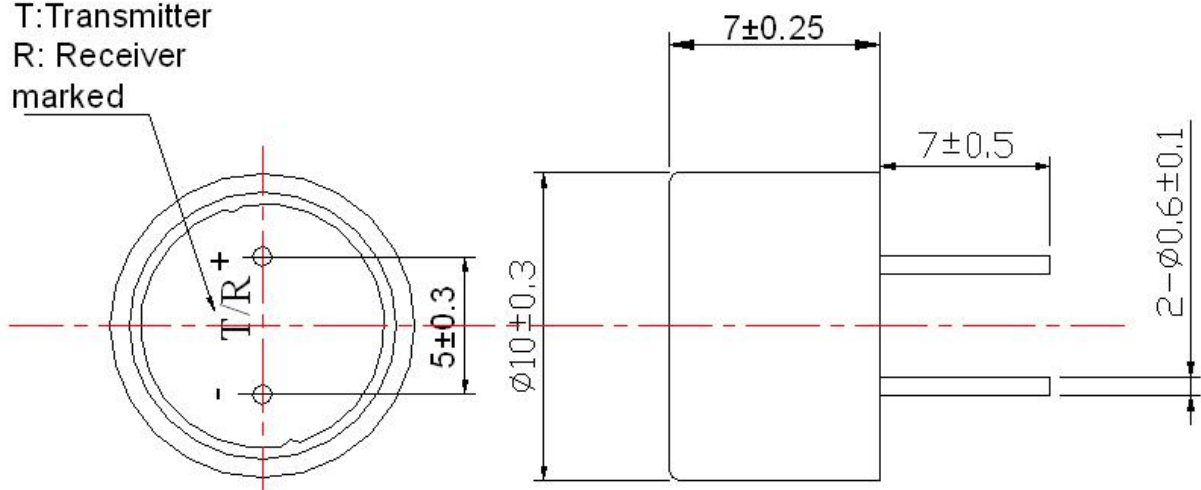
- 1.1) Open structure and separate use
- 1.2) Compact and light weight
- 1.3) High sensitivity and sound pressure
- 1.4) Less power consumption
- 1.5) High reliability

## C. Technical terms

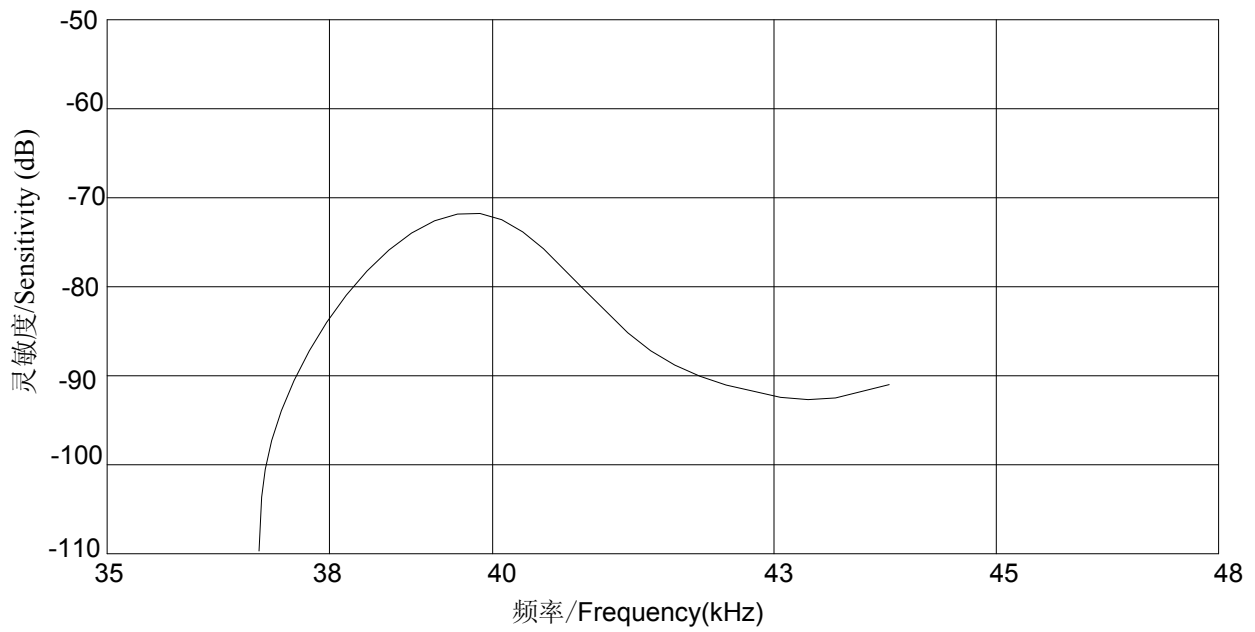
No.	Item	Unit	Specification
1	Construction		Open
2	Using method		Transmitter/Receiver
3	Nominal Frequency	Hz	40K
4	Sensitivity		$\geq -75\text{dBV}/\mu\text{Mbar}$
5	SPL	dB	$\geq 108$ (10V/30cm/sine wave)
6	Directivity		80deg
7	Capacitance	pF	$2100 \pm 25\% @ 1\text{KHz}$
8	Detectable range	m	0.2...12
9	Operating Temperature	°C	-20...+80
10	Housing material		Al

## D. Drawing

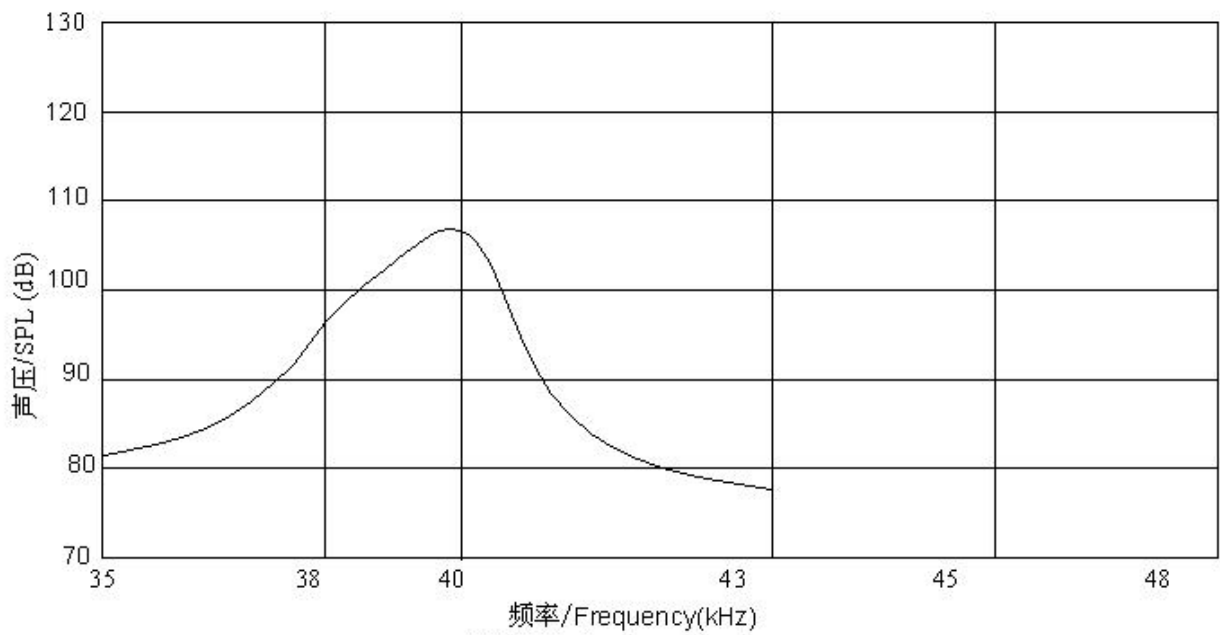
T: Transmitter  
R: Receiver  
marked



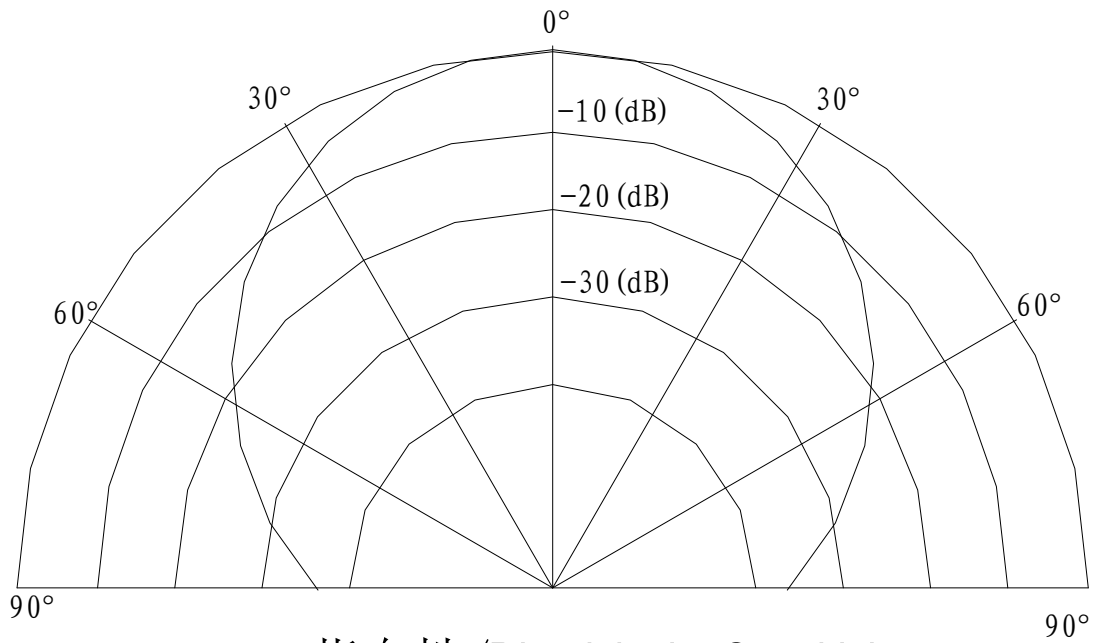
## E. Beam Pattern



灵敏度-频率特性图/Sensitivity-Freq.Characteristics



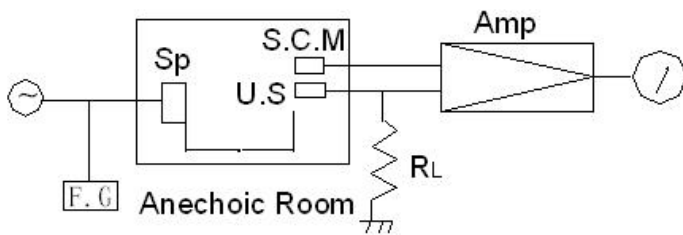
声压-频率特性图/SPL-Freq.Characteristics



指向性/Directivity in Sensitivity

## F. Test Circuit

### Receiver



RL:  $3.9K\Omega$

U.S. :Ultrasonic Sensor

S.C.M:Standard Cappacitor Microphone

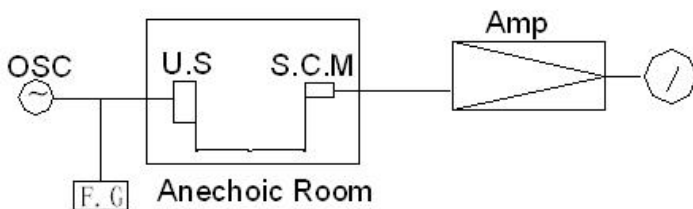
Amp. :Amplifier

OSC. :Oscillator

Sp :Tweeter

F.C. :Frequency Counter

### Transmitter



U.S. :Ultrasonic Sensor

S.C.M:Standard Cappacitor Microphone

Amp. :Amplifier

Input voltage:  $10V_{rms}$

F.C. :Frequency Counter

## X-ON Electronics

Largest Supplier of Electrical and Electronic Components

*Click to view similar products for [Proximity Sensors](#) category:*

*Click to view products by [INGHAI](#) manufacturer:*

Other Similar products are found below :

[01.001.5653.1](#) [70.340.1028.0](#) [70.360.2428.0](#) [70.364.4828.0](#) [70.810.1053.0](#) [72.360.1628.0](#) [73.363.6428.0](#) [9221350022](#) [980659-1](#) [QT-12](#)  
[E2EX10D1NN](#) [E2E-X14MD1-G](#) [E2E-X2D1-G](#) [E2EX2ME2N](#) [E2E-X3D1-N 10M](#) [E2E-X4MD1-G](#) [E2FMX1R5D12M](#) [E2K-F10MC1 5M](#)  
[EI1204TBOSL-6](#) [EI5515NPAP](#) [BSA-08-25-08](#) [IC08ANC15PO-K](#) [IMM2582C](#) [25.161.3253.0](#) [25.332.0653.1](#) [25.352.0653.0](#) [25.352.0753.0](#)  
[25.523.3253.0](#) [9151710023](#) [922FS1.5C-A4P-Z774](#) [SC606ABV0S30](#) [SM952A126100LE](#) [A1220EUA-T](#) [F3S-A162-U](#) [CL18](#) [QT-08L](#)  
[34.110.0010.0](#) [TL-C2MF1-M3-E4](#) [IA08BLF15NOM5](#) [IA08BSF15NOM5](#) [IA12ASF04DOM1](#) [IMM32188C](#) [IS2](#) [IS31SE5000-UTLS2-TR](#)  
[34.110.0021.0](#) [34.110.0022.0](#) [CA150-120VACDC](#) [VM18VA3000Q](#) [XS508BSCBL2](#) [XS512BLNAM12](#)