

MIP 2012-2520 Series

Specification

Product Name	Power Inductor
Series	MIP Series
Size	EIAJ 2012-2520



Multilayer Power Inductor (MIP Series) Engineering Spec.

This product belongs to the industrial grade standard, not the vehicle gauge product! Can not use auto parts, if the customer is not expressly informed and privately used to auto parts, produce any consequences, the original is not responsible for after-sales service, thank you!

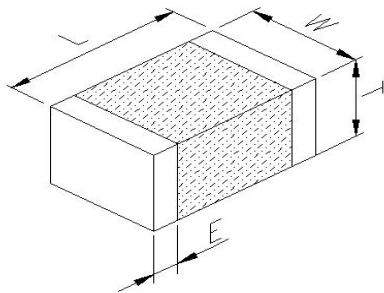
■ Features

- The monolithic construction performs high reliability and ensures a closed magnetic flux in a component avoids magnetic leakage and interference .
- Allow for higher mounting density.
- Low DC resistance.

■ Applications

Suitable for DVD , DSC , PND , PC , NB , Power Line

■ Shapes and Dimensions



TYPE	2012 (EIA0805)	2016 (EIA0806)	2520 (EIA1008)
L	2.00±0.20	2.00±0.20	2.50±0.20
W	1.25±0.20	1.60±0.20	2.00±0.20
T	0.90±0.10	0.90±0.10	0.90±0.10
E	0.50±0.30	0.50±0.30	0.50±0.30
Unit	mm		

■ Part Number Code

<u>MIP</u>	<u>2012</u>	<u>2R2</u>	<u>M</u>	<u>B</u>	<u>E</u>
1	2	3	4	5	6

- 1 Series Name
- 2 Size Code : The first two digitals: length(mm) , the last two digitals: width(mm)
- 3 Inductance : R = Decimal point , Unit = μH
- 4 Tolerance : M = $\pm 20\%$
- 5 Soldering : Green Parts , B= Lead-Free for whole chip
- 6 Packaging : E = Embossed plastic tape, 7" reel

■ Part Number and Characteristics Table

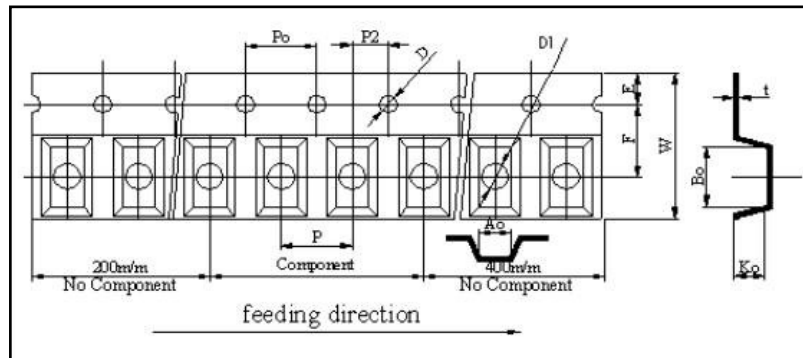
Part Number.	Inductance $\pm 20\%$ (μH)	Test Freq. (MHz)	SRF (MHz)	DCR $\pm 25\%$ (Ω)	Rated Current (mA)
2012 Series					
MIP2012 1R0MBE	1.00	1	90	0.100	1100
MIP2012 2R2MBE	2.20	1	70	0.170	900
MIP2012 3R3MBE	3.30	1	50	0.200	800
MIP2012 4R7MBE	4.70	1	40	0.230	700
2016 Series					
MIP2016 2R2MBE	2.20	1	40	0.120	1100
MIP2016 4R7MBE	4.70	1	20	0.160	900
2520 Series					
MIP2520 R47MBE	0.47	1	100	0.040	1800
MIP2520 1R0MBE	1.00	1	60	0.055	1600
MIP2520 1R5MBE	1.50	1	50	0.070	1500
MIP2520 2R2MBE	2.20	1	40	0.080	1300
MIP2520 3R3MBE	3.30	1	30	0.100	1200
MIP2520 4R7MBE	4.70	1	25	0.110	1100
MIP2520 6R8MBE	6.80	1	25	0.200	1100
Test Instruments and Conditions	•HP4291B-RF Impedance / Material Analyzer •HP4338A/B Milliohm meter Test Frequency : 1 MHz / OSC Level : 100mV				

*1 : For special part number which is not shown in the above table, please refer to appendix.

*2 : Apply DC 0.4 ~ 0.6A to chip for 1 ~ 3 sec. before to measure inductance.

■ Tape and Reel Specifications

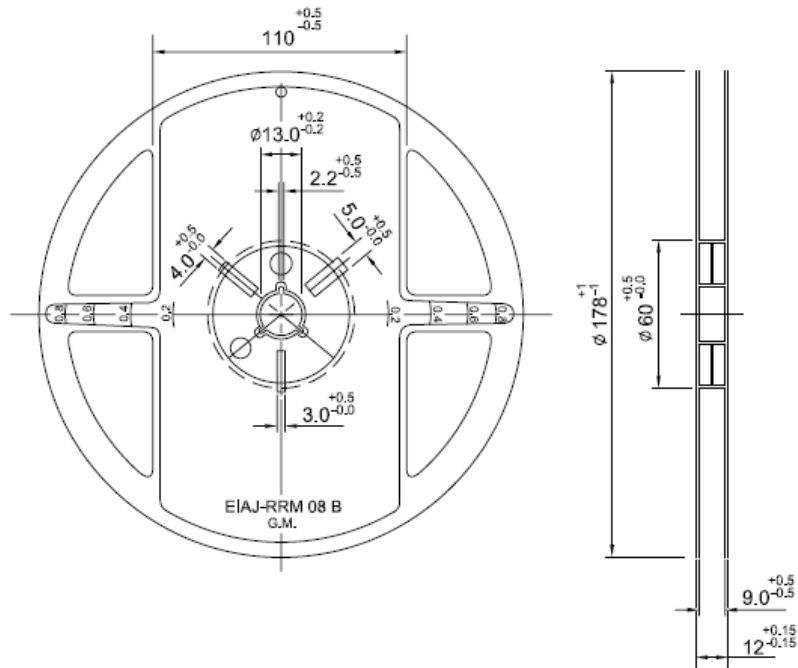
Plastic Carrier (E)



Taping Dimensions

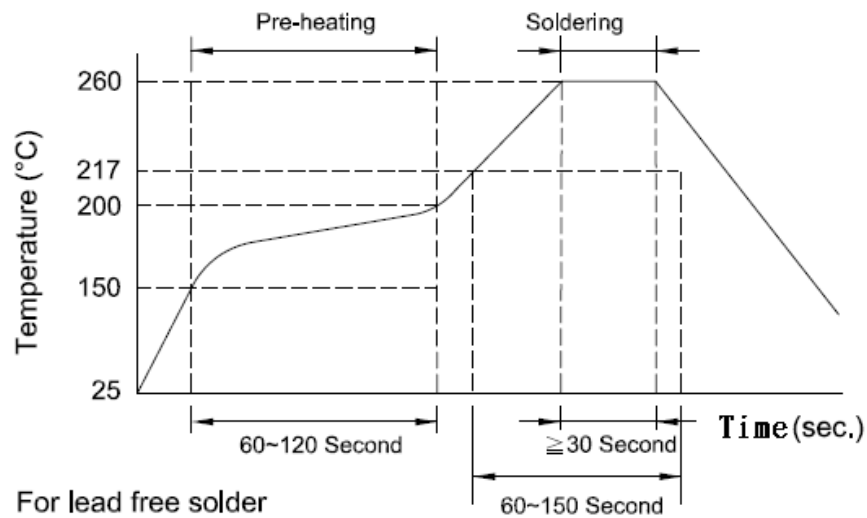
(mm)	2012	2016	2520
Symbol	E	E	E
W	8.00 ± 0.10	8.00 ± 0.10	8.00 ± 0.10
P	4.00 ± 0.10	4.00 ± 0.10	4.00 ± 0.10
E	1.75 ± 0.10	1.75 ± 0.10	1.75 ± 0.10
F	3.50 ± 0.10	3.50 ± 0.10	3.50 ± 0.10
D	1.55 ± 0.05	1.55 ± 0.05	1.55 ± 0.05
D1	1.00 ± 0.05	1.00 ± 0.05	1.00 ± 0.05
P0	4.00 ± 0.10	4.00 ± 0.10	4.00 ± 0.10
10P0	40.0 ± 0.20	40.0 ± 0.20	40.0 ± 0.20
P2	2.00 ± 0.10	2.00 ± 0.10	2.00 ± 0.10
A0	1.40 ± 0.10	1.80 ± 0.10	2.25 ± 0.10
B0	2.30 ± 0.10	2.20 ± 0.10	2.80 ± 0.10
Ko(T)	1.13 ± 0.10	1.15 ± 0.10	1.35 ± 0.10
t	0.22 ± 0.05	0.22 ± 0.05	0.22 ± 0.05

■ Reel Dimensions



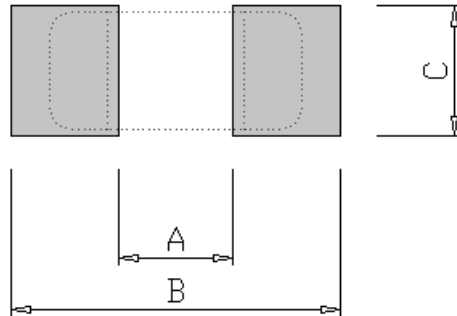
7" Reel Packaging Quantity			
PART SIZE (EIA SIZE)	2012 (0805)	2016 (0806)	2520 (1008)
Qty.(pcs)	3,000	3,000	3,000
BOX	5 reels / inner box	5 reels / inner box	5 reels / inner box

■ Recommended Soldering Conditions



■ Land Patterns for Reflow Soldering

Solder land information :



Size(mm)	A	B	C
2012	1.0 ~ 1.2	3.0 ~ 4.0	0.8 ~ 1.1
2016	1.0 ~ 1.2	3.0 ~ 4.0	1.0 ~ 1.5
2520	1.2~1.5	3.5~4.0	1.5~2.0

■ Reliability and Test Condition

Test item	Test condition	Criteria
Resistance to Solder Heat	<ol style="list-style-type: none"> Solder temperature : $260 \pm 5^{\circ}\text{C}$ Flux : Rosin DIP time : 10 ± 1 sec 	<ol style="list-style-type: none"> More than 95 % of terminal electrode should be covered with new solder No mechanical damage Inductance value should be within ± 20 % of the initial value <p>* Apply DC 0.4 ~ 0.6A to chip for 1 ~ 3 sec. before to measure inductance.</p>
Solderability	<ol style="list-style-type: none"> Solder temperature : $235 \pm 5^{\circ}\text{C}$ Flux : Rosin DIP time : 5 ± 1 sec 	<ol style="list-style-type: none"> More than 95 % of terminal electrode should be covered with new solder No mechanical damage

Test item	Test condition	Criteria
Adhesive Test	1. Reflow temperature : 245°C It shall be Soldered on the substrate applying direction parallel to the substrate 2. Apply force(F) : 5 N 3. Test time : 10 sec	1. No mechanical damage 2. Soldering the products on PCB after the pulling test force > 5 N
Temperature Cycle	1. Temperature:-40 ~ 85°C For 30 minutes each 2. Cycle: 100 cycles 3. Measurement:At ambient temperature 24 hours after test completion	1. No mechanical damage 2. Inductance should be within $\pm 20\%$ of the initial value * Apply DC 0.4 ~ 0.6A to chip for 1 ~ 3 sec. before to measure inductance.
High Temperature Resistance	1. Temperature: 85 \pm 5°C 2. Testing time: 1000 hrs 3. Measurement: at ambient temperature 24 hours after test completion	1. No mechanical damage 2. Inductance should be within $\pm 20\%$ of the initial value * Apply DC 0.4 ~ 0.6A to chip for 1 ~ 3 sec. before to measure inductance.
Humidity	1. Temperature: 40°C \pm 2°C 2. Humidity: 90-95 % RH 3. Testing time: 1000 hrs 4. Measurement:At ambient temperature 24 hours after test completion	1. No mechanical damage 2. Inductance should be within $\pm 20\%$ of the initial value * Apply DC 0.4 ~ 0.6A to chip for 1 ~ 3 sec. before to measure inductance.
Rated Current	At ambient temperature & humidity Testing time:5 minutes (under full rated current)	MIP product surface temp : below room temperature plus 40°C

■ General Technical Data

Operating temperature range : - 40°C ~ +85°C

Storage Condition : Less than 40°C and 70% RH

Storage Time : 12 months Max.

Soldering method : Reflow

X-ON Electronics

Largest Supplier of Electrical and Electronic Components

Click to view similar products for [Fixed Inductors](#) category:

Click to view products by [Inpaq](#) manufacturer:

Other Similar products are found below :

[CR32NP-151KC](#) [CR32NP-180KC](#) [CR32NP-181KC](#) [CR32NP-1R5MC](#) [CR32NP-390KC](#) [CR32NP-3R9MC](#) [CR32NP-680KC](#) [CR32NP-820KC](#) [CR32NP-8R2MC](#) [CR43NP-390KC](#) [CR43NP-560KC](#) [CR43NP-680KC](#) [CR54NP-181KC](#) [CR54NP-470LC](#) [CR54NP-820KC](#) [CR54NP-8R5MC](#) [70F224AI](#) [MGDQ4-00004-P](#) [MHL1ECTTP18NJ](#) [MHQ1005P10NJ](#) [MHQ1005P1N0S](#) [MHQ1005P2N4S](#) [MHQ1005P3N6S](#) [MHQ1005P5N1S](#) [MHQ1005P8N2J](#) [PE-51506NL](#) [PE-53601NL](#) [PE-53602NL](#) [PE-53630NL](#) [PE-53824SNLT](#) [PE-92100NL](#) [PG0434.801NLT](#) [PG0936.113NLT](#) [9220-20](#) [9310-16](#) [PM06-2N7](#) [PM06-39NJ](#) [A01TK](#) [1206CS-471XJ](#) [HC2LP-R47-R](#) [HC2-R47-R](#) [HC3-2R2-R](#) [HCF1305-3R3-R](#) [1206CS-151XG](#) [RCH664NP-140L](#) [RCH664NP-4R7M](#) [RCH8011NP-221L](#) [RCP1317NP-332L](#) [RCP1317NP-391L](#) [RCR1010NP-470M](#)