



Cortina Systems® LXT972M Single-Port 10/100 Mbps PHY Transceiver

Datasheet

The Cortina Systems® LXT972M Single-Port 10/100 Mbps PHY Transceiver (LXT972M PHY) directly supports both 100BASE-TX and 10BASE-T applications. The LXT972M PHY is IEEE compliant and provides a Media Independent Interface (MII) for easy attachment to 10/100 Media Access Controllers (MACs). The LXT972M PHY supports full-duplex operation at 10 Mbps and 100 Mbps. Operating conditions for the LXT972M PHY can be set using auto-negotiation, parallel detection, or manual control. The LXT972M PHY is fabricated with an advanced CMOS process and requires only a single 2.5/3.3 V power supply.

Applications

- Combination 10BASE-T/100BASE-TX Network Interface Cards (NICs)
- Wireless access points
- Network printers
- 10/100 Mbps PCMCIA cards
- Cable Modems and Set-Top Boxes

Product Features

- 3.3 V Operation
 - Low power consumption (300 mW typical)
 - 10BASE-T and 100BASE-TX using a single RJ-45 connection
 - IEEE 802.3-compliant 10BASE-T or 100BASE-TX ports with integrated filters
 - Auto-negotiation and parallel detection
 - MII interface with extended register capability
 - Robust baseline wander correction
 - Carrier Sense Multiple Access / Collision Detection (CSMA/CD) or full-duplex operation
 - JTAG boundary scan
 - MDIO serial port or hardware pin configurable
 - Integrated, programmable LED drivers
 - 48-pin Low-profile Quad Flat Package
-

INFORMATION IN THIS DOCUMENT IS PROVIDED IN CONNECTION WITH CORTINA SYSTEMS[®] PRODUCTS. NO LICENSE, EXPRESS OR IMPLIED, BY ESTOPPEL OR OTHERWISE, TO ANY INTELLECTUAL PROPERTY RIGHTS IS GRANTED BY THIS DOCUMENT.

EXCEPT AS PROVIDED IN CORTINA'S TERMS AND CONDITIONS OF SALE OF SUCH PRODUCTS, CORTINA ASSUMES NO LIABILITY WHATSOEVER, AND CORTINA DISCLAIMS ANY EXPRESS OR IMPLIED WARRANTY RELATING TO THE SALE AND/OR USE OF CORTINA PRODUCTS, INCLUDING LIABILITY OR WARRANTIES RELATING TO FITNESS FOR A PARTICULAR PURPOSE, MERCHANTABILITY OR INFRINGEMENT OF ANY PATENT, COPYRIGHT OR OTHER INTELLECTUAL PROPERTY RIGHT.

Cortina products are not intended for use in medical, life saving, life sustaining, critical control or safety systems, or in nuclear facility applications.

Cortina Systems[®] and the Cortina Systems logo are the trademarks or registered trademarks of Cortina Systems, Inc. and its subsidiaries in the U.S. and other countries. Other names and brands may be claimed as the property of others.

Copyright © 2001–2007 Cortina Systems, Inc. All rights reserved.

Contents

1.0	Introduction to This Document	10
1.1	Document Overview	10
1.2	Related Documents	10
2.0	Block Diagram	11
3.0	Ball and Pin Assignments	12
4.0	Signal Descriptions	16
5.0	Functional Description.....	21
5.1	Device Overview	21
5.1.1	Comprehensive Functionality	21
5.1.2	Optimal Signal Processing Architecture.....	21
5.2	Network Media / Protocol Support	22
5.2.1	10/100 Network Interface.....	22
5.2.2	MII Data Interface	23
5.2.3	Configuration Management Interface	23
5.3	Operating Requirements.....	25
5.3.1	Power Requirements	25
5.3.2	Clock Requirements	25
5.4	Initialization	25
5.4.1	MDIO Control Mode and Hardware Control Mode.....	27
5.4.2	Reduced-Power Modes	27
5.4.3	Reset	27
5.4.4	Hardware Configuration Settings	28
5.5	Establishing Link.....	28
5.5.1	Auto-Negotiation	29
5.5.2	Parallel Detection.....	30
5.6	MII Operation	30
5.6.1	MII Clocks	31
5.6.2	Transmit Enable.....	32
5.6.3	Receive Data Valid	32
5.6.4	Carrier Sense.....	33
5.6.5	Error Signals	33
5.6.6	Collision	33
5.6.7	Loopback	33
5.7	100 Mbps Operation	35
5.7.1	100BASE-X Network Operations	35
5.7.2	Collision Indication.....	37
5.7.3	100BASE-X Protocol Sublayer Operations.....	38
5.8	10 Mbps Operation	42
5.8.1	10BASE-T Preamble Handling	42
5.8.2	10BASE-T Carrier Sense.....	42
5.8.3	10BASE-T Dribble Bits	42
5.8.4	10BASE-T Link Integrity Test	42
5.8.5	Link Failure	43
5.8.6	10BASE-T SQE (Heartbeat).....	43
5.8.7	10BASE-T Jabber.....	43

5.8.8	10BASE-T Polarity Correction	43
5.9	Monitoring Operations	43
5.9.1	Monitoring Auto-Negotiation	43
5.9.2	Monitoring Next Page Exchange	44
5.9.3	LED Functions	44
5.9.4	LED Pulse Stretching	44
5.10	Boundary Scan (JTAG 1149.1) Functions	45
5.10.1	Boundary Scan Interface	45
5.10.2	State Machine	45
5.10.3	Instruction Register	45
5.10.4	Boundary Scan Register	46
5.10.5	Device ID Register	46
6.0	Application Information	47
6.1	Magnetics Information	47
6.2	Typical Twisted-Pair Interface	47
7.0	Electrical Specifications	51
7.1	DC Electrical Parameters	51
7.2	AC Timing Diagrams and Parameters	54
8.0	Register Definitions - IEEE Base Registers	64
9.0	Register Definitions - Product-Specific Registers	72
10.0	Package Specifications.....	80

Figures

1	Block Diagram	11
2	48-Pin LQFP Package: Pin Assignments	13
3	Management Interface Read Frame Structure	24
4	Management Interface Write Frame Structure	24
5	Initialization Sequence	26
6	Link Establishment Overview	29
7	Clocking for 10BASE-T	31
8	Clocking for 100BASE-X	32
9	Clocking for Link Down Clock Transition	32
10	Loopback Paths	34
11	100BASE-X Frame Format	35
12	100BASE-TX Data Path	36
13	100BASE-TX Reception with No Errors	36
14	100BASE-TX Reception with Invalid Symbol	37
15	100BASE-TX Transmission with No Errors	37
16	100BASE-TX Transmission with Collision	37
17	Protocol Sublayers	38
18	LED Pulse Stretching	45
19	Typical Twisted-Pair Interface - Switch	48
20	Typical Twisted-Pair Interface - NIC	49
21	Typical Media Independent Interface	50
22	100BASE-TX Receive Timing	55
23	100BASE-TX Transmit Timing	56
24	10BASE-T Receive Timing	57
25	10BASE-T Transmit Timing	58
26	10BASE-T Jabber and Unjabber Timing	59
27	10BASE-T SQE (Heartbeat) Timing	59
28	Auto-Negotiation and Fast Link Pulse Timing	60
29	Fast Link Pulse Timing	60
30	MDIO Input Timing	61
31	MDIO Output Timing	61
32	Power-Up Timing	62
33	RESET_L Pulse Width and Recovery Timing	62
34	PHY Identifier Bit Mapping	67
35	LQFP Package Specifications	80

Tables

1	Related Documents	10
2	PHY Signal Types	12
3	LQFP Numeric Pin List	13
4	PHY Signal Types	16
5	LXT972M: MII Data Interface Signal Descriptions.....	17
6	LXT972M: MII Controller Interface Signal Descriptions.....	18
7	LXT972M: Network Interface Signal Descriptions	18
8	LXT972M: Standard Bus and Interface Signal Descriptions	18
9	LXT972M: Configuration and LED Driver Signal Descriptions	18
10	LXT972M: Power, Ground, No-Connect Signal Descriptions	19
11	LXT972M: JTAG Test Signal Descriptions	19
12	LXT972M: Pin Types and Modes	20
13	PHY Device Address Selections	24
14	Hardware Configuration Settings.....	28
15	Carrier Sense, Loopback, and Collision Conditions	33
16	4B/5B Coding	39
17	BSR Mode of Operation	46
18	Device ID Register.....	46
19	Magnetics Requirements.....	47
20	I/O Pin Comparison of NIC and Switch RJ-45 Setups.....	47
21	Absolute Maximum Ratings.....	51
22	Recommended Operating Conditions	51
23	Digital I/O Characteristics (Except for MII, XI/XO, and LED/CFG Pins)	52
24	Digital I/O Characteristics ¹ - MII Pins	52
25	I/O Characteristics - REFCLK/XI and XO Pins	53
26	I/O Characteristics - LED/CFG Pins	53
27	100BASE-TX PHY Characteristics	53
28	10BASE-T PHY Characteristics	54
29	10BASE-T Link Integrity Timing Characteristics.....	54
30	Thermal Characteristics.....	54
31	100BASE-TX Receive Timing Parameters - 4B Mode	56
32	10BASE-T Receive Timing Parameters	57
33	10BASE-T Jabber and Unjabber Timing	59
34	PHY 10BASE-T SQE (Heartbeat) Timing.....	59
35	Auto-Negotiation and Fast Link Pulse Timing Parameters.....	60
36	MDIO Timing	61
37	Power-Up Timing.....	62
38	RESET_L Pulse Width and Recovery Timing	63
39	Register Set for IEEE Base Registers	64
40	Control Register - Address 0, Hex 0.....	65
41	MII Status Register #1 - Address 1, Hex 1	66
42	PHY Identification Register 1 - Address 2, Hex 2.....	67
43	PHY Identification Register 2 - Address 3, Hex 3.....	67
44	Auto-Negotiation Advertisement Register - Address 4, Hex 4.....	68
45	Auto-Negotiation Link Partner Base Page Ability Register - Address 5, Hex 5.....	69
46	Auto-Negotiation Expansion - Address 6, Hex 6	70
47	Auto-Negotiation Next Page Transmit Register - Address 7, Hex 7.....	70
48	Auto-Negotiation Link Partner Next Page Receive Register - Address 8, Hex 8	71

49	Register Set for Product-Specific Registers	72
50	Configuration Register - Address 16, Hex 10	72
51	Status Register #2 - Address 17, Hex 11	73
52	Interrupt Enable Register - Address 18, Hex 12	75
53	Status Change Register - Address 19, Hex 13	75
54	LED Configuration Register - Address 20, Hex 14	77
55	Digital Configuration Register - Address 26, Hex 1A	78
56	Transmit Control Register - Address 30, Hex 1E	79

Revision History

Revision 5.2 Revision Date: 13 September 2007
<ul style="list-style-type: none">Removed outdated Figure 3: 64-Pin Pb-Free LQFP Package: Pins AssignmentsRemoved the ordering information. This information is now available from www.cortina-systems.com.
Revision 5.1 Revision Date: 23 July 2007
Added Section 10.0, Package Specifications back into Datasheet.
Revision 5.0 Revision Date: 2 July 2007
First release of this document from Cortina Systems, Inc.
Revision 004 Revision Date: 01 January 2007
Internal release. No changes.
Revision 003 Revision Date: 14 July 2004
Figure 3, LXT972M Transceiver Block Diagram - Deleted ECL Driver from figure.
Section 5.1, Device Overview - Text changed.
Section 5.2.1.1, Twisted-Pair Interface - Added text on MDI crossover.
Section 5.2.1.5, Remote Fault Detection and Reporting - Text changed.
Section 5.3.2.1, External Crystal/Oscillator - Text changed.
Table 37, Hardware Configuration Settings for Cortina Systems® LXT977 Transceiver - Bit value for 0.8 changed.
Section 5.5.2, Parallel Detection - Text changed.
Section 5.6.2, Transmit Enable - Text changed.
Section 5.6.4, Carrier Sense - Text changed.
Section 5.7.3.1.1, Preamble Handling - Text changed.
Section 5.7.3.2.1, Link - Added text.
Section 5.7.3.2.2, Link Failure Override - Added text.
Section 5.7.3.2.4, Receive Data Valid - Text changed.
Section 5.7.3.3.2, Polarity Correction - Text changed.
Section 5.9.4, LED Pulse Stretching - Text changed.
Table 123, Auto-Negotiation Next Page Transmit Register - Address 7, Hex 7 - Bits 7.10:0 and 7.13 changed.
Table 124, Auto-Negotiation Link Partner Next Page Receive Register - Address 8, Hex 8 - Bits 8.18 and 8.10:0 changed.
Table 131, LED Configuration Register - Address 20, Hex 14 - Bit 20.0 changed.
Revision 002 Revision Date: 14 July 2004
Text changed.
Figure 3, LXT972M Transceiver Block Diagram - Deleted ECL Driver from figure.
Section 5.1, Device Overview - Text changed.

Revision 002 Revision Date: 14 July 2004
Section 5.2.1.1, <i>Twisted-Pair Interface</i> - Added text on MDI crossover.
Section 5.2.1.5, <i>Comment: for LXT972A/972M/977-->Remote Fault Detection and Reporting</i> - Text changed.
Section 5.3.2.1, <i>External Crystal/Oscillator</i> - Text changed.
Table 37, <i>Hardware Configuration Settings for Cortina Systems® LXT977 Transceiver</i> - Bit value for 0.8 changed.
Section 5.5.2, <i>Parallel Detection</i> - Text changed.
Section 5.6.2, <i>Transmit Enable</i> - Text changed.
Section 5.6.4, <i>Carrier Sense</i> - Text changed.
Section 5.7.3.1.1, <i>Preamble Handling</i> - Text changed.
Section 5.7.3.2.1, <i>Link</i> - Added text.
Section 5.7.3.2.2, <i>Link Failure Override</i> - Added text.
Section 5.7.3.2.4, <i>Receive Data Valid</i> - Text changed.
Section 5.7.3.3.2, <i>Polarity Correction</i> - Text changed.
Section 5.9.4, <i>LED Pulse Stretching</i> - Text changed.
Table 123, <i>Auto-Negotiation Next Page Transmit Register - Address 7, Hex 7</i> - Bits 7.10:0 and 7.13 changed.
Table 124, <i>Auto-Negotiation Link Partner Next Page Receive Register - Address 8, Hex 8</i> - Bits 8.18 and 8.10:0 changed.
Table 131, <i>LED Configuration Register - Address 20, Hex 14</i> - Bit 20.0 changed.

Revision 001 Revision Date: 02 July 2004
Initial release of this document.

1.0 Introduction to This Document

This document includes information on the Cortina Systems® LXT972M Single-Port 10/100 Mbps PHY Transceiver (LXT972M PHY).

1.1 Document Overview

This document includes the following subjects:

2.0, Block Diagram, on page 11

3.0, Ball and Pin Assignments, on page 12

4.0, Signal Descriptions, on page 16

5.0, Functional Description, on page 21

6.0, Application Information, on page 47

7.0, Electrical Specifications, on page 51

8.0, Register Definitions - IEEE Base Registers, on page 64

9.0, Register Definitions - Product-Specific Registers, on page 72

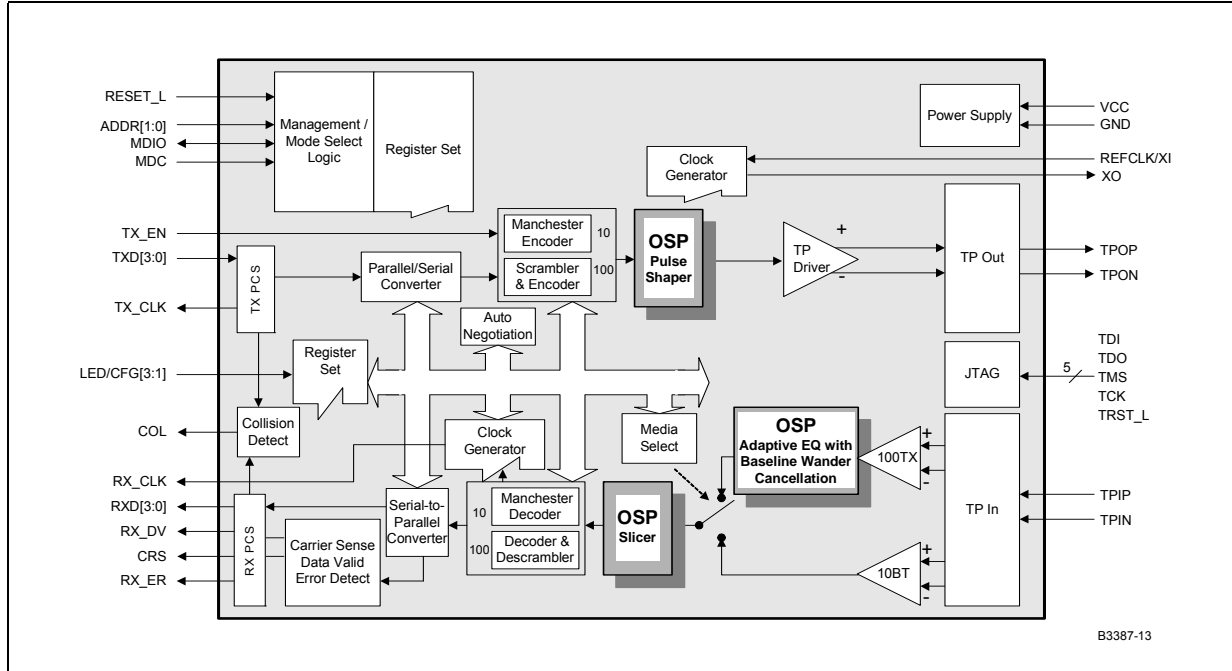
1.2 Related Documents

Table 1 Related Documents

Document Title	Document Number
Cortina Systems® LXT971A, LXT972A, LXT972M Single-Port 10/100 Mbps PHY Specification Update	249354
Cortina Systems® LXT971A, LXT972A, and LXT972M 3.3 V PHY Design and Layout Guide - Application Note	249016
Magnetic Manufacturers for Networking Product Applications - Application Note	248991

2.0 Block Diagram

Figure 1 Block Diagram



3.0 Ball and Pin Assignments

See the following diagrams for signal placement:

- [Figure 2, 48-Pin LQFP Package: Pin Assignments, on page 13](#)

See the following tables for signal lists:

- [Table 3, LQFP Numeric Pin List, on page 13](#)

Note: [Table 2](#) list the signal type abbreviations used in the signal tables.

Table 2 PHY Signal Types

Abbreviation	Definition
AI	Analog Input
AO	Analog Output
I	Input
I/O	Input/Output
O	Output
OD	Open Drain

Figure 2 48-Pin LQFP Package: Pin Assignments

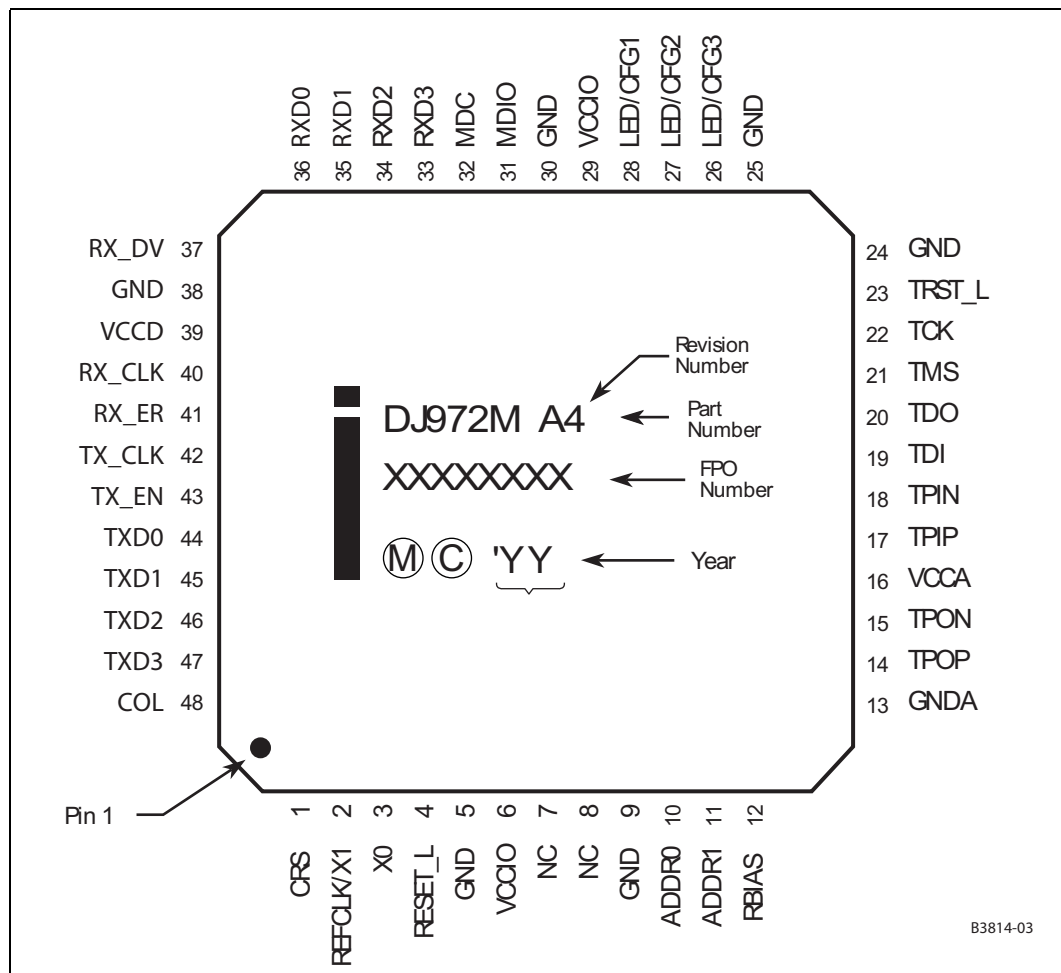


Table 3 LQFP Numeric Pin List (Sheet 1 of 2)

Pin	Symbol	Type
1	CRS	O
2	REFCLK/XI	AI
3	XO	AO
4	RESET_L	I
5	GND	-
6	VCCIO	-
7	NC	-
8	NC	-
9	GND	-
10	ADDR0	I

Table 3 LQFP Numeric Pin List (Sheet 2 of 2)

Pin	Symbol	Type
11	ADDR1	I
12	RBIAS	AI
13	GND	–
14	TPOP	AO
15	TPON	AO
16	VCCA	–
17	TPIP	AI
18	TPIN	AI
19	TDI	I
20	TDO	O
21	TMS	I
22	TCK	I
23	TRST_L	I
24	GND	–
25	GND	–
26	LED/CFG3	I/O
27	LED/CFG2	I/O
28	LED/CFG1	I/O
29	VCCIO	–
30	GND	–
31	MDIO	I/O
32	MDC	I
33	RXD3	O
34	RXD2	O
35	RXD1	O
36	RXD0	O
37	RX_DV	O
38	GND	–
39	VCCD	–
40	RX_CLK	O
41	RX_ER	O
42	TX_CLK	O
43	TX_EN	I
44	TXD0	I
45	TXD1	I
46	TXD2	I
47	TXD3	I
48	COL	O



4.0 Signal Descriptions

Cortina recommends the following configurations for unused pins:

- **Unused inputs.** Configure all unused inputs and unused multi-function pins for inactive states.
- **Unused outputs.** Leave all unused outputs floating.
- **No connects.** Do not use pins designated as NC (no connect), and do not terminate them.

Note: Table 4 list the signal type abbreviations used in the signal tables.

Table 4 PHY Signal Types

Abbreviation	Definition
AI	Analog Input
AO	Analog Output
I	Input
I/O	Input/Output
O	Output
OD	Open Drain

Tables in this section include the following:

- Table 5, *LXT972M: MII Data Interface Signal Descriptions*, on page 17
- Table 6, *LXT972M: MII Controller Interface Signal Descriptions*, on page 18
- Table 7, *LXT972M: Network Interface Signal Descriptions*, on page 18
- Table 8, *LXT972M: Standard Bus and Interface Signal Descriptions*, on page 18
- Table 9, *LXT972M: Configuration and LED Driver Signal Descriptions*, on page 18
- Table 10, *LXT972M: Power, Ground, No-Connect Signal Descriptions*, on page 19
- Table 11, *LXT972M: JTAG Test Signal Descriptions*, on page 19
- Table 12, *LXT972M: Pin Types and Modes*, on page 20

Table 5 LXT972M: MII Data Interface Signal Descriptions

LQFP Pin#	Symbol	Type	Signal Description
47 46 45 44	TXD3 TXD2 TXD1 TXD0	I	Transmit Data. TXD is a group of parallel data signals that are driven by the MAC. TXD[3:0] transition synchronously with respect to TX_CLK. TXD[0] is the least-significant bit.
43	TX_EN	I	Transmit Enable. The MAC asserts this signal when it drives valid data on TXD. This signal must be synchronized to TX_CLK.
42	TX_CLK	O	Transmit Clock. TX_CLK is sourced by the PHY in both 10 and 100 Mbps operations. 2.5 MHz for 10 Mbps operation 25 MHz for 100 Mbps operation.
33 34 35 36	RXD3 RXD2 RXD1 RXD0	O	Receive Data. RXD is a group of parallel signals that transition synchronously with respect to RX_CLK. RXD[0] is the least-significant bit.
37	RX_DV	O	Receive Data Valid. The LXT972M PHY asserts this signal when it drives valid data on RXD. This output is synchronous to RX_CLK.
41	RX_ER	O	Receive Error. Signals a receive error condition has occurred. This output is synchronous to RX_CLK.
40	RX_CLK	O	Receive Clock. 25 MHz for 100 Mbps operation. 2.5 MHz for 10 Mbps operation. For details, see Section 5.3.2, Clock Requirements , on page 25 in the Functional Description section.
48	COL	O	Collision Detected. The LXT972M PHY asserts this output when a collision is detected. This output remains High for the duration of the collision. This signal is asynchronous and is inactive during full- duplex operation.
1	CRS	O	Carrier Sense. During half-duplex operation (register bit 0.8 = 0), the LXT972M PHY asserts this output when either transmitting or receiving data packets. During full-duplex operation (register bit 0.8 = 1), CRS is asserted only during receive. CRS assertion is asynchronous with respect to RX_CLK. CRS is de-asserted on loss of carrier, synchronous to RX_CLK.

Table 6 LXT972M: MII Controller Interface Signal Descriptions

LQFP Pin#	Symbol	Type	Signal Description
32	MDC	I	Management Data Clock. Clock for the MDIO serial data channel. Maximum frequency is 8 MHz.
31	MDIO	I/O	Management Data Input/Output. Bidirectional serial data channel for PHY/STA communication.

Table 7 LXT972M: Network Interface Signal Descriptions

LQFP Pin#	Symbol	Type	Signal Description
14 15	TPOP TPON	AO	Twisted-Pair Outputs, Positive and Negative. During 100BASE-TX or 10BASE-T operation, TPOP/N pins drive IEEE 802.3 compliant pulses onto the line.
17 18	TPIP TPIN	AI	Twisted-Pair Inputs, Positive and Negative. During 100BASE-TX or 10BASE-T operation, TPIP/N pins receive differential 100BASE-TX or 10BASE-T signals from the line.

Table 8 LXT972M: Standard Bus and Interface Signal Descriptions

LQFP Pin#	Symbol	Type	Signal Description
10 11	ADDR0 ADDR1	I	Address. Set device address.

Table 9 LXT972M: Configuration and LED Driver Signal Descriptions (Sheet 1 of 2)

LQFP Pin#	Symbol	Type	Signal Description
Note: Implement 10 kΩ pull-up/pull-down resistors if LEDs are not used in the design.			
4	$\overline{\text{RESET_L}}$	I	Reset. This active Low input is Read with the control register Reset bit (register bit 0.15). The LXT972M PHY reset cycle is extended to 258 μs (nominal) after reset is de-asserted.

Table 9 LXT972M: Configuration and LED Driver Signal Descriptions (Sheet 2 of 2)

LQFP Pin#	Symbol	Type	Signal Description
12	RBIAS	AI	Reference Current Bias. This pin provides bias current for the internal circuitry. Must be tied to ground through a 22.1 k Ω , 1% resistor.
2 3	REFCLK/XI XO	AI and AO	Reference Clock Input / Crystal Input and Crystal Output. A 25 MHz crystal oscillator circuit can be connected across XI and XO. A clock can also be used at XI. Refer to Section 5.3.2, Clock Requirements , on page 25 in the Functional Description section.
26 27 28	LED/CFG3 LED/CFG2 LEDCFG1	I/O	LED Drivers 1-3. These pins drive LED indicators. Each LED can display one of several available status conditions as selected by the LED Configuration Register. (For details, see Table 54, LED Configuration Register - Address 20, Hex 14 , on page 77.) Configuration Inputs 1-3. These pins also provide initial configuration settings. (For details, see Table 14, Hardware Configuration Settings , on page 28.)

Table 10 LXT972M: Power, Ground, No-Connect Signal Descriptions

LQFP Pin#	Symbol	Type	Signal Description
13	GNDA	–	Analog Ground.
5, 9, 24, 25, 30, 38	GND	–	Ground Input/Output. Ground return for digital I/O circuits (VCCIO).
6, 29	VCCIO	–	MII Power. Requires either a 3.3 V or a 2.5 V supply. Must be supplied from the same source used to power the MAC on the other side of the MII. VCCIO is 3.3 V.
16	VCCA	–	Analog Power. Requires a 3.3 V power supply.
39	VCCD	–	Digital Power. Requires a 3.3 V power supply.
7, 8	NC	–	No Connection. These pins are not used and must not be terminated.

Table 11 LXT972M: JTAG Test Signal Descriptions (Sheet 1 of 2)

LQFP Pin#	Symbol	Type	Signal Description
Note: These pins do not need to be terminated if a JTAG port is not used.			
19	TDI	I	Test Data Input. Test data sampled with respect to the rising edge of TCK.
20	TDO	O	Test Data Output. Test data driven with respect to the falling edge of TCK.

Table 11 LXT972M: JTAG Test Signal Descriptions (Sheet 2 of 2)

LQFP Pin#	Symbol	Type	Signal Description
21	TMS	I	Test Mode Select.
22	TCK	I	Test Clock. Clock input for boundary scan.
23	TRST_L	I	Test Reset. This active-low test reset input is sourced by ATE.

Table 12 LXT972M: Pin Types and Modes

Modes	RXD3:0	RX_DV	Tx/Rx CLKS Output	RX_ER Output	COL Output	CRS Output	TXD3:0 Input	TX_EN Input
HWRreset	DL	DL	DH	DL	DL	DL	ID	ID
SFTPWRDN	DL	DL	Active	DL	DL	DL	ID	ID
ISOLATE	HZ with ID	HZ with ID	HZ with ID	HZ with ID	HZ with ID	HZ with ID	ID	ID
<ul style="list-style-type: none"> • DH = Driven High (Logic 1) • DL = Driven Low (Logic 0) • HZ = High Impedance • ID = Internal Pull-Down (Weak) 								

5.0 Functional Description

This chapter has the following sections:

- Section 5.1, *Device Overview*, on page 21
- Section 5.2, *Network Media / Protocol Support*, on page 22
- Section 5.3, *Operating Requirements*, on page 25
- Section 5.4, *Initialization*, on page 25
- Section 5.5, *Establishing Link*, on page 28
- Section 5.6, *MII Operation*, on page 30
- Section 5.7, *100 Mbps Operation*, on page 35
- Section 5.8, *10 Mbps Operation*, on page 42
- Section 5.9, *Monitoring Operations*, on page 43
- Section 5.10, *Boundary Scan (JTAG 1149.1) Functions*, on page 45

5.1 Device Overview

The LXT972M PHY is a single-port Fast Ethernet 10/100 PHY that supports 10 Mbps and 100 Mbps networks. It complies with applicable requirements of IEEE 802.3. It directly drives either a 100BASE-TX line or a 10BASE-T line.

5.1.1 Comprehensive Functionality

The LXT972M PHY provides a standard Media Independent Interface (MII) for 10/100 MACs. The LXT972M PHY performs all functions of the Physical Coding Sublayer (PCS) and Physical Media Attachment (PMA) sublayer as defined in the IEEE 802.3 100BASE-X standard. It also performs all functions of the Physical Media Dependent (PMD) sublayer for 100BASE-TX connections.

If the LXT972M PHY is not set for forced operation, it uses auto-negotiation/parallel detection to automatically determine line operating conditions. If the PHY device on the other side of the link supports auto-negotiation, the LXT972M PHY auto-negotiates with it using Fast Link Pulse (FLP) Bursts. If the PHY partner does not support auto-negotiation, the LXT972M PHY automatically detects the presence of either link pulses (10 Mbps PHY) or Idle symbols (100 Mbps PHY) and sets its operating conditions accordingly.

The LXT972M PHY provides half-duplex and full-duplex operation at 100 Mbps and 10 Mbps.

5.1.2 Optimal Signal Processing Architecture

The LXT972M PHY incorporates high-efficiency Optimal Signal Processing (OSP) design techniques, which combine optimal properties of digital and analog signal processing.

The receiver utilizes decision feedback equalization to increase noise and cross-talk immunity by as much as 3 dB over an ideal all-analog equalizer. Using OSP mixed-signal processing techniques in the receive equalizer avoids the quantization noise and calculation truncation errors found in traditional DSP-based receivers (typically complex DSP engines with A/D converters). This results in improved receiver noise and cross-talk performance.

The OSP signal processing scheme also requires substantially less computational logic than traditional DSP-based designs. This lowers power consumption and also reduces the logic switching noise generated by DSP engines. This logic switching noise can be a considerable source of EMI generated on the device's power supplies.

The OSP-based LXT972M PHY provides improved data recovery, EMI performance, and low power consumption.

5.2 Network Media / Protocol Support

This section includes the following:

- [Section 5.2.1, 10/100 Network Interface](#)
- [Section 5.2.2, MII Data Interface](#)
- [Section 5.2.3, Configuration Management Interface](#)

The LXT972M PHY supports both 10BASE-T and 100BASE-TX Ethernet over twisted-pair

5.2.1 10/100 Network Interface

The network interface port consists of two differential signal pairs. For specific pin assignments, see [Section 4.0, Signal Descriptions, on page 16](#).

The LXT972M PHY output drivers can generate one of the following outputs:

- 100BASE-TX
- 10BASE-T

When not transmitting data, the LXT972M PHY generates IEEE 802.3-compliant link pulses or idle code. Depending on the mode selected, input signals are decoded as one of the following:

- 100BASE-TX
- 10BASE-T

Auto-negotiation/parallel detection or manual control is used to determine the speed of this interface.

5.2.1.1 Twisted-Pair Interface

The LXT972M PHY supports either 100BASE-TX or 10BASE-T connections over 100 Ω , Category 5, Unshielded Twisted Pair (UTP) cable. When operating at 100 Mbps, the LXT972M PHY continuously transmits and receives MLT3 symbols. When not transmitting data, the LXT972M PHY generates "IDLE" symbols.

During 10 Mbps operation, Xilinx* Manchester-encoded data is exchanged. When no data is being exchanged, the line is left in an idle state. Link pulses are transmitted periodically to keep the link up.

Only a transformer, RJ-45 connector, load resistor and bypass capacitors are required to complete this interface. On the transmit side, the LXT972M PHY has an active internal termination and does not require external termination resistors. Cortina's waveshaping technology shapes the outgoing signal to help reduce the need for external EMI filters. Four slew rate settings allow the designer to match the output waveform to the magnetic

characteristics. On the receive side, the internal impedance is high enough that it has no practical effect on the external termination circuit. (For the slew rate settings, see [Table 56, Transmit Control Register - Address 30, Hex 1E, on page 79.](#))

Note: The MDIX crossover (MDIX) is supported by board design.

5.2.1.2 Remote Fault Detection and Reporting

The LXT972M PHY supports the remote fault detection and reporting mechanisms. “Remote Fault” refers to a MAC-to-MAC communication function that is transparent to PHY layer devices. It is used only during auto-negotiation, and is applicable only to twisted-pair links.

Remote Fault Detection. register bit 4.13 in the Auto-Negotiation Advertisement Register is reserved for Remote Fault indications. It is typically used when re-starting the auto-negotiation sequence to indicate to the link partner that the link is down because the advertising device detected a local fault.

When the LXT972M PHY receives a Remote Fault indication from its partner during auto-negotiation, the following occurs:

- register bit 5.13 in the Link Partner Base Page Ability Register is set.
- Remote Fault register bit 1.4 in the MII Status Register is set to pass this information to the local controller.

5.2.2 MII Data Interface

The LXT972M PHY supports a standard Media Independent Interface (MII). The MII consists of a data interface and a management interface. The MII Data Interface passes data between the LXT972M PHY and a Media Access Controller (MAC). Separate parallel buses are provided for transmit and receive. This interface operates at either 10 Mbps or 100 Mbps. The speed is set automatically, once the operating conditions of the network link have been determined. For details, see [Section 5.6, MII Operation, on page 30.](#)

Increased MII Drive Strength. A higher Media Independent Interface (MII) drive strength may be desired in some designs to drive signals over longer PCB trace lengths, or over high-capacitive loads, through multiple vias, or through a connector. The MII drive strength in the LXT972M PHY can be increased by setting register bit 26.11 through software control. Setting register bit 26.11 = 1 through the MDC/MDIO interface sets the MII pins (RXD[3:0], RX_DV, RX_CLK, RX_ER, COL, CRS, and TX_CLK) to a higher drive strength.

5.2.3 Configuration Management Interface

The LXT972M PHY provides both an MDIO interface and a reduced hardware control interface for device configuration and management.

5.2.3.1 MDIO Management Interface

MDIO management interface topics include the following:

- [Section 5.2.3.1.1, MDIO Addressing](#)
- [Section 5.2.3.1.2, MDIO Frame Structure](#)

The LXT972M PHY supports the IEEE 802.3 MII Management Interface also known as the Management Data Input/Output (MDIO) Interface. This interface allows upper-layer devices to monitor and control the state of the LXT972M PHY. The MDIO interface consists of a physical connection, a specific protocol that runs across the connection, and an internal set of addressable registers.

Some registers are required and their functions are defined by the IEEE 802.3 standard. The LXT972M PHY also supports additional registers for expanded functionality. The LXT972M PHY supports multiple internal registers, each of which is 16 bits wide. Specific register bits are referenced using an "X.Y" notation, where X is the register number (0-31) and Y is the bit number (0-15).

5.2.3.1.1 MDIO Addressing

The MDIO addressing protocol allows a controller to communicate with multiple PHYs. Pins ADDR[1:0] determine the PHY device address that is selected (see Table 13).

Table 13 PHY Device Address Selections

ADDR1 (Pin 11)	ADDR0 (Pin 10)	PHY Device Address Selected
0	0	0
0	1	1
1	0	28
1	1	29

5.2.3.1.2 MDIO Frame Structure

The physical interface consists of a data line (MDIO) and clock line (MDC). The frame structure is shown in Figure 3 and Figure 4 (Read and Write).

MDIO Interface timing is given in Section 7.0, *Electrical Specifications*.

Figure 3 Management Interface Read Frame Structure

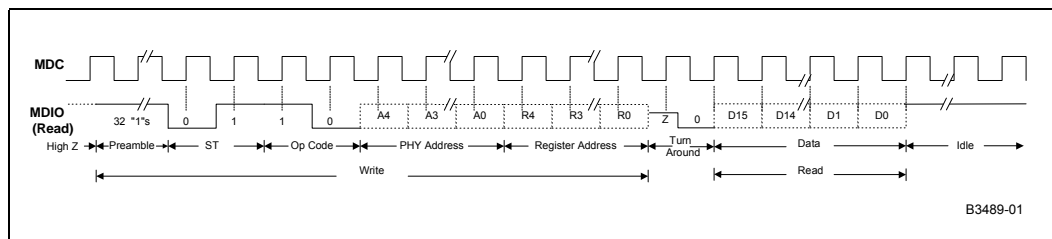
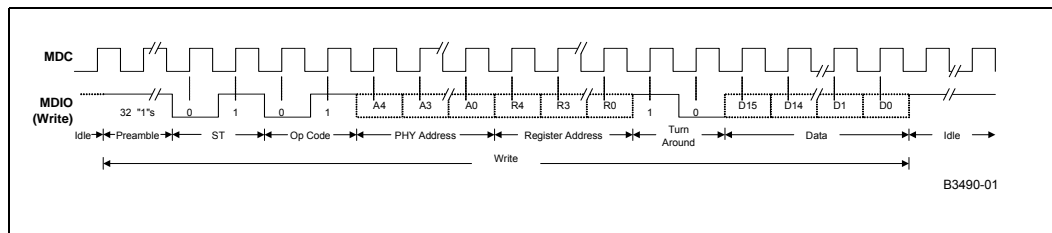


Figure 4 Management Interface Write Frame Structure



5.2.3.2 Hardware Control Interface

The LXT972M PHY provides a Hardware Control Interface for applications where the MDIO is not desired. The Hardware Control Interface uses the hardware configuration pins to set device configuration. For details, see [Section 5.4.4, Hardware Configuration Settings](#), on page 28.

5.3 Operating Requirements

5.3.1 Power Requirements

The LXT972M PHY requires three power supply inputs:

- VCCA
- VCCD
- VCCIO

The digital and analog circuits require 3.3 V supplies (VCCA and VCCD). These inputs may be supplied from a single source. Each supply input must be de-coupled to ground.

An additional supply may be used for the MII (VCCIO). The supply may be either 2.5 V or 3.3 V. Also, the inputs on the MII interface are tolerant to 5 V signals from the controller on the other side of the MII interface. For MII I/O characteristics, see [Table 24, Digital I/O Characteristics¹ - MII Pins](#), on page 52.

Notes:

1. Bring up power supplies as close to the same time as possible.
2. As a matter of good practice, keep power supplies as clean as possible.

5.3.2 Clock Requirements

5.3.2.1 External Crystal/Oscillator

The LXT972M PHY requires a reference clock input that is used to generate transmit signals and recover receive signals. It may be provided by either of two methods: by connecting a crystal across the oscillator pins (XI and XO) with load capacitors, or by connecting an external clock source to pin XI.

The connection of a clock source to the XI pin requires the XO pin to be left open. To minimize transmit jitter, Cortina recommends a crystal-based clock instead of a derived clock (that is, a PLL-based clock).

A crystal is typically used in NIC applications. An external 25 MHz clock source, rather than a crystal, is frequently used in switch applications. For clock timing requirements, see [Table 25, I/O Characteristics - REFCLK/XI and XO Pins](#), on page 53.

5.3.2.2 MDIO Clock

The MII management channel (MDIO) also requires an external clock. The managed data clock (MDC) speed is a maximum of 8 MHz.

5.4 Initialization

This section includes the following topics:

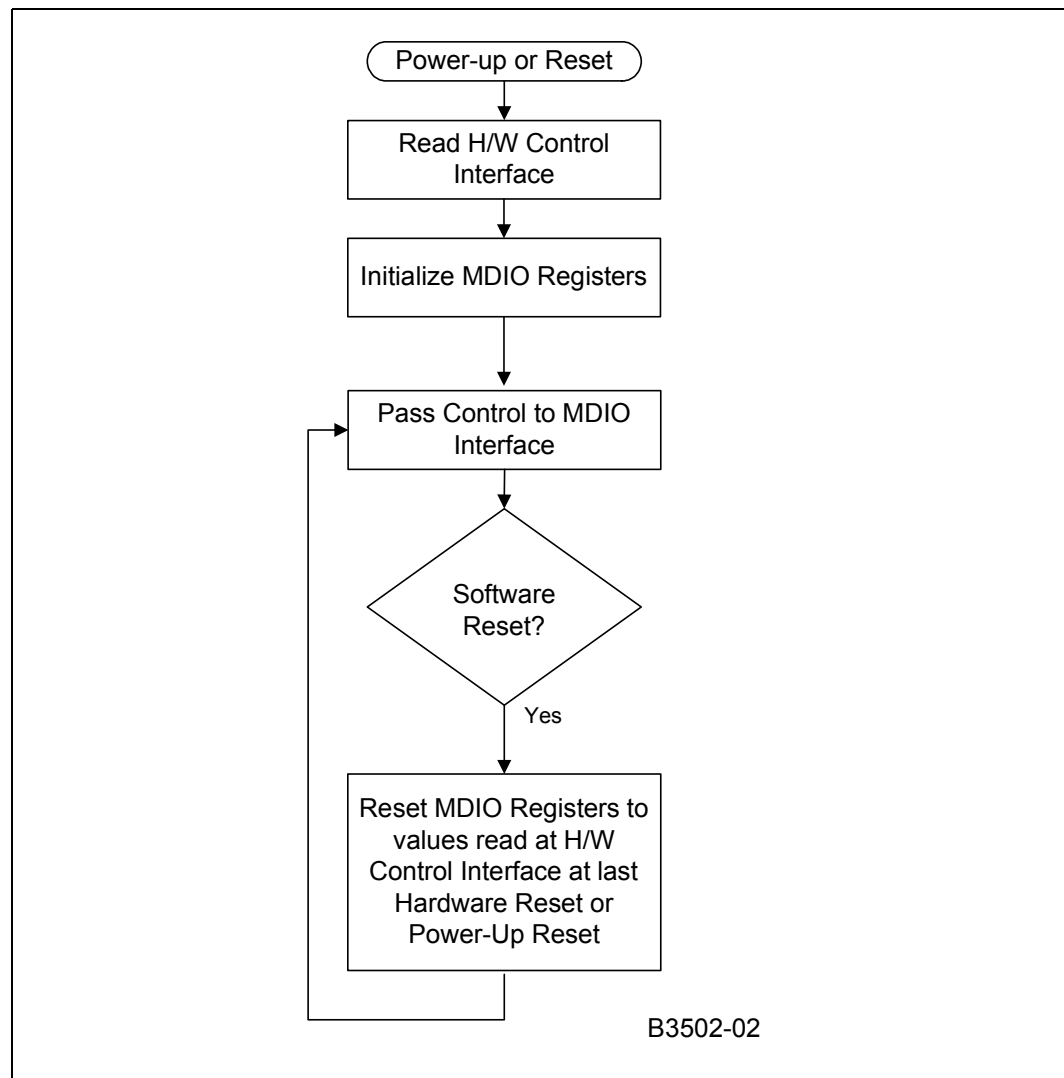
- [Section 5.4.1, MDIO Control Mode and Hardware Control Mode](#)

- [Section 5.4.2, Reduced-Power Modes](#)
- [Section 5.4.3, Reset](#)
- [Section 5.4.4, Hardware Configuration Settings](#)

When the LXT972M PHY is first powered on, reset, or encounters a link failure state, it checks the MDIO register configuration bits to determine the line speed and operating conditions to use for the network link.

[Figure 5](#) shows the LXT972M PHY initialization sequence. The configuration bits may be set by the Hardware Control or MDIO interface.

Figure 5 Initialization Sequence



5.4.1 MDIO Control Mode and Hardware Control Mode

In the MDIO Control mode, the LXT972M PHY reads the Hardware Control Interface pins to set the initial (default) values of the MDIO registers. Once the initial values are set, bit control reverts to the MDIO interface.

The following modes are available using either Hardware Control or MDIO control:

- Force network link operation to:
 - 100BASE-TX, Full-Duplex
 - 100BASE-TX, Half-Duplex
 - 10BASE-T, Full-Duplex
 - 10BASE-T, Half-Duplex
- Allow auto-negotiation/parallel-detection

On power-up or hardware reset, the LXT972M PHY reads the Hardware Control Interface pins and sets the MDIO registers accordingly.

The following modes are available using the Hardware Control:

- Auto-negotiation-enabled advertising, either:
 - 10/100 BASE-T Full/Half Duplex
 - 10/100 BASE-T Half Duplex
- Device ID enable
- Link Hold-off

When the network link is forced to a specific configuration, the LXT972M PHY immediately begins operating the network interface as commanded. When auto-negotiation is enabled, the LXT972M PHY begins the auto-negotiation/parallel-detection operation.

5.4.2 Reduced-Power Modes

This section discusses the LXT972M PHY reduced-power modes.

5.4.2.1 Software Power Down

Software power-down control is provided by register bit 0.11 in the Control Register. During soft power-down, the following conditions are true:

- The network port is shut down.
- The MDIO registers remain accessible.

5.4.3 Reset

The LXT972M PHY provides both hardware and software resets, each of which manage differently the configuration control of auto-negotiation, speed, and duplex-mode selection.

For a software reset, register bit 0.15 = 1. For register bit definitions used for software reset, see [Table 40, Control Register - Address 0, Hex 0, on page 65](#).

- During a software reset, bit settings in [Table 44, Auto-Negotiation Advertisement Register - Address 4, Hex 4, on page 68](#) are not re-read from the LXT972M PHY configuration pins. Instead, the bit settings revert to the values that were read in

during the last hardware reset. Therefore, any changes to pin values made since the last hardware reset are not detected during a software reset.

- During a software reset, registers are available for reading. To see when the LXT972M PHY has completed reset, the reset bit can be polled (that is, register bit 0.15 = 0).

For pin settings used during a hardware reset, see [Section 5.4.4, Hardware Configuration Settings](#). During a hardware reset, configuration settings for auto-negotiation and speed are read in from pins, and register information is unavailable for 1 ms after de-assertion of the reset.

5.4.4 Hardware Configuration Settings

The LXT972M PHY provides a hardware option to set the initial device configuration. As listed in [Table 14](#), the hardware option uses the hardware configuration pins, the settings for which provide control bits.

Table 14 Hardware Configuration Settings

Desired Mode			LED/CFG Pin Settings ¹			Resulting register bit Values							
						Control Register			Auto-Negotiation Advertisement Register				
Auto-Neg.	Speed (Mbps)	Duplex	1	2	3	Auto-Neg. 0.12	Speed 0.13	Full-Duplex 0.8	100 BASE-TX Full-Duplex 4.8	100 BASE-TX 4.7	10 BASE-T Full-Duplex 4.6	10 BASE-T 4.5	
Disabled	10	Half	L	L	L	0	0	0	N/A Auto-Negotiation Advertisement				
		Full	L	L	H		0	1					
	100	Half	L	H	L		1	0					
		Full	L	H	H		1	1					
Enabled	100 Only	Half	H	L	L	1	1	0	0	1	0	0	
		Full/Half	H	L	H		1	1	1	1	0	0	
	10/100	Half Only	H	H	L		1	0	0	1	0	1	
		Full or Half	H	H	H		1	1	1	1	1	1	

1. L = Low, and H = High. For LED/CFG pin assignments, see [Section 3.0, Ball and Pin Assignments](#)

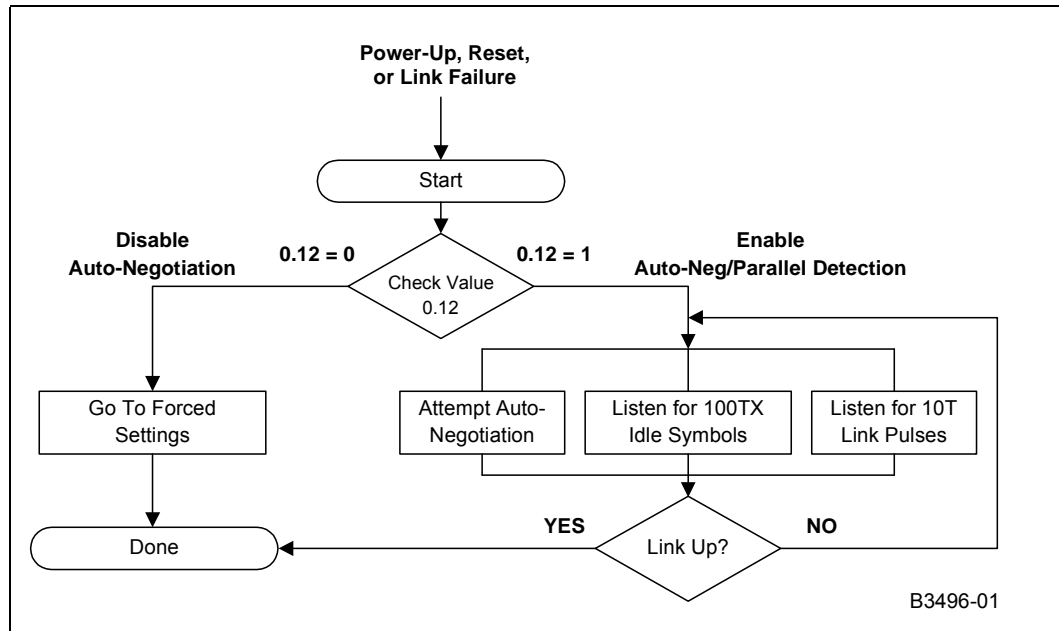
5.5 Establishing Link

[Figure 6](#) shows an overview of link establishment for the LXT972M PHY.

Note: When a link is established by using parallel detection, the LXT972M PHY sets the duplex mode to half-duplex, as defined by the IEEE 802.3 standard.

5.5.1 Auto-Negotiation

Figure 6 Link Establishment Overview



If not configured for forced operation, the LXT972M PHY attempts to auto-negotiate with its link partner by sending Fast Link Pulse (FLP) bursts. Each burst consists of up to 33 link pulses spaced 62.5 μ s apart. Odd link pulses (clock pulses) are always present. Even link pulses (data pulses) may be absent or present to indicate a ‘0’ or a ‘1’. Each FLP burst exchanges 16 bits of data, which are referred to as a “link code word”. All devices that support auto-negotiation must implement the “Base Page” defined by the IEEE 802.3 standard (Registers 4 and 5).

The LXT972M PHY also supports the optional “Next Page” function as listed in [Table 47, Auto-Negotiation Next Page Transmit Register - Address 7, Hex 7, on page 70](#) and [Table 48, Auto-Negotiation Link Partner Next Page Receive Register - Address 8, Hex 8, on page 71](#).

5.5.1.1 Base Page Exchange

By exchanging Base Pages, the LXT972M PHY and its link partner communicate their capabilities to each other. Both sides must receive at least three consecutive identical base pages for negotiation to continue. Each side identifies the highest common capabilities that both sides support, and each side configures itself accordingly.

5.5.1.2 Manual Next Page Exchange

“Next Page Exchange” information is additional information that exceeds the information required by Base Page exchange and that is sent by “Next Pages”. The LXT972M PHY fully supports the IEEE 802.3 standard method of negotiation through the Next Page exchange.

The Next Page exchange uses Register 7 to send information and Register 8 to receive it. Next Page exchange occurs only if both ends of the link partners advertise their ability to exchange Next Pages. register bit 6.1 is used to make manual next page exchange easier

for software. This register bit is cleared when a new negotiation occurs, preventing the user from reading an old value in Register 6 and assuming there is valid information in Registers 5 and 8.

5.5.1.3 Controlling Auto-Negotiation

When auto-negotiation is controlled by software, Cortina recommends the following steps:

1. After power-up, power-down, or reset, the power-down recovery time (specified in [Table 38, RESET_L Pulse Width and Recovery Timing, on page 63](#)) must be exhausted before proceeding.
2. Set the Auto-Negotiation Advertisement register bits.
3. Enable auto-negotiation. (Set MDIO register bit 0.12 = 1.)
4. To ensure proper operation, enable or restart auto-negotiation as soon as possible after writing to Register 4.

5.5.2 Parallel Detection

In parallel with auto-negotiation, the LXT972M PHY also monitors for 10 Mbps Normal Link Pulses (NLP) or 100 Mbps Idle symbols. If either symbol is detected, the device automatically reverts to the corresponding speed in half-duplex mode. Parallel detection allows the LXT972M PHY to communicate with devices that do not support auto-negotiation.

When parallel detection resolves a link, the link must be established in half-duplex mode. According to IEEE standards, the forced link partner cannot be configured to full-duplex. If the auto-negotiation link partner does not advertise half-duplex capability at the speed of the forced link partner, link is not established. The IEEE Standard prevents full-duplex-to-half-duplex link connections.

5.6 MII Operation

This section includes the following topics:

- [Section 5.6.1, MII Clocks](#)
- [Section 5.6.2, Transmit Enable](#)
- [Section 5.6.3, Receive Data Valid](#)
- [Section 5.6.4, Carrier Sense](#)
- [Section 5.6.5, Error Signals](#)
- [Section 5.6.6, Collision](#)
- [Section 5.6.7, Loopback](#)

The LXT972M PHY implements the Media Independent Interface (MII) as defined by the IEEE 802.3 standard. Separate channels are provided for transmitting data from the MAC to the LXT972M PHY (TXD), and for passing data received from the line (RXD) to the MAC. Each channel has its own clock, data bus, and control signals.

The following signals are used to pass received data to the MAC:

- COL
- CRS
- RX_CLK

- RX_DV
- RX_ER
- RXD[3:0]

The following signals are used to transmit data from the MAC:

- TX_CLK
- TX_EN
- TXD[3:0]

The LXT972M PHY supplies both clock signals as well as separate outputs for carrier sense and collision. Data transmission across the MII is normally implemented in 4-bit-wide nibbles.

5.6.1 MII Clocks

The LXT972M PHY is the master clock source for data transmission, and it supplies both MII clocks (RX_CLK and TX_CLK). It automatically sets the clock speeds to match link conditions.

- When the link is operating at 100 Mbps, the clocks are set to 25 MHz.
- When the link is operating at 10 Mbps, the clocks are set to 2.5 MHz.

Figure 7 through Figure 9 show the clock cycles for each mode.

Note: The transmit data and control signals must always be synchronized to TX_CLK by the MAC. The LXT972M PHY samples these signals on the rising edge of TX_CLK.

Figure 7 Clocking for 10BASE-T

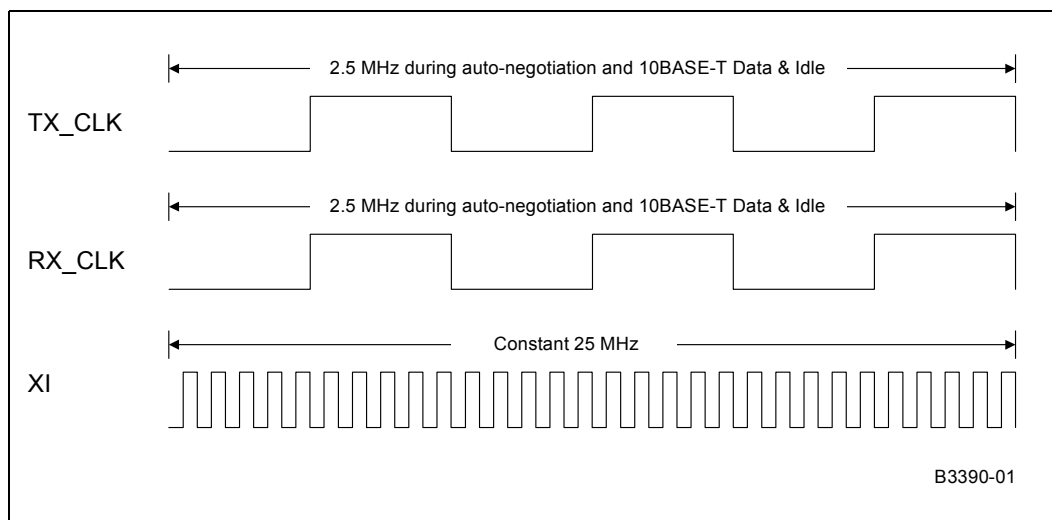


Figure 8 Clocking for 100BASE-X

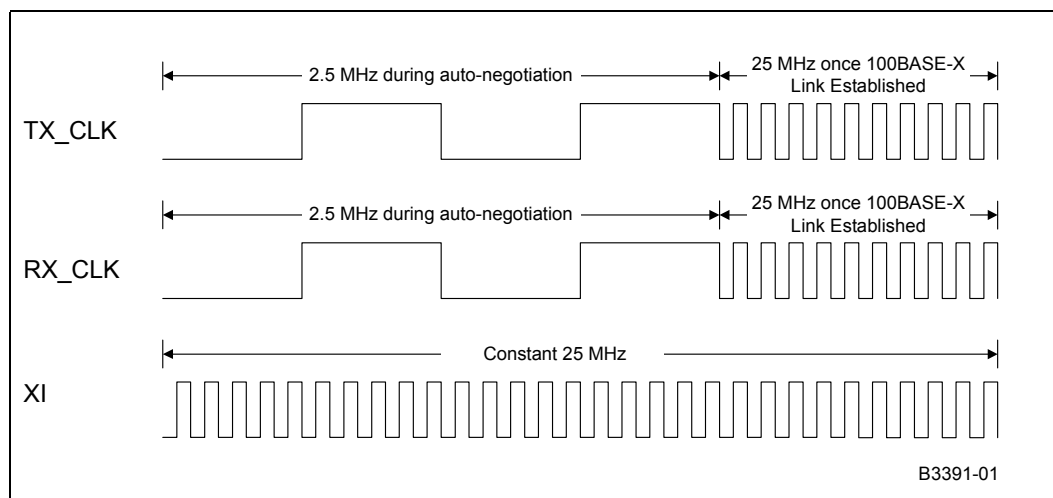
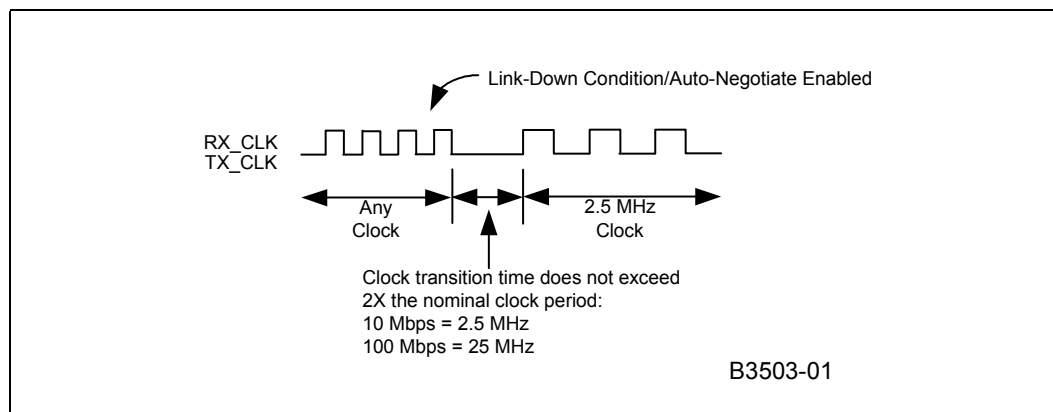


Figure 9 Clocking for Link Down Clock Transition



5.6.2 Transmit Enable

The MAC must assert TX_EN the same time as the first nibble of preamble and de-assert TX_EN after the last nibble of the packet.

5.6.3 Receive Data Valid

The LXT972M PHY asserts RX_DV when it receives a valid packet. Timing changes depend on line operating speed:

- For 100BASE-TX links, RX_DV is asserted from the first nibble of preamble to the last nibble of the data packet.
- For 10BASE-T links, the entire preamble is truncated. RX_DV is asserted with the first nibble of the Start of Frame Delimiter (SFD) "5D" and remains asserted until the end of the packet.

5.6.4 Carrier Sense

Carrier Sense (CRS) is an asynchronous output.

- CRS is always generated when the LXT972M PHY receives a packet from the line.
- CRS is also generated when the LXT972M PHY is in half-duplex mode when a packet is transmitted.

Table 15 summarizes the conditions for assertion of carrier sense, data loopback, and collision signals. Carrier sense is not generated when a packet is transmitted and in full-duplex mode.

Table 15 Carrier Sense, Loopback, and Collision Conditions

Speed	Duplex Condition	Carrier Sense	Test Loop-back ^{1, 2}	Operational Loop-back ^{1, 2}	Collision
100 Mbps	Full-Duplex	Receive Only	Yes	No	None
	Half-Duplex	Transmit or Receive	No	No	Transmit and Receive
10 Mbps	Full-Duplex	Receive Only	Yes	No	None
	Half-Duplex, register bit 16.8 = 0	Transmit or Receive	Yes	Yes	Transmit and Receive
	Half-Duplex, register bit 16.8 = 1	Transmit or Receive	No	No	Transmit and Receive

1. Test Loopback is enabled when register bit 0.14 = 1.
 2. For descriptions of Test Loopback and Operational Loopback, see Section 5.6.7, *Loopback*, on page 33.

5.6.5 Error Signals

When the LXT972M PHY is in 100 Mbps mode and receives an invalid symbol from the network, it asserts RX_ER and drives “0101” on the RXD pins.

The TX_ER function that forces ‘H’ symbols out on the TPOP/TPON twisted pair is not implemented in the LXT972M PHY.

5.6.6 Collision

The LXT972M PHY asserts its collision signal asynchronously to any clock whenever the line state is half-duplex and the transmitter and receiver are active at the same time.

Table 15 summarizes the conditions for assertion of carrier sense, data loopback, and collision signals.

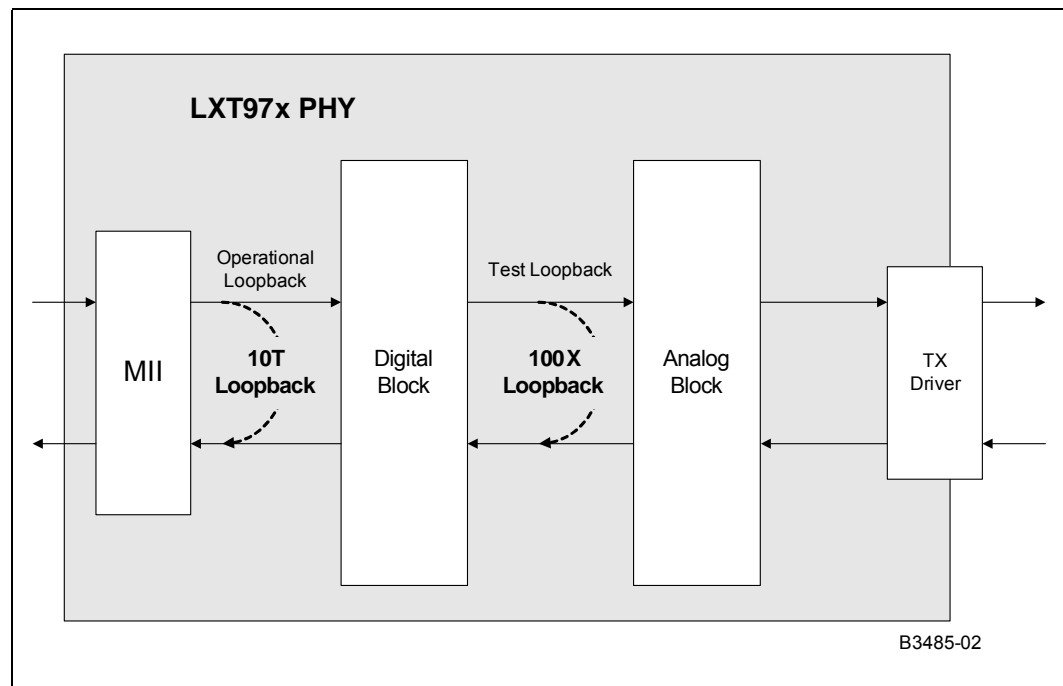
5.6.7 Loopback

The LXT972M PHY provides the following loopback functions:

- Section 5.6.7.1, *Operational Loopback*
- Section 5.6.7.2, *Internal Digital Loopback (Test Loopback)*

Figure 10 shows LXT972M PHY operational and test loopback paths. For more information on loopback functions, see Table 15, *Carrier Sense, Loopback, and Collision Conditions*, on page 33.)

Figure 10 Loopback Paths



5.6.7.1 Operational Loopback

- Operational loopback is provided for 10 Mbps half-duplex links when register bit 16.8 = 0. Data that the MAC (TXData) transmits loops back on the receive side of the MII (RXData).
- Operational loopback is not provided for 100 Mbps links, full-duplex links, or when Register 16.8 = 1.

5.6.7.2 Internal Digital Loopback (Test Loopback)

A test loopback function is provided for diagnostic testing of the LXT972M PHY. During test loopback, twisted-pair and fiber interfaces are disabled. Data transmitted by the MAC is internally looped back by the LXT972M PHY and returned to the MAC.

Test loopback is available for both 100BASE-TX and 10BASE-T operation, and is enabled by setting the following register bits:

- register bit 0.14 = 1 (Setting to enable loopback mode)
- register bit 0.8 = 1 (Setting for full-duplex mode)
- register bit 0.12 = 0 (Disable auto-negotiation)

Note: Parallel detection can resolve the PHY configuration.

5.7 100 Mbps Operation

5.7.1 100BASE-X Network Operations

During 100BASE-X operation, the LXT972M PHY transmits and receives 5-bit symbols across the network link.

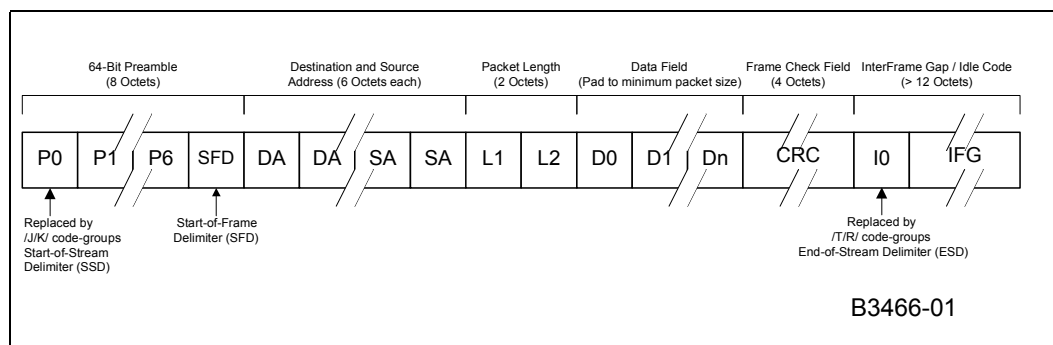
Figure 11 shows the structure of a standard frame packet in 100BASE-X mode. When the MAC is not actively transmitting data, the LXT972M PHY sends out Idle symbols on the line.

As Figure 11 shows, the MAC starts each transmission with a preamble pattern. As soon as the LXT972M PHY detects the start of preamble, it transmits a Start-of-Stream Delimiter (SSD, symbols J and K) to the network. It then encodes and transmits the rest of the packet, including the balance of the preamble, the SFD, packet data, and CRC.

Once the packet ends, the LXT972M PHY transmits the End-of-Stream Delimiter (ESD, symbols T and R) and then returns to transmitting Idle symbols.

For details on the symbols used, see 4B/5B coding listed in Table 16, *4B/5B Coding*, on page 39.

Figure 11 100BASE-X Frame Format



As shown in Figure 12, in 100BASE-TX mode, the LXT972M PHY scrambles and transmits the data to the network using MLT-3 line code. MLT-3 signals received from the network are de-scrambled, decoded, and sent across the MII to the MAC.

Figure 12 100BASE-TX Data Path

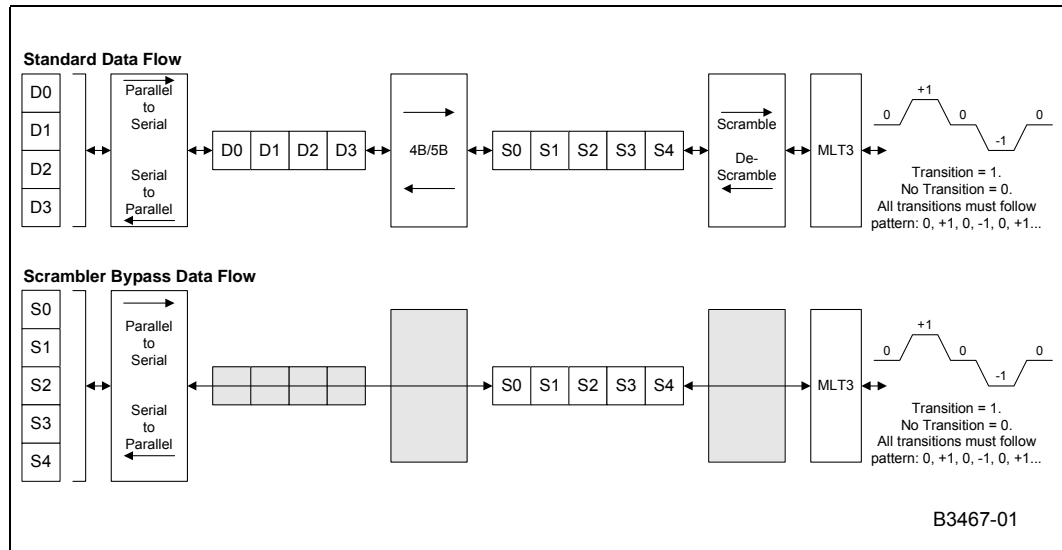
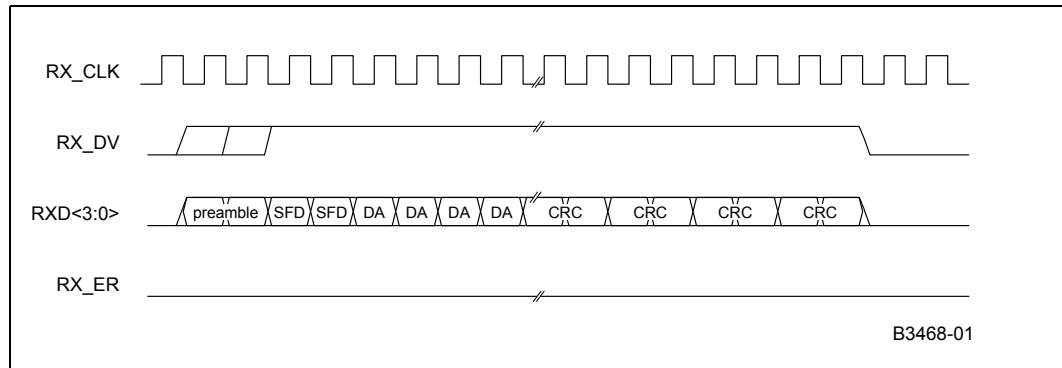


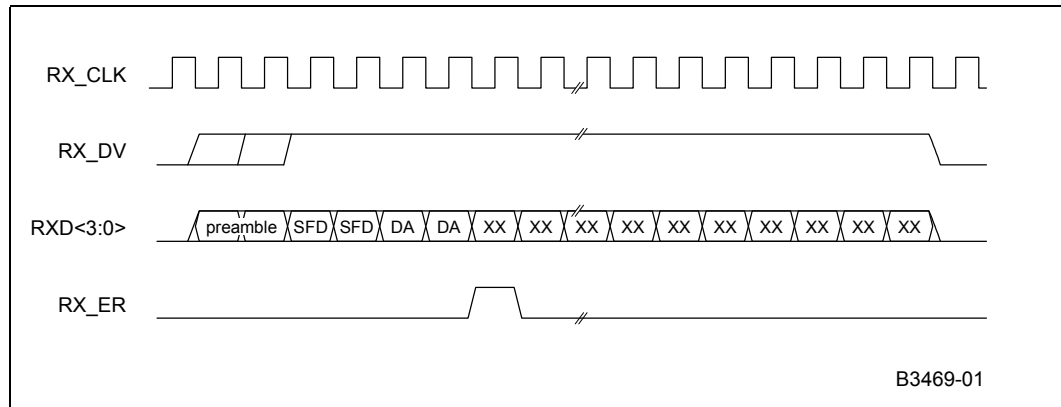
Figure 13 shows normal reception with no errors.

Figure 13 100BASE-TX Reception with No Errors



As shown in Figure 14, when the LXT972M PHY receives invalid symbols from the line, it asserts RX_ER.

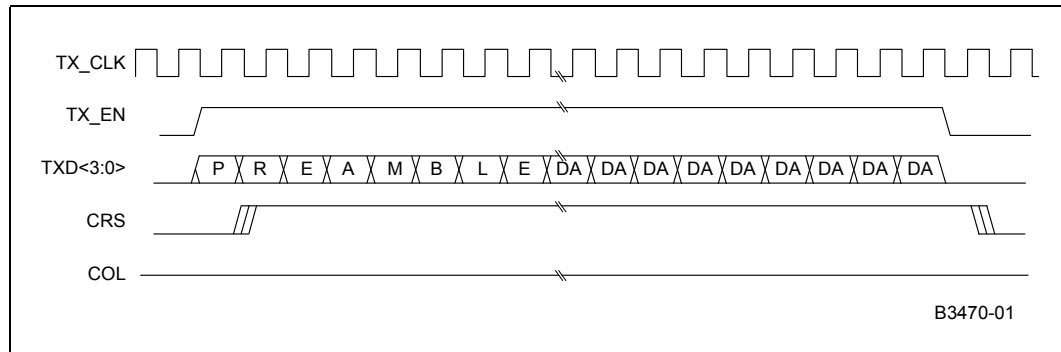
Figure 14 100BASE-TX Reception with Invalid Symbol



5.7.2 Collision Indication

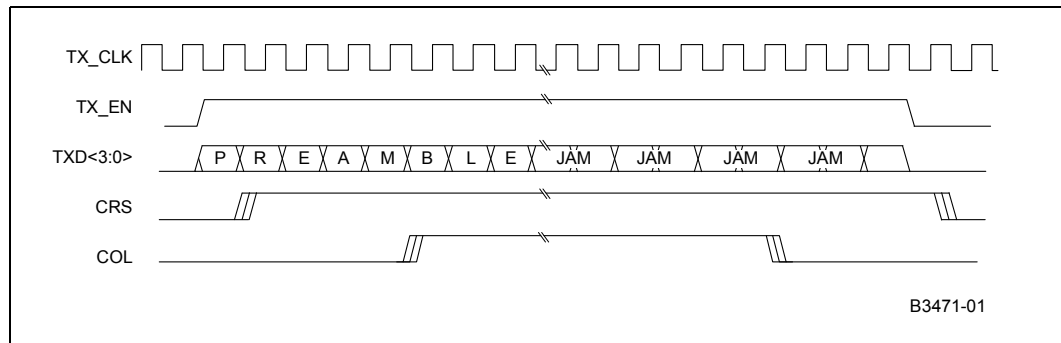
Figure 15 shows normal transmission.

Figure 15 100BASE-TX Transmission with No Errors



Upon detection of a collision, the COL output is asserted and remains asserted for the duration of the collision as shown in Figure 16.

Figure 16 100BASE-TX Transmission with Collision



5.7.3 100BASE-X Protocol Sublayer Operations

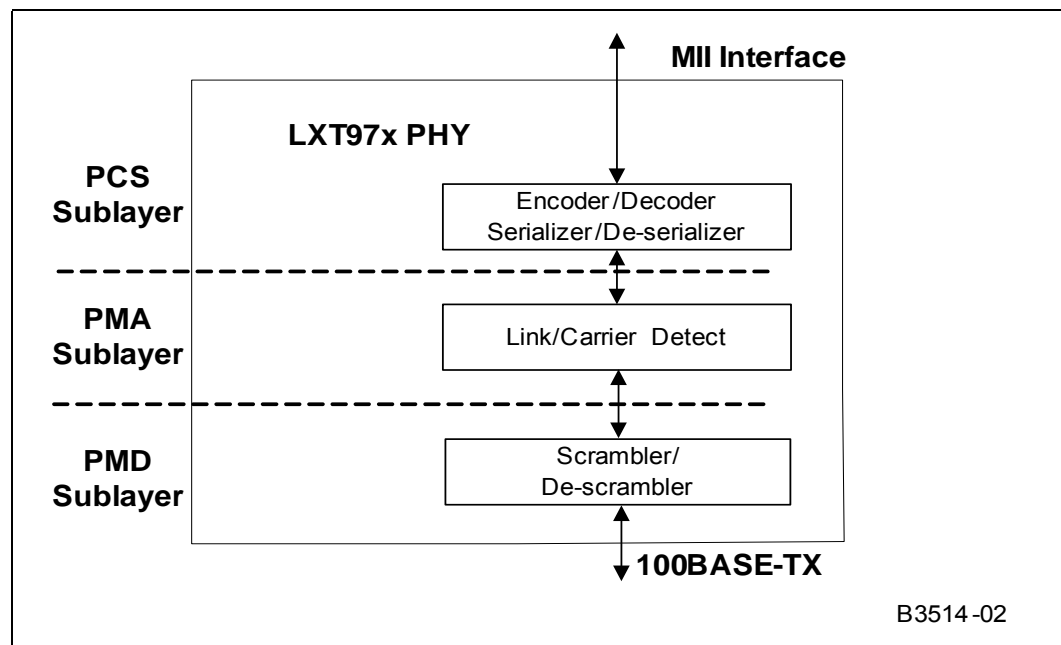
With respect to the 7-layer communications model, the LXT972M PHY is a Physical Layer 1 (PHY) device.

The LXT972M PHY implements the following sublayers of the reference model defined by the IEEE 802.3 standard, and discussed from the reference model point of view:

- Section 5.7.3.1, *Physical Coding Sublayer*
- Section 5.7.3.2, *Physical Medium Attachment Sublayer*
- Section 5.7.3.3, *Twisted-Pair Physical Medium Dependent Sublayer*

Figure 17 shows the LXT972M PHY protocol sublayers.

Figure 17 Protocol Sublayers



5.7.3.1 Physical Coding Sublayer

The Physical Coding Sublayer (PCS) provides the MII interface, as well as the 4B/5B encoding/decoding function.

For 100BASE-TX operation, the PCS layer provides IDLE symbols to the PMD-layer line driver as long as TX_EN is de-asserted.

5.7.3.1.1 Preamble Handling

When the MAC asserts TX_EN, the PCS substitutes a /J/K symbol pair, also known as the Start-of-Stream Delimiter (SSD), for the first two nibbles received across the MII. The PCS layer continues to encode the remaining MII data, following the 4B/5B coding in Table 16, until TX_EN is de-asserted. It then returns to supplying IDLE symbols to the line driver.

In the receive direction, the PCS layer performs the opposite function, substituting two preamble nibbles for the SSD. In 100 Mbps operation, preamble is always passed through the PCS layer to the MII interface.

Table 16 4B/5B Coding (Sheet 1 of 2)

Code Type	4B Code 3 2 1 0	Name	5B Code 4 3 2 1 0	Interpretation
DATA	0 0 0 0	0	1 1 1 1 0	Data 0
	0 0 0 1	1	0 1 0 0 1	Data 1
	0 0 1 0	2	1 0 1 0 0	Data 2
	0 0 1 1	3	1 0 1 0 1	Data 3
	0 1 0 0	4	0 1 0 1 0	Data 4
	0 1 0 1	5	0 1 0 1 1	Data 5
	0 1 1 0	6	0 1 1 1 0	Data 6
	0 1 1 1	7	0 1 1 1 1	Data 7
	1 0 0 0	8	1 0 0 1 0	Data 8
	1 0 0 1	9	1 0 0 1 1	Data 9
	1 0 1 0	A	1 0 1 1 0	Data A
	1 0 1 1	B	1 0 1 1 1	Data B
	1 1 0 0	C	1 1 0 1 0	Data C
	1 1 0 1	D	1 1 0 1 1	Data D
	1 1 1 0	E	1 1 1 0 0	Data E
	1 1 1 1	F	1 1 1 0 1	Data F
IDLE	undefined	I ¹	1 1 1 1 1	Used as inter-stream fill code
CONTROL	0 1 0 1	J ²	1 1 0 0 0	Start-of-Stream Delimiter (SSD), part 1 of 2
	0 1 0 1	K ²	1 0 0 0 1	Start-of-Stream Delimiter (SSD), part 2 of 2
	Undefined	T ³	0 1 1 0 1	End-of-Stream Delimiter (ESD), part 1 of 2
	Undefined	R ³	0 0 1 1 1	End-of-Stream Delimiter (ESD), part 2 of 2
1. The /I/ (Idle) code group is sent continuously between frames. 2. The /J/ and /K/ (SSD) code groups are always sent in pairs, and /K/ follows /J/. 3. The /T/ and /R/ (ESD) code groups are always sent in pairs, and /R/ follows /T/. 4. An /H/ (Error) code group is used to signal an error condition.				

Table 16 4B/5B Coding (Sheet 2 of 2)

Code Type	4B Code 3 2 1 0	Name	5B Code 4 3 2 1 0	Interpretation
INVALID	Undefined	H ⁴	0 0 1 0 0	Transmit Error. Used to force signaling errors
	Undefined	Invalid	0 0 0 0 0	Invalid
	Undefined	Invalid	0 0 0 0 1	Invalid
	Undefined	Invalid	0 0 0 1 0	Invalid
	Undefined	Invalid	0 0 0 1 1	Invalid
	Undefined	Invalid	0 0 1 0 1	Invalid
	Undefined	Invalid	0 0 1 1 0	Invalid
	Undefined	Invalid	0 1 0 0 0	Invalid
	Undefined	Invalid	0 1 1 0 0	Invalid
	Undefined	Invalid	1 0 0 0 0	Invalid
	Undefined	Invalid	1 1 0 0 1	Invalid

1. The // (Idle) code group is sent continuously between frames.
2. The /J/ and /K/ (SSD) code groups are always sent in pairs, and /K/ follows /J/.
3. The /T/ and /R/ (ESD) code groups are always sent in pairs, and /R/ follows /T/.
4. An /H/ (Error) code group is used to signal an error condition.

5.7.3.2 Physical Medium Attachment Sublayer

5.7.3.2.1 Link

In 100 Mbps mode, link is established when the descrambler becomes locked and remains locked for approximately 50 ms. Link remains up unless the descrambler receives less than 16 consecutive idle symbols in any 2 ms period. This operation filters out small noise hits that may disrupt the link.

For short periods, MLT-3 idle waveforms meet all criteria for 10BASE-T start delimiters. A working 10BASE-T receive may temporarily indicate link to 100BASE-TX waveforms. However, the PHY does not bring up a permanent 10 Mbps link.

The LXT972M PHY reports link failure through the MII status bits (register bits 1.2 and 17.10). Link failure causes the LXT972M PHY to re-negotiate if auto-negotiation is enabled.

5.7.3.2.2 Link Failure Override

The LXT972M PHY normally transmits data packets only if it detects the link is up. Setting register bit 16.14 = 1 overrides this function, allowing the LXT972M PHY to transmit data packets even when the link is down. This feature is provided as a transmit diagnostic tool.

Note: Auto-negotiation must be disabled to transmit data packets in the absence of link. If auto-negotiation is enabled, the LXT972M PHY automatically transmits FLP bursts if the link is down.

Caution: During normal operation, Cortina does not recommend setting register bit 16.14 for 100 Mbps receive functions because receive errors may be generated.

5.7.3.2.3 Carrier Sense

For 100BASE-TX links, a start-of-stream delimiter (SSD) or /J/K symbol pair causes assertion of carrier sense (CRS). An end-of-stream delimiter (ESD) or /T/R symbol pair causes de-assertion of CRS. The PMA layer also de-asserts CRS if IDLE symbols are received without /T/R. However, in this case RX_ER is asserted for one clock cycle when CRS is de-asserted.

Cortina does not recommend using CRS for Interframe Gap (IFG) timing for the following reasons:

- CRS de-assertion time is slightly longer than CRS assertion time. As a result, an IFG interval appears somewhat shorter to the MAC than it actually is on the wire.
- CRS de-assertion is not aligned with TX_EN de-assertion on transmit loopbacks in half-duplex mode.

5.7.3.2.4 Receive Data Valid

The LXT972M PHY asserts RX_DV to indicate that the received data maps to valid symbols. In 100 Mbps operation, RX_DV is active with the first nibble of preamble.

5.7.3.3 Twisted-Pair Physical Medium Dependent Sublayer

The twisted-pair Physical Medium Dependent (PMD) layer provides signal scrambling and de-scrambling functions, line coding and decoding functions (MLT-3 for 100BASE-TX, Manchester for 10BASE-T), as well as receiving, polarity correction, and baseline wander correction functions.

5.7.3.3.1 Scrambler/Descrambler

The purpose of the scrambler/descrambler is to spread the signal power spectrum and further reduce EMI using an 11-bit, data-independent polynomial. The receiver automatically decodes the polynomial whenever IDLE symbols are received.

Scrambler Seeding. Once the transmit data (or Idle symbols) are properly encoded, they are scrambled to further reduce EMI and to spread the power spectrum using an 11-bit scrambler seed. Five seed bits are determined by the PHY address, and the remaining bits are hard coded in the design.

Scrambler Bypass. The scrambler/de-scrambler can be bypassed by setting register bit 16.12 = 1. Scrambler bypass is provided for diagnostic and test support.

5.7.3.3.2 Polarity Correction

The 100 Mbps twisted pair signaling is not polarity sensitive. As a result, the polarity status is not a valid status indicator.

5.7.3.3.3 Baseline Wander Correction

The LXT972M PHY provides a baseline wander correction function for when the LXT972M PHY is under network operating conditions. The MLT3 coding scheme used in 100BASE-TX is by definition “unbalanced”. As a result, the average value of the signal voltage can “wander” significantly over short time intervals (tenths of seconds). This wander can cause receiver errors at long-line lengths (100 meters) in less robust designs. Exact characteristics of the wander are completely data dependent.

The LXT972M PHY baseline wander correction characteristics allow the device to recover error-free data while receiving worst-case packets over all cable lengths.

5.7.3.3.4 Programmable Slew Rate Control

The LXT972M PHY device supports a programmable slew-rate mechanism whereby one of four pre-selected slew rates can be used. (For details, see [Table 56, Transmit Control Register - Address 30, Hex 1E, on page 79](#).) The slew-rate mechanism allows the designer to optimize the output waveform to match the characteristics of the magnetics.

5.8 10 Mbps Operation

The LXT972M PHY operates as a standard 10BASE-T PHY and LXT972M PHY supports standard 10 Mbps functions. During 10BASE-T operation, the LXT972M PHY transmits and receives Xilinx* Manchester-encoded data across the network link. When the MAC is not actively transmitting data, the LXT972M PHY drives link pulses onto the line.

In 10BASE-T mode, the polynomial scrambler/de-scrambler is inactive. Manchester-encoded signals received from the network are decoded by the LXT972M PHY and sent across the MII to the MAC.

5.8.1 10BASE-T Preamble Handling

The LXT972M PHY offers two options for preamble handling, selected by register bit 16.5.

- In 10BASE-T mode when register bit 16.5 = 0, the LXT972M PHY strips the entire preamble off of received packets. CRS is asserted coincident with the start of the preamble. RX_DV is held Low for the duration of the preamble. When RX_DV is asserted, the very first two nibbles driven by the LXT972M PHY are the SFD "5D" hex followed by the body of the packet.
- In 10BASE-T mode when register bit 16.5 = 1, the LXT972M PHY passes the preamble through the MII and asserts RX_DV and CRS simultaneously. (In 10BASE-T loopback, the LXT972M PHY loops back whatever the MAC transmits to it, including the preamble.)

5.8.2 10BASE-T Carrier Sense

For 10BASE-T links, CRS assertion is based on reception of valid preamble, and CRS de-assertion is based on reception of an end-of-frame (EOF) marker. register bit 16.7 allows CRS de-assertion to be synchronized with RX_DV de-assertion. For details, see [Table 50, Configuration Register - Address 16, Hex 10, on page 72](#).

5.8.3 10BASE-T Dribble Bits

The LXT972M PHY handles dribble bits in all modes. If one to four dribble bits are received, the nibble is passed across the MII, padded with ones if necessary. If five to seven dribble bits are received, the second nibble is not sent to the MII bus.

5.8.4 10BASE-T Link Integrity Test

In 10BASE-T mode, the LXT972M PHY always transmits link pulses.

- If the Link Integrity Test function is enabled (the normal configuration), the LXT972M PHY monitors the connection for link pulses. Once link pulses are detected, data transmission is enabled and remains enabled as long as either the link pulses or data transmission continue. If the link pulses stop, the data transmission is disabled.

- If the Link Integrity Test function is disabled (which can be done by setting Configuration register bit 16.14 to '1'), the LXT972M PHY transmits to the connection regardless of detected link pulses.

5.8.5 Link Failure

Link failure occurs if the Link Integrity Test is enabled and link pulses or packets stop being received. If this condition occurs, the LXT972M PHY returns to the auto-negotiation phase if auto-negotiation is enabled. If the Link Integrity Test function is disabled by setting Configuration register bit 16.14 to '1', the LXT972M PHY transmits packets, regardless of link status.

5.8.6 10BASE-T SQE (Heartbeat)

By default, the Signal Quality Error (SQE) or heartbeat function is disabled on the LXT972M PHY. To enable this function, set register bit 16.9 = 1. When this function is enabled, the LXT972M PHY asserts its COL output for 5 to 15 bit times (BT) after each packet. For SQE timing parameters, see [Figure 27, 10BASE-T SQE \(Heartbeat\) Timing, on page 59](#).

5.8.7 10BASE-T Jabber

If a transmission exceeds the jabber timer, the LXT972M PHY disables the transmit and loopback functions. For jabber timing parameters, see [Figure 26, 10BASE-T Jabber and Unjabber Timing, on page 59](#).

The LXT972M PHY automatically exits jabber mode after the unjabber time has expired. This function can be disabled by setting register bit 16.10 = 1.

5.8.8 10BASE-T Polarity Correction

The LXT972M PHY automatically detects and corrects for the condition in which the receive signal (TPIP/N) is inverted. Reversed polarity is detected if eight inverted link pulses, or four inverted end-of-frame (EOF) markers, are received consecutively. If link pulses or data are not received by the maximum receive time-out period (96 to 128 ms), the polarity state is reset to a non-inverted state.

When polarity reversal is detected in 10BASE-T operation, register 17.5 is set to 1. (For details, see bit 17.5 in [Table 51, Status Register #2 - Address 17, Hex 11, on page 73](#).)

5.9 Monitoring Operations

5.9.1 Monitoring Auto-Negotiation

Auto-negotiation can be monitored as follows:

- register bit 17.7 is set to '1' once the auto-negotiation process is completed.
- register bits 1.2 and 17.10 are set to '1' once the link is established.
- register bits 17.14 and 17.9 can be used to determine the link operating conditions (speed and duplex).

Note: When the LXT972M PHY detects incorrect polarity for a 10BASE-T operation, register bit 17.5 is set to '1'.

5.9.2 Monitoring Next Page Exchange

The LXT972M PHY offers an Alternate Next Page mode to simplify the next page exchange process. Normally, register bit 6.1 (Page Received) remains set until read. When Alternate Next Page mode is enabled, register bit 6.1 is automatically cleared whenever a new negotiation process takes place. This action prevents the user from reading an old value in bit 6.1 and assuming that Registers 5 and 8 (Partner Ability) contain valid information. Additionally, the LXT972M PHY uses register bit 6.5 to indicate when the current received page is the base page. This information is useful for recognizing when next pages must be resent due to a new negotiation process starting. register bits 6.1 and 6.5 are cleared when read.

5.9.3 LED Functions

The LXT972M PHY has these direct LED driver pins: LED1/CFG1, LED2/CFG2, and LED3/CFG3.

On power-up, all the drivers are asserted for approximately 1 second after reset de-asserts. Each LED driver can be programmed using the LED Configuration Register ([Table 54, LED Configuration Register - Address 20, Hex 14, on page 77](#)) to indicate one of the following conditions:

- Collision Condition
- Duplex Mode
- Link Status
- Operating Speed
- Receive Activity
- Transmit Activity

The LED drivers can also be programmed to display various combined status conditions. For example, setting register bits 20.15:12 to '1101' produces the following combination of Link and Activity indications:

- If Link is down, LED is off. If activity is detected from the MAC, the LED still blinks even if the link is down.
- If Link is up, LED is on.
- If Link is up and activity is detected, the LED blinks at the stretch interval selected by register bits 20.3:2 and continues to blink as long as activity is present.

The LXT972M PHY LED driver pins also provide initial configuration settings. The LED pins are sensitive to polarity and automatically pull up or pull down to configure for either open drain or open collector circuits (10 mA Max current rating) as required by the hardware configuration. For details, see the discussion of [Section 5.4.4, Hardware Configuration Settings, on page 28](#).

5.9.4 LED Pulse Stretching

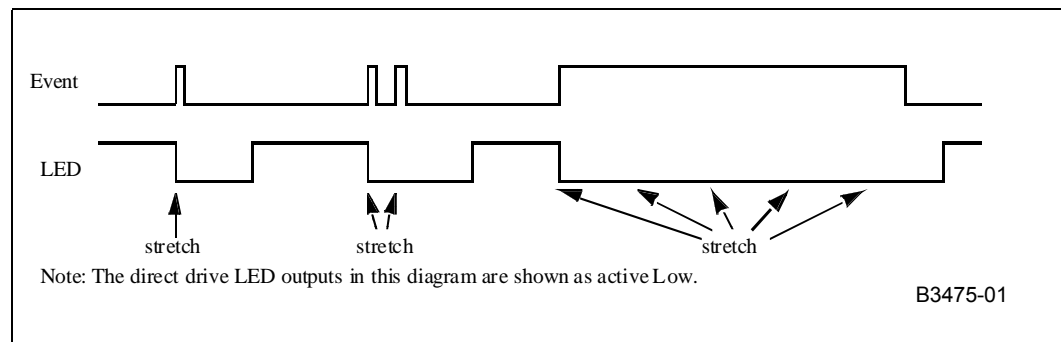
The LED Configuration Register also provides optional LED pulse stretching to 30, 60, or 100 ms. The pulse stretch time is extended further if the event occurs again during this pulse stretch period.

When an event such as receiving a packet occurs, the event is edge detected and it starts the stretch timer. The LED driver remains asserted until the stretch timer expires. If another event occurs before the stretch timer expires, then the stretch timer is reset and the stretch time is extended.

When a long event (such as duplex status) occurs, the event is edge detected and it starts the stretch timer. When the stretch timer expires, the edge detector is reset so that a long event causes another pulse to be generated from the edge detector, which resets the stretch timer and causes the LED driver to remain asserted.

Figure 18 shows how the stretch operation functions.

Figure 18 LED Pulse Stretching



5.10 Boundary Scan (JTAG 1149.1) Functions

The LXT972M PHY includes a IEEE 1149.1 boundary scan test port for board level testing. All digital input, output, and input/output pins are accessible.

Note: For the related BSDL file, contact your local sales office or access the Cortina website (www.cortina-systems.com).

5.10.1 Boundary Scan Interface

The boundary scan interface consists of five pins (TMS, TDI, TDO, TRST_L, and TCK). It includes a state machine, data register array, and instruction register. The TMS and TDI pins are pulled up internally. TCK is pulled down internally. TDO does not have an internal pull-up or pull-down.

5.10.2 State Machine

The TAP controller is a state machine, with 16 states driven by the TCK and TMS pins. Upon reset, the TEST_LOGIC_RESET state is entered. The state machine is also reset when TMS and TDI are high for five TCK periods.

5.10.3 Instruction Register

After the state machine resets, the IDCODE instruction is always invoked. The decode logic ensures the correct data flow to the Data registers according to the current instruction.

Table 17 lists valid LXT972M PHY JTAG instructions.

5.10.4 Boundary Scan Register

Each Boundary Scan Register (BSR) cell has two stages. A flip-flop and a latch are used for the serial shift stage and the parallel output stage. [Table 17](#) lists the four BSR modes of operation.

Table 17 BSR Mode of Operation

Mode	Description
1	Capture
2	Shift
3	Update
4	System Function

5.10.5 Device ID Register

[Table 18](#) lists the bits for the Device ID register. For the current version of the JEDEC continuation characters, see the specification update for the LXT972M PHY.

Table 18 Device ID Register

Bits 31:28	Bits 27:12	Bits 11:8	Bits 7:1	Bit 0
Version	Part ID (Hex)	JEDEC Continuation Characters	JEDEC ID ¹	Reserved
XXXX	03CB	0000	111 1110	1

1. The JEDEC ID is an 8-bit identifier. The MSB is for parity and is ignored. The JEDEC ID is FE (1111 1110), which becomes 111 1110.

6.0 Application Information

6.1 Magnetics Information

The LXT972M PHY requires a 1:1 ratio for both the receive and transmit transformers. The transformer isolation voltage should be rated at 2 kV to protect the circuitry from static voltages across the connectors and cables. For transformer/magnetics requirements, see [Table 19](#).

Note: Before committing to a specific component, contact the manufacturer for current product specifications and validate the magnetics for the specific application.

Table 19 Magnetics Requirements

Parameter	Min	Nom	Max	Units	Test Condition
Rx turns ratio	–	1 : 1	–	–	–
Tx turns ratio	–	1 : 1	–	–	–
Insertion loss	0.0	0.6	1.1	dB	–
Primary inductance	350	–	–	μH	–
Transformer isolation	–	1.5	–	kV	–
Differential to common mode rejection	40	–	–	dB	0.1 to 60 MHz
	35	–	–	dB	60 to 100 MHz
Return Loss	-16	–	–	dB	30 MHz
	-10	–	–	dB	80 MHz

6.2 Typical Twisted-Pair Interface

[Table 20](#) provides a comparison of the RJ-45 connections for NIC and Switch applications in a typical twisted-pair interface setting.

Table 20 I/O Pin Comparison of NIC and Switch RJ-45 Setups

Symbol	RJ-45	
	Switch	NIC
TPIP	1	3
TPIN	2	6
TPOP	3	1
TPON	6	2

[Figure 19](#) shows the LXT972M PHY in a typical twisted-pair interface, with the RJ-45 connections crossed over for a Switch configuration.

Figure 19 Typical Twisted-Pair Interface - Switch

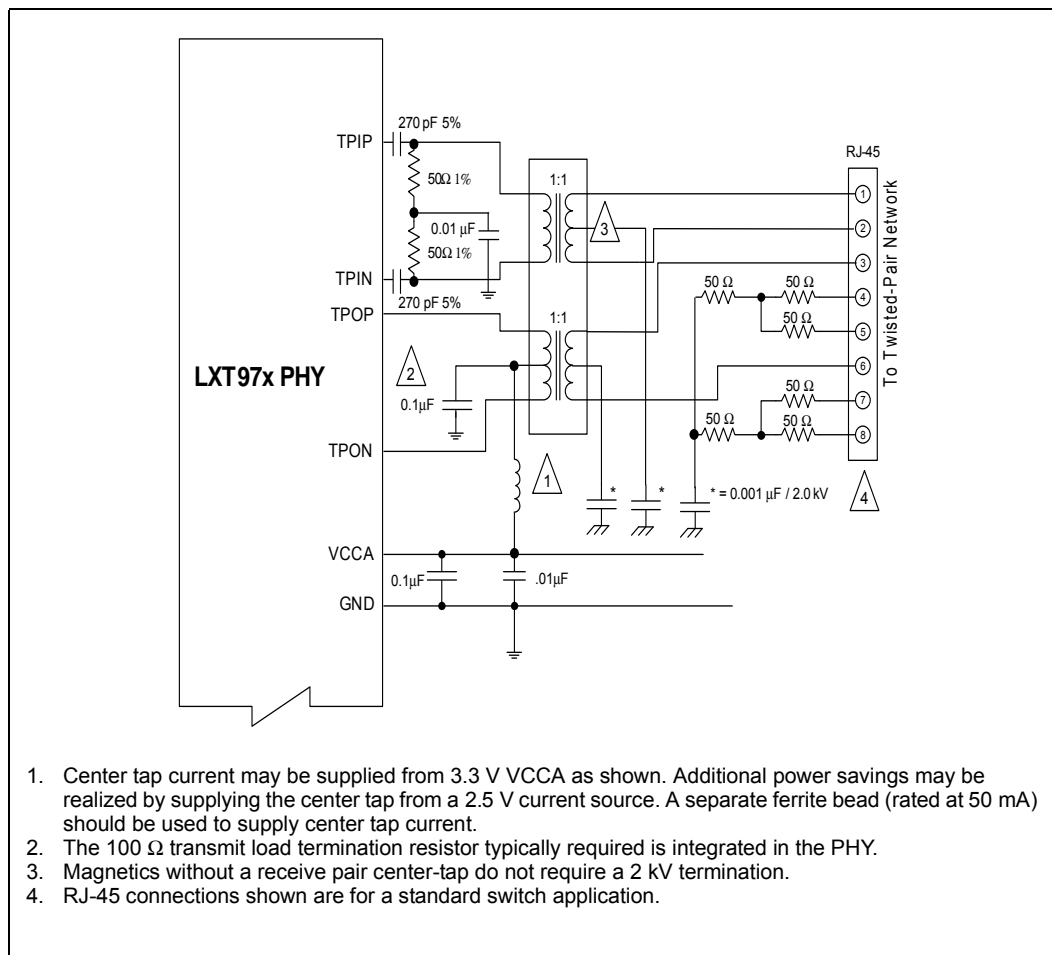
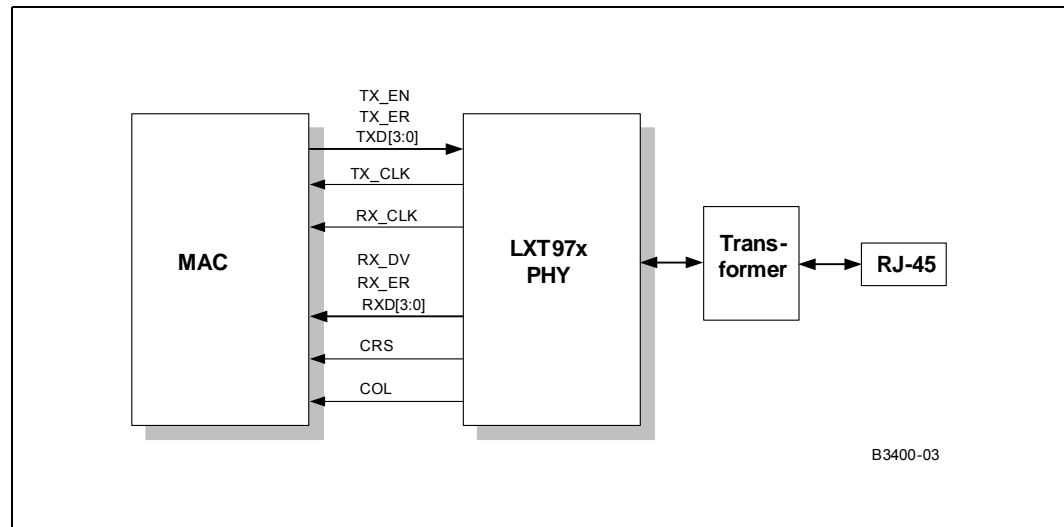


Figure 20 shows the LXT972M PHY in a typical twisted-pair interface, with the RJ-45 connections configured for a NIC application.

Figure 21 show a typical media independent interface (MII) for the LXT972M PHY.

Figure 21 Typical Media Independent Interface



7.0 Electrical Specifications

This chapter includes test specifications for the LXT972M PHY. These specifications are guaranteed by test except where noted “by design”.

Caution: Exceeding the absolute maximum rating values may cause permanent damage. Functional operation under these conditions is not implied. Exposure to maximum rating conditions for extended periods may affect device reliability.

7.1 DC Electrical Parameters

See the following DC specifications:

- Table 21, *Absolute Maximum Ratings*, on page 51
- Table 22, *Recommended Operating Conditions*, on page 51
- Table 23, *Digital I/O Characteristics (Except for MII, XI/XO, and LED/CFG Pins)*, on page 52
- Table 24, *Digital I/O Characteristics¹ - MII Pins*, on page 52
- Table 25, *I/O Characteristics - REFCLK/XI and XO Pins*, on page 53
- Table 26, *I/O Characteristics - LED/CFG Pins*, on page 53
- Table 27, *100BASE-TX PHY Characteristics*, on page 53
- Table 28, *10BASE-T PHY Characteristics*, on page 54
- Table 29, *10BASE-T Link Integrity Timing Characteristics*, on page 54
- Table 30, *Thermal Characteristics*, on page 54

Table 21 Absolute Maximum Ratings

Parameter	Sym	Min	Max	Units
Supply Voltage	VCC	-0.3	4.0	V
Storage Temperature	TST	-65	+150	°C

Table 22 Recommended Operating Conditions (Sheet 1 of 2)

Parameter	Sym	Min	Typ ¹	Max	Units
Recommended operating temperature	T _{OP} A	0	–	70	°C
Recommended supply voltage ² - Analog and digital	V _{CCA} , V _{CCD}	3.14	3.3	3.45	V
Recommended supply voltage ² - I/O	V _{CCIO}	2.35	–	3.45	V
VCC current - 100 BASE-TX	I _{CC}	–	92	110	mA
VCC current - 10 BASE-T	I _{CC}	–	66	82	mA

1. Typical values are at 25 °C and are for design aid only, not guaranteed, and not subject to production testing.
 2. Voltages are with respect to ground unless otherwise specified.

Table 22 Recommended Operating Conditions (Sheet 2 of 2)

Parameter	Sym	Min	Typ ¹	Max	Units
Hard Power Down	I _{CC}	–	–	1	mA
Soft Power Down	I _{CC}	–	51	–	mA
Auto-Negotiation	I _{CC}	–	90	110	mA

1. Typical values are at 25 °C and are for design aid only, not guaranteed, and not subject to production testing.
 2. Voltages are with respect to ground unless otherwise specified.

Table 23 Digital I/O Characteristics (Except for MII, XI/XO, and LED/CFG Pins)

Parameter	Sym	Min	Typ ¹	Max	Units	Test Conditions
Input Low voltage	V _{IL}	–	–	0.8	V	–
Input High voltage	V _{IH}	2.0	–	–	V	–
Input current	I _I	-10	–	10	μA	0.0 < V _I < V _{CC}
Output Low voltage	V _{OL}	–	–	0.4	V	I _{OL} = 4 mA
Output High voltage	V _{OH}	2.4	–	–	V	I _{OH} = -4 mA

1. Typical values are at 25 °C and are for design aid only, not guaranteed, and not subject to production testing.

Table 24 Digital I/O Characteristics¹ - MII Pins

Parameter	Sym	Min	Typ ²	Max	Units	Test Conditions
Input Low voltage	V _{IL}	–	–	0.8	V	–
Input High voltage	V _{IH}	2.0	–	–	V	–
Input current	I _I	-10	–	10	μA	0.0 < V _I < V _{CCIO}
Output Low voltage	V _{OL}	–	–	0.4	V	I _{OL} = 4 mA
Output High voltage	V _{OH}	2.2	–	–	V	I _{OH} = -4 mA, V _{CCIO} = 3.3 V
	V _{OH}	2.0	–	–	V	I _{OH} = -4 mA, V _{CCIO} = 2.5 V
Driver output resistance (Line driver output enabled)	R _O ³	–	100	–	Ω	V _{CCIO} = 2.5 V
	R _O ³	–	100	–	Ω	V _{CCIO} = 3.3 V

1. MII digital I/O pins are tolerant to 5 V inputs.
 2. Typical values are at 25 °C and are for design aid only, not guaranteed, and not subject to production testing.
 3. Parameter is guaranteed by design and not subject to production testing.

Table 25 I/O Characteristics - REFCLK/XI and XO Pins

Parameter	Symbol	Min	Typ ¹	Max	Units	Test Conditions
Input Low Voltage	V _{IL}	–	–	0.8	V	–
Input High Voltage	V _{IH}	2.0	–	–	V	–
Input Clock Frequency Tolerance ²	Δf	–	–	±100	ppm	–
Input Clock Duty Cycle ²	T _{dc}	35	–	65	%	–
Input Capacitance	C _{IN}	–	3.0	–	pF	–

1. Typical values are at 25 °C and are for design aid only, not guaranteed, and not subject to production testing.
 2. Parameter is guaranteed by design and not subject to production testing.

Table 26 I/O Characteristics - LED/CFG Pins

Parameter	Symbol	Min	Typ	Max	Units	Test Conditions
Input Low Voltage	V _{IL}	–	–	0.8	V	–
Input High Voltage	V _{IH}	2.0	–	–	V	–
Input Current	I _I	-10	–	10	μA	0 < V _I < V _{CCIO}
Output Low Voltage	V _{OL}	–	–	0.4	V	I _{OL} = 10 mA
Output High Voltage	V _{OH}	2.0	–	–	V	I _{OH} = -10 mA

Table 27 100BASE-TX PHY Characteristics

Parameter	Symbol	Min	Typ ¹	Max	Units	Test Conditions
Peak differential output voltage	V _P	0.95	–	1.05	V	Note 2
Signal amplitude symmetry	V _{SS}	98	–	102	%	Note 2
Signal rise/fall time	T _{RF}	3.0	–	5.0	ns	Note 2
Rise/fall time symmetry	T _{RFS}	–	–	0.5	ns	Note 2
Duty cycle distortion	D _{CD}	35	50	65	%	Offset from 16 ns pulse width at 50% of pulse peak
Overshoot/Undershoot	V _{OS}	–	–	5	%	–
Jitter (measured differentially)	–	–	–	1.4	ns	–

1. Typical values are at 25 °C and are for design aid only, not guaranteed, and not subject to production testing.
 2. Measured at the line side of the transformer, line replaced by 100 Ω (+/-1%) resistor.

Table 28 10BASE-T PHY Characteristics

Parameter	Symbol	Min	Typ	Max	Units	Test Conditions
Transmitter						
Peak differential output voltage	V _{OP}	2.2	2.5	2.8	V	With transformer, line replaced by 100 Ω resistor
Transition timing jitter added by the MAU and PLS sections	–	0	2	11	ns	After line model specified by IEEE 802.3 for 10BASE-T MAU
Receiver						
Receive Input Impedance	Z _{IN}	–	–	22	kΩ	–
Differential Squelch Threshold	V _{DS}	300	420	585	mV	–

Table 29 10BASE-T Link Integrity Timing Characteristics

Parameter	Symbol	Min	Typ	Max	Units	Test Conditions
Time Link Loss Receive	T _{LL}	50	–	150	ms	–
Link Pulse	T _{LP}	2	–	7	Link Pulses	–
Link Min Receive Timer	T _{LR MIN}	2	–	7	ms	–
Link Max Receive Timer	T _{LR MAX}	50	–	150	ms	–
Link Transmit Period	T _{lt}	8	–	24	ms	–
Link Pulse Width	T _{lpw}	60	–	150	ns	–
1. Typical values are at 25 °C and are for design aid only, not guaranteed, and not subject to production testing.						

Table 30 Thermal Characteristics

Parameter	Value
Package	1 0x 10 x1.4 64 LD LQFP
Theta-JA	58 C/W
Theta-JC	27 C/W
Psi - JT	3.4 C/W

7.2 AC Timing Diagrams and Parameters

See the following timing diagrams and AC parameters:

- Figure 22, *100BASE-TX Receive Timing*, on page 55
- Figure 23, *100BASE-TX Transmit Timing*, on page 56
- Figure 25, *10BASE-T Transmit Timing*, on page 58

- Figure 26, *10BASE-T Jabber and Unjabber Timing*, on page 59
- Figure 27, *10BASE-T SQE (Heartbeat) Timing*, on page 59
- Figure 28, *Auto-Negotiation and Fast Link Pulse Timing*, on page 60
- Figure 29, *Fast Link Pulse Timing*, on page 60
- Figure 30, *MDIO Input Timing*, on page 61
- Figure 31, *MDIO Output Timing*, on page 61
- Figure 32, *Power-Up Timing*, on page 62
- Figure 33, *RESET_L Pulse Width and Recovery Timing*, on page 62

Figure 22 100BASE-TX Receive Timing

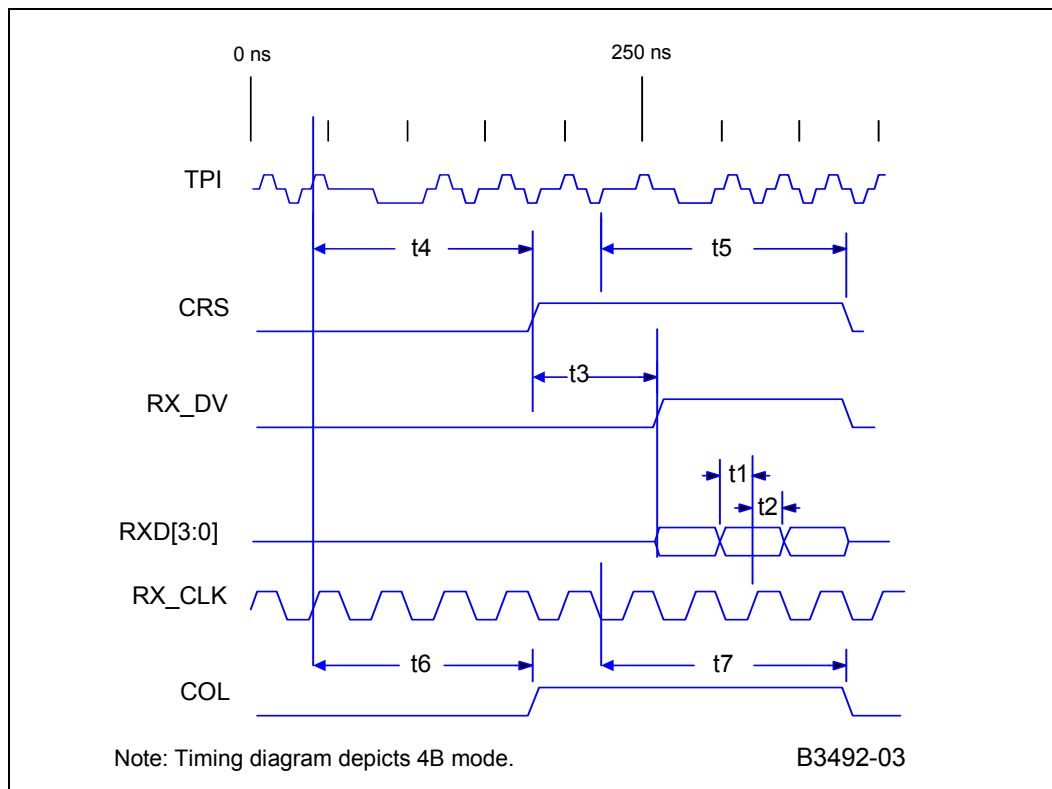


Table 31 100BASE-TX Receive Timing Parameters - 4B Mode

Parameter	Sym	Min	Typ ¹	Max	Units ²	Test Conditions
RXD[3:0], RX_DV, RX_ER ³ setup to RX_CLK High	t1	10	–	–	ns	–
RXD[3:0], RX_DV, RX_ER hold from RX_CLK High	t2	10	–	–	ns	–
CRS asserted to RXD[3:0], RX_DV	t3	3	–	5	BT	–
Receive start of “J” to CRS asserted	t4	12	–	16	BT	–
Receive start of “T” to CRS de-asserted	t5	10	–	17	BT	–
Receive start of “J” to COL asserted	t6	16	–	22	BT	–
Receive start of “T” to COL de-asserted	t7	17	–	20	BT	–

1. Typical values are at 25 °C and are for design aid only, not guaranteed, and not subject to production testing.
 2. BT (Bit Time) is the duration of one bit as transferred to and from the Mac and is the reciprocal of the bit rate. 100BASE-T bit time = 10⁻⁸ s or 10 ns.
 3. RX_ER is not shown in the figure.

Figure 23 100BASE-TX Transmit Timing

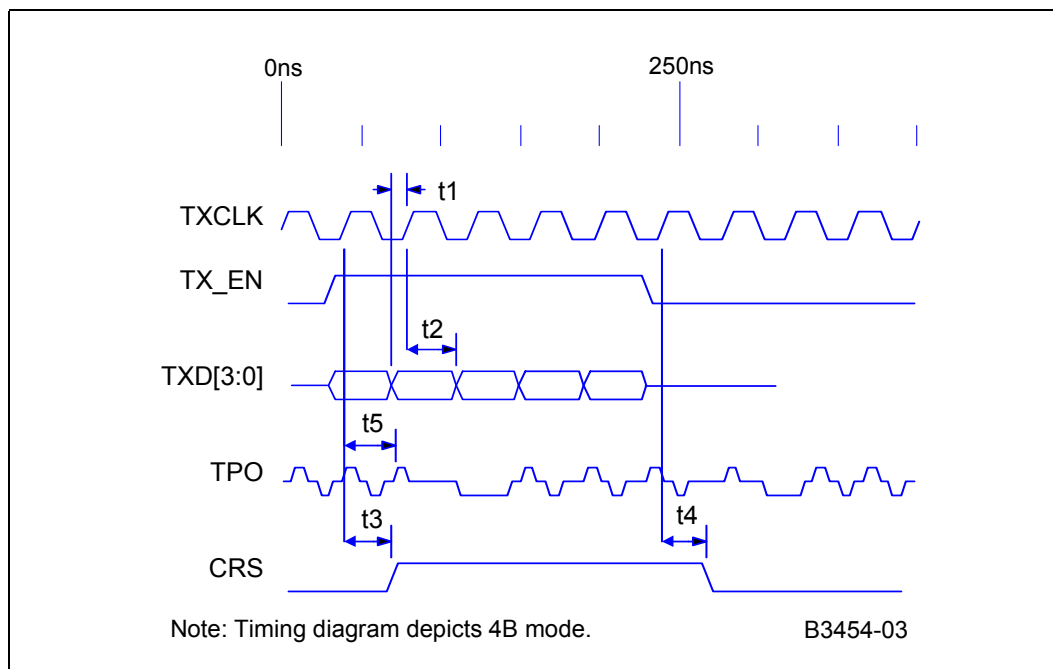


Figure 24 10BASE-T Receive Timing

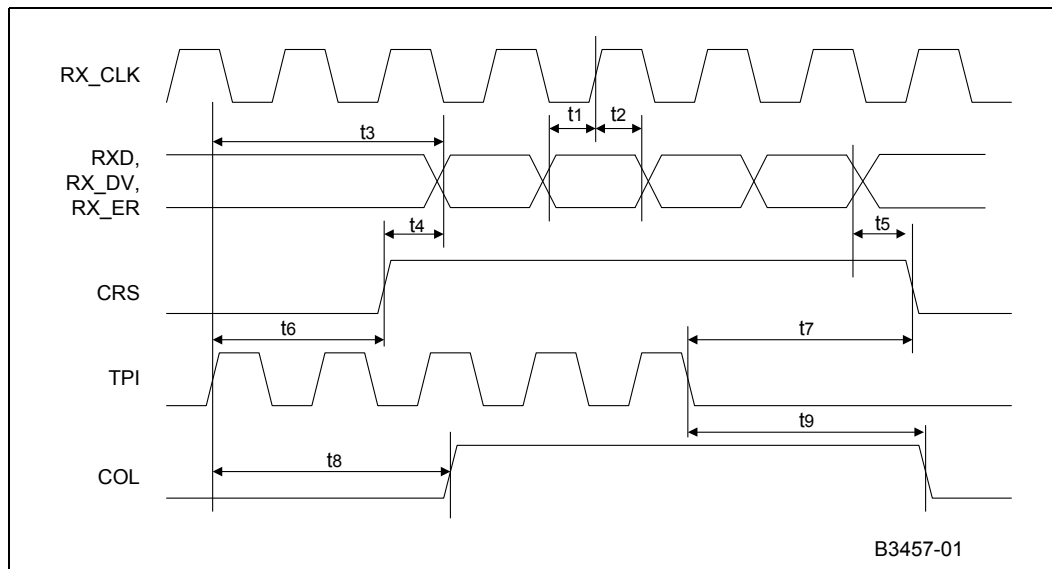


Table 32 10BASE-T Receive Timing Parameters

Parameter	Sym	Min	Typ ¹	Max	Units ²	Test Conditions
RXD, RX_DV, RX_ER Setup to RX_CLK High	t1	10	–	–	ns	–
RXD, RX_DV, RX_ER Hold from RX_CLK High	t2	10	–	–	ns	–
TPIP/N in to RXD out (Rx latency)	t3	4.2	–	6.6	BT	–
CRS asserted to RXD, RX_DV, RX_ER asserted	t4	5	–	32	BT	–
RXD, RX_DV, RX_ER de-asserted to CRS de-asserted	t5	0.3	–	0.5	BT	–
TPI in to CRS asserted	t6	2	–	28	BT	–
TPI quiet to CRS de-asserted	t7	6	–	10	BT	–
TPI in to COL asserted	t8	1	–	31	BT	–
TPI quiet to COL de-asserted	t9	5	–	10	BT	–

1. Typical values are at 25 °C and are for design aid only, not guaranteed, and not subject to production testing.
 2. BT (Bit Time) is the duration of one bit as transferred to and from the MAC and is the reciprocal of the bit rate. 10BASE-T bit time = 10⁻⁷ s or 100 ns.

Figure 25 10BASE-T Transmit Timing

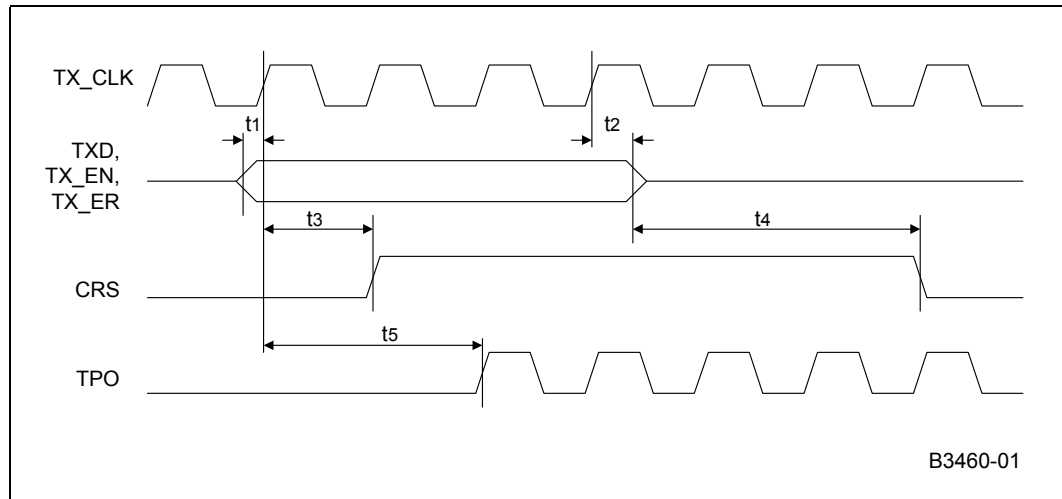


Figure 26 10BASE-T Jabber and Unjabber Timing

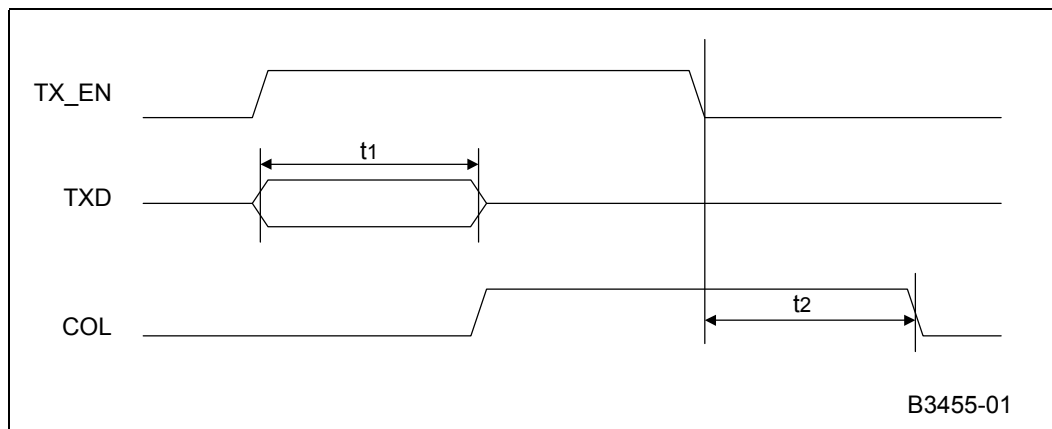


Table 33 10BASE-T Jabber and Unjabber Timing

Parameter	Symbol	Min	Typ ¹	Max	Units	Test Conditions
Maximum transmit time	t1	20	–	150	ms	–
Unjabber time	t2	250	–	750	ms	–

1. Typical values are at 25 °C and are for design aid only, not guaranteed, and not subject to production testing.

Figure 27 10BASE-T SQE (Heartbeat) Timing

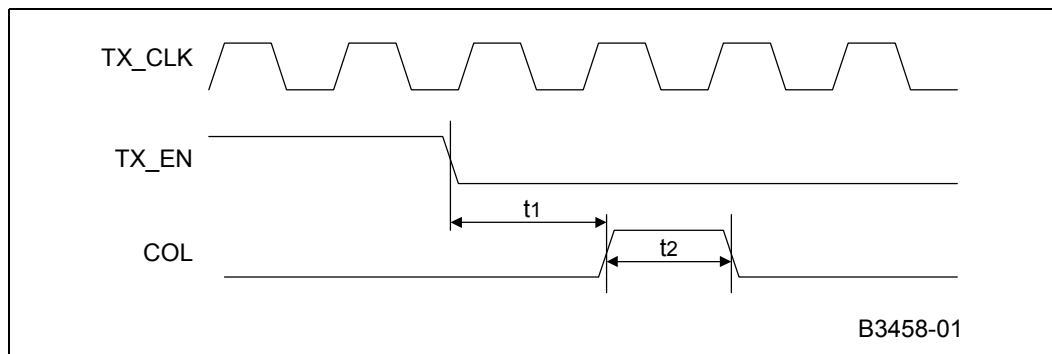


Table 34 PHY 10BASE-T SQE (Heartbeat) Timing

Parameter	Symbol	Min	Typ ¹	Max	Units	Test Conditions
COL (SQE) Delay after TX_EN off	t1	0.65	–	1.6	us	–
COL (SQE) Pulse duration	t2	0.5	–	1.5	us	–

1. Typical values are at 25 °C and are for design aid only, not guaranteed, and not subject to production testing.

Figure 28 Auto-Negotiation and Fast Link Pulse Timing

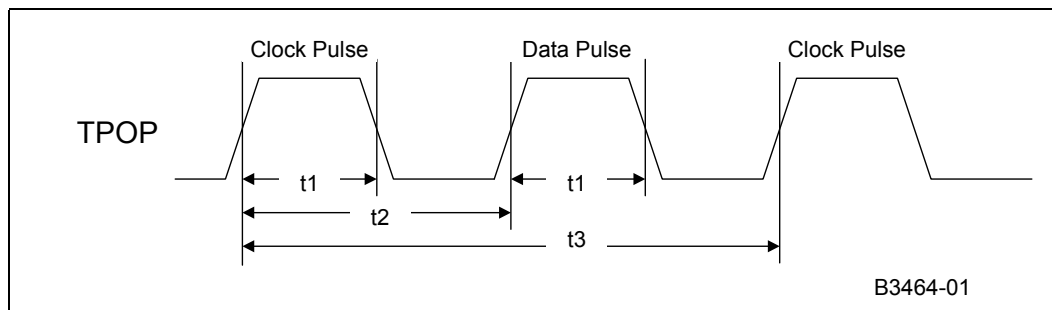


Figure 29 Fast Link Pulse Timing

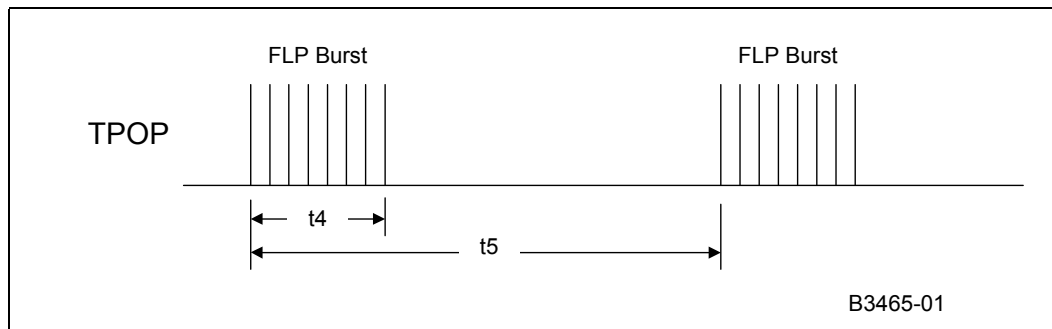


Table 35 Auto-Negotiation and Fast Link Pulse Timing Parameters

Parameter	Symbol	Min	Typ ¹	Max	Units	Test Conditions
Clock/Data pulse width	t1	–	100	–	ns	–
Clock pulse to Data pulse	t2	55.5	–	63.8	μs	–
Clock pulse to Clock pulse	t3	123	–	127	μs	–
FLP burst width	t4	–	2	–	ms	–
FLP burst to FLP burst	t5	8	12	24	ms	–
Clock/Data pulses per burst	–	17	–	33	Each clock pulse or data pulse	–

1. Typical values are at 25 °C and are for design aid only, not guaranteed, and not subject to production testing.

Figure 30 MDIO Input Timing

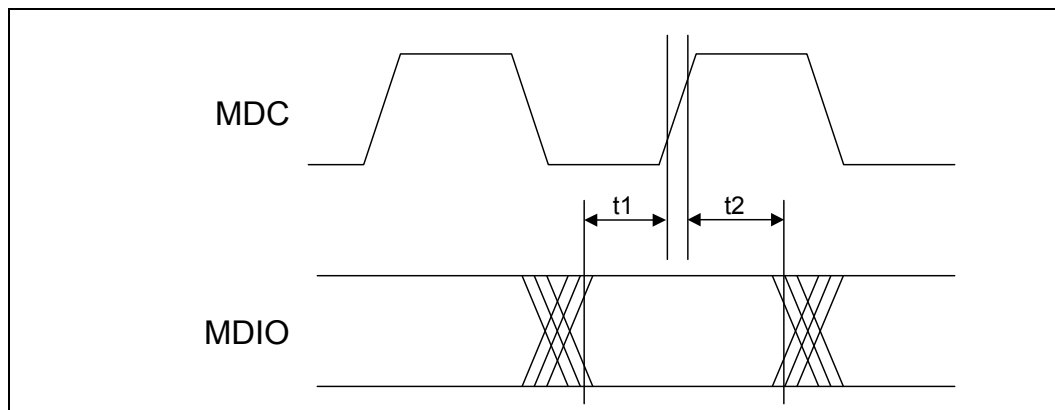


Figure 31 MDIO Output Timing

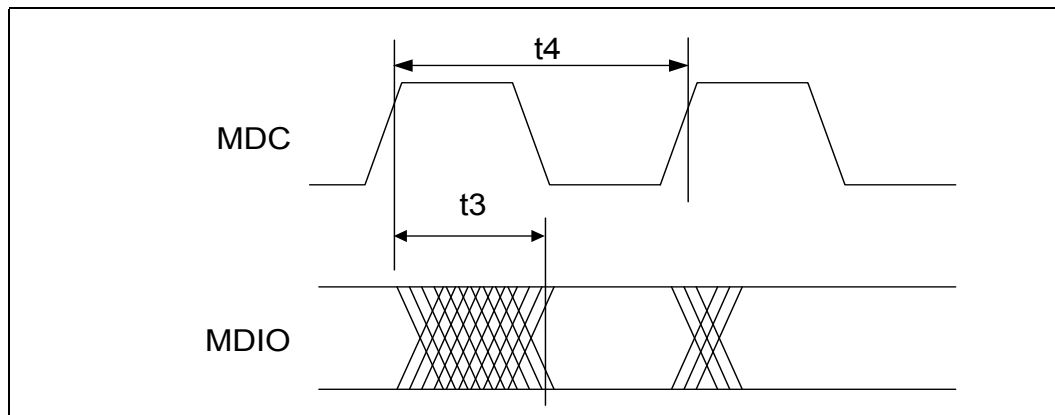


Table 36 MDIO Timing

Parameter	Symbol	Min	Typ ¹	Max	Units	Test Conditions
MDIO setup before MDC, sourced by STA	t1	10	–	–	ns	–
MDIO hold after MDC, sourced by STA	t2	5	–	–	ns	–
MDC to MDIO output delay, sourced by PHY	t3	–	–	150	ns	–
MDC period	t4	125	–	–	ns	MDC = 8 MHz

1. Typical values are at 25° C and are for design aid only, not guaranteed, and not subject to production testing.

Figure 32 Power-Up Timing

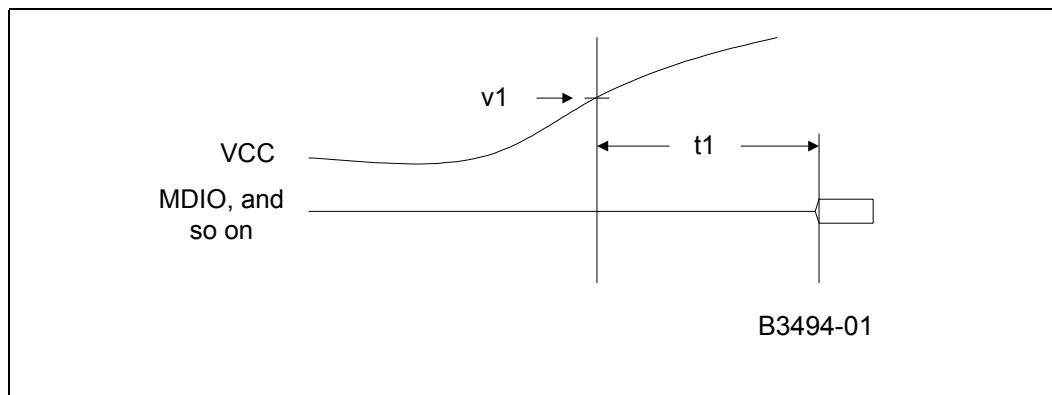


Table 37 Power-Up Timing

Parameter	Symbol	Min	Typ ¹	Max	Units	Test Conditions
Voltage threshold	v1	–	2.9	–	V	–
Power Up delay ²	t1	–	–	300	μs	–

1. Typical values are at 25° C and are for design aid only, not guaranteed, and not subject to production testing.
 2. Power-up delay is specified as a maximum value because it refers to the PHY guaranteed performance. The PHY comes out of reset after a delay of no more than 300 μs. System designers should consider this value as a minimum value. After threshold v1 is reached, the MAC should delay no less than 300 μs before accessing the MDIO port.

Figure 33 RESET_L Pulse Width and Recovery Timing

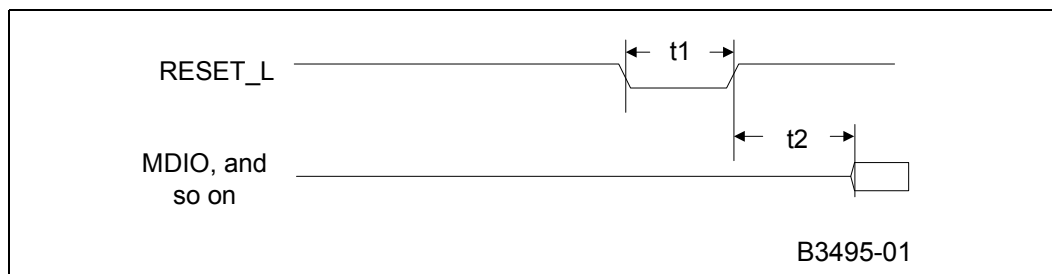


Table 38 **RESET_L Pulse Width and Recovery Timing**

Parameter	Symbol	Min	Typ ¹	Max	Units	Test Conditions
RESET_L pulse width	t1	10	–	–	ns	–
RESET_L recovery delay ²	t2	–		300	μs	–
1. Typical values are at 25° C and are for design aid only, not guaranteed, and not subject to production testing. 2. Reset Recovery Delay is specified as a maximum value because it refers to the PHY guaranteed performance. The PHY comes out of reset after a delay of no more than 300 μs. System designers should consider this value as a minimum value. After de-asserting RESET_L, the MAC should delay no less than 300 μs before accessing the MDIO port.						

8.0 Register Definitions - IEEE Base Registers

This chapter includes definitions for the IEEE base registers used by the LXT972M PHY. [Section 9.0, Register Definitions - Product-Specific Registers](#) includes definitions of additional product-specific LXT972M PHY registers, which are defined in accordance with the IEEE 802.3 standard for adding unique device functions.

The LXT972M PHY register set has multiple 16-bit registers.

- [Table 39](#) is a register set listing of the IEEE base registers.
- [Table 40](#) through [Table 48](#) provide bit descriptions of the base registers (address 0 through 8), which are defined in accordance with the “Reconciliation Sublayer and Media Independent Interface” and “Physical Layer Link Signaling for 10/100 Mbps Auto-Negotiation” sections of the IEEE 802.3 standard.

Table 39 Register Set for IEEE Base Registers

Address	Register Name	Bit Assignments
0	Control Register	See Table 40 on page 65
1	Status Register #1	See Table 41 on page 66
2	PHY Identification Register 1	See Table 42 on page 67
3	PHY Identification Register 2	See Table 43 on page 67
4	Auto-Negotiation Advertisement Register	See Table 44 on page 68
5	Auto-Negotiation Link Partner Base Page Ability Register	See Table 45 on page 69
6	Auto-Negotiation Expansion Register	See Table 46 on page 70
7	Auto-Negotiation Next Page Transmit Register	See Table 47 on page 70
8	Auto-Negotiation Link Partner Next Page Receive Register	See Table 48 on page 71
9	1000BASE-T/100BASE-T2 Control Register	Not Implemented
10	1000BASE-T/100BASE-T2 Status Register	Not Implemented
11 to 14	Reserved	Not Implemented
15	Extended Status Register	Not Implemented

Table 40 Control Register - Address 0, Hex 0

Bit	Name	Description			Type ¹	Default
0.15	Reset	0 = Normal operation 1 = PHY reset			R/W SC	0
0.14	Loopback	0 = Disable loopback mode 1 = Enable loopback mode			R/W	0
0.13	Speed Selection	0.6	0.13	Speed Selected	R/W	Note 2
		0	0	10 Mbps		
		0	1	100 Mbps		
		1	0	1000 Mbps (not supported)		
1	1	Reserved				
0.12	Auto-Negotiation Enable	0 = Disable auto-negotiation process 1 = Enable auto-negotiation process			R/W	Note 2
0.11	Power-Down	0 = Normal operation 1 = Power-down			R/W	0
0.10	Isolate	0 = Normal operation 1 = Electrically isolate PHY from MII			R/W	0
0.9	Restart Auto-Negotiation	0 = Normal operation 1 = Restart auto-negotiation process			R/W SC	0
0.8	Duplex Mode	0 = Half-duplex 1 = Full-duplex			R/W	Note 2
0.7	Collision Test	0 = Disable COL signal test 1 = Enable COL signal test			R/W	0
0.6	Speed Selection	0.6	0.13	Speed Selected	R/W	0
		0	0	10 Mbps		
		0	1	100 Mbps		
		1	0	1000 Mbps (not supported)		
1	1	Reserved				
0.5:0	Reserved	Write as '0'. Ignore on Read.			R/W	00000

1. R/W = Read/Write
 SC = Self Clearing

2. Some bits have their default values determined at reset by hardware configuration pins. For default details for these bits, see [Section 5.4.4, Hardware Configuration Settings](#).

Table 41 MII Status Register #1 - Address 1, Hex 1

Bit	Name	Description	Type ¹	Default
1.15	100BASE-T4 Not Supported	0 = PHY not able to perform 100BASE-T4 1 = PHY able to perform 100BASE-T4	RO	0
1.14	100BASE-X Full-Duplex	0 = PHY not able to perform full-duplex 100BASE-X 1 = PHY able to perform full-duplex 100BASE-X	RO	1
1.13	100BASE-X Half-Duplex	0 = PHY not able to perform half-duplex 100BASE-X 1 = PHY able to perform half-duplex 100BASE-X	RO	1
1.12	10 Mbps Full-Duplex	0 = PHY not able to operate at 10 Mbps full-duplex mode 1 = PHY able to operate at 10 Mbps in full-duplex mode	RO	1
1.11	10 Mbps Half-Duplex	0 = PHY not able to operate at 10 Mbps in half-duplex mode 1 = PHY able to operate at 10 Mbps in half-duplex mode	RO	1
1.10	100BASE-T2 Full-Duplex Not Supported	0 = PHY not able to perform full-duplex 100BASE-T2 1 = PHY able to perform full-duplex 100BASE-T2	RO	0
1.9	100BASE-T2 Half-Duplex Not Supported	0 = PHY not able to perform half-duplex 100BASE-T2 1 = PHY able to perform half-duplex 100BASE-T2	RO	0
1.8	Extended Status	0 = No extended status information in register 15 1 = Extended status information in register 15	RO	0
1.7	Reserved	Ignore when read.	RO	0
1.6	MF Preamble Suppression	0 = PHY cannot accept management frames with preamble suppressed 1 = PHY accepts management frames with preamble suppressed	RO	0
1.5	Auto-Negotiation complete	0 = Auto-negotiation not complete 1 = Auto-negotiation complete	RO	0
1.4	Remote Fault	0 = No remote fault condition detected 1 = Remote fault condition detected	RO/LH	0
1.3	Auto-Negotiation Ability	0 = PHY is not able to perform auto-negotiation 1 = PHY is able to perform auto-negotiation	RO	1
1.2	Link Status	0 = Link is down 1 = Link is up	RO/LL	0
1.1	Jabber Detect	0 = Jabber condition not detected 1 = Jabber condition detected	RO/LH	0
1.0	Extended Capability	0 = Basic register capabilities 1 = Extended register capabilities	RO	1

1. RO = Read Only
 LL = Latching Low
 LH = Latching High

Table 42 PHY Identification Register 1 - Address 2, Hex 2

Bit	Name	Description	Type ¹	Default
Note: See Figure 34 for identifier bit mapping.				
2.15:0	PHY ID Number	The PHY identifier is composed of bits 3 through 18 of the Organizationally Unique Identifier (OUI).	RO	0013 hex
1. RO = Read Only				

Table 43 PHY Identification Register 2 - Address 3, Hex 3

Bit	Name	Description	Type ¹	Default
Note: See Figure 34 for identifier bit mapping.				
3.15:10	PHY ID number	The PHY identifier is composed of bits 19 through 24 of the OUI.	RO	011110
3.9:4	Manufacturer's model number	6 bits containing manufacturer's part number.	RO	001110
3.3:0	Manufacturer's revision number	4 bits containing manufacturer's revision number.	RO	For current revision ID information, see the Specification Update.
1. RO = Read Only				

Figure 34 PHY Identifier Bit Mapping

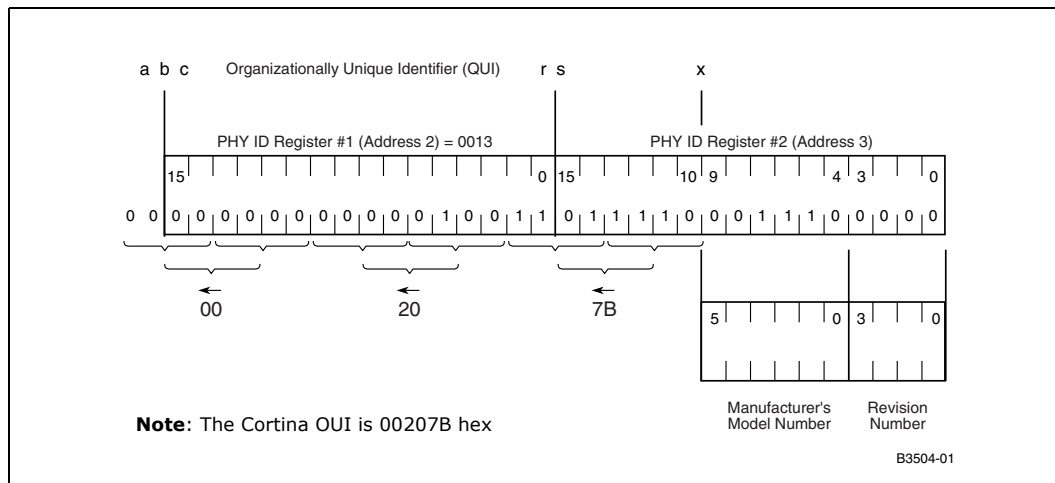


Table 44 Auto-Negotiation Advertisement Register - Address 4, Hex 4

Bit	Name	Description	Type ¹	Default
4.15	Next Page	0 = Port has no ability to send multiple pages. 1 = Port has ability to send multiple pages.	R/W	0
4.14	Reserved	Ignore when read.	RO	0
4.13	Remote Fault	0 = No remote fault. 1 = Remote fault.	R/W	0
4.12	Reserved	Write as '0'. Ignore on Read.	R/W	0
4.11	Asymmetric Pause	Pause operation defined in IEEE 802.3 Standard, Clause 40 and 27	R/W	0
4.10	Pause	0 = Pause operation disabled. 1 = Pause operation enabled for full-duplex link.	R/W	0
4.9	100BASE-T4	0 = 100BASE-T4 capability is not available. 1 = 100BASE-T4 capability is available. Note: The LXT972M PHY does not support 100BASE-T4 but allows this bit to be set to advertise in the auto-negotiation sequence for 100BASE-T4 operation. An external 100BASE-T4 PHY can be switched in if this capability is desired.	R/W	0
4.8	100BASE-TX full-duplex (For LXT972M PHY)	0 = Port is not 100BASE-TX full-duplex capable. 1 = Port is 100BASE-TX full-duplex capable.	R/W	Note 3
4.7	100BASE-TX (For LXT972M PHY)	0 = Port is not 100BASE-TX capable. 1 = Port is 100BASE-TX capable.	R/W	Note 3
4.6	10BASE-T full-duplex (For LXT972M PHY)	0 = Port is not 10BASE-T full-duplex capable. 1 = Port is 10BASE-T full-duplex capable.	R/W	Note 3
4.5	10BASE-T	0 = Port is not 10BASE-T capable. 1 = Port is 10BASE-T capable.	R/W	Note 3
4.4:0	Selector Field, S<4:0>	00001 =IEEE 802.3. 00010 =IEEE 802.9 ISLAN-16T. 00000 =Reserved for future auto-negotiation development. 11111 = Reserved for future auto-negotiation development. Note: Unspecified or reserved combinations must not be transmitted.	R/W	00001

1. R/W = Read/Write
 RO = Read Only
 2. Some bits have their default values determined at reset by hardware configuration pins. For default details for these bits, see [Section 5.4.4, Hardware Configuration Settings](#).

Table 45 Auto-Negotiation Link Partner Base Page Ability Register - Address 5, Hex 5

Bit	Name	Description	Type ¹	Default
5.15	Next Page	0 = Link Partner has no ability to send multiple pages. 1 = Link Partner has ability to send multiple pages.	RO	0
5.14	Acknowledge	0 = Link Partner has not received Link Code Word from the LXT972M PHY. 1 = Link Partner has received Link Code Word from the LXT972M PHY.	RO	0
5.13	Remote Fault	0 = No remote fault. 1 = Remote fault.	RO	0
5.12	Reserved	Ignore when read.	RO	0
5.11	Asymmetric Pause	Pause operation defined in IEEE 802.3 Standard, Clause 40 and 27. 0 = Link Partner is not Pause capable. 1 = Link Partner is Pause capable.	RO	0
5.10	Pause	0 = Link Partner is not Pause capable. 1 = Link Partner is Pause capable.	RO	0
5.9	100BASE-T4	0 = Link Partner is not 100BASE-T4 capable. 1 = Link Partner is 100BASE-T4 capable.	RO	0
5.8	100BASE-TX Full-Duplex	0 = Link Partner is not 100BASE-TX full-duplex capable. 1 = Link Partner is 100BASE-TX full-duplex capable.	RO	0
5.7	100BASE-TX	0 = Link Partner is not 100BASE-TX capable. 1 = Link Partner is 100BASE-TX capable.	RO	0
5.6	10BASE-T Full-Duplex	0 = Link Partner is not 10BASE-T full-duplex capable. 1 = Link Partner is 10BASE-T full-duplex capable.	RO	0
5.5	10BASE-T	0 = Link Partner is not 10BASE-T capable. 1 = Link Partner is 10BASE-T capable.	RO	0
5.4:0	Selector Field S<4:0>	<00001> = IEEE 802.3. <00010> = IEEE 802.9 ISLAN-16T. <00000> = Reserved for future auto-negotiation development. <11111> = Reserved for future auto-negotiation development. Unspecified or reserved combinations must not be transmitted.	RO	0

1. RO = Read Only

Table 46 Auto-Negotiation Expansion - Address 6, Hex 6

Bit	Name	Description	Type ¹	Default
6.15:6	Reserved	Ignore when read.	RO	0
6.5	Base Page	This bit indicates the status of the auto-negotiation variable base page. It flags synchronization with the auto-negotiation state diagram, allowing detection of interrupted links. This bit is used only if register bit 16.1 (that is, Alternate NP feature) is set. 0 = Base page = False (base page not received) 1 = Base page = True (base page received)	RO/LH	0
6.4	Parallel Detection Fault	0 = Parallel detection fault has not occurred. 1 = Parallel detection fault has occurred.	RO/LH	0
6.3	Link Partner Next Page Able	0 = Link partner is not next page able. 1 = Link partner is next page able.	RO	0
6.2	Next Page Able	0 = Local device is not next page able. 1 = Local device is next page able.	RO	1
6.1	Page Received	This bit is cleared on Read. If register bit 16.1 is set, the Page Received bit is also cleared when either mr_page_rx = false or transmit_disable = true. 1 = Indicates a new page is received and the received code word is loaded into Register 5 (Base Pages) or Register 8 (Next Pages) as specified in Clause 28 of IEEE 802.3.	RO/LH	0
6.0	Link Partner A/N Able	0 = Link partner is not auto-negotiation able. 1 = Link partner is auto-negotiation able.	RO	0

1. RO = Read Only LH = Latching High

Table 47 Auto-Negotiation Next Page Transmit Register - Address 7, Hex 7

Bit	Name	Description	Type ¹	Default
7.15	Next Page (NP)	0 = Last page 1 = Additional next pages follow	R/W	0
7.14	Reserved	Ignore when read.	RO	0
7.13	Message Page (MP)	0 = register bits 7.10:0 are user defined. 1 = register bits 7.10:0 follow IEEE message page format.	R/W	1
7.12	Acknowledge 2 (ACK2)	0 = Cannot comply with message 1 = Complies with message	R/W	0
7.11	Toggle (T)	0 = Previous value of the transmitted Link Code Word equalled logic one 1 = Previous value of the transmitted Link Code Word equalled logic zero	R/W	0
7.10:0	Message/ Unformatted Code Field	If register bits 7.13 = 0, register bits 7.10:0 are user-defined. If register bits 7.13 = 1, register bits 7.10:0 follow IEEE message page format.	R/W	0000 0000 001

1. RO = Read Only. R/W = Read/Write

Table 48 Auto-Negotiation Link Partner Next Page Receive Register - Address 8, Hex 8

Bit	Name	Description	Type ¹	Default
8.15	Next Page (NP)	0 = Link Partner has no additional next pages to send 1 = Link Partner has additional next pages to send	RO	0
8.14	Acknowledge (ACK)	0 = Link Partner has not received Link Code Word from LXT972M PHY. 1 = Link Partner has received Link Code Word from LXT972M PHY.	RO	0
8.13	Message Page (MP)	0 = register bits 8.10:0 are user defined. 1 = register bits 8.10:0 follow IEEE message page format.	RO	0
8.12	Acknowledge 2 (ACK2)	0 = Link Partner cannot comply with the message 1 = Link Partner complies with the message	RO	0
8.11	Toggle (T)	0 = Previous value of transmitted Link Code Word equal to logic one 1 = Previous value of transmitted Link Code Word equal to logic zero	RO	0
8.10:0	Message/ Unformatted Code Field	If register bit 8.13 = 0, register bits 18.10:0 are user defined. If register bit 8.13 = 1, register bits 18.10:0 follow IEEE message page format.	RO	0000 0000 00

1. RO = Read Only.

9.0 Register Definitions - Product-Specific Registers

This chapter includes definitions of product-specific LXT972M PHY registers that are defined in accordance with the IEEE 802.3 standard for adding unique device functions. (For definitions of the IEEE base registers used by the LXT972M PHY, see [Section 8.0, Register Definitions - IEEE Base Registers](#).)

- [Table 49](#) lists the register set of the product-specific registers.
- [Table 50](#) through [Table 56](#) provide bit descriptions of the product-specific registers (address 17 through 30).

Table 49 Register Set for Product-Specific Registers

Address	Register Name	Bit Assignments
16	Port Configuration Register	See Table 50
17	Status Register #2	See Table 51
18	Interrupt Enable Register	See Table 52
19	Status Change Register	See Table 53
20	LED Configuration Register	See Table 54
21	Reserved	—
22-25	Reserved	—
26	Digital Configuration Register	See Table 55
27	Reserved	—
28	Reserved	—
29	Reserved	—
30	Transmit Control Register	See Table 56
31	Reserved	—

Table 50 Configuration Register - Address 16, Hex 10 (Sheet 1 of 2)

Bit	Name	Description	Type ¹	Default
16.15	Reserved	Write as '0'. Ignore on Read.	R/W	0
16.14	Force Link Pass	0 = Normal operation 1 = Force Link pass	R/W	0
16.13	Transmit Disable	0 = Normal operation 1 = Disable Twisted Pair transmitter	R/W	0
16.12	Bypass Scrambler (10BASE-TX)	0 = Normal operation 1 = Bypass Scrambler and Descrambler	R/W	0
16.11	Reserved	Write as '0'. Ignore on Read.	R/W	0
16.10	Jabber (10BASE-T)	0 = Normal operation 1 = Disable Jabber Correction	R/W	0
16.9	SQE (10BASE-T)	0 = Disable Heart Beat 1 = Enable Heart Beat	R/W	0

1. R/W = Read /Write

Table 50 Configuration Register - Address 16, Hex 10 (Sheet 2 of 2)

Bit	Name	Description	Type ¹	Default
16.8	TP Loopback (10BASE-T)	0 = Normal operation 1 = Disable TP loopback during half-duplex operation	R/W	0
16.7	CRS Select (10BASE-T)	0 = Normal Operation 1 = CRS deassert extends to RX_DV deassert	R/W	1
16.6	Reserved	Write as '0'. Ignore on Read.	R/W	0
16.5	PRE_EN	Preamble Enable. 0 = Set RX_DV high coincident with SFD. 1 = Set RX_DV high and RXD = preamble when CRS is asserted. Note: Preamble is always enabled in 100 Mbps operation.	R/W	0
16.4:3	Reserved	Write as '0'. Ignore on Read.	R/W	00
16.2	Reserved	Write as '0'. Ignore on Read.	R/W	0
16.1	Alternate NP feature	0 = Disable alternate auto negotiate next page feature. 1 = Enable alternate auto negotiate next page feature. Note: This bit enables or disables the register bit 6.5 capability.	R/W	0
16.0	Reserved	Write as '0'. Ignore on Read.	R/W	0

1. R/W = Read /Write

Table 51 Status Register #2 - Address 17, Hex 11 (Sheet 1 of 2)

Bit	Name	Description	Type ¹	Default
17.15	Reserved	Always 0.	RO	0
17.14	10/100 Mode	0 = LXT972M PHY is not operating 100BASE-TX mode. 1 = LXT972M PHY is operating in 100BASE-TX mode.	RO	0
17.13	Transmit Status	0 = LXT972M PHY is not transmitting a packet. 1 = LXT972M PHY is transmitting a packet.	RO	0
17.12	Receive Status	0 = LXT972M PHY is not receiving a packet. 1 = LXT972M PHY is receiving a packet.	RO	0
17.11	Collision Status	0 = No collision. 1 = Collision is occurring.	RO	0
17.10	Link	0 = Link is down. 1 = Link is up.	RO	0
17.9	Duplex Mode	0 = Half-duplex. 1 = Full-duplex.	RO	0
17.8	Auto-Negotiation	0 = LXT972M PHY is in manual mode. 1 = LXT972M PHY is in auto-negotiation mode.	RO	0

1. RO = Read Only. R/W = Read/Write

Table 51 Status Register #2 - Address 17, Hex 11 (Sheet 2 of 2)

Bit	Name	Description	Type ¹	Default
17.7	Auto-Negotiation Complete	0 = Auto-negotiation process not completed. 1 = Auto-negotiation process completed. This bit is valid only when auto negotiate is enabled. The value is equivalent to the value of register bit 1.5.	RO	0
17.6	Reserved	Always 0.	RO	0
17.5	Polarity	0 = Polarity is not reversed. 1 = Polarity is reversed. Note: Polarity is not a valid status in 100 Mbps mode.	RO	0
17.4	Pause	0 = The LXT972M PHY is not Pause capable. 1 = The LXT972M PHY is Pause capable.	R	0
17:3	Error	0 = No error occurred 1 = Error occurred (Remote Fault, jabber, parallel detect fault) Note: The register bit is cleared when the registers that generate the error condition are read.	RO	0
17:2	Reserved	Always 0.	RO	0
17:1	Reserved	Always 0.	RO	0
17.0	Reserved	Always 0.	RO	0

1. RO = Read Only. R/W = Read/Write

Table 52 Interrupt Enable Register - Address 18, Hex 12

Bit	Name	Description	Type ¹	Default
18.15:9	Reserved	Write as '0'. Ignore on Read.	R/W	N/A
18.8	Reserved	Write as '0'. Ignore on Read.	R/W	0
18.7	ANMSK	Mask for Auto Negotiate Complete 0 = Do not allow event to cause interrupt. 1 = Enable event to cause interrupt.	R/W	0
18.6	SPEEDMSK	Mask for Speed Interrupt 0 = Do not allow event to cause interrupt. 1 = Enable event to cause interrupt.	R/W	0
18.5	DUPLEXMSK	Mask for Duplex Interrupt 0 = Do not allow event to cause interrupt. 1 = Enable event to cause interrupt.	R/W	0
18.4	LINKMSK	Mask for Link Status Interrupt 0 = Do not allow event to cause interrupt. 1 = Enable event to cause interrupt.	R/W	0
18.3	Reserved	Write as '0'. Ignore on Read.	R/W	0
18.2	Reserved	Write as '0'. Ignore on Read.	R/W	0
18.1	Reserved	Write as '0'. Ignore on Read. Question 1	R/W	0
18.0	Reserved	Write as '0'. Ignore on Read.	R/W	0

1. R/W = Read /Write

Table 53 Status Change Register - Address 19, Hex 13 (Sheet 1 of 2)

Bit	Name	Description	Type ¹	Default
19.15:9	Reserved	Ignore on Read.	RO	N/A
19.8	Reserved	Ignore on Read.	RO	0
19.7	ANDONE	Auto-negotiation Status 0 = Auto-negotiation has not completed. 1 = Auto-negotiation has completed.	RO/ SC	N/A
19.6	SPEEDCHG	Speed Change Status 0 = A Speed Change has not occurred since last reading this register. 1 = A Speed Change has occurred since last reading this register.	RO/ SC	0
19.5	DUPLEXCHG	Duplex Change Status 0 = A Duplex Change has not occurred since last reading this register. 1 = A Duplex Change has occurred since last reading this register.	RO/ SC	0

1. R/W = Read/Write, RO = Read Only, SC = Self Clearing.

Table 53 Status Change Register - Address 19, Hex 13 (Sheet 2 of 2)

Bit	Name	Description	Type ¹	Default
19.4	LINKCHG	Link Status Change Status 0 = A Link Change has not occurred since last reading this register. 1 = A Link Change has occurred since last reading this register.	RO/ SC	0
19.3	Reserved	Ignore on Read.	RO	0
19.2	Reserved	Ignore on Read.	RO	0
19.1	Reserved	Ignore on Read.	RO	0
19.0	Reserved	Ignore on Read.	RO	0

1. R/W = Read/Write, RO = Read Only, SC = Self Clearing.

Table 54 LED Configuration Register - Address 20, Hex 14 (Sheet 1 of 2)

Bit	Name	Description	Type ¹	Default
20.15:12	LED1 Programming bits	0000 = Display Speed Status (Continuous, Default) 0001 = Display Transmit Status (Stretched) 0010 = Display Receive Status (Stretched) 0011 = Display Collision Status (Stretched) 0100 = Display Link Status (Continuous) 0101 = Display Duplex Status (Continuous) 0110 = Unused 0111 = Display Receive or Transmit Activity (Stretched) 1000 = Test mode - turn LED on (Continuous) 1001 = Test mode - turn LED off (Continuous) 1010 = 1010 = Test mode - blink LED fast (Continuous) 1011 = Test mode - blink LED slow (Continuous) 1100 = Display Link and Receive Status combined ² (Stretched) ³ 1101 = Display Link and Activity Status combined ² (Stretched) ³ 1110 = Display Duplex and Collision Status combined ⁴ (Stretched) ³ 1111 = Unused	R/W	0000
20.11:8	LED2 Programming bits	0000 = 0000 = Display Speed Status 0001 = Display Transmit Status 0010 = Display Receive Status 0011 = Display Collision Status 0100 = Display Link Status (Default) 0101 = Display Duplex Status 0110 = Unused 0111 = Display Receive or Transmit Activity 1000 = Test mode - turn LED on 1001 = Test mode - turn LED off 1010 = Test mode - blink LED fast 1011 = Test mode - blink LED slow 1100 = Display Link and Receive Status combined ² (Stretched) ³ 1101 = Display Link and Activity Status combined ² (Stretched) ³ 1110 = Display Duplex and Collision Status combined ⁴ (Stretched) ³ 1111 = Unused	R/W	0100
<ol style="list-style-type: none"> 1. R/W = Read /Write. RO = Read Only. LH = Latching High 2. Link status is the primary LED driver. The LED is asserted (solid ON) when the link is up. The secondary LED driver (Receive or Activity) causes the LED to change state (blink). Activity causes the LED to blink, regardless of the link status. 3. Combined event LED settings are not affected by Pulse Stretch register bit 20.1. These display settings are stretched regardless of the value of 20.1. 4. Duplex status is the primary LED driver. The LED is asserted (solid ON) when the link is full-duplex. Collision status is the secondary LED driver. The LED changes state (blinks) when a collision occurs. 5. Values are approximations. Not guaranteed or production tested. 				

Table 54 LED Configuration Register - Address 20, Hex 14 (Sheet 2 of 2)

Bit	Name	Description	Type ¹	Default
20.7:4	LED3 Programming bits	0000 = Display Speed Status 0001 = Display Transmit Status 0010 = Display Receive Status (Default) 0011 = Display Collision Status 0100 = Display Link Status 0101 = Display Duplex Status 0110 = Unused 0111 = Display Receive or Transmit Activity 1000 = Test mode- turn LED on 1001 = Test mode- turn LED off 1010 = Test mode- blink LED fast 1011 = Test mode- blink LED slow 1100 = Display Link and Receive Status combined ² (Stretched) ³ 1101 = Display Link and Activity Status combined ² (Stretched) ³ 1110 = Display Duplex and Collision Status combined ⁴ (Stretched) ³ 1111 = Unused	R/W	0010
20.3:2	LEDFREQ ⁵	00 = Stretch LED events to 30 ms. 01 = Stretch LED events to 60 ms. 10 = Stretch LED events to 100 ms. 11 = Reserved.	R/W	00
20.1	PULSE-STRETCH	0 = Disable pulse stretching of all LEDs. 1 = Enable pulse stretching of all LEDs.	R/W	1
20.0	Reserved	Write as '0'. Ignore on Read.	R/W	0
1. R/W = Read /Write. RO = Read Only. LH = Latching High 2. Link status is the primary LED driver. The LED is asserted (solid ON) when the link is up. The secondary LED driver (Receive or Activity) causes the LED to change state (blink). Activity causes the LED to blink, regardless of the link status. 3. Combined event LED settings are not affected by Pulse Stretch register bit 20.1. These display settings are stretched regardless of the value of 20.1. 4. Duplex status is the primary LED driver. The LED is asserted (solid ON) when the link is full-duplex. Collision status is the secondary LED driver. The LED changes state (blinks) when a collision occurs. 5. Values are approximations. Not guaranteed or production tested.				

Table 55 Digital Configuration Register - Address 26, Hex 1A (Sheet 1 of 2)

Bit	Name	Description	Type ¹	Default
26.15:12	Reserved	Write as '0'. Ignore on Read.	R/W	0000
26.11	MII Drive Strength	MII Drive Strength 0 = Normal MII drive strength 1 = Increase MII drive strength	R/W	0
26.10	Reserved	Write as '0'. Ignore on Read.	R/W	0
26.9	Show Symbol Error	Show Symbol Error 0 = Normal MII_RXER 1 = 100BASE-X Error Signal to MII_RxER	R/W	0
26.8:6	Reserved	Write as '0'. Ignore on Read.	RO	0
1. R/W = Read /Write, RO = Read Only				

Table 55 Digital Configuration Register - Address 26, Hex 1A (Sheet 2 of 2)

Bit	Name	Description	Type ¹	Default
26.5:4	Reserved	Write as '0'. Ignore on Read.	R/W	00
26.3	Reserved	Write as '0'. Ignore on Read.	RO	0
26.2:0	Reserved	Write as '0'. Ignore on Read.	R/W	0

1. R/W = Read /Write, RO = Read Only

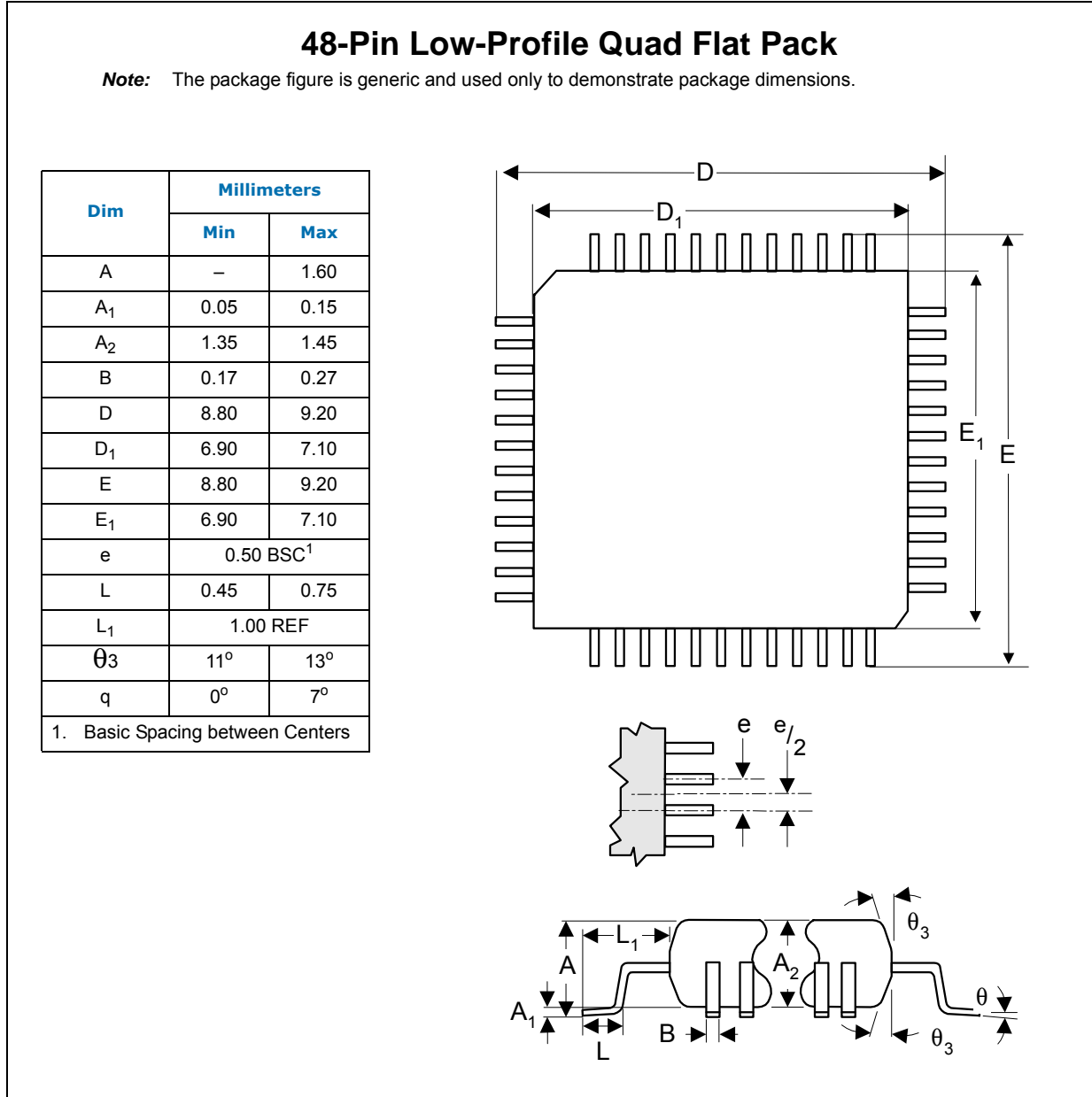
Table 56 Transmit Control Register - Address 30, Hex 1E

Bit	Name	Description	Type ²	Default
30.15:13	Reserved	Write as '0'. Ignore on Read.	R/W	000
30.12	Transmit Low Power	Transmit Low Power 0 = Normal transmission. 1 = Forces the transmitter into low power mode. Also forces a zero-differential transmission.	R/W	0
30.11:10	Port Rise Time Control ¹	Port Rise Time Control 00 = 3.0 ns (Default = Setting on TXSLEW[1:0] pins) 01 = 3.4 ns 10 = 3.9 ns 11 = 4.4 ns	R/W	Note 3
30.4:0	Reserved	Ignore on Read.	R/W	0

1. Values are approximations and may vary outside indicated values based upon implementation loading conditions.
 2. R/W = Read/Write
 3. Latch State during Reset is based on the state of hardware configuration pins at RESET_L.

10.0 Package Specifications

Figure 35 LQFP Package Specifications



Contact Information

Cortina Systems, Inc.
840 W. California Ave
Sunnyvale, CA 94086

408-481-2300

sales@cortina-systems.com

apps@cortina-systems.com

www.cortina-systems.com

For additional product and ordering information:

www.cortina-systems.com

To provide comments on this document:

documentation@cortina-systems.com

X-ON Electronics

Largest Supplier of Electrical and Electronic Components

Click to view similar products for [Other Tools](#) category:

Click to view products by [Inphi](#) manufacturer:

Other Similar products are found below :

[CR-05FL7--150R](#) [CR-05FL7--698K](#) [899-2-KT46](#) [899-5-KT46](#) [CR-0AFL4--332K](#) [CR-12FP4--260R](#) [CRCW04021100FRT7](#)
[CRCW04021961FRT7](#) [5800-0090](#) [CRCW04024021FRT7](#) [CRCW040254R9FRT7](#) [CRCW0603102JRT5](#) [59065-5](#) [00-8273-RDPP](#) [00-8729-](#)
[WHPP](#) [593033](#) [593058](#) [593072](#) [593564100](#) [593575](#) [593591](#) [593593](#) [011349-000](#) [LTLA506SBLAMNBL](#) [CRCW08052740FRT1](#) [LUC-](#)
[012S070DSM](#) [LUC-018S070DSP](#) [599-2021-3-NME](#) [599-JJ-2021-03](#) [00-5080-YWPP](#) [5E4750/01-20R0-T/R](#) [LW1A-L1-GL](#) [LW1A-P1-GD](#)
[LW1L-A1C10V-GL](#) [LW1L-M1C70-A](#) [0202-0173](#) [00-9089-RDPP](#) [00-9300-RDPP](#) [CRCW2010331JR02](#) [01-1003W-8/32-10](#) [601-GP-08-](#)
[KT39](#) [601-JJ-06](#) [601-SPB](#) [601YSY](#) [602-JJ-03](#) [602SPB](#) [602Z](#) [603-JJ-07-FP](#) [603-JJY-04](#) [604J](#)