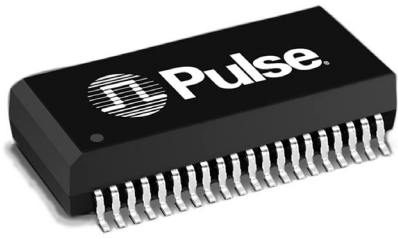








10/100BASE-TX QUAD-PORT TRANSFORMER MODULES

Military / Aerospace Grade



-  Compliant with IEEE 802.3u and ANSI X3.263 standards
-  350µH OCL with 8mA bias
-  Operating and storage temperature: -40°C to +85°C
-  IC grade transfer-molded package withstands 235°C peak temperature profile
-  AS9100 Certified (Based on and including ISO 9001:2000)
-  MSL: 3

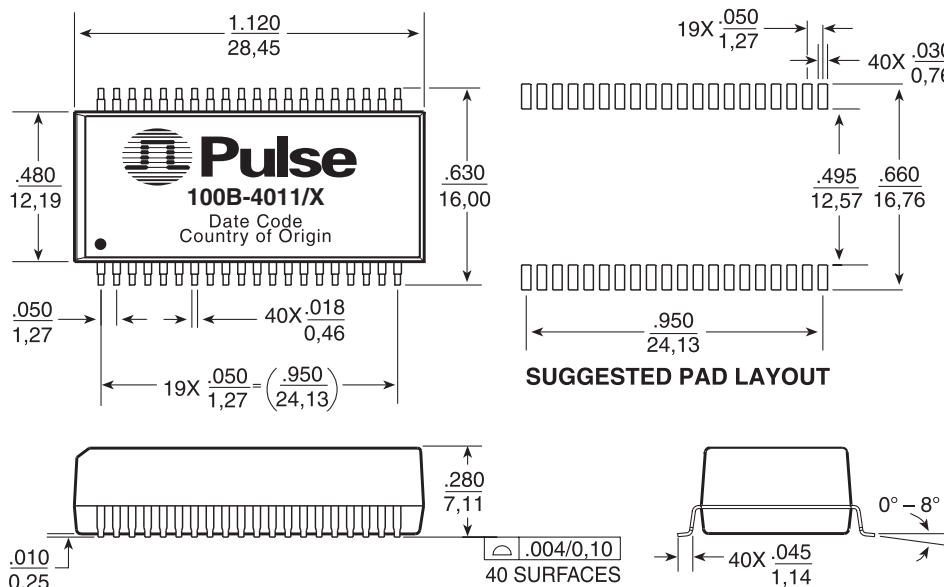
Electrical Specifications @ 25°C

Part ^{1,2,3} Number	Insertion Loss (dB MAX)	Return Loss (db MIN)					Crosstalk (db MAX)				Differential to Common Mode Rejection (db MIN)			
		0.1 - 100MHz	5MHz	30MHz	60MHz	80MHz	1MHz	30MHz	60MHz	80MHz	30MHz	60MHz	80MHz	200MHz
100B-4011	-1.2	-16	-16	-12	-12	-50	-43	-37	-33	-42	-37	-33	-25	

Notes: 1. Add suffix X for extended temp version (ie. 100B-4011X); 2. Add suffix NL for RoHS compliant version (100B-4011NL); 3. Add suffix T for tape and reel

Mechanical

100B-4011X



Weight 4.0 grams TYP
Tape and Reel 250/reel
Tray 15/tray

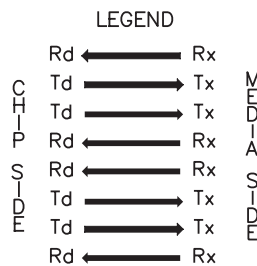
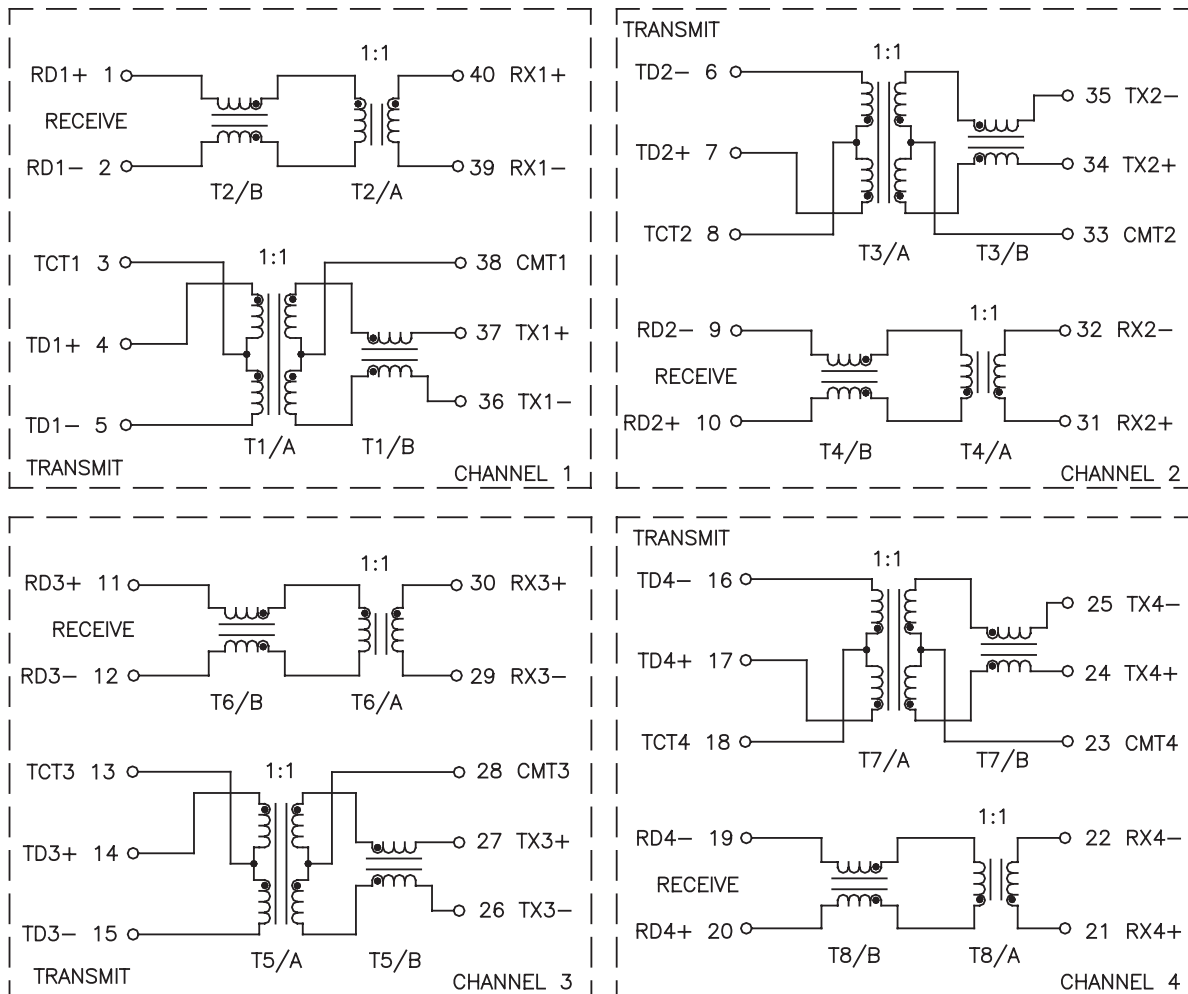
Dimensions: $\frac{\text{Inches}}{\text{mm}}$
Unless otherwise specified, all tolerances are $\pm \frac{.010}{0,25}$

10/100BASE-TX QUAD-PORT TRANSFORMER MODULES

Military / Aerospace Grade



Schematics



ALL CHANNELS ARE IN PHASE BETWEEN INPUT AND OUTPUT

For More Information:

Pulse Worldwide Headquarters
Two Pearl Buck Court
Bristol, PA 19007
U.S.A.

Pulse Europe
Zeppelinstrasse 15
D-71083 Herrenberg
Germany

Pulse China Headquarters
B402, Shenzhen Academy of
Aerospace Technology Bldg.
10th Kejinan Rd.
High-Tech Zone
Nanshan District
Shenzhen, PR China 518057

Pulse North China
Room 2704/2705
Super Ocean Finance Ctr.
2067 Yan An Rd. West
Shanghai 200336
China

Pulse South Asia
135 Joo Seng Rd.
#03-02
PM Industrial Bldg.
Singapore 368363

Pulse North Asia
3F, No. 198
Zhongyuan Rd.
Zhongli City
Taoyuan County 320
Taiwan R. O. C.

www.pulseeng.com

Tel: 215 781 6400

Fax: 215 781 6403

Tel: 49 7032 7806 0

Fax: 49 7032 7806 135

Tel: 86 755 33966678

Fax: 86 755 33966700

Tel: 86 21 62787060

Fax: 86 2162786973

Tel: 65 6287 8998

Fax: 65 6287 8998

Tel: 886 3 4356768

Fax: 886 3 4356823 (Pulse)

Fax: 886 3 4356820 (FRE)

Performance warranty of products offered on this data sheet is limited to the parameters specified. Data is subject to change without notice. Other brand and product names mentioned herein may be trademarks or registered trademarks of their respective owners. © Copyright, 2010. Pulse Engineering, Inc. All rights reserved.

X-ON Electronics

Largest Supplier of Electrical and Electronic Components

Click to view similar products for [Audio Transformers](#) / [Signal Transformers](#) category:

Click to view products by [iNRCORE](#) manufacturer:

Other Similar products are found below :

[CX2041NLT](#) [MGPWT-00449-P](#) [PE-64961](#) [H1302FNLT](#) [H5008FNL](#) [H5012FNL](#) [H5020FNLT](#) [H5077NLT](#) [H5079NLT](#) [H5084FNLT](#)
[B78476A9558A003](#) [1812WBT2-4](#) [1879479-1](#) [HX2260FNL](#) [HX5014FNL](#) [EX2024FNL](#) [FL1066](#) [T1137NLT](#) [T3012NL](#) [PE-65812FNL](#) [PE-](#)
[65848FNLT](#) [H1174FNL](#) [H1302FNL](#) [H5015FNL](#) [H5019EFNL](#) [H5062FNLT](#) [CX2047LNL](#) [MGPWT-00059-P](#) [MGPWT-00266-P](#) [MGPWT-](#)
[00278-P](#) [MGPWT-00431-P](#) [TTC-100](#) [TTC-143-H](#) [TTC-5032-1](#) [BX1194WNLT](#) [HX1234NLT](#) [HX5008FNLT](#) [HX5019FNL](#) [HX5084NL](#) [3-](#)
[1879385-5](#) [TX1263NLT](#) [4-1879391-0](#) [T1142NL](#) [HX6101FNL](#) [HX5084FNL](#) [HX1148NL](#) [HX5020FNLT](#) [HX5014FNLT](#) [T1124NL](#)
[1879732-1](#)