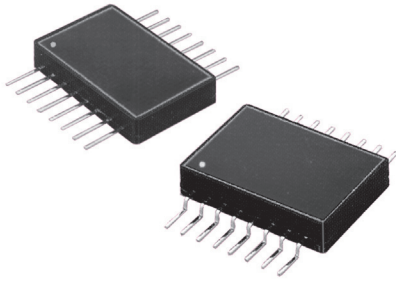
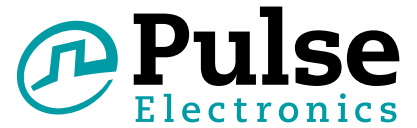


MIL-STD-1553 Transformers

Low Profile SMT Dual non-QPL Interface Transformers



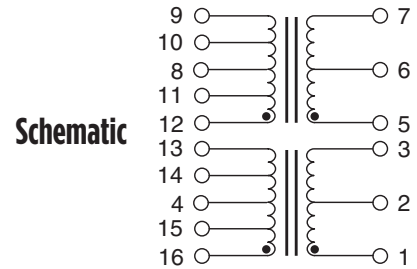
These non-QPL interface transformers are built and tested in ISO 9001 approved facilities. They conform to all electrical and physical parameters of MIL-PRF-21038/27. Choose one of three operating temperature ranges including 0° to +70°C, -40° to +85°C, or -55° to +125°C.

| Operating Temperature | Flat Pack Prefix | Gull Wing Prefix |
|-----------------------|------------------|------------------|
| 0° to +70°C | DFLC | DGLC |
| -40° to +85°C | DFLN | DGLN |
| -55° to +125°C | DFL | DGL |

| Summary Performance Specifications | |
|------------------------------------|-------------------|
| Impedance | (see table below) |
| Droop | 20% |
| Overshoot | ±1V MAX |
| Common Mode Rejection (CMR) | 45dB |
| Frequency Range (no load) | 75kHz to 1MHz |
| Operating Temperature Range | (see table above) |
| Weight | 5 grams |
| Insulation Resistance (MIN) | 10K MΩ @ 250Vdc |
| Dielectric Withstanding Voltage | 100Vrms |

- Dual ratio, dual interface (see schematic)
- Surface Mount, flat pack or gull wing package
- MSL: 3
- For use in MIL-STD-1553 applications
- Low profile, 0.155 inches height
- Performance to MIL-PRF-21038 requirements
- Built in ISO 9001 facility
- Applicable specifications:

- MIL-STD-1553B
- MIL-STD-202
- MIL-PRF-21038
- ISO 9001

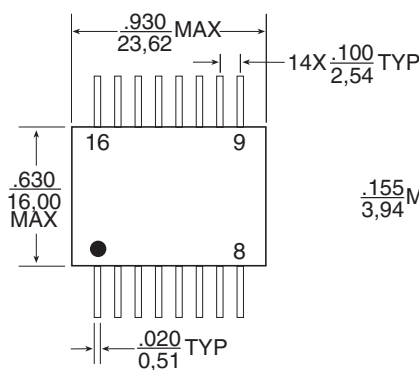


| Characteristics | | | | |
|----------------------------|-------------------------|-------------|-------------------|-------------------|
| Part Number ¹ | Terminals | Ratio (±3%) | RDC (Ω MAX) | Impedance (Ω MIN) |
| (XXXX)1553-1 | 1-3: 16-13 / 5-7: 12-9 | 1CT:1CT | 1-3, 5-7 = 3.0 | (1-3, 5-7) |
| | 1-3: 15-14 / 5-7: 11-10 | 1CT:707CT | 16-13, 12-9 = 3.0 | 4,000 |
| (XXXX)1553-2 | 1-3: 16-13 / 5-7: 12-9 | 1.4CT:1CT | 1-3, 5-7 = 3.5 | (1-3, 5-7) |
| | 1-3: 15-14 / 5-7: 11-10 | 2CT:1CT | 16-13, 12-9 = 3.0 | 7,200 |
| (XXXX)1553-3 | 1-3: 16-13 / 5-7: 12-9 | 1.25CT:1CT | 1-3, 5-7 = 3.2 | (1-3, 5-7) |
| | 1-3: 15-14 / 5-7: 11-10 | 1.66CT:1CT | 16-13, 12-9 = 3.0 | 4,000 |
| (XXXX)1553-5 ² | 1-3: 16-13 / 5-7: 12-9 | 1CT:2.12CT | 1-3, 5-7 = 1.0 | (16-13, 12-9) |
| | 1-3: 15-14 / 5-7: 11-10 | 1CT:1.5CT | 16-13, 12-9 = 3.5 | 4,000 |
| (XXXX)1553-45 ² | 1-3: 16-13 / 5-7: 12-9 | 1CT:2.5CT | 1-3, 5-7 = 1.0 | (16-13, 12-9) |
| | 1-3: 15-14 / 5-7: 11-10 | 1CT:1.79CT | 16-13, 12-9 = 3.5 | 4,000 |

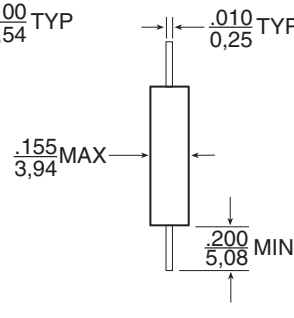
NOTE: 1. Refer to prefix table (above) to select temperature range. 2. Designed for transceivers utilizing a single supply voltage (+5V).

Mechanicals

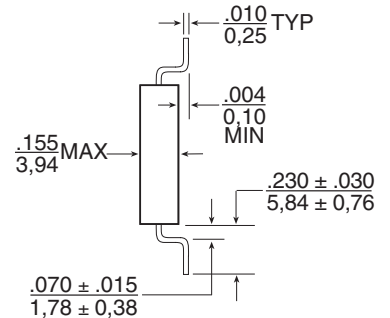
- Notes:**
- All dimensions are in inches.
 - Tolerances: .xx = ±.008
 - All specifications and dimensions are subject to change without notice.



Flat Pack



Gull Wing



MIL-PRF-21038/27 Inspection, Sampling, Testing

| Table 1 — Group A Inspection | | | | | |
|------------------------------|---------------|---|--------------------|---|--------------------|
| Level “C”*** | | Level “M” | | Level “T” | |
| Tests | Sampling Plan | Tests | Sampling Plan | Tests | Sampling Plan |
| N/A | N/A | Electrical Characteristics per MIL-PRF-21038/27 | Sample per Table 3 | Thermal Shock | 100% |
| N/A | N/A | Visual and Mechanical Inspection | Sample per Table 3 | Winding Continuity | 100% |
| N/A | N/A | N/A | N/A | Electrical Characteristics per MIL-PRF-21038/27 | 100% |
| N/A | N/A | N/A | N/A | Impedance | Sample per Table 3 |
| N/A | N/A | N/A | N/A | Visual and Mechanical Inspection | Sample per Table 3 |

| Table 2 — Group B Inspection | | | | | |
|------------------------------|---------------|---------------------------------|--------------------|---------------------------------|--------------------|
| Level “C”*** | | Level “M” | | Level “T” | |
| Tests | Sampling Plan | Tests | Sampling Plan | Tests | Sampling Plan |
| N/A | N/A | Dielectric Withstanding Voltage | Sample per Table 3 | Dielectric Withstanding Voltage | Sample per Table 3 |
| N/A | N/A | Insulation Resistance | Sample per Table 3 | Insulation Resistance | Sample per Table 3 |

| Table 3 — Sampling Plans for Group A and Group B Inspections | | |
|--|-------------------------------|---------|
| Lot Size | Group A, Group II Inspections | Group B |
| 1 to 5 | All | All |
| 6 to 13 | All | 5 |
| 14 to 50 | 13 | 5 |
| 51 to 90 | 13 | 7 |
| 91 to 150 | 13 | 11 |
| 151 to 280 | 20 | 13 |
| 281 to 500 | 29 | 16 |
| 501 to 1200 | 34 | 19 |
| 1,201 to 3,200 | 42 | 23 |
| 3,201 to 10,000 | 50 | 29 |

****NOTE:** Parts ordered to Level C are certified to comply with MIL-PRF-21038 Level C, however testing is performed per manufacturer’s internal requirements and sampling rates.

For More Information

Pulse North America Headquarters
Two Pearl Buck Court
Bristol, PA 19007
U.S.A.

Pulse Europe
Zeppelinstrasse 15
71083 Herrenberg
Germany

Pulse China Headquarters
B402, Shenzhen Academy of
Aerospace Technology Bldg.
10th Kejian Road
High-Tech Zone
Nanshan District
Shenzen, PR China 518057
Tel: 86 755 33966678
Fax: 86 755 33966700

Pulse North China
Room 2704/2705
Super Ocean Finance Ctr.
2067 Yan An Road West
Shanghai 200336
China
Tel: 86 21 62787060
Fax: 86 21 62786973

Pulse South Asia
135 Joo Seng Road
#03-02
PM Industrial Bldg.
Singapore 368363
Tel: 65 6287 8998
Fax: 65 6287 8998

Pulse North Asia
3F No. 198, Zhongyuan Road
Zhongli City
Taoyuan County (32068)
Taiwan
Tel: 886 3 4356768
Fax: 886 3 4356823

Performance warranty of products offered on this data sheet is limited to the parameters specified. Data is subject to change without notice. Other brand and product names mentioned herein may be trademarks or registered trademarks of their respective owners. © Copyright, 2013. Pulse Electronics, Inc. All rights reserved.

X-ON Electronics

Largest Supplier of Electrical and Electronic Components

Click to view similar products for [Audio Transformers](#) / [Signal Transformers](#) category:

Click to view products by [iNRCORE](#) manufacturer:

Other Similar products are found below :

[CX2041NLT](#) [MGPWT-00449-P](#) [PE-64961](#) [H1302FNLT](#) [H5008FNL](#) [H5012FNL](#) [H5020FNLT](#) [H5077NLT](#) [H5079NLT](#) [H5084FNLT](#)
[B78476A9558A003](#) [1812WBT2-4](#) [1879479-1](#) [HX2260FNL](#) [HX5014FNL](#) [EX2024FNL](#) [FL1066](#) [T1137NLT](#) [T3012NL](#) [PE-65812FNL](#) [PE-](#)
[65848FNLT](#) [H1174FNL](#) [H1302FNL](#) [H5015FNL](#) [H5019EFNL](#) [H5062FNLT](#) [CX2047LNL](#) [MGPWT-00059-P](#) [MGPWT-00266-P](#) [MGPWT-](#)
[00278-P](#) [MGPWT-00431-P](#) [TTC-100](#) [TTC-143-H](#) [TTC-5032-1](#) [BX1194WNLT](#) [HX1234NLT](#) [HX5008FNLT](#) [HX5019FNL](#) [HX5084NL](#) [3-](#)
[1879385-5](#) [TX1263NLT](#) [4-1879391-0](#) [T1142NL](#) [HX6101FNL](#) [HX5084FNL](#) [HX1148NL](#) [HX5020FNLT](#) [HX5014FNLT](#) [T1124NL](#)
[1879732-1](#)