

HIGH FREQUENCY BALUN ADAPTOR

For: SMPTE-292M HDTV
Ruggedized



- ⚙ Transforms 100Ω balanced differential signal to 75Ω , grounded unbalanced signal
- ⚙ Designed for SMPTE-292M HDTV application at 1.485GBs data rate
- ⚙ Storage Temperature: -55°C to +125°C
- ⚙ Moisture Sensitivity Level: 1

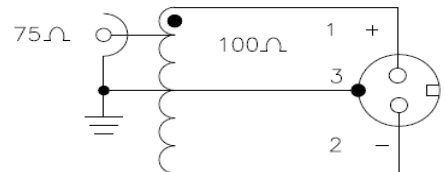
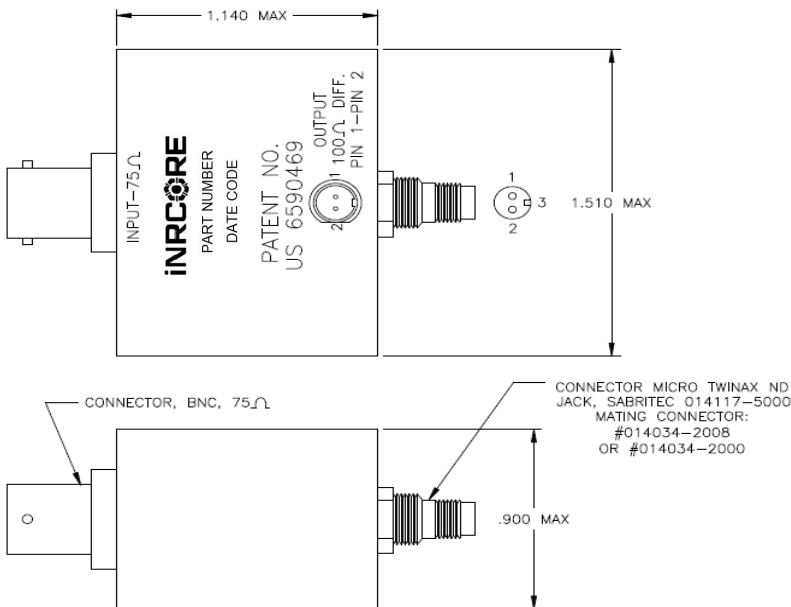
Electrical Specifications @ 25 °C – Operating Temperature – 55 °C to +125 °C

Part Number	Impedance Unbalanced	Impedance Balanced	Insertion Loss db MAX. 1.485 GBs	Jitter Dj pSec. Max. 1.485 GBs, PN7
HFB075100A	75	100	-2.0	110.0
HFB075100B	75	100	-2.0	110.0
HFBL075100A	75	100	-2.0	110.0
HFBL075100B	75	100	-2.0	110.0

Mechanical

Electrical Schematic

HFB075100A



HIGH FREQUENCY BALUN ADAPTOR

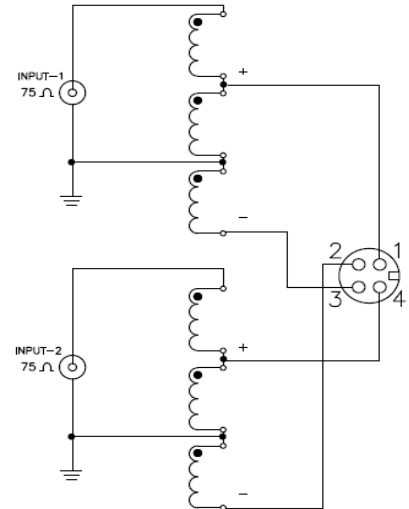
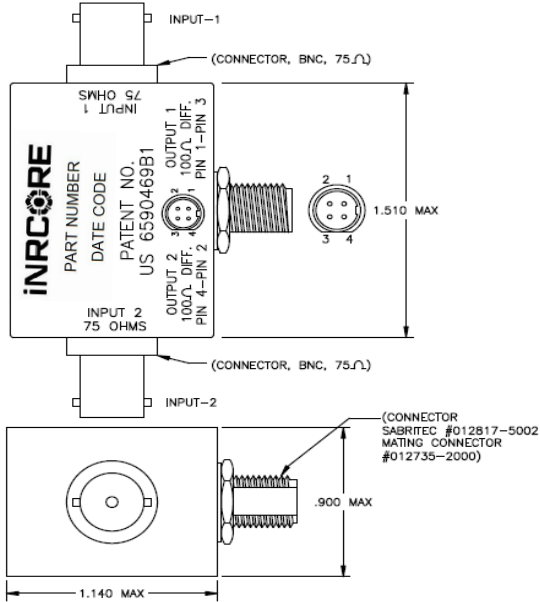
For: SMPTE-292M HDTV
Ruggedized



Mechanical

Electrical Schematic

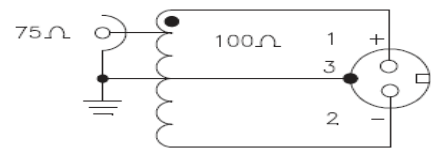
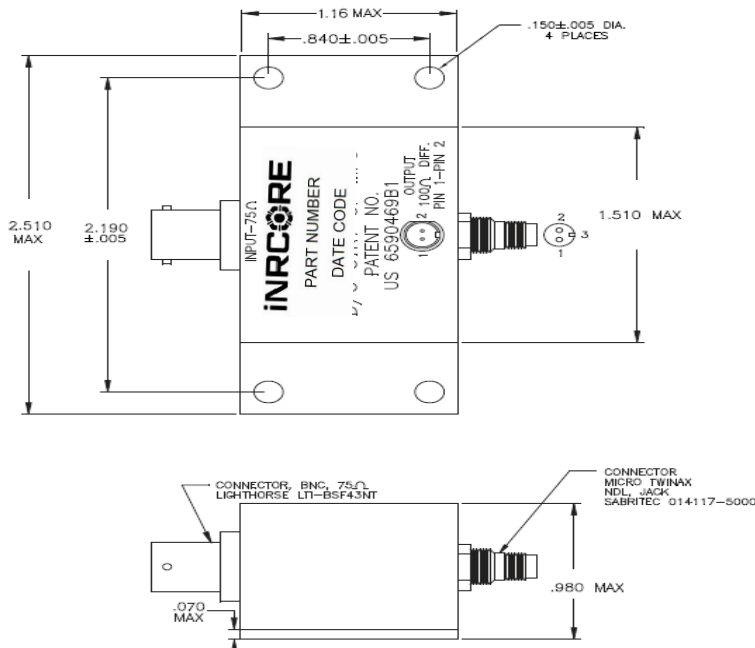
HFB075100B



Mechanical

Electrical Schematic

HFB075100A



HIGH FREQUENCY BALUN ADAPTOR

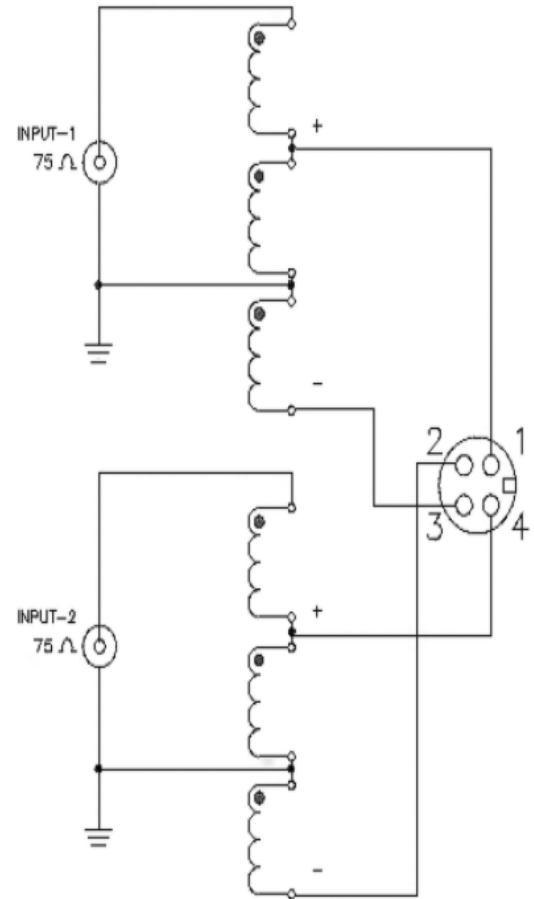
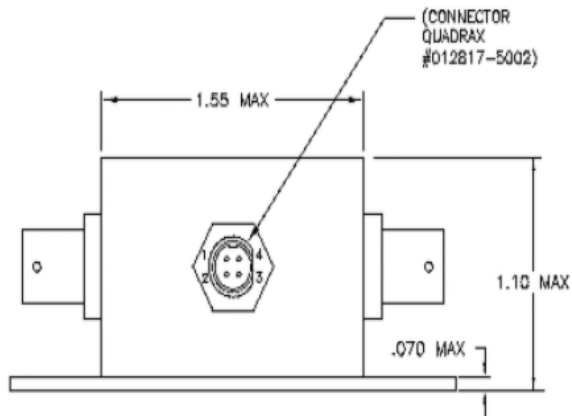
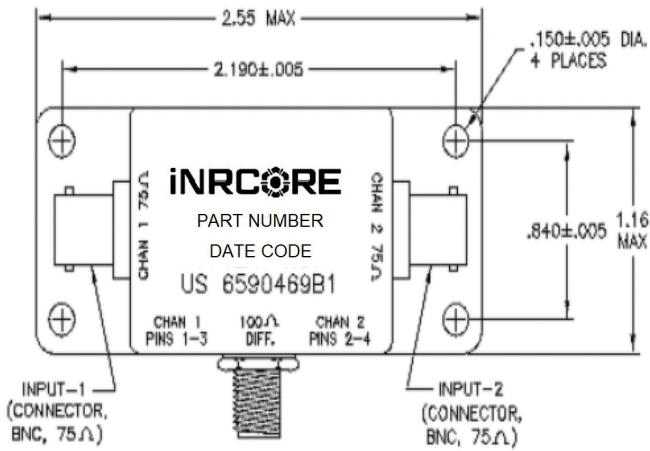
For: SMPTE-292M HDTV
Ruggedized



Mechanical

Electrical Schematic

HFBL075100B

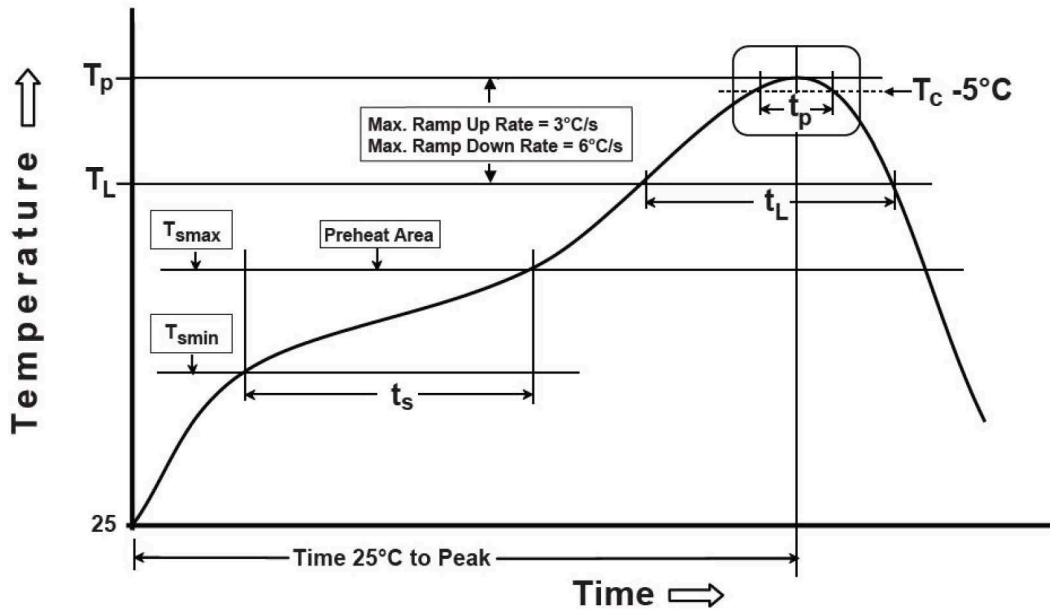


HIGH FREQUENCY BALUN ADAPTOR

For: SMPTE-292M HDTV
Ruggedized



Tin/Lead Recommended Reflow Profile (Based on J-STD-020D)



T_{SMIN} (°C)	T_{SMAX} (°C)	T_L (°C)	T_P (°C MAX)	t_s (s)	t_L (s)	t_p (s MAX)	Ramp-up rate (T_L to T_P)	Ramp-down rate (T_P to T_L)	Time 25°C to peak temperature (s MAX)
100	150	183	235	60-120	60-150	20	3°C/s MAX	6°C/s MAX	360

Notes:

1. All temperatures measured on the package leads.
2. Maximum times of reflow cycle: 2.

For More Information

iNRCORE, LLC
311 Sinclair Road Bristol,
PA 19007-6812 U.S.A
Tel: + 1.215.781.6400
Fax: +1.215.7816430

Global Sales Representatives and Locations:
<http://www.incore.com>

Performance warranty of products offered on this data sheet is limited to the parameters specified. Data is subject to change without notice. Other brand and product names mentioned herein may be trademarks or registered trademarks of their respective owners. © Copyright, 2020. iNRCORE, LLC. All rights reserved.



X-ON Electronics

Largest Supplier of Electrical and Electronic Components

Click to view similar products for [Audio Transformers](#) / [Signal Transformers](#) category:

Click to view products by [iNRCORE](#) manufacturer:

Other Similar products are found below :

[CU4S0506AT-2655-H1](#) [MGPWT-00449-P](#) [PE-64961](#) [1812WBT2-4](#) [BX1194WNL](#) [1879479-1](#) [PA1528ANL](#) [T1137NLT](#) [PE-65848FNLT](#)
[H5019EFNL](#) [CX2045ALNLT](#) [TG1G-E201NV6LF](#) [MGPWT-00059-P](#) [MGPWT-00266-P](#) [MGPWT-00278-P](#) [MGPWT-00431-P](#) [TTC-100](#)
[TTC-143-H](#) [TTC-5032-1](#) [4-1879391-0](#) [100213](#) [T1142NL](#) [TG1G-S001NZLF](#) [T1124NL](#) [1879732-1](#) [2-1879391-5](#) [MABA-010321-CT1A42](#)
[TX1341NL](#) [H0013FNL](#) [H5020FNL](#) [H2009FNLT](#) [H5004NLT](#) [S553-5999-52-F](#) [SCMS7D43AY100PT1](#) [T5008NLT](#) [PE-68517T](#) [MGPWT-](#)
[00339-P](#) [H5014FNLT](#) [TX1473NLT](#) [PE-69011NLT](#) [CX2043LNLT](#) [H7137FNLT](#) [H1259NLT](#) [TX1344NLT](#) [LM-LP-1005L](#) [H0013NLT](#)
[S558-5500-JV](#) [TX1193NLT](#) [T7015NL](#) [T1124NLT](#)