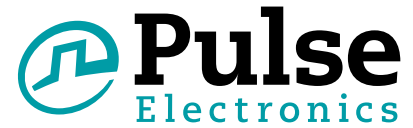


# SMT Gate Drive Transformer

1500Vdc Basic and Operational Insulation



- Maximum Reflow Temperature: +235°C
- Storage Temperature: -55°C to +125°C
- Moisture Sensitivity Level (MSL): 3
- 1500 V<sub>DC</sub> isolation between Gate and Drive
- Basic Insulation (1.4mm creepage/clearance) and operational available
- Part designed for rugged environments
- Construction techniques assure excellent resistance to vibration and shock
- Operating frequency: 50kHz and up
- Tape and Reel packaging available

## Electrical Specifications @ 25°C — Operating Temperature -40°C to +130°C

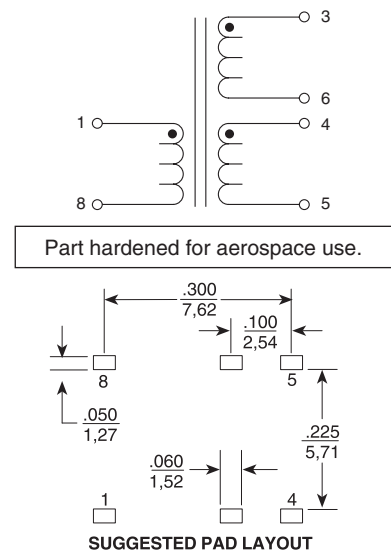
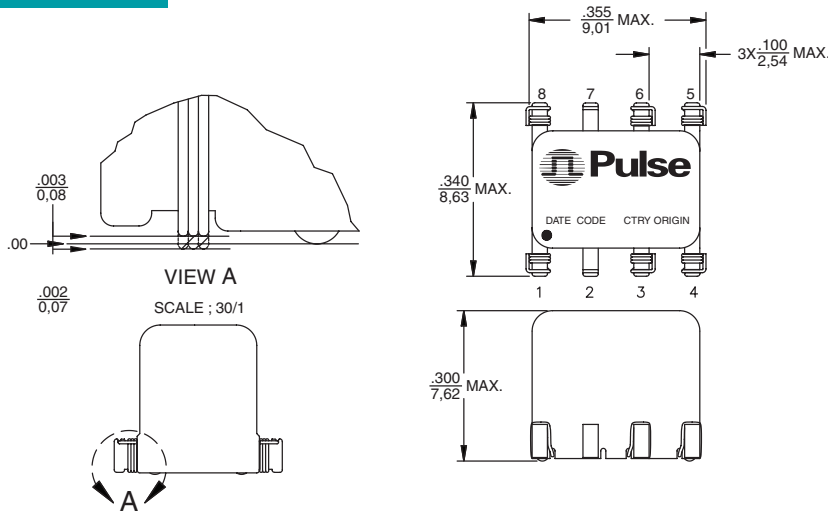
Part Number	Turns Ratio	Pri-Sec Isolation (V <sub>DC</sub> )	MAX <sup>1</sup> V*μsec	Primary Inductance (mH MIN)	Leakage <sup>2</sup> Inductance (μH MAX)	DCR Primary (Ω MAX)	DCR Secondary (Ω MAX)	Package Size (L x W x H) (mm MAX)
X-1569	1:1	1500	45.1	3.3	0.700	1.6	1.6	9.0 x 8.6 x 7.6

- NOTES: 1. The maximum volt-sec rating limits the flux density to 2200 Gauss when used in a unipolar drive application. For bi-polar drive applications a maximum volt-sec of two time this rating is acceptable. (2\*(volt\*μsec ratio))  
 2. Leakage Inductance is measured at the primary terminals with all secondaries shorted.  
 3. Add suffix "T" to part number for Tape & Reel package.  
 4. To order a RoHS compliant part, add the suffix "NL" to the part number, i.e. X-1569 becomes X-1569NL.

## Electrical Schematic

## Schematic

X-1569



## For More Information

**Pulse Worldwide Headquarters**  
Two Pearl Buck Court  
Bristol, PA 19007  
U.S.A.

**Pulse Europe**  
Zeppelinstrasse 15  
71083 Herrenberg  
Germany

**Pulse China Headquarters**  
B402, Shenzhen Academy of  
Aerospace Technology Bldg.  
10th Kejianan Road  
High-Tech Zone  
Nanshan District  
Shenzhen, PR China 518057  
Tel: 86 755 33966678  
Fax: 86 755 33966700

**Pulse North China**  
Room 2704/2705  
Super Ocean Finance Ctr.  
2067 Yan An Road West  
Shanghai 200336  
China  
Tel: 86 21 62787060  
Fax: 86 2162786973

**Pulse South Asia**  
135 Joo Seng Road  
#03-02  
PM Industrial Bldg.  
Singapore 368363

**Pulse North Asia**  
3F No. 198, Zhongyuan Road  
Zhongli City  
Taoyuan County (32068)  
Taiwan  
Tel: 886 3 4356768  
Fax: 886 3 4356823

Tel: 215 781 6400  
Fax: 215 781 6403

Tel: 49 7032 7806 0  
Fax: 49 7032 7806 12

Tel: 65 6287 8998  
Fax: 65 6287 8998

Performance warranty of products offered on this data sheet is limited to the parameters specified. Data is subject to change without notice. Other brand and product names mentioned herein may be trademarks or registered trademarks of their respective owners. © Copyright, 2013. Pulse Electronics, Inc. All rights reserved.

## X-ON Electronics

Largest Supplier of Electrical and Electronic Components

*Click to view similar products for [Audio Transformers](#) / [Signal Transformers](#) category:*

*Click to view products by [iNRCORE](#) manufacturer:*

Other Similar products are found below :

[CX2041NLT](#) [MGPWT-00449-P](#) [PE-64961](#) [H1302FNLT](#) [H5008FNL](#) [H5012FNL](#) [H5020FNLT](#) [H5077NLT](#) [H5079NLT](#) [H5084FNLT](#)  
[B78476A9558A003](#) [1812WBT2-4](#) [1879479-1](#) [HX2260FNL](#) [HX5014FNL](#) [EX2024FNL](#) [FL1066](#) [T1137NLT](#) [T3012NL](#) [PE-65812FNL](#) [PE-65848FNLT](#) [H1174FNL](#) [H1302FNL](#) [H5015FNL](#) [H5019EFNL](#) [H5062FNLT](#) [CX2047LNL](#) [MGPWT-00059-P](#) [MGPWT-00266-P](#) [MGPWT-00278-P](#) [MGPWT-00431-P](#) [TTC-100](#) [TTC-143-H](#) [TTC-5032-1](#) [BX1194WNLT](#) [HX1234NLT](#) [HX5008FNLT](#) [HX5019FNL](#) [HX5084NL](#) [3-1879385-5](#) [TX1263NLT](#) [4-1879391-0](#) [T1142NL](#) [HX6101FNL](#) [HX5084FNL](#) [HX1148NL](#) [HX5020FNLT](#) [HX5014FNLT](#) [T1124NL](#)  
[1879732-1](#)