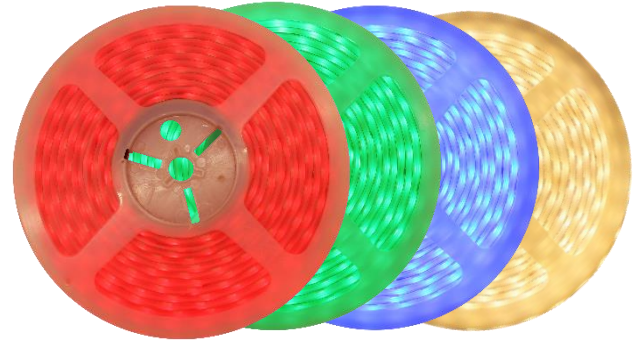


inspired LED 24V RGBW Outdoor Flex Strips

Color Changing LEDs

The Spectrum Series 24 Volt RGBW Outdoor System from Inspired LED is a creative, customizable way to add a splash of color to your world! Available in custom lengths or 5 meter reels, these silicone-sleeved strips provide a range of up to 65 million color combinations. Energy efficient, long lasting, and dimmable with compatible systems, Inspired LED flex strips are the perfect option for any lighting application.



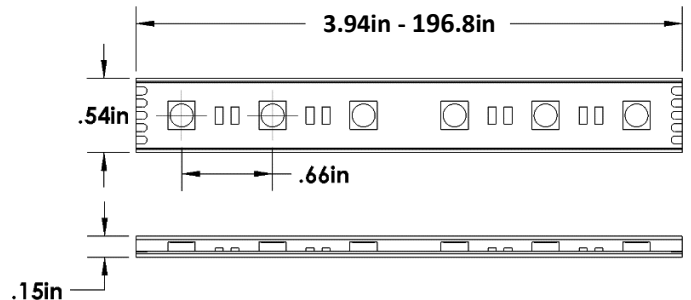
RGB + Warm White

Specifications:	Voltage	Current	Wattage	Luminosity	Efficacy	Color Temp	CRI		
Full-Spectrum White (Single Zone remote only)	24V	0.250 A	6.03 W/ft.	235 lm/ft.	40 lm/W	5700 K	60		
Warm White (4- Zone or Single remote)	24V	0.070 A	1.69 W/ft.	120 lm/ft.	70 lm/W	2900 K	83		
	Voltage	Current	Wattage	Radiant Power			Wavelengths		
RGB Colored Setting	24V	0.060 A	1.45 W/ft.	0.135 W/ft.	0.150 W/ft.	0.240 W/ft.	630nm	515nm	465nm

Product Features:

- Water-resistant silicone sleeving
- 65 million color possibilities, including true white
- Size 5050 diodes, 0.66" spacing between each LED
- 72 LEDs/meter (18 LEDs/foot) with cut points available every 3.94" (every 6 LEDs)
- Flex available in custom cut lengths with pre-soldered leads, or 5m reels (16.4 feet)
- Minimal heat production, no IR or UV output
- Dimmable with compatible systems
- Rated to last up to 50,000 hours
- CE certified, RoHs Compliant
- **To be installed in accordance with NEC, using 24V plug-in or constant voltage power supplies.**

Product Dimensions:

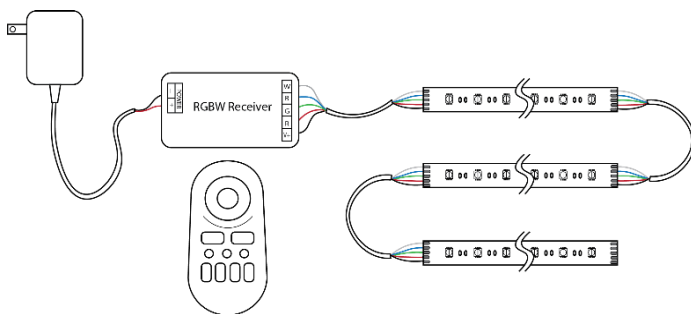


Installation Instructions:

NOTE: Individual strips over 16.4 ft. (5m) should be powered from the center to prevent voltage drop, single strips should not exceed 32ft

1. Clean desired mounting surface(s) and test all products prior to installation.
2. Temporarily mount RGBW flex strips in desired location using scotch or painters tape.
3. Interconnect RGBW strips with compatible five-conductor cable, ensuring all polarities are matched.
4. Run cable from LED system to compatible control device (see diagram for more detail).
5. Connect 24V power source to controller, and test lighting system. When satisfied, use silicone adhesive to permanently mount components in place.

Basic Wiring Diagram:



X-ON Electronics

Largest Supplier of Electrical and Electronic Components

Click to view similar products for [LED Lighting Bars and Strips category](#):

Click to view products by [Inspired LED manufacturer](#):

Other Similar products are found below :

[ZLF0310W62524](#) [LF1D-F2F-2W-300](#) [HH-SWW528F210W12-COB IP65](#) [HH-SG528F010W24-COB IP20](#) [LF2D-EN2F-2W-A](#) [10001622](#)
[LFBHL-SW827-24V-8S63-20](#) [LFBHL-SW860-24V-8S63-20](#) [LFBHL-SW940-24V-8S63-20](#) [HH-SRGB60F010W24-5050M](#) [N006120BB1LZ](#)
[\(GREEN\)](#) [N006120BB1LZ \(ICE BLUE\)](#) [N006120BB1LZ \(RED\)](#) [N006120BC1LZ \(BLUE\)](#) [N006120BC1LZ \(GREEN\)](#) [N006120BC1LZ](#)
[\(RED\)](#) [RF-G27HI3510-241202081-A0 IP20](#) [S010030CB3SB7](#) [S010030CB3SB7 \(BLACK PCB\)](#) [S010060CB1LZ \(NEUTRAL WHITE IP65\)](#)
[S010060CB1LZ \(WARM WHITE IP65\)](#) [S010060CB3SB7](#) [S010060CC1LZ \(WARM WHITE IP65\)](#) [S012060CB4ST \(BLACK PCB\)](#) [L202-](#)
[3080033C30001](#) [00219015](#) [10001611](#) [10001612](#) [10001617](#) [10001619](#) [10001623](#) [10001655](#) [10001657](#) [10001661](#) [10001664](#) [10001670](#)
[10001674](#) [10001675](#) [10001681](#) [10001683](#) [10001690](#) [PUUA-100LLL-NK2P](#) [QAUR1161L030](#) [HC-F12V-3535 PCBA](#) [HC-F12V-F50-3L-](#)
[WS2811](#) [HC-F12V-WS2811-3535](#) [HC-F5V-144L-144LED-B-WS2813 IP65](#) [HC-F5V-144L-144LED-W/IP65](#) [HC-F5V-144L-144LED-W-](#)
[WS2813 IP20](#) [HC-F5V-30L-30LED-B-WS2813 IP20](#)