

5013 RGB Amplifier



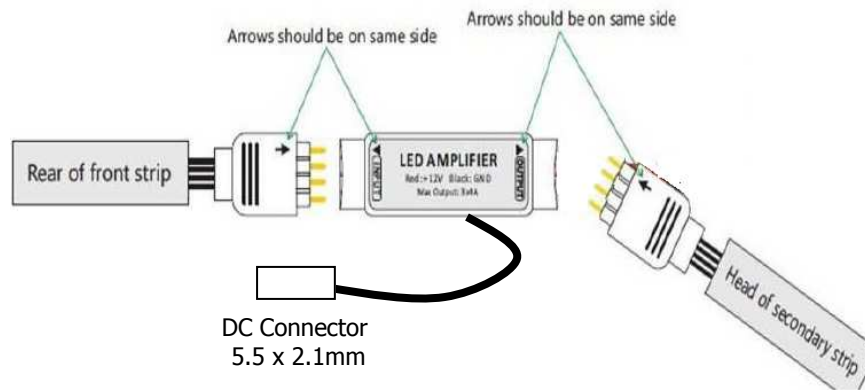
Summarization:

Strip amplifier, it makes long LED strip implementation much more conveniently. The slim design makes it easy to install together with strip or cables even in a very narrow space. Its output power is up to 144W and built with wrong wiring protection. R103 is your best choice in LED strip amplifiers.

Main feature

- Smallest LED amplifier
- Simple installation
- Specified strip connector
- High Efficiency, low heat
- Wide working voltage
- Up to 144W power
- Own embed control IC chip
- Wrong wiring protection
- Infinite cascading ability

Typical Application:



Technical Parameters:

- Output Power: 144W
- Working Voltage: DC8-16V,
- Max output current : 3*4A
- Working Temperature Range: -30°C~ 75°
- Connector type: Specified Strip Connector
- Dimension: 42*13*3mm
- Net Weight: 5.2g

X-ON Electronics

Largest Supplier of Electrical and Electronic Components

Click to view similar products for [LED Lighting Fixture Accessories](#) category:

Click to view products by [Inspired LED](#) manufacturer:

Other Similar products are found below :

[XVBC081](#) [1-2315539-1](#) [2306129-1](#) [180997-0001](#) [1-2213996-1](#) [4821](#) [2702312](#) [4775](#) [5012](#) [5014](#) [1301130007](#) [1301120097](#) [1301120099](#)
[1301120101](#) [1301120114](#) [1301120153](#) [1301120154](#) [1301120157](#) [1301120174](#) [1301120110](#) [1301120137](#) [1301120130](#) [1301860719](#)
[1301120131](#) [1301120144](#) [1301120196](#) [1301850471](#) [2702313](#) [2702315](#) [2702316](#) [2702493](#) [PLD E 400-ME SM](#) [XVBC030](#) [XVBC14](#)
[XVBC21](#) [2213730-1](#) [VFTBCSN1002FT](#) [VFTBCSP0102FT](#) [VFTJCSN0402FT](#) [VFTPCSN1010FT](#) [VFTPCSP0110FT](#) [XVBC00](#) [XVBC020](#)
[1-2311664-1](#) [2702492](#) [2213871-2](#) [2306132-1](#) [2213805-1](#) [1-2306133-1](#) [2702527](#)