



Intel[®] Server System R2000WT Product Family

Technical Product Specification



Revision 1.04

November 2016

Intel[®] Server Boards and Systems

Revision History

Date	Revision Number	Modifications
September 2014	1.0	First external public release
December 2014	1.01	<ul style="list-style-type: none"> • Added Section 2.11 - System Packaging content • Added Section 6.2- System Fan RVI and Hard Drive Storage Performance • Updated Section 6.6.5 - 8 x 2.5" Drive Combo SAS / PCIe* SFF (NVMe) SSD Backplane Accessory Kit • Updated Section 6.7 - 2 x 2.5" Hot Swap Drive Bay Accessory Kit • Updated Section 6.8 - Internal – Fixed Mount Solid State Drive (SSD) Support • Updated Section 10 - PCIe* Riser Card Support • Updated Section 10.1 - Correction made to Intel part numbers referenced for supported riser cards •
December 2014	1.02	<ul style="list-style-type: none"> • Added Appendix F – Statement of Volatility
May 2015	1.03	<ul style="list-style-type: none"> • Update document Legal Disclaimer statements • Chapter 2 – added OS Support list and defined OS validation test levels and technical support levels • Chapter 2.11.1 – Updated product weight information • Chapter 5 – Updated Disclaimer Statement for 3rd party GPGPU support • Chapter 6.6.5 – Updated PCIe* SFF SSD (NVMe) combo backplane kit support details • Chapter 7.4 Intel SAS Expander support - updated •
November	1.04	<ul style="list-style-type: none"> • Updated to include Refresh of the new processor Broadwell. • Updated Rail kits • Added A2U44X25NVMEDK2 • Added AXX4PX8HDAIC • Table 2 – Operating System Support List was updated • Added note of 240VA UL regulation • Fixed typos • Added SOV for power supplies 1100W

Disclaimers

Intel technologies' features and benefits depend on system configuration and may require enabled hardware, software or service activation. Learn more at Intel.com, or from the OEM or retailer.

You may not use or facilitate the use of this document in connection with any infringement or other legal analysis concerning Intel products described herein. You agree to grant Intel a non-exclusive, royalty-free license to any patent claim thereafter drafted which includes subject matter disclosed herein.

No license (express or implied, by estoppel or otherwise) to any intellectual property rights is granted by this document.

The products described may contain design defects or errors known as errata which may cause the product to deviate from published specifications. Current characterized errata are available on request.

Intel disclaims all express and implied warranties, including without limitation, the implied warranties of merchantability, fitness for a particular purpose, and non-infringement, as well as any warranty arising from course of performance, course of dealing, or usage in trade.

Intel, the Intel logo, Xeon, and Xeon Phi are trademarks of Intel Corporation in the U.S. and/or other countries.

*Other names and brands may be claimed as the property of others.

Copyright © 2016 Intel Corporation. All Rights Reserved.

Table of Contents

1. Introduction	1
1.1 Chapter Outline.....	1
1.2 Server Board Use Disclaimer	2
1.3 Product Errata.....	2
2. Product Family Overview	3
2.1 Operating System Support	6
OS Validation Levels.....	7
OS Technical Support Levels.....	7
2.2 System Features Overview.....	9
2.3 Server Board Features Overview	11
2.4 Back Panel Features.....	14
2.5 Front Control Panel Options	14
2.6 Front Drive Bay Options	15
2.7 Locking Front Bezel.....	16
2.8 System Dimensional Data.....	18
Chassis Dimensions	18
Label Emboss Dimensions.....	19
Pull-out Tab Label Emboss Dimensions	20
2.9 System Cable Routing Channels.....	21
2.10 Available Rack and Cabinet Mounting Kit Options	22
2.11 System Level Environmental Limits	23
2.12 System Packaging.....	24
Intel Product Weight Information.....	24
3. System Power	26
3.1 Power Supply Configurations	26
3.2 Power Supply Module Options	27
Power Supply Module Efficiency.....	27
Power Supply Module Mechanical Overview.....	28
Power Cord Specification Requirements	30
3.3 AC Power Supply Input Specifications.....	31
Power Factor	31
AC Input Voltage Specification	31
AC Line Isolation Requirements	31
AC Line Dropout / Holdup.....	32
AC Line Fuse.....	32
AC Inrush	32
AC Line Transient Specification.....	32
Susceptibility Requirements	33
Electrostatic Discharge Susceptibility.....	33

Fast Transient/Burst	33
Radiated Immunity	33
Surge Immunity	33
Power Recovery	34
Voltage Interruptions	34
Protection Circuits	34
Power Supply Status LED	35
3.4 DC Power Supply Input Specifications	36
DC Input Voltage	36
DC Input Fuse	36
DC Inrush Current	36
DC Input Under Voltage	36
DC Holdup Time and Dropout	36
DC Line Surge Voltages (Line Transients)	37
Susceptibility Requirements	37
Protection Circuits	38
3.5 Cold Redundancy Support	39
Powering on Cold Standby supplies to maintain best efficiency	39
Powering on Cold Standby supplies during a fault or over current condition	40
BMC Requirements	40
Power Supply Turn On Function	40
3.6 Closed Loop System Throttling (CLST)	40
3.7 Smart Ride Through (SmaRT)	40
3.8 Server Board Power Connectors	41
Power Supply Module Card Edge Connector	41
Optional 12V Power Connectors for High Power Add-in Cards	41
Hot Swap Backplane Power Connector	42
Peripheral Power Connector	42
4. Thermal Management	43
4.1 Thermal Operation and Configuration Requirements	45
4.2 Thermal Management Overview	46
Fan Speed Control	47
4.3 System Fans	52
4.4 Power Supply Module Fans	53
4.5 FRUSDR Utility	53
5. Intel® Xeon Phi™ Coprocessor and Non-Intel GPGPU Add-in Card Support	54
5.1 Support Criteria	54
5.2 Intel® Xeon Phi™ Coprocessor Card – System Configuration Requirements	57
6. System Storage and Peripheral Drive Bay Overview	58
6.1 Front Mount – Drive Bay Support	58

6.2	System Fan RVI and Hard Drive Storage Performance	60
6.3	Hot Swap Storage Device Carriers	60
6.4	Peripheral Power Sources	63
6.5	Optical Drive Support.....	64
6.6	Storage Backplane Options	65
	SGPIO Functionality.....	66
	I2C Functionality	66
	8 x 2.5" Drive Single Port SAS Backplane.....	67
	8 x 2.5" Drive Dual Port SAS Backplane	69
	8 x 2.5" Drive Combo SAS / PCIe* SFF (NVMe) SSD Backplane Accessory Kit.....	71
	8 x 2.5" Drive Combo SAS / PCIe* SFF (NVMe) A2U44X25NVMEDK2 Backplane Accessory Kit	79
	Cable connections identified in the following cable routing diagrams can be applied to any combo backplane assembly installed. However, cable routing may differ depending on which riser card the x8 PCIe* Retimer card is installed.	80
	3.5" Drive Hot-Swap Backplane Overview	82
6.7	2 x 2.5" Hot Swap Drive Bay Accessory Kit.....	84
6.8	Internal – Fixed Mount Solid State Drive (SSD) Support	87
6.9	Low Profile eUSB SSD Support	88
6.10	SATA DOM Support	88
7.	Storage Controller Options Overview	90
7.1	Embedded SATA / SATA RAID support.....	90
	Staggered Disk Spin-Up.....	92
7.2	Embedded SATA SW-RAID support.....	92
	Intel® Rapid Storage Technology (RSTe) 4.1	93
	Intel® Embedded Server RAID Technology 2 (ESRT2) 1.41	94
7.3	Intel® Integrated RAID Module Support	95
	Intel® RAID Maintenance Free Backup Unit (AXXRMFBUX) Support.....	95
7.4	Intel® RAID Expander Card Support.....	97
8.	Front Control Panel and I/O Panel Overview.....	101
8.1	I/O Panel Features	101
8.2	Control Panel Features	102
9.	Intel® Local Control Panel	107
10.	PCIe* Riser Card Support.....	108
	Riser Card Assembly.....	109
10.1	Riser Slot #1 and Riser Slot #2 Riser Card Options	111
	3-Slot PCIe Riser Card – Intel Product Code: A2UL8RISER2	111
	2-Slot PCIe Riser Card – Intel Product Code: A2UL16RISER2	111
10.2	Riser Slot #3 Riser Card Option.....	112
11.	Intel® I/O Module Support.....	113
12.	Basic and Advanced Server Management Features.....	114
	Dedicated Management Port.....	115
	Embedded Web Server	115

Advanced Management Feature Support (RMM4 Lite).....	117
Appendix A – Integration and Usage Tips	121
Appendix B – POST Code Diagnostic LED Decoder.....	122
Appendix C – POST Code Errors.....	127
Appendix D – System Configuration Table for Thermal Compatibility.....	134
Appendix E – System Cable Routing Diagrams	148
Appendix F – Statement of Volatility	152
Glossary	156
Reference Documents.....	159

List of Figures

Figure 1. System Components Overview	9
Figure 2. 2U Top Cover Features	9
Figure 3. 2U Top Cover Features – (System with 12 x 3.5" Drive Bay)	10
Figure 4. Server Board Features.....	11
Figure 5. Light Guided Diagnostic LEDs.....	12
Figure 6. DIMM Fault LEDs.....	13
Figure 7. System Configuration and Recovery Jumpers.....	13
Figure 8. Back Panel Feature Identification.....	14
Figure 9. Front Control Panel Options	14
Figure 10. (Model R2308WT...) 3.5" x 8 Front Drive Bay Configuration	15
Figure 11. (Storage Model R2312WT...) 3.5" x 12 Front Drive Bay Configuration	15
Figure 12. (Model R2208WT...) 2.5" x 8 Front Drive Bay Configuration	15
Figure 13. (Model R2216WT...) 2.5" x 16 Front Drive Bay Configuration.....	15
Figure 14. (Storage Model R2224WT...) 2.5" x 24 Front Drive Bay Configuration	15
Figure 15. Front Bezel	16
Figure 16. Front Bezel accessory with optionally installed wave feature.....	16
Figure 17. Front Bezel accessory with optionally installed wave and ID badge (1)	17
Figure 18. Front Bezel accessory with optionally installed wave and ID badge (2)	17
Figure 19. Front Bezel accessory ID Badge mechanical drawings.....	17
Figure 20. Chassis Dimensions	18
Figure 21. Label Emboss Dimensions.....	20
Figure 22. Pull-out Tab Label Emboss Dimensions – Non-Storage Models	20
Figure 23. Pull-out Tab Label Area Dimensions – Storage Models.....	20
Figure 24. System Cable Routing Channels	21
Figure 25. Power Supply Module Identification	26
Figure 26. 750W AC & DC Power Supply Module Mechanical Drawing.....	29
Figure 27. 1100W AC Power Supply Module Mechanical Drawing	30
Figure 28. AC Power Cord Specification.....	30
Figure 29. DC Power Cord Specification.....	30
Figure 30. System Air Flow and Fan Identification.....	43
Figure 31. Fan Control Model	51
Figure 32. Server Board 2U System Fan Connector Locations.....	52
Figure 33. System Fan Assembly.....	53
Figure 34. 2-Slot PCIe Riser Card	54
Figure 35. Auxiliary 12V Power Cable (iPC AXXGPGPUCABLE)	55
Figure 36. Air Duct included in Intel® Accessory Kit AWTCOPRODUCT	55
Figure 37. Shipping Bracket.....	56
Figure 38. Shipping Bracket Placement.....	57
Figure 39. 2.5" Front Mount Drive Bay - 8 Drive (R2208Wt..) & 16 Drive (R2216WT..) Configuration	58

Figure 40. Storage SKU – 2.5" Front Mount Drive Bay - 24 Drive (R2224WT...) Configuration..	58
Figure 41. 3.5" Drive Bay - 8 Drive Configuration	59
Figure 42. Storage SKU – 3.5" Drive Bay - 12 Drive Configuration.....	59
Figure 43. Drive Tray LED Identification	61
Figure 44. Server Board Peripheral Power Connectors	63
Figure 45. Optical Drive Support.....	64
Figure 46. Optical Drive Installation.....	64
Figure 47. 3.5" Backplane Placement	65
Figure 48. 2.5" Drive Bay Module Placement	66
Figure 49. 8 x 2.5" SAS / SATA Hot Swap Backplane	68
Figure 50. 8 x 2.5" Dual Port SAS Backplane	70
Figure 51. Combo Backplane Module Placement – 8 x 2.5" front drive configurations.....	71
Figure 52. Combo Backplane Module Placement - 16 x 2.5" and 24 x 2.5" front drive configurations	72
Figure 53. Combo Backplane Kit Device Carrier Identification	72
Figure 54. Combo Backplane Cable Routing – PCIe* SFF (NVMe) + SAS.....	73
Figure 55. Combo Backplane Cable Routing – PCIe* SFF (NVMe) + SATA.....	74
Figure 56. 8 x 2.5" Combo SAS / PCIe* SFF Backplane Connector Definition	76
Figure 57. "HSBP_I2C" connector on the server board.....	76
Figure 58. I ² C connector Identification - Combo Backplane as the 2 nd Backplane Option.....	77
Figure 59. 12 x 3.5" HSBP Connector Identification	82
Figure 60. 8 x 3.5" HSBP Connector Identification.....	83
Figure 61. 2 x 2.5" Rear Mount Backplane Kit Placement	84
Figure 62. 2 x 2.5" Hot Swap Backplane	85
Figure 63. 2.5" Solid State Drive (SSD) Mounting Option.....	87
Figure 64. Low Profile eUSB SSD Support	88
Figure 65. Onboard SATA Features.....	90
Figure 66. SATA RAID 5 Upgrade Key.....	94
Figure 67. Intel® Integrated RAID Module.....	95
Figure 68. Triple RMFBU (Default) Mounting Bracket Installation.....	96
Figure 69. Dual RMFBU Mounting Bracket Installation	96
Figure 70. Intel® RAID Expander RES3FV288 Connector Identification.....	99
Figure 71. Intel® RAID Expander RES2SV240 Connector Identification	99
Figure 72. – 12Gb Internal 36-Port Intel® RAID Expander Card RES3TV360 - Connector Identification Block Diagram.....	100
Figure 73. – 6 Gb Internal 36-Port Intel® RAID Expander Card RES2CV360 - Connector Identification Block Diagram.....	100
Figure 74. Front I/O Panel Features	101
Figure 75. Front Control Panel Features	102
Figure 76. Intel Local Control Panel Option.....	107
Figure 77. Riser Card #1 Bracket	109
Figure 78. Left and Right Views of Riser Card #2 & #3 Bracket	109

Figure 79. Full Height / Full Length Add-in Card Support.....	110
Figure 80. Intel® I/O Module Placement.....	113
Figure 81. Intel® RMM4 Lite Activation Key Installation.....	115
Figure 82. POST Diagnostic LED Location.....	122

List of Tables

Table 1. Intel® Server System R2000WT Product Family Feature Set	3
Table 2. Operating System Support List	6
Table 3. Operating System Validation Levels	7
Table 4. System Environmental Limits Summary.....	23
Table 5. 750 Watt AC Power Supply Efficiency (Platinum).....	27
Table 6. 1100 Watt AC Power Supply Efficiency (Platinum).....	27
Table 7. 750 Watt DC Power Supply Efficiency (Gold).....	27
Table 8. AC Power Cord Specifications.....	30
Table 9. DC Power Cable Connector Pin-out	30
Table 10. AC Input Voltage Range – 750W Power Supply	31
Table 11. AC Input Voltage Range – 1100W Power Supply.....	31
Table 12. AC Line Holdup Time - 750W Power Supply	32
Table 13. AC Line Holdup Time - 1100W Power Supply	32
Table 14. AC Line Sag Transient Performance.....	33
Table 15. AC Line Surge Transient Performance.....	33
Table 16. Performance Criteria	33
Table 17. Over Current Protection - 750 Watt Power Supply	34
Table 18. Over Current Protection - 1100W Power Supply	34
Table 19. Over Voltage Protection (OVP) Limits – 750W Power Supply.....	35
Table 20. Over Voltage Protection (OVP) Limits – 1100W Power Supply	35
Table 21. LED Indicators	35
Table 22. DC Input Rating.....	36
Table 23. Line Voltage Transient Limits	37
Table 24. Over Current Protection.....	38
Table 25. Over Voltage Protection Limits	38
Table 26. Example Load Share Threshold for Activating Supplies.....	39
Table 27. Power Supply Module Output Power Connector Pin-out	41
Table 28. Riser Slot Power Pin-out ("OPT_12V_PWR_#").....	42
Table 29. Hot Swap Backplane Power Connector Pin-out ("HSBP PWR")	42
Table 30. Peripheral Drive Power Connector Pin-out ("Peripheral PWR").....	42
Table 31. System Volumetric Air Flow - Intel® Server System R2308WT.....	43
Table 32. System Volumetric Air Flow – Intel® Server System R2208WT....	44
Table 33. System Volumetric Air Flow – Intel® Server System R2216WT....	44
Table 34. System Volumetric Air Flow – Intel® Server System R2312WT... & R2224WT.....	44
Table 35. System Fan Connector Pin-out.....	52
Table 36. Drive Status LED States.....	62
Table 37. Drive Activity LED States.....	62
Table 38. Combo Backplane Rear Connector Identification.....	76

Table 39. Intel® Accessory Kit A2U44X25NVMEDK Operating System Support List.....	78
Table 40. SATA and sSATA Controller Feature Support.....	91
Table 41. SATA and sSATA Controller BIOS Utility Setup Options.....	91
Table 42. Intel® SAS RAID Expander Support.....	98
Table 43. System Status LED State Definitions.....	103
Table 44. Power/Sleep LED Functional States.....	106
Table 45. Supported Intel® I/O Modules.....	113
Table 46. Intel® Remote Management Module 4 (RMM4) Options.....	114
Table 47. POST Progress Code LED Example.....	122
Table 48. MRC Progress Codes.....	123
Table 49. MRC Fatal Error Codes.....	124
Table 50. Diagnostic LED POST Code Decoder.....	125
Table 51. POST Error Messages and Handling.....	128
Table 52. POST Error Beep Codes.....	132
Table 53. Integrated BMC Beep Codes.....	133

1. Introduction

This Technical Product Specification (TPS) provides system level information for the Intel® Server System R2000WT product family.

This document describes the embedded functionality and available features of the integrated server system which includes: the chassis layout, system boards, power sub-system, cooling sub-system, storage sub-system options, and available installable options. Note that some system features are provided as configurable options and may not be included standard in every system configuration offered. Please reference *the Intel® Server System S2600WT Product Family Configuration Guide* for a list of available options.

Server board specific detail can be obtained by referencing the *Intel® Server Board S2600WT Technical Product Specification*.

In addition, design-level information related to specific server board components / subsystems can be obtained by ordering External Product Specifications (EPS) or External Design Specifications (EDS) related to this server generation. EPS and EDS documents are made available under NDA with Intel and must be ordered through your local Intel representative. See the Reference Documents section at the end of this document for a list of available documents.

1.1 Chapter Outline

This document is divided into the following chapters:

- Chapter 1 – Introduction
- Chapter 2 – Product Family Overview
- Chapter 3 – System Power
- Chapter 4 – Thermal Management
- Chapter 5 – Intel® Xeon Phi™ Coprocessor card and GPGPU add-in card support
- Chapter 6 – System Storage and Peripherals Drive Bay Overview
- Chapter 7 – Storage Controller Options Overview
- Chapter 8 – Front Control Panel and I/O Panel Overview
- Chapter 9 – Intel® Local Control Panel
- Chapter 10 – PCIe* Riser Card Support
- Chapter 11 – Intel® I/O Module Support
- Chapter 12 – Basic and Advanced Server Management Features
- Appendix A – Integration and Usage Tips
- Appendix B – POST Code Diagnostic LED Decoder
- Appendix C – Post Code Errors
- Appendix D – System Configuration Tables for Thermal Compatibility
- Appendix E – System Cable Routing Diagrams
- Glossary
- Reference Documents

1.2 Server Board Use Disclaimer

Intel Corporation server boards support add-in peripherals and contain a number of high-density VLSI and power delivery components that need adequate airflow to cool. Intel® ensures through its own chassis development and testing that when Intel® server building blocks are used together, the fully integrated system will meet the intended thermal requirements of these components. It is the responsibility of the system integrator who chooses not to use Intel®-developed server building blocks to consult vendor datasheets and operating parameters to determine the amount of airflow required for their specific application and environmental conditions. Intel Corporation cannot be held responsible if components fail or the server board does not operate correctly when used outside any of their published operating or non-operating limits.

1.3 Product Errata

Product that is currently shipping may have features or functionality that may deviate from published specifications. These deviations are generally discovered after the product has gone into formal production. Intel terms these deviations as product Errata. Known product Errata will be published in the *Monthly Specification Update* for the given product family which can be downloaded from the following Intel web site:

<http://www.intel.com/support>

2. Product Family Overview

This generation of Intel 2U server platforms offers a variety of system options to meet the varied configuration requirements of high-density high-performance computing environments. The Intel® Server System R2000WT product family includes several available 2U rack mount server systems. Each building block option or L6 integrated system within this product family is configured around the following Intel server board: Intel® Server Board S2600WT.

This chapter provides a high-level overview of the system features and available options as supported in different system models within this product family. Greater detail for each major sub-system, feature, or option is provided in the following chapters.

Table 1. Intel® Server System R2000WT Product Family Feature Set

Feature	Description
Chassis Type	2U Rack Mount Chassis
Server Board Options	<ul style="list-style-type: none"> • Intel® Server Board S2600WT w/Dual 1GbE ports – (Intel product code - S2600WT2R) • Intel® Server Board S2600WT w/Dual 10GbE ports – (Intel product code - S2600WTTR)
Processor Support	<ul style="list-style-type: none"> • Two LGA2011-3 (Socket R3) processor sockets • Support for one or two Intel® Xeon® processors E5-2600 v3 and v4 product family • Maximum supported Thermal Design Power (TDP) of up to 145 W.
Memory	<ul style="list-style-type: none"> • 24 DIMM slots – 3 DIMMs/Channel – 4 memory channels per processor • Registered DDR4 (RDIMM), Load Reduced DDR4 (LRDIMM) • Memory data transfer rates: <ul style="list-style-type: none"> ○ DDR4 RDIMM: 1600 MT/s (3DPC), 1866 MT/s (2DPC), 2133 MT/s (2DPC) and 2400 MT/s (1DPC) ○ DDR4 LRDIMM: 1866 Mt/s (3DPC), 2400 MT/s (2DPC) ○ DDR4 LRDIMM3DS: 1866 Mt/s (3DPC), 2400 MT/s (2DPC) ○ NVDIMM: 2133 Mt/s (1DPC) • DDR4 standard I/O voltage of 1.2V
Chipset	Intel® C612 chipset
External I/O connections	<ul style="list-style-type: none"> • DB-15 Video connectors <ul style="list-style-type: none"> ○ Front and Back on non-storage systems ○ Back only on storage systems (12 x 3.5" and 24 x 2.5" front mount drive support) • RJ-45 Serial Port A connector • Dual RJ-45 Network Interface connectors supporting either : <ul style="list-style-type: none"> ○ 10 GbE RJ-45 connectors (Intel Server Board Product Code – S2600WTTR) or ○ 1 GbE RJ-45 connectors (Intel Server Board Product Code – S2600WT2R) • Dedicated RJ-45 server management port • Three USB 2.0 / 3.0 connectors on back panel • Two USB 2.0 / 3.0 ports on front panel (non-storage models only) • One USB 2.0 port on rack handle (storage models only)

Feature	Description
Internal I/O connectors / headers	<ul style="list-style-type: none"> • One Type-A USB 2.0 connector • One 2x5 pin connector providing front panel support for two USB 2.0 ports • One 2x10 pin connector providing front panel support for two USB 2.0 / 3.0 ports • One 2x15 pin SSI-EEB compliant front panel header • One 2x7pin Front Panel Video connector • One 1x7pin header for optional Intel® Local Control Panel (LCP) support • One DH-10 Serial Port B connector
Intel® I/O Module Accessory Options	<p>The server board includes a proprietary on-board connector allowing for the installation of a variety of available I/O modules. An installed I/O module can be supported in addition to standard on-board features and add-in PCIe cards.</p> <ul style="list-style-type: none"> • AXX4P1GBPWL1OM – Quad port RJ45 1 GbE based on Intel® Ethernet Controller I350 • AXX10GBTWL1OM3 – Dual port RJ-45 10GbBase-T based on Intel® Ethernet Controller x540 • AXX10GBNIA1OM – Dual port SFP+ 10 GbE module based on Intel® 82599 10 GbE controller • AXX1FDRIB1OM – Single port QSFP FDR 56 GT/S speed InfiniBand* module • AXX2FDRIB1OM – Dual port QSFP FDR 56 GT/S speed infiniband* module • AXX1P40FRT1OM – Single port QSFP+ 40 GbE module • AXX2P40FRT1OM – Dual port QSFP+ 40 GbE module
System Fans	<ul style="list-style-type: none"> • Six managed hot swap system fans • One power supply fan for each installed power supply module
Riser Card Support	<p>Concurrent support for up to three riser cards.</p> <ul style="list-style-type: none"> • Riser #1 – PCIe* Gen3 x24 – up to 3 PCIe slots • Riser #2 – PCIe* Gen3 x24 – up to 3 PCIe slots • Riser #3 – PCIe* Gen3 x8 + DMI x4 (operating in PCIe mode) – up to 2 PCIe slots (Optional) <p>With three riser cards installed, up to 8 possible add-in cards can be supported:</p> <ul style="list-style-type: none"> • 4 Full Height / Full Length + 2 Full Height / Half Length add-in cards via Risers #1 and #2 • 2 low profile add-in cards via Riser #3 (option) <p>See Chapter 10 for available riser card options</p>
Video	<ul style="list-style-type: none"> • Integrated 2D Video Controller • 16 MB DDR3 Memory
On-board storage controllers and options	<ul style="list-style-type: none"> • 10 x SATA 6Gbps ports (6Gb/s, 3 Gb/s and 1.5Gb/s transfer rates are supported) <ul style="list-style-type: none"> ◦ Two single port SATA connectors capable of supporting up to 6 Gb/sec ◦ Two 4-port mini-SAS HD (SFF-8643) connectors capable of supporting up to 6 Gb/sec SATA • One eUSB 2x5 pin connector to support 2mm low-profile eUSB solid state devices • Optional SAS IOC/ROC support via on-board Intel® Integrated RAID module connector • Embedded Software SATA RAID <ul style="list-style-type: none"> ◦ Intel® Rapid Storage RAID Technology (RSTe) 4.1 ◦ Intel® Embedded Server RAID Technology 2 (ESRT2) 1.41 with optional RAID 5 key support
Security	<ul style="list-style-type: none"> • Intel® Trusted Platform Module (TPM) - AXXTPE5 (1.2), AXXTPE6 (v2.0) and AXXTPE7 (v2.0) (Accessory Option)
Server Management	<ul style="list-style-type: none"> • Integrated Baseboard Management Controller, IPMI 2.0 compliant • Support for Intel® Server Management Software • On-board RJ45 management port • Advanced Server Management via an Intel® Remote Management Module 4 Lite (Accessory Option)

Feature	Description
Power Supply Options	<p>The server system can have up to two power supply modules installed, providing support for the following power configurations: 1+0, 1+1 Redundant Power, and 2+0 Combined Power</p> <p>Three power supply options:</p> <ul style="list-style-type: none"> • AC 750W Platinum • DC 750W Gold • AC 1100W Platinum
Storage Options	<p>Hot Swap Backplane Options:</p> <p>Note: All available backplane options have support for SAS 3.0 (12 Gb/sec)</p> <ul style="list-style-type: none"> • 8 x 2.5" SAS/SATA • 8 x 2.5" Combo Backplane - SAS/SATA + up to 4 x PCIe* SFF (NVMe) SSD • 8 x 2.5" Dual Port SAS/SATA • 8 x 3.5" SAS/SATA • 12 x 3.5" SAS/SATA <p>SAS 2.0 (6Gb/sec) and SAS 3.0 (12Gb/sec) Expander Options</p> <ul style="list-style-type: none"> • Internal mount for 2.5" drive configurations • PCIe* add-in card for 3.5" drive configurations <p>Storage Bay Options:</p> <ul style="list-style-type: none"> • 8 x 3.5" SAS/SATA Hot Swap Drive Bays + Optical Drive support + front panel I/O • 12 x 3.5" SAS/SATA Hot Swap Drive Bays (Storage model) • 8 x 2.5" SAS/SATA Hot Swap Drive Bays + Optical Drive support + front panel I/O • 16 x 2.5" SAS/SATA Hot Swap Drive Bays + Optical Drive support + front panel I/O • 24 x 2.5" SAS/SATA Hot Swap Drive Bays (Storage model) • 2 x 2.5" SATA SSD Back of Chassis Hot Swap Drive Bays (Accessory Option) • 2 x internal fixed mount 2.5" SSDs (All SKUs)
Supported Rack Mount Kit Accessory Options	<ul style="list-style-type: none"> • AXXPRAIL – Tool-less rack mount rail kit – 800mm max travel length • AXXELVRAIL – Enhanced value rack mount rail kit - 424mm max travel length • AXX1U2UCMA – Cable Management Arm – (*supported with AXXPRAIL only) • AXX2POSTBRCKT – 2-post fixed mount bracket kit (not supported with 12 and 24 drive storage SKUs) • A1USHRTRAIL - Full extension from rack, Travel distance 780mm • AXXFULLRAIL - for Cable Management arm support, Full extension from rack, Travel distance 780mm • AXXCMA2 – Cable management arm, Compatible with AXXFULLRAIL only

2.1 Operating System Support

As of this writing, Intel® Server System R2000WT product family provides support for the following operating systems. This list will be updated as new operating systems are validated by Intel.

Table 2. Operating System Support List

Note: The * mark indicates it requires the drive driver to be recognize the drives during installation.

Operating System	Operating System Validation Level (P)	SATA RSTe SW RAID Support (Y/N)	SATA ESRT2 SW RAID Support (Y/N)
Windows Server 2012* R2 w/Updated Datacenter x64, Legacy boot	P1	Yes	Yes
Windows Server 2012* R2 w/Updated Datacenter x64, uEFI boot	P1	Yes	No
Windows Hyper-V 2012* R2 x64, Legacy boot	P1	No	No
Windows Hyper-V 2012 R2 x64, uEFI boot	P1	No	No
Red Hat Enterprise Linux 7.0* x64, Legacy boot	P1	No	Yes
Red Hat Enterprise Linux 7.0* x64, uEFI boot	P1	No	No
Red Hat Enterprise Linux 6.5* x64, Legacy boot	P1	Yes (with LEDMon ¹)	Yes
Red Hat Enterprise Linux 6.5* x64, uEFI boot	P1	Yes (with LEDMon ¹)	No
Red Hat Enterprise Linux 6.5 * x86, Legacy boot	P1	Yes (with LEDMon ¹)	Yes
Red Hat Enterprise Linux 7.1* x64, Legacy Boot	P1	Yes	Yes
Red Hat Enterprise Linux 7.1* x64, uEFI Boot	P1	Yes	Yes
Red Hat Enterprise Linux 7.2* x64, Legacy Boot	P1	Yes	Yes
Red Hat Enterprise Linux 7.2* x64, uEFI Boot	P1	Yes	Yes
SuSE Linux Enterprise Server 11* SP3 x64, Legacy Boot	P1	No	Yes
SuSE Linux Enterprise Server 11* SP3 x64, uEFI Boot	P1	No	No
SuSE Linux Enterprise Server 11* SP3 x86, Legacy Boot	P1	No	Yes
SuSE Linux Enterprise Server 12* SP1 SP4 x64, Legacy Boot	P1	Yes	Yes
SuSE Linux Enterprise Server 12* SP1 SP4 x64, uEFI Boot	P1	Yes	Yes
Windows Server 2008* R2 sp1 x64, Legacy Boot	P2	Yes	Yes
Windows Server 2008* R2 sp1 x64, uEFI Boot	P2	Yes	No
Windows Server 2008* R2 sp1 x86, Legacy Boot	P2	Yes	Yes
Windows 7* x64, Legacy boot	P2	Yes	Yes
Windows 7* x64, uEFI boot	P2	Yes	No
Windows 10* x64, uEFI Boot	P2	Yes	No
Windows 10* x64, Legacy Boot	P2	Yes	Yes
VMWare ESXi 5.5* U2	P2	No (AHCI mode only. No RAID support)	No
VMWare ESXi 6.0* U2	P2		
Ubuntu 14.04 Server* x64, Legacy Boot	P2	No	No
Ubuntu 14.04 Server* x64, EFI Boot	P2	No	No
Ubuntu 14.04 Server* x86, Legacy Boot	P2	No	No
CentOS 6.5* x64, Legacy Boot	P3	No	No
CentOS 6.5* x64, uEFI Boot	P3	No	No
CentOS 6.5* x86, Legacy Boot	P3	No	No

¹ LEDmon version 0.79 has been tested and is supported by Intel. This version can be downloaded from the following public web site <http://sourceforge.net/projects/ledmon/files/ledmon-0.79>

Operating System	Operating System Validation Level (P)	SATA RSTe SW RAID Support (Y/N)	SATA ESRT2 SW RAID Support (Y/N)
CentOS 7.1* x64, uEFI Boot	P3	Yes	Yes
CentOS 7.1* x64, Legacy Boot	P3	Yes	Yes
CentOS 7.2* x64, uEFI Boot	P3	Yes	Yes
CentOS 7.2* x64, Legacy Boot	P3	Yes	Yes
FreeBSD 10* x64 Legacy Boot	P3	No	No
FreeBSD 10* x86 Legacy Boot	P3	No	No

Table 3. Operating System Validation Levels

Operating System Validation Levels	P1	P2	P3
Basic Installation testing	Yes	Yes	Yes
Test all on-board I/O features in all modes	Yes		
Adapter\Peripheral Compatibility & Stress testing	Yes		
Technical Support Level	T1	T2	T3

See the following sections for additional information regarding validation levels and technical support levels as referenced in Table 3.

OS Validation Levels

Basic installation testing is performed with each supported operating system. The testing validates that the system can install the operating system and that the base hardware feature set is functional. A small set of peripherals is used for installation purposes only. Add-in adapter cards are not tested.

Adapter compatibility validation (CV) testing uses test suites to gain an accurate view of how the server performs with a wide variety of adapters under the primary supported operating systems. These tests are designed to show hardware compatibility between the cards and the server platform and include functional testing only. No heavy stressing of the systems or the cards is performed for CV testing.

Stress Testing uses configurations that include add-in adapters in all available slots for a 48-hour (two days), or a 72-hour (three days) test run without injecting errors. Each configuration passes an installation test and a Network/Disk Stress test. Any fatal errors that occur require a complete test restart.

OS Technical Support Levels

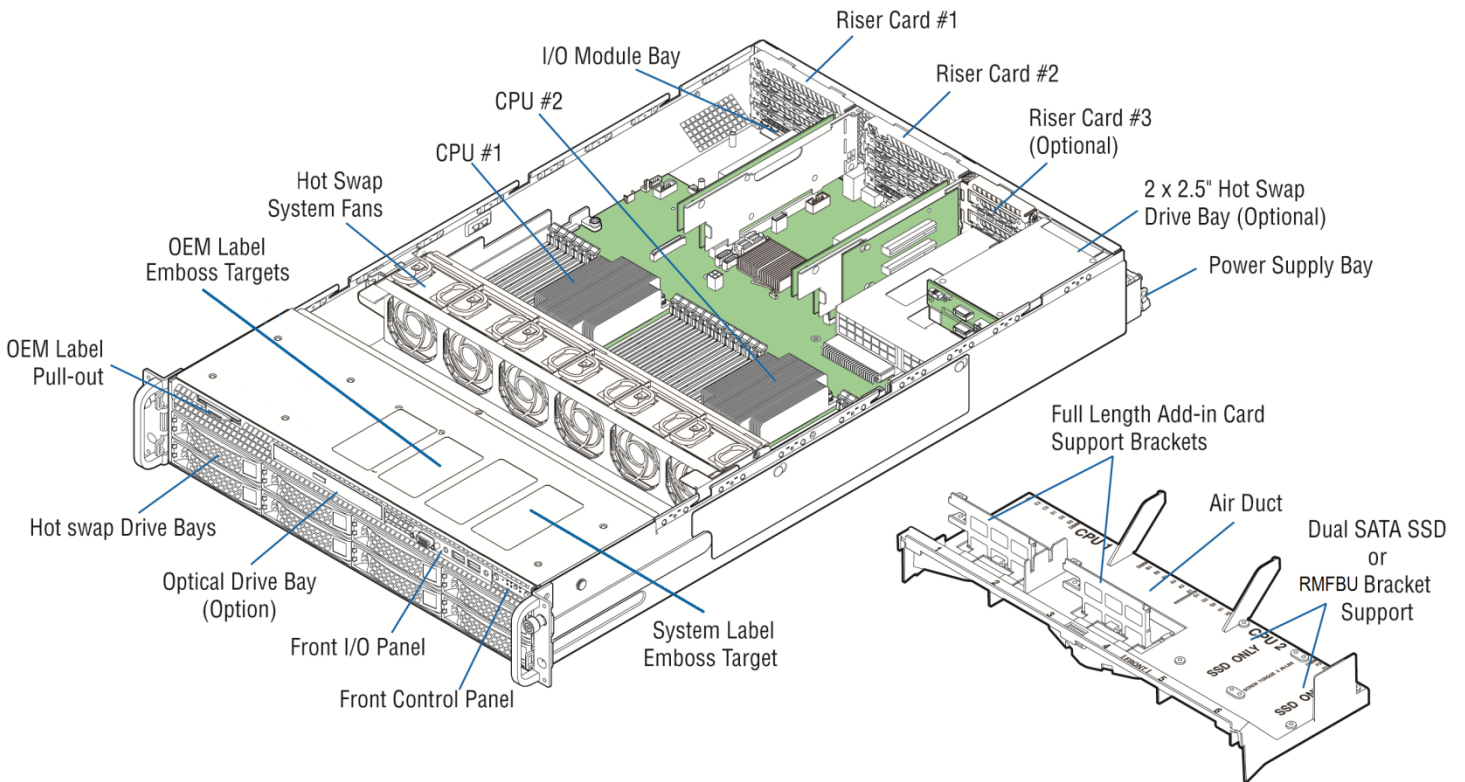
T1: Intel will provide support for issues involving the installation and/or functionality of a specified operating system as configured with or without supported adapters and/or peripherals.

T2: Intel will provide and test operating system drivers for each of the server board's integrated controllers, provided that the controller vendor has a driver available upon request. Vendors will not be required by Intel to develop drivers for operating systems that they do not already support. Intel will NOT provide support for issues related to the use of any add-in adapters or peripherals installed in the server system when an operating system that received only basic installation testing is in use.

T3: Intel will not provide technical support for an open source operating system. All questions and issues related to an open source operating system must be submitted to and supported by the open source community supporting the given operating system.

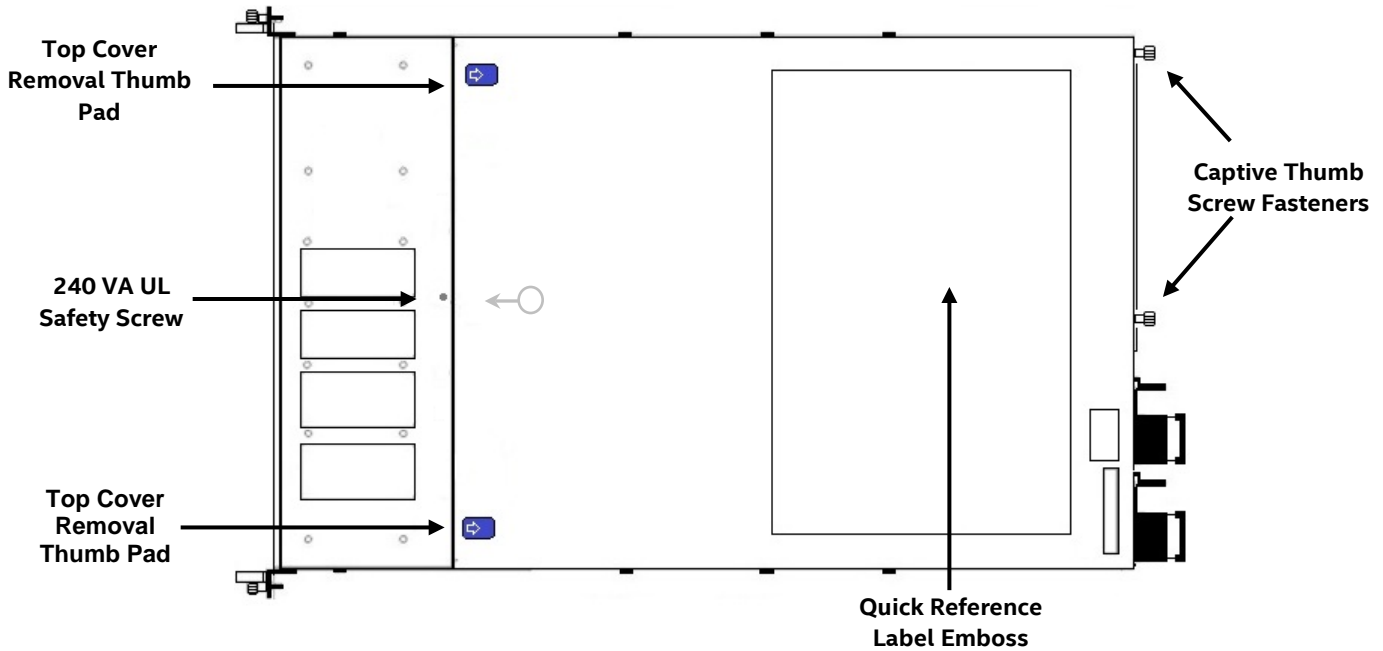
2.2 System Features Overview

Figure 1. System Components Overview



Most 2U systems within this product family will include the following standard top cover:

Note: The systems that includes a fastener screw towards on the front edge of the top cover is necessary to comply with 240VA UL Safety requirements. Figure 2. 2U Top Cover Features. Systems that come without screws along the front edge of the top cover, the thumbscrews at the rear must be torqued to ~5.5 in/lb (0.9 Nm) to comply with 240VA UL safety requirements of some countries.



2U systems that include the 12 x 3.5" front drive bay will include the following top cover.

Note: For structural support, use of this top cover requires that all three fastener screws, located on the front edge of the top cover, be installed.

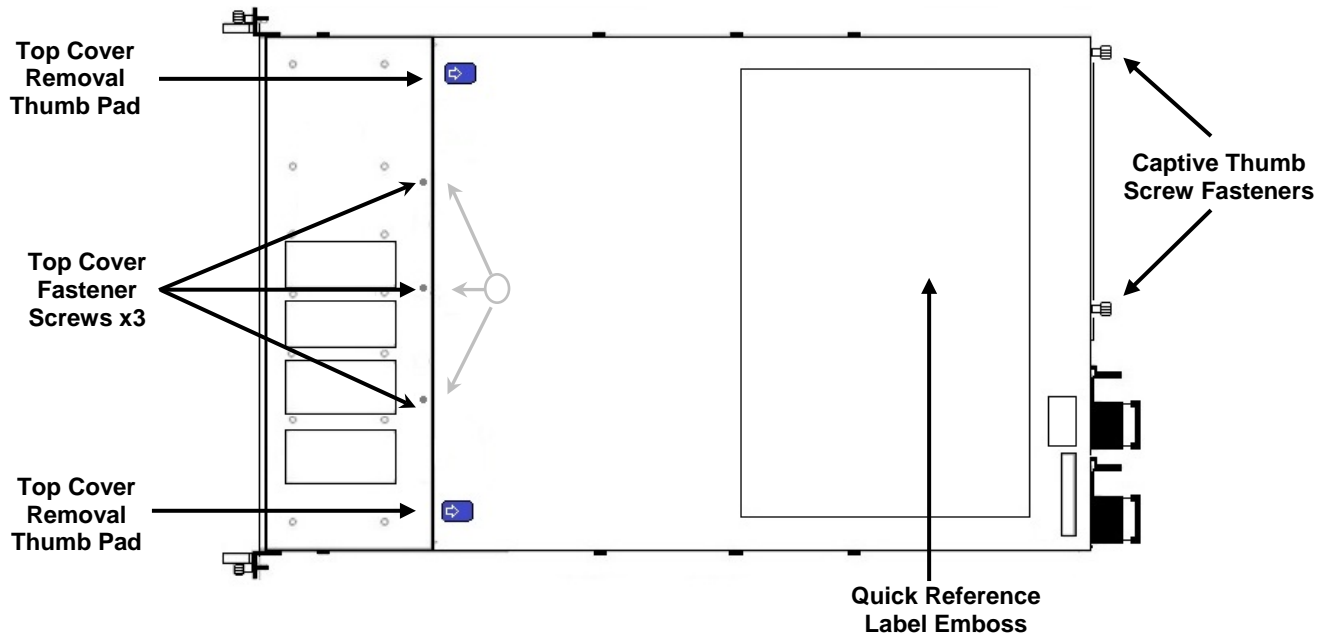


Figure 3. 2U Top Cover Features – (System with 12 x 3.5" Drive Bay)

2.3 Server Board Features Overview

The following illustration provides a general overview of the server board, identifying key feature and component locations. Please refer to *Intel® Server Board S2600WT Technical Product Specification* for more information.

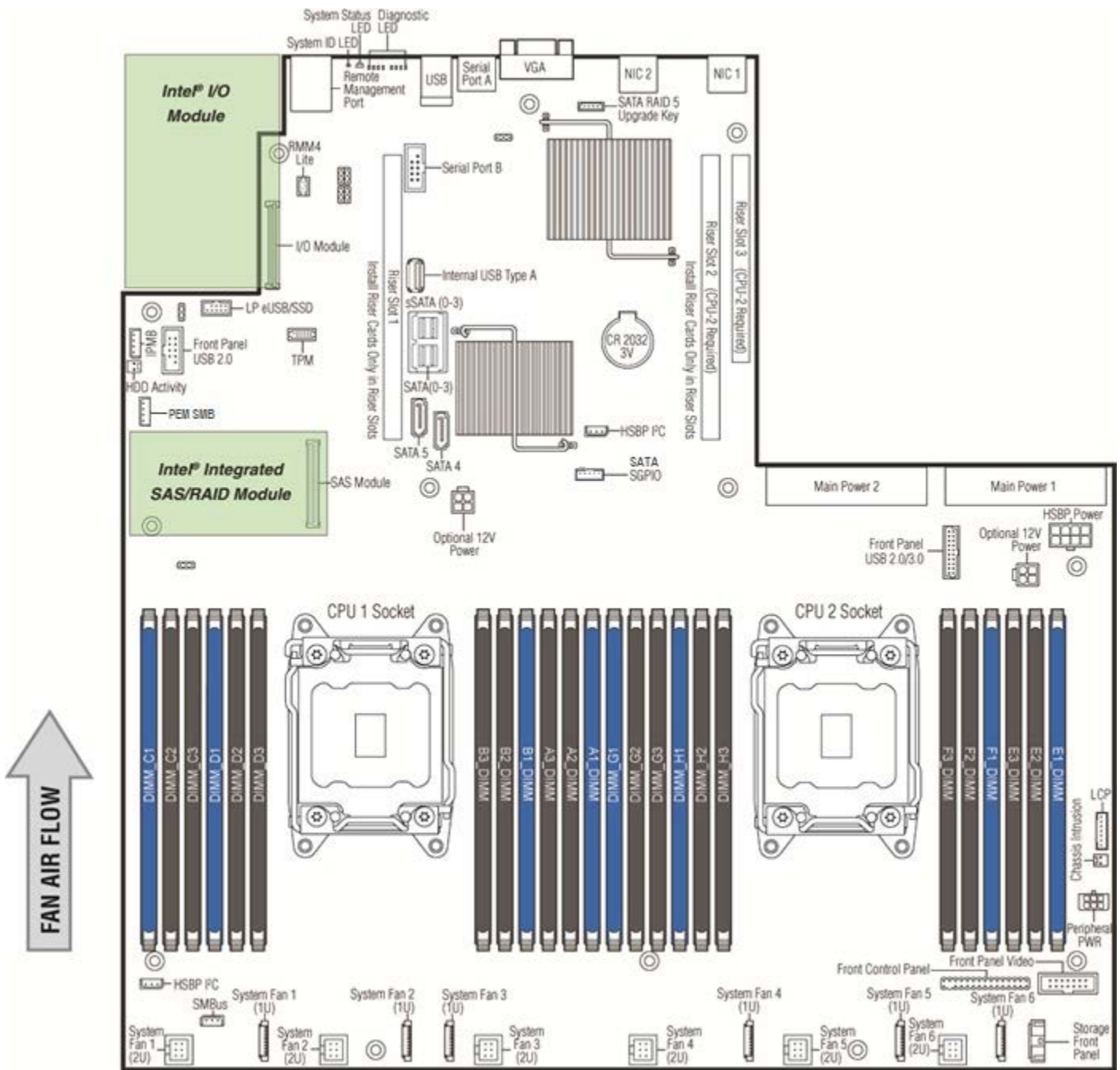
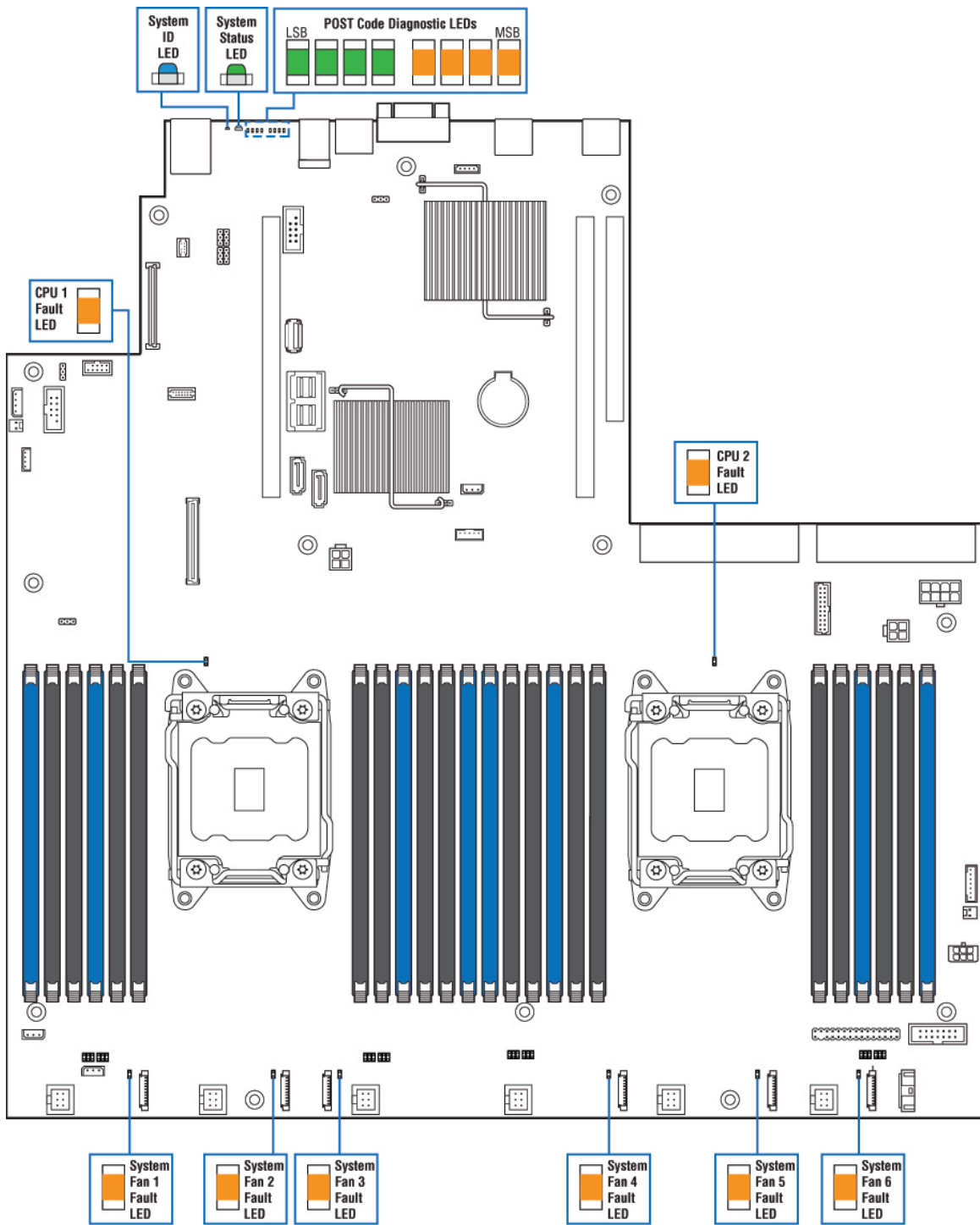


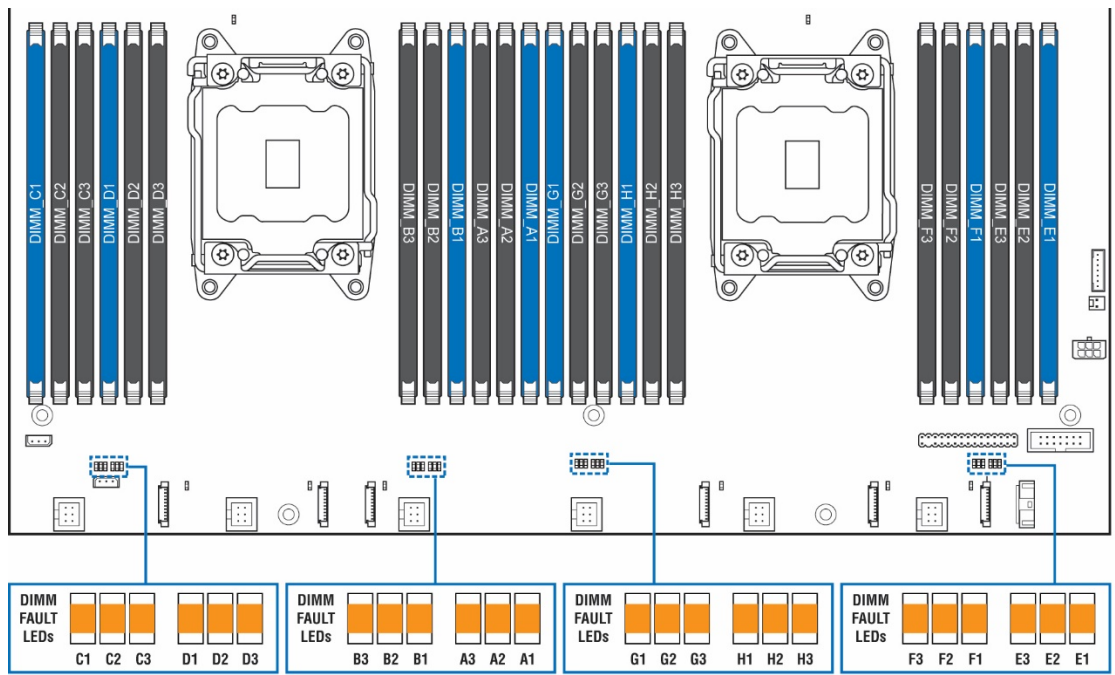
Figure 4. Server Board Features

The server board includes several LEDs to identify system status and / or indicate a component fault. The following illustrations identify each Diagnostic LED and their location.



AF006475

Figure 5. Light Guided Diagnostic LEDs



AF006403

Figure 6. DIMM Fault LEDs

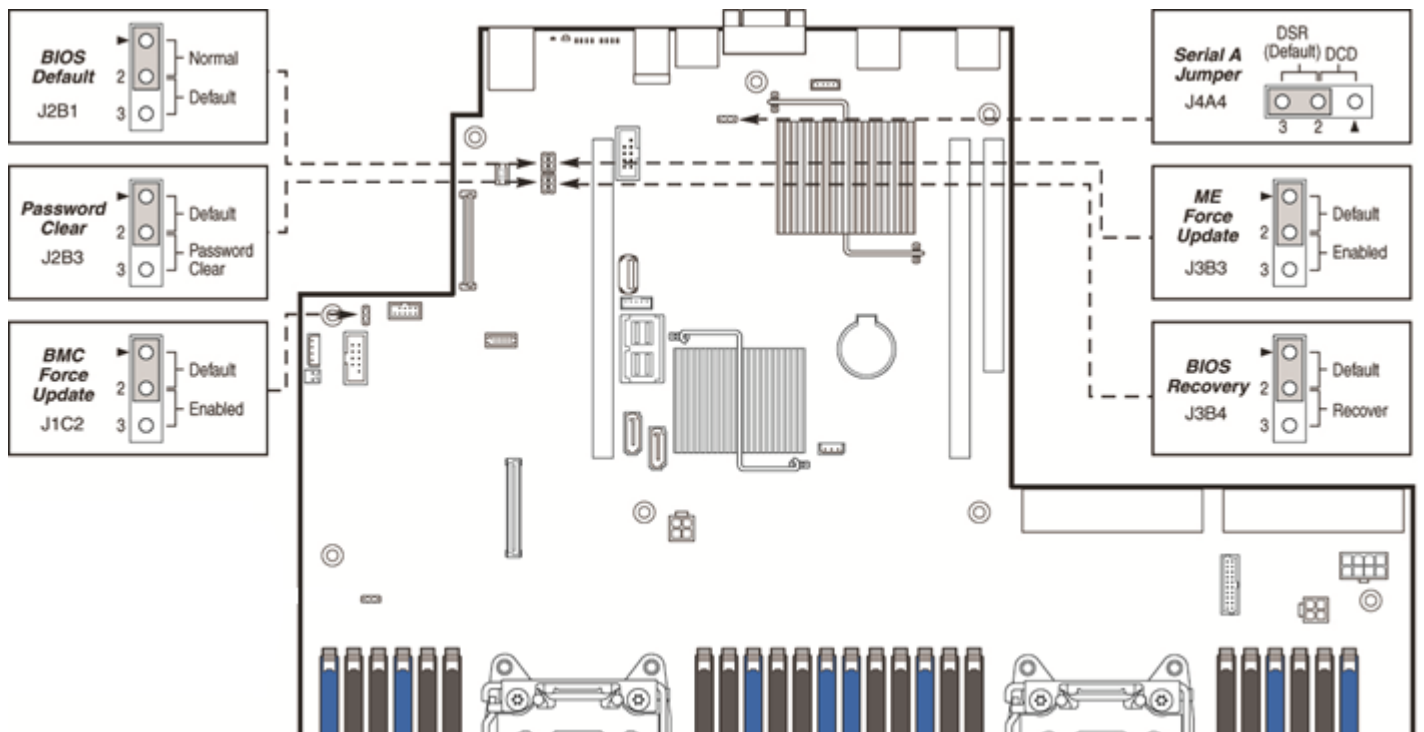


Figure 7. System Configuration and Recovery Jumpers

2.4 Back Panel Features

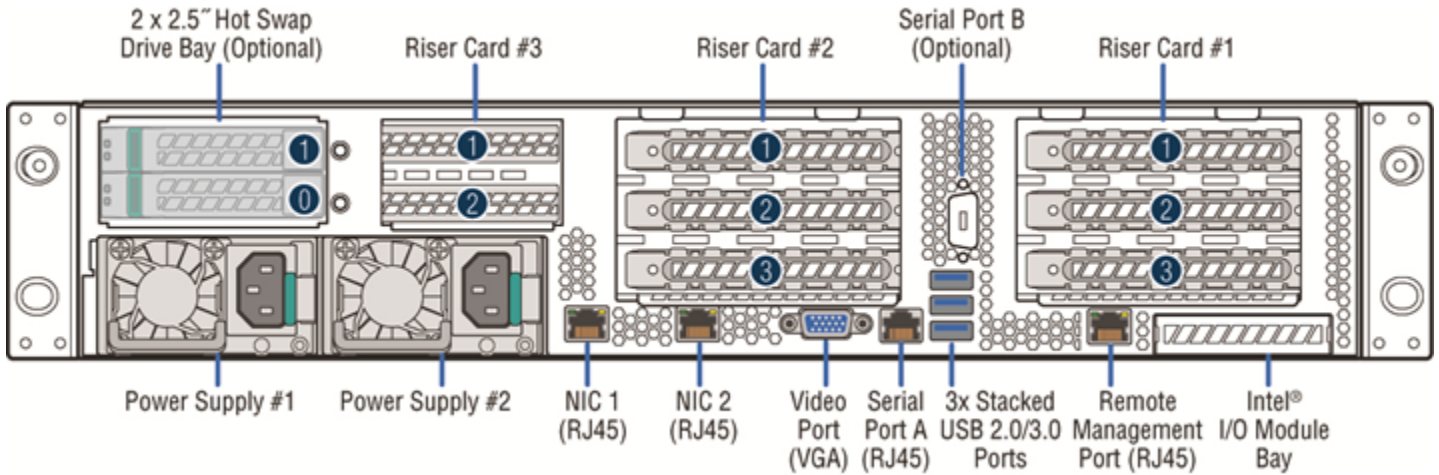
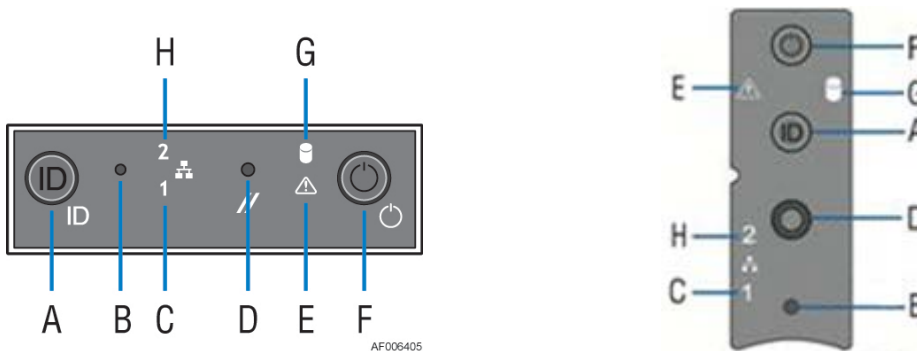


Figure 8. Back Panel Feature Identification

2.5 Front Control Panel Options



Label	Description	Label	Description
A	System ID Button w/Integrated LED	F	Power Button w/Integrated LED
B	NMI Button (recessed, tool required for use)	G	Hard Drive Activity LED
C	NIC-1 Activity LED	H	NIC-2 Activity LED
D	System Cold Reset Button (recessed, tool required for use on non-storage models)		
E	System Status LED		

Figure 9. Front Control Panel Options

2.6 Front Drive Bay Options

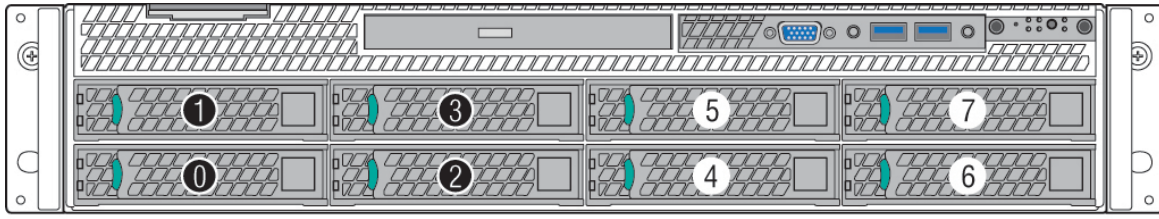


Figure 10. (Model R2308WT...) 3.5" x 8 Front Drive Bay Configuration

Figure 11. (Storage Model R2312WT...) 3.5" x 12 Front Drive Bay Configuration

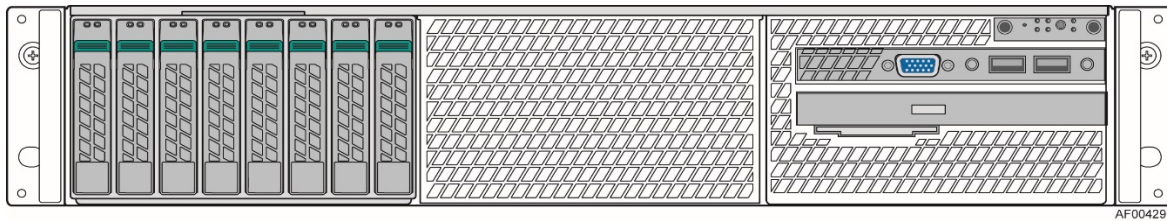
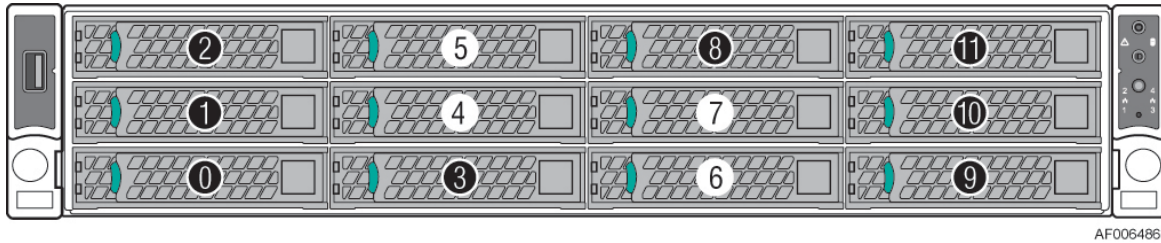


Figure 12. (Model R2208WT...) 2.5" x 8 Front Drive Bay Configuration

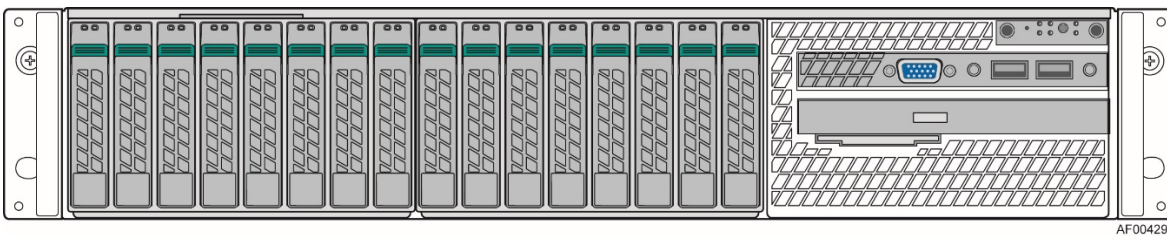


Figure 13. (Model R2216WT...) 2.5" x 16 Front Drive Bay Configuration

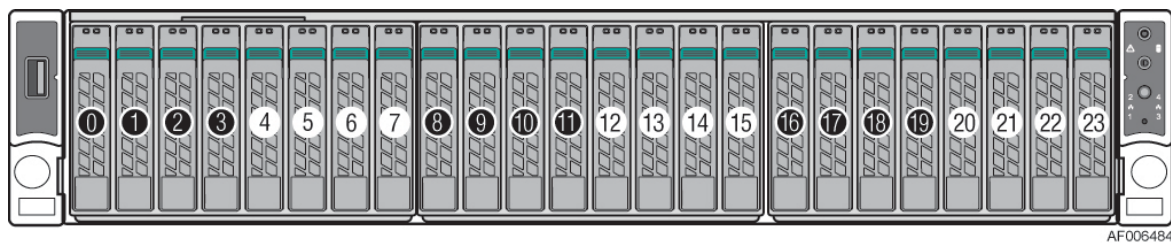
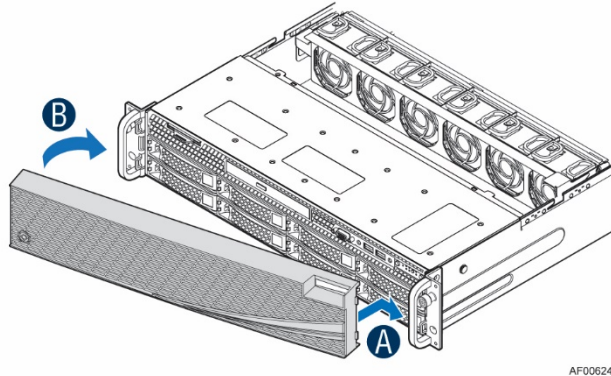


Figure 14. (Storage Model R2224WT...) 2.5" x 24 Front Drive Bay Configuration

2.7 Locking Front Bezel

The optional front bezel is made of Black molded plastic and uses a snap-on design. When installed, its design allows for maximum airflow to maintain system cooling requirements. The front bezel includes a keyed locking mechanism which can be used to prevent unauthorized access to installed storage devices and front I/O ports.

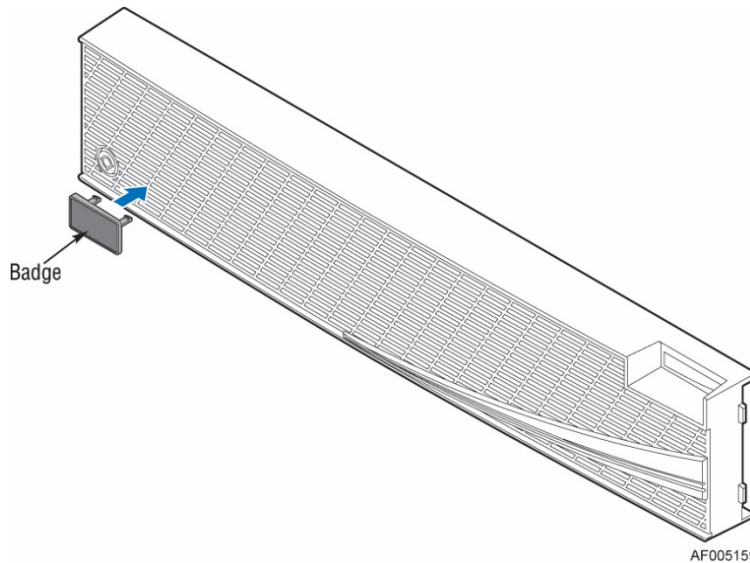


AF006243

Figure 15. Front Bezel

(Intel Product Order Code – **A2UBEZEL**)

The face of the bezel assembly includes snap-in identification badge options and a wave feature option to allow for customization.



AF005159

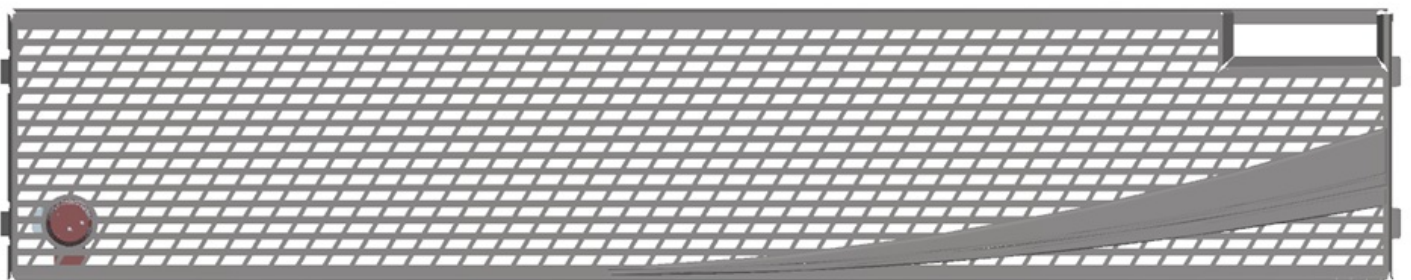


Figure 16. Front Bezel accessory with optionally installed wave feature

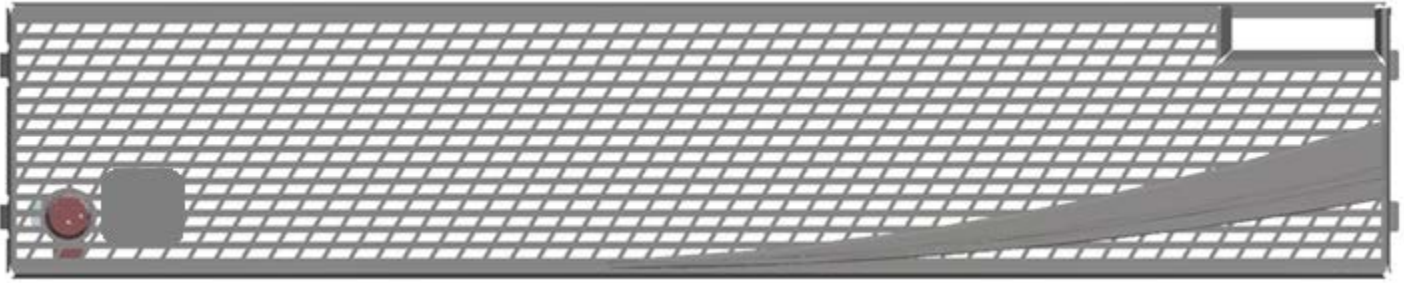


Figure 17. Front Bezel accessory with optionally installed wave and ID badge (1)

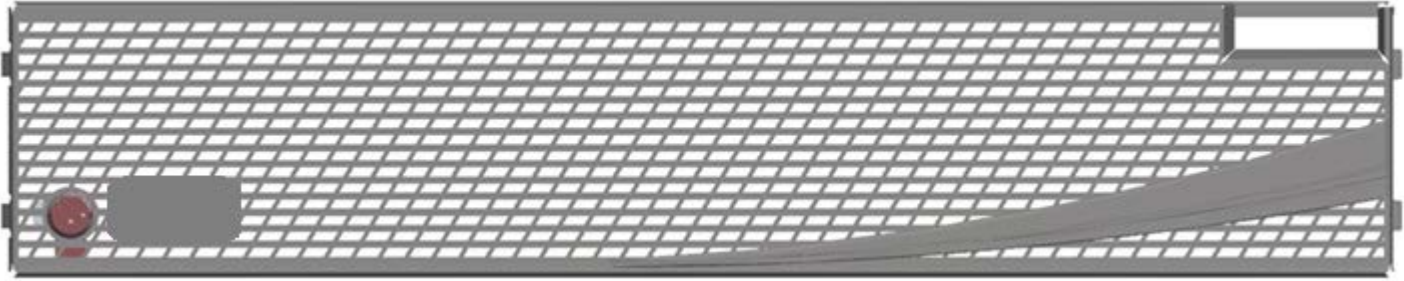


Figure 18. Front Bezel accessory with optionally installed wave and ID badge (2)

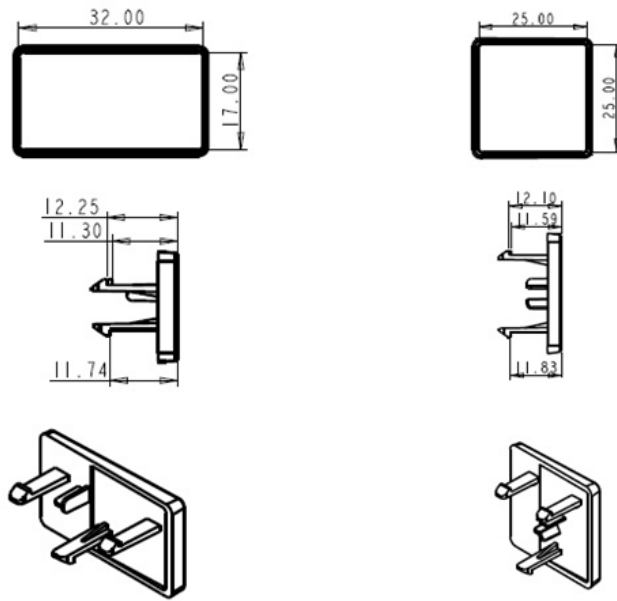


Figure 19. Front Bezel accessory ID Badge mechanical drawings

2.8 System Dimensional Data

Chassis Dimensions

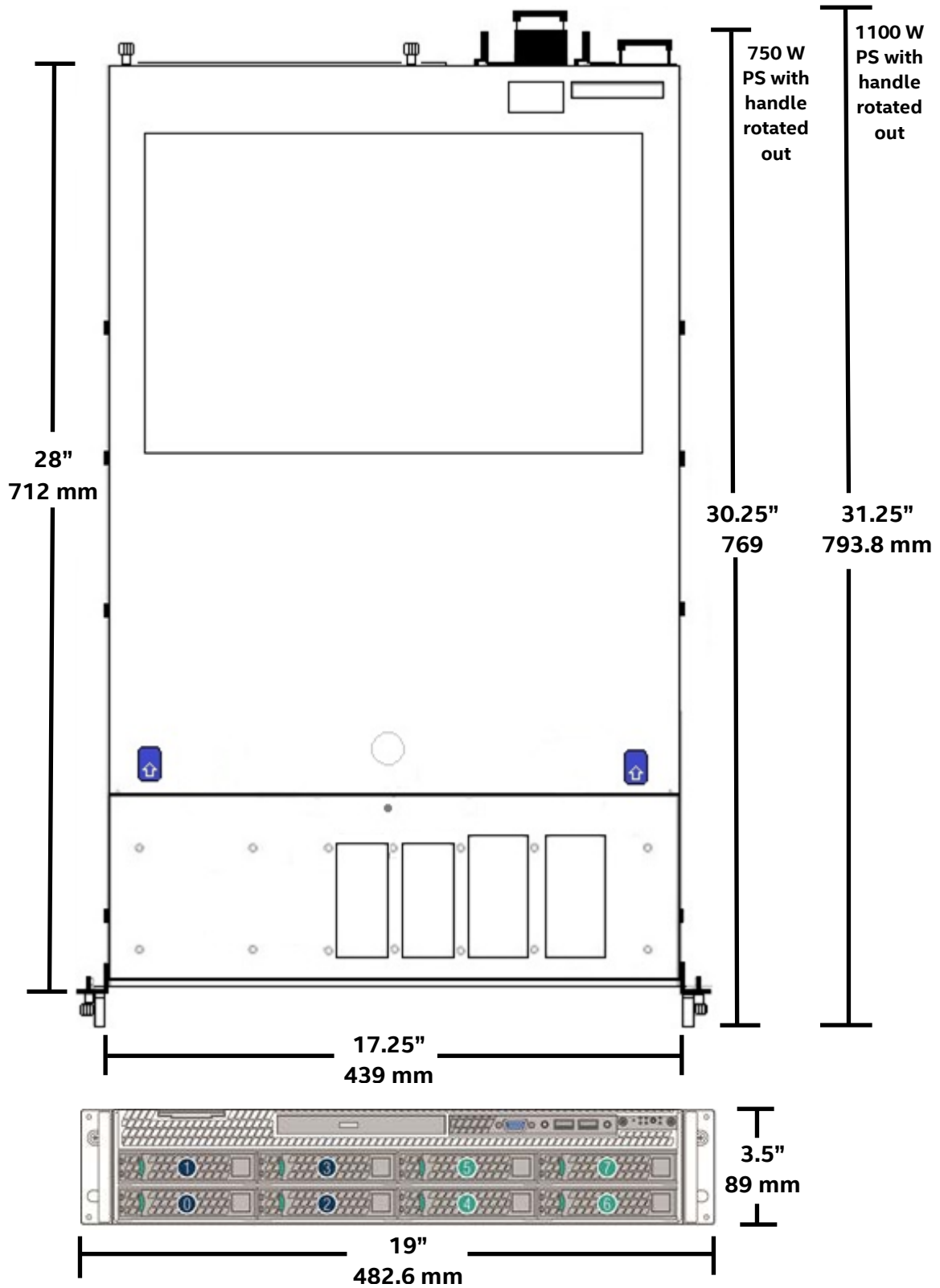


Figure 20. Chassis Dimensions

Label Emboss Dimensions

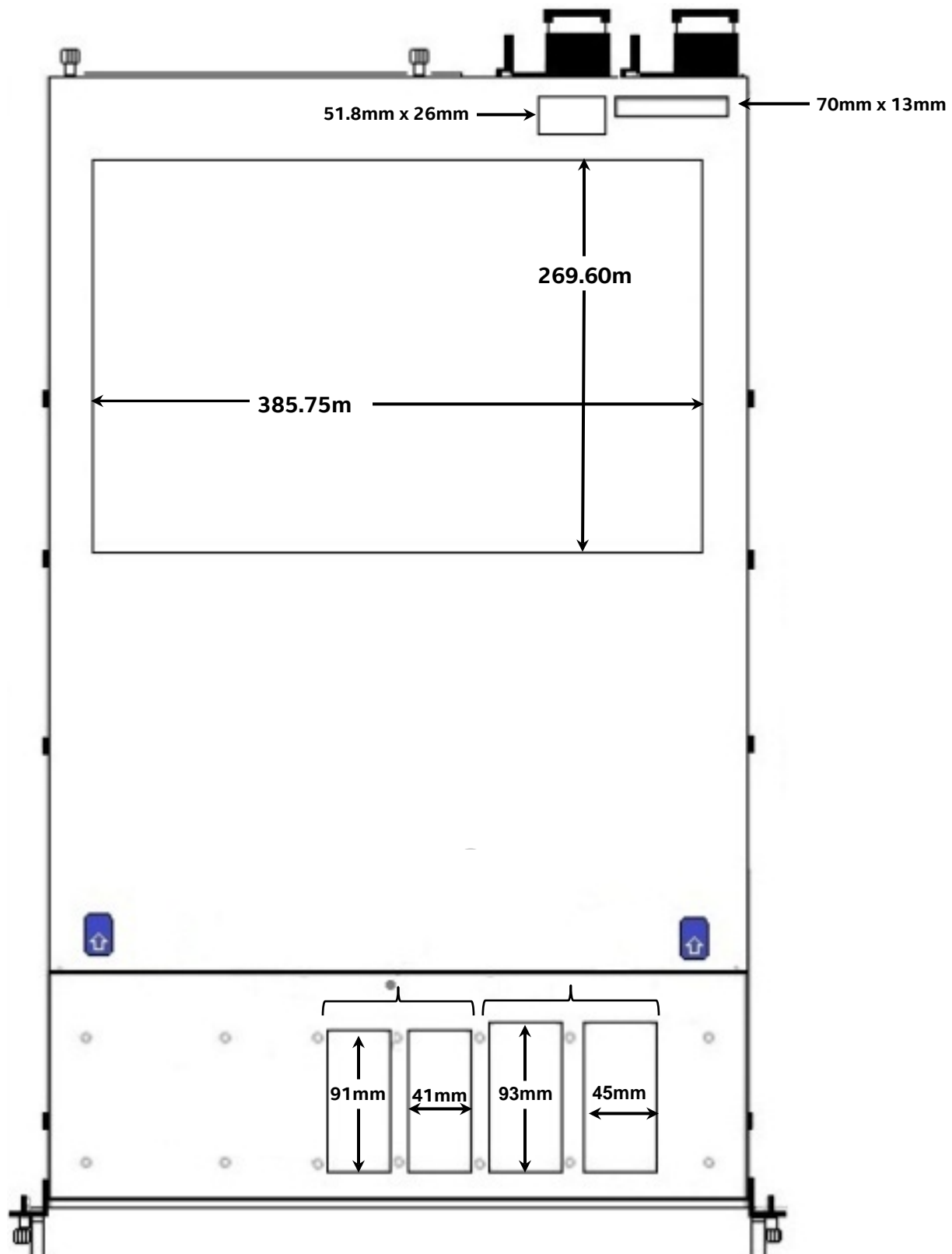


Figure 21. Label Emboss Dimensions

Pull-out Tab Label Emboss Dimensions

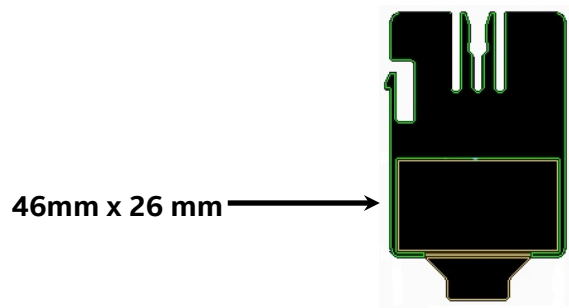


Figure 22. Pull-out Tab Label Emboss Dimensions – Non-Storage Models

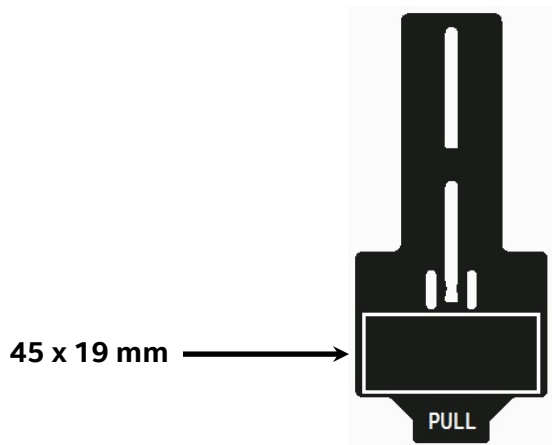
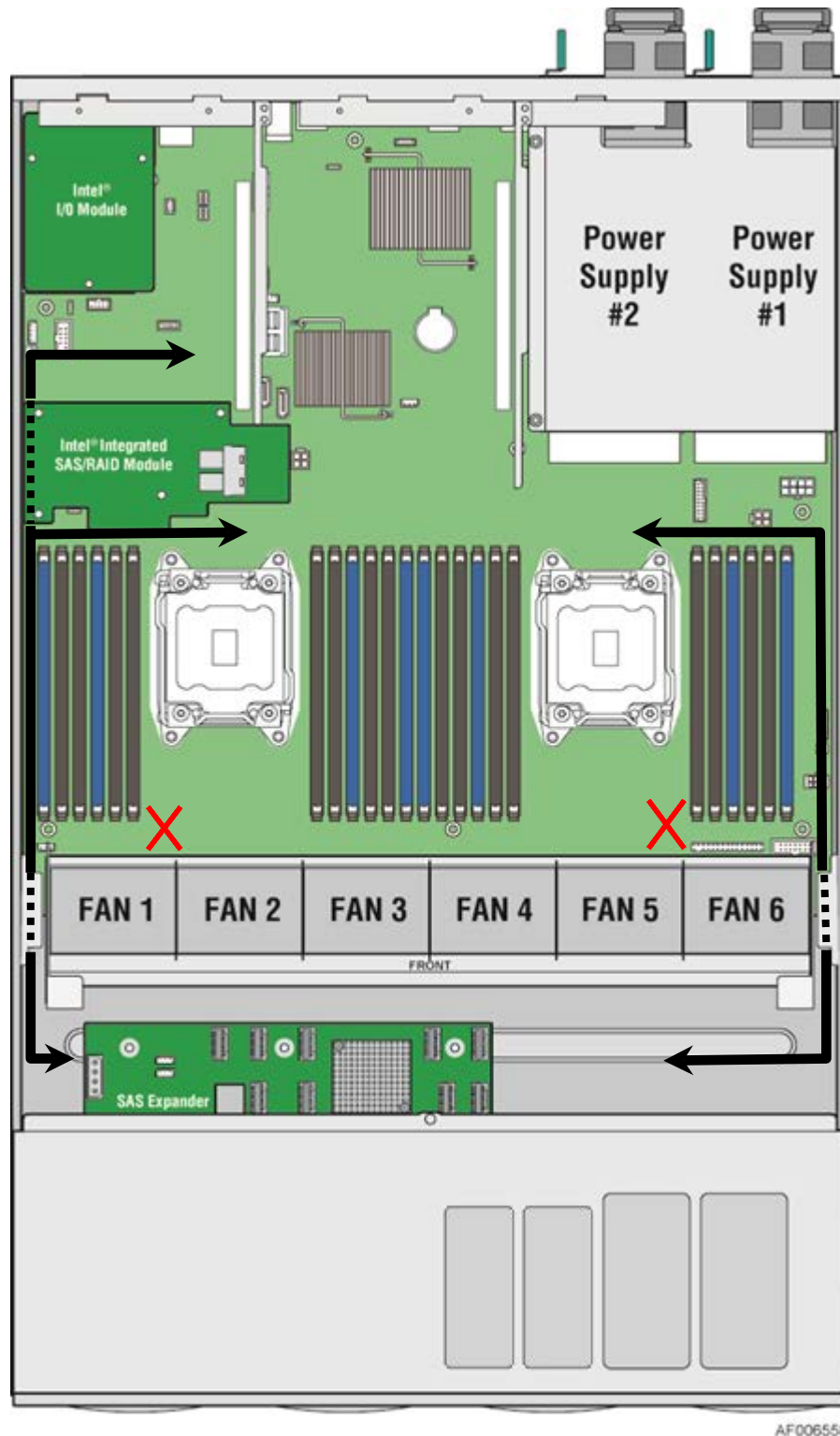


Figure 23. Pull-out Tab Label Area Dimensions – Storage Models

2.9 System Cable Routing Channels

The 2U system provides cable routing channels along each chassis sidewall. No cables should be routed directly in front of the system fans or through the center of the server board between the memory slots and CPU sockets. The system fan assembly must be removed before routing cables. See Appendix E. System Cable Routing Diagrams.



AF006558

Figure 24. System Cable Routing Channels

2.10 Available Rack and Cabinet Mounting Kit Options

Advisory Note – Available rack and cabinet mounting kits are not designed to support shipment of the server system while installed in a rack. If you chose to do so, Intel advises you verify your shipping configuration with appropriate shock and vibration testing, before shipment. Intel does not perform shipping tests which cover the complex combination of unique rack offerings and custom packaging options.

Caution: Exceeding the specified maximum weight limit of a given rail kit or misalignment of the server in the rack may result in failure of the rack rails, causing damage to the system or personal injury. Using two people or the use of a mechanical assist tool to install and align the server into the rack is highly recommended.

- **AXXPRAIL** – Tool-less rack mount rail kit
 - 1U and 2U compatible
 - 800mm max travel length
 - 54 lbs (24 kgs) max support weight
 - Tool-less installation
 - Full extension from rack
 - Drop in system install
 - Optional cable management arm support

- **AXXELVRAIL** – Enhanced Value rack mount rail kit
 - 1U to 4U compatible
 - 130 lbs (59 kgs) max support weight
 - Tool-less chassis attach
 - Tools required to attach to rails to rack
 - 2/3 extension from rack
 - Improved robustness over AXXVRAIL, same mechanical spec

- **AXX1U2UCMA** – Cable Management Arm – *supported with AXXPRAIL only

- **AXX2POSTBRCKT** – 2-Post Fixed mount bracket kit
 - 1U and 2U compatible
 - Tools required to attach components to rack
 - NOTE: Not compatible with 24x2.5" HDD or 12x3.5" HDD system SKUs

- **AXXFULLRAIL** - 2U+ Premium quality rails with CMA support
 - Travel distance 780mm
 - Full extension from rack
 - Kit includes: Rails, screws, installation manual
 - For Cable Management arm – order iPC AXXCMA2

- **AXXCMA2** - Cable management arm
 - Compatible with AXXFULLRAIL only

2.11 System Level Environmental Limits

The following table defines the system level operating and non-operating environmental limits.

Table 4. System Environmental Limits Summary

Parameter		Limits
Temperature		
	Operating	ASHRAE Class A2 – Continuous Operation. 10° C to 35° C (50° F to 95° F) with the maximum rate of change not to exceed 10°C per hour
		ASHRAE Class A3 – Includes operation up to 40C for up to 900 hrs per year.
		ASHRAE Class A4 – Includes operation up to 45C for up to 90 hrs per year.
	Shipping	-40° C to 70° C (-40° F to 158° F)
Altitude		
	Operating	Support operation up to 3050m with ASHRAE class deratings.
Humidity		
	Shipping	50% to 90%, non-condensing with a maximum wet bulb of 28° C (at temperatures from 25° C to 35° C)
Shock		
	Operating	Half sine, 2g, 11 mSec
	Unpackaged	Trapezoidal, 25 g, velocity change is based on packaged weight
	Packaged	ISTA (International Safe Transit Association) Test Procedure 3A 2008
Vibration		
	Unpackaged	5 Hz to 500 Hz 2.20 g RMS random
	Packaged	ISTA (International Safe Transit Association) Test Procedure 3A 2008
AC-DC		
	Voltage	90 Hz to 132 V and 180 V to 264 V
	Frequency	47 Hz to 63 Hz
	Source Interrupt	No loss of data for power line drop-out of 12 mSec
	Surge Non-operating and operating	Unidirectional
	Line to earth Only	AC Leads 2.0 kV I/O Leads 1.0 kV DC Leads 0.5 kV
ESD		
	Air Discharged	12.0 kV
	Contact Discharge	8.0 kV
Acoustics Sound Power Measured		
	Power in Watts	<300 W ≥300 W ≥600 W ≥1000 W
	Servers/Rack Mount Sound Power Level (in BA)	7.0 7.0 7.0 7.0 Note: System configurations that include one or more Intel® Xeon Phi™ co-processor cards may exhibit sound power levels of up to 8.0

See Appendix D in this document or the *Intel® S2600WT Product Family Power Budget and Thermal Configuration Tool* for system configuration requirements and limitations.

2.12 System Packaging

The original Intel packaging is designed to provide protection to a fully configured system and was tested to meet ISTA (International Safe Transit Association) Test Procedure 3A (2008). The packaging was also designed to be re-used for shipment after system integration has been completed.

The original packaging includes two layers of boxes – an inner box and the outer shipping box, and various protective inner packaging components. The boxes and packaging components are designed to function together as a protective packaging system. When reused, all of the original packaging material must be used, including both boxes and each inner packaging component. In addition, all inner packaging components MUST be reinstalled in the proper location to ensure adequate protection of the system for subsequent shipment.

NOTE: The design of the inner packaging components does not prevent improper placement within the packaging assembly. There is only one correct packaging assembly that will allow the package to meet the ISTA (International Safe Transit Association) Test Procedure 3A (2008) limits. See the *Intel® Server System R2000WT Product Family System Integration and Service Guide* for complete packaging assembly instructions.

Failure to follow the specified packaging assembly instructions may result in damage to the system during shipment.

Outer Shipping Box External Dimensions:

Length = 983mm

Breadth = 577mm

Height = 260mm

Inner Box Internal Dimensions:

Length = 956mm

Breadth = 550mm

Height = 202mm

Intel Product Weight Information

Product code	Product Type	Packaged Gross Weight (Kg)	Packaged Gross Weight (Lbs)	Un-packaged Net Weight (Kg)	Un-packaged Net Weight (Lbs)
R2000WTXXX	Chassis	19.0	41.9	13.3	29.3
R2312WTXXX	Chassis	21.2	46.7	14.5	32.0
R2308WTTYSR	L6 System	23.5	51.8	16.1	35.5
R2312WTTYSR	L6 System	24.4	53.8	17.0	37.5
R2208WTTYSR	L6 System	22.9	50.5	16.2	35.7
R2208WT2YSR	L6 System	22.9	50.5	16.2	35.7
R2208WTTYC1R	L6 System	22.9	50.5	16.2	35.7
R2224WTTYSR	L6 System	25.0	55.1	18.3	40.3

Note: An L6 system does not include processors, memory, drives, or add-in cards. It is the system configuration as shipped from Intel. Integrated system weights (System configurations that include the items

above) will vary depending on the final system configuration. For the 2U product family, a fully integrated un-packaged system can weigh upwards of 65 Lbs (29.5 Kg).

3. System Power

This chapter provides a high level overview of the features and functions related to system power.

3.1 Power Supply Configurations

The server system can have up to two power supply modules installed and can support the following power supply configurations: 1+0 (single power supply), 1+1 Redundant Power, and 2+0 Combined Power (non-redundant). 1+1 redundant power and 2+0 combined power configurations are automatically configured depending on the total power draw of the system. If the total system power draw exceeds the power capacity of a single power supply module, then power from the 2nd power supply module will be utilized. Should this occur, power redundancy is lost. In a 2+0 power configuration, total power available may be less than twice the rated power of the installed power supply modules due to the amount of heat produced with both supplies providing peak power. Should system thermals exceed programmed limits, platform management will attempt to keep the system operational. See *Closed Loop System Throttling (CLST)* later in this chapter, and Chapter 4 *Thermal Management*, for details.

Caution: Installing two Power Supply Units with different wattage ratings in a system is not supported. Doing so will not provide Power Supply Redundancy and will result in multiple errors being logged by the system.

The power supplies are modular, allowing for tool-less insertion and extraction from a bay in the back of the chassis. When inserted, the card edge connector of the power supply mates blindly to a matching slot connector on the server board.

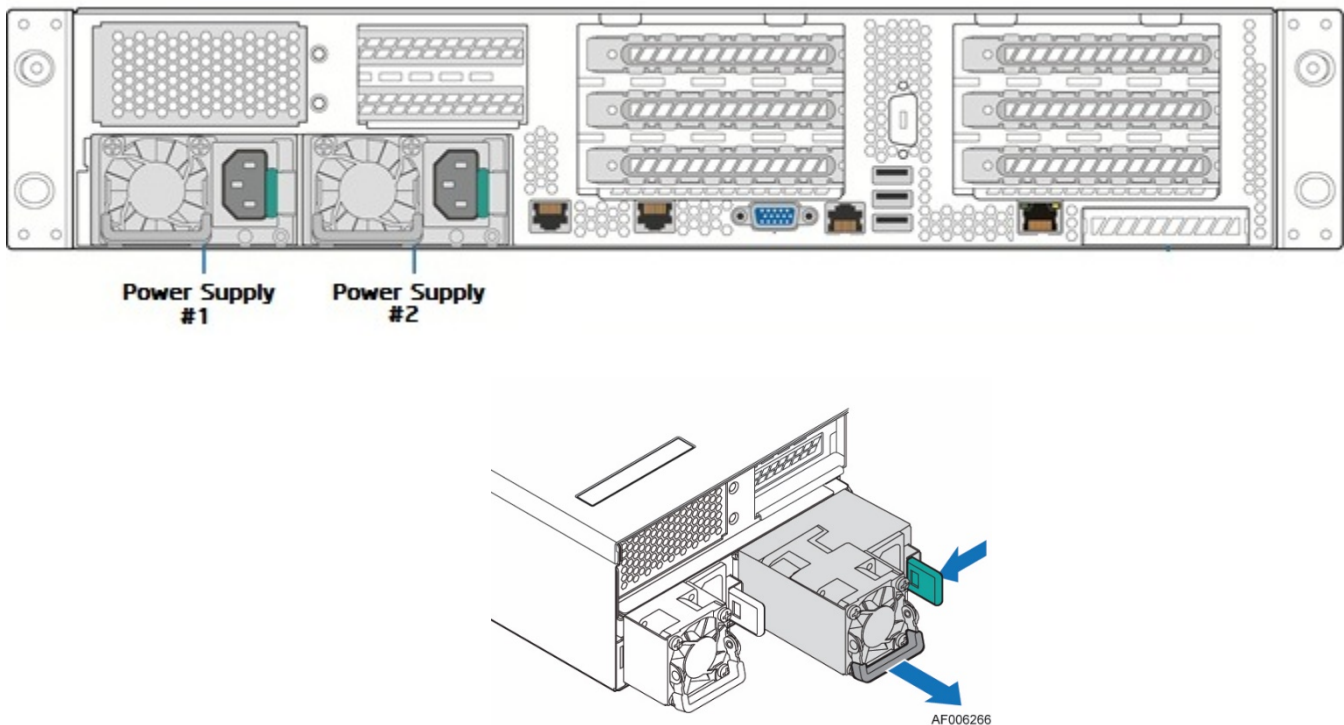


Figure 25. Power Supply Module Identification

In the event of a power supply failure, redundant 1+1 power supply configurations have support for hot-swap extraction and insertion. The AC input is auto-ranging and power factor corrected.

3.2 Power Supply Module Options

There are three power supply options available for this server product family: 750W AC Platinum, 1100W AC Platinum, and 750W DC Gold.

Power Supply Module Efficiency

The following tables provide the required minimum efficiency level at various loading conditions. These are provided at three different load levels: 100%, 50% and 20%.

The AC power supply efficiency is tested over an AC input voltage range of 115 VAC to 220 VAC.

Table 5. 750 Watt AC Power Supply Efficiency (Platinum)

Loading	100% of maximum	50% of maximum	20% of maximum	10% of maximum
Minimum Efficiency	91%	94%	90%	82%

Table 6. 1100 Watt AC Power Supply Efficiency (Platinum)

Loading	100% of maximum	50% of maximum	20% of maximum	10% of maximum
Minimum Efficiency	91%	94%	90%	82%

The DC power supply efficiency is tested with a -53V DC input.

Table 7. 750 Watt DC Power Supply Efficiency (Gold)

Loading	100% of maximum	50% of maximum	20% of maximum	10% of maximum
Minimum Efficiency	88%	92%	88%	80%

Power Supply Module Mechanical Overview



750W AC Power Supply module with single fan



1100W AC Power Supply module with dual fans



750W DC Power Supply Module



AC and DC Power Cable Connectors

The physical size of the 750W AC and DC power supply enclosure is 39mm x 74mm x 185mm. The power supply contains a single 40mm fan. The power supply has a card edge output that interfaces with a 2x25 card edge connector in the system. The AC plugs directly into the external face of the power supply.

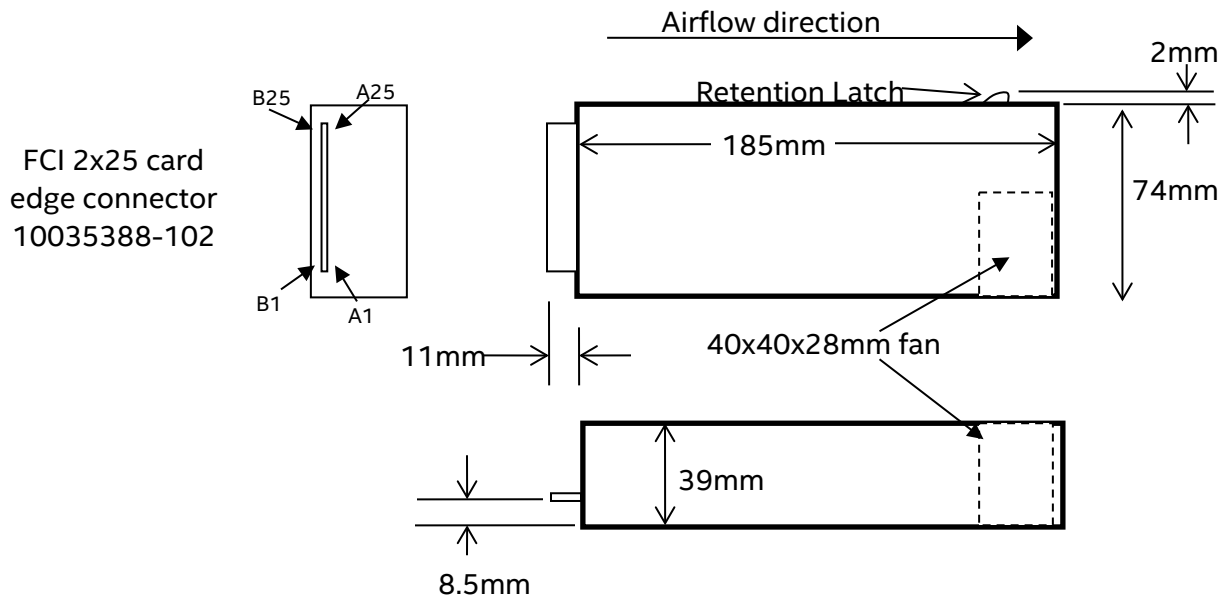


Figure 26. 750W AC & DC Power Supply Module Mechanical Drawing

The physical size of the 1100W AC power supply enclosure is 39mm x 74mm x 185mm. The power supply includes dual in-line 40mm fans, with one mounted inside the enclosure, and the other extending outside the enclosure.

Note: the 2nd fan will protrude from the back of the power supply bay, making the total length 213mm front to back.

The power supply has a card edge output that interfaces with a 2x25 card edge connector in the system.

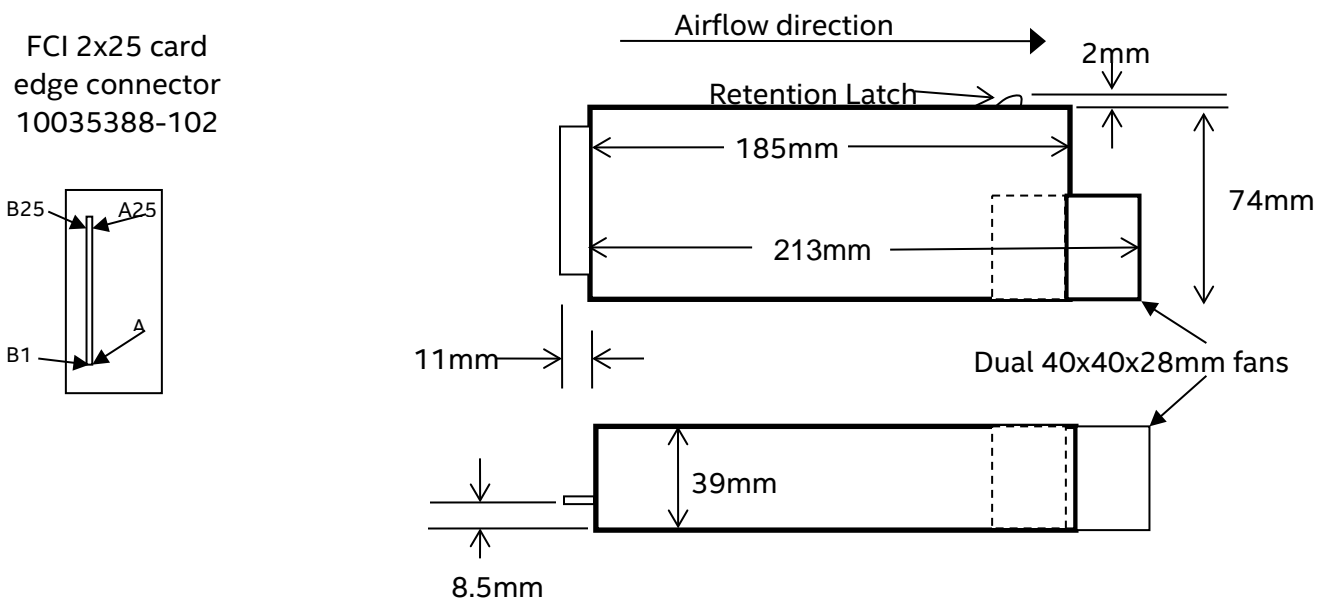


Figure 27. 1100W AC Power Supply Module Mechanical Drawing

Power Cord Specification Requirements

The AC power cord used must meet the specification requirements listed in the following table.

Table 8. AC Power Cord Specifications

Cable Type	SJT
Wire Size	16 AWG
Temperature Rating	105°C
Amperage Rating	13 A
Voltage Rating	125 V

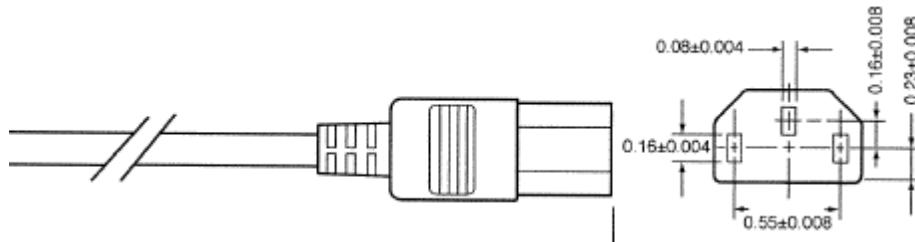


Figure 28. AC Power Cord Specification

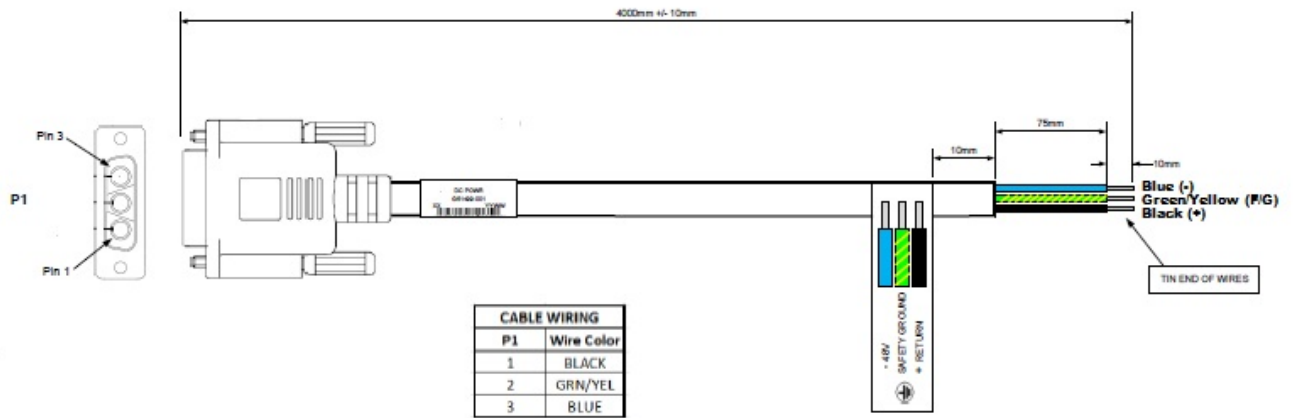


Figure 29. DC Power Cord Specification

Table 9. DC Power Cable Connector Pin-out

Pin	Definition
1	+ Return
2	Safety Ground
3	- 48V

3.3 AC Power Supply Input Specifications

The following sections provide the AC Input Specifications for systems configured with AC power supply modules.

Power Factor

The power supply must meet the power factor requirements stated in the Energy Star® Program Requirements for Computer Servers. These requirements are stated below.

Output power	10% load	20% load	50% load	100% load
Power factor	> 0.65	> 0.80	> 0.90	> 0.95

Tested at 230Vac, 50Hz and 60Hz and 115VAC, 60Hz

AC Input Voltage Specification

The power supply must operate within all specified limits over the following input voltage range. Harmonic distortion of up to 10% of the rated line voltage must not cause the power supply to go out of specified limits. Application of an input voltage below 85VAC shall not cause damage to the power supply, including a blown fuse.

Table 10. AC Input Voltage Range – 750W Power Supply

PARAMETER	MIN	RATED	VMAX	Start up VAC	Power Off VAC
Voltage (110)	90 Vrms	100-127 Vrms	140 Vrms	85VAC +/-4VAC	70VAC +/-5VAC
Voltage (220)	180 Vrms	200-240 Vrms	264 Vrms		
Frequency	47 Hz	50/60	63 Hz		

1. Maximum input current at low input voltage range shall be measured at 90VAC, at max load.
2. Maximum input current at high input voltage range shall be measured at 180VAC, at max load.
3. This requirement is not to be used for determining agency input current markings.

Table 11. AC Input Voltage Range – 1100W Power Supply

PARAMETER	MIN	RATED	VMAX	Start up VAC	Power Off VAC
Voltage (110)	90 Vrms	100-127 Vrms	140 Vrms	85VAC +/-4VAC	74VAC +/-5VAC
Voltage (220)	180 Vrms	200-240 Vrms	264 Vrms		
Frequency	47 Hz	50/60	63 Hz		

1. Maximum input current at low input voltage range shall be measured at 90VAC, at max load.
2. Maximum input current at high input voltage range shall be measured at 180VAC, at max load.
3. This requirement is not to be used for determining agency input current markings.

AC Line Isolation Requirements

The power supply shall meet all safety agency requirements for dielectric strength. Transformers' isolation between primary and secondary windings must comply with the 3000Vac (4242Vdc) dielectric strength criteria. If the working voltage between primary and secondary dictates a higher dielectric strength test voltage the highest test voltage should be used. In addition the insulation system must comply with reinforced insulation per safety standard IEC 950. Separation between the primary and secondary circuits, and primary to ground circuits, must comply with the IEC 950 spacing requirements.

AC Line Dropout / Holdup

An AC line dropout is defined to be when the AC input drops to 0VAC at any phase of the AC line for any length of time. During an AC dropout the power supply must meet dynamic voltage regulation requirements. An AC line dropout of any duration shall not cause tripping of control signals or protection circuits. If the AC dropout lasts longer than the hold up time the power supply should recover and meet all turn on requirements. The power supply shall meet the AC dropout requirement over rated AC voltages and frequencies. A dropout of the AC line for any duration shall not cause damage to the power supply.

Table 12. AC Line Holdup Time - 750W Power Supply

Loading	Holdup time
70%	12msec

Table 13. AC Line Holdup Time - 1100W Power Supply

Loading	Holdup time
70%	10msec

AC Line 12VSB Holdup

The 12VSB output voltage should stay in regulation under its full load (static or dynamic) during an AC dropout of **70ms min** (=12VSB holdup time) whether the power supply is in ON or OFF state (PSON asserted or de-asserted).

AC Line Fuse

The power supply shall have one line fused in the **single line fuse** on the line (Hot) wire of the AC input. The line fusing shall be acceptable for all safety agency requirements. The input fuse shall be a slow blow type. AC inrush current shall not cause the AC line fuse to blow under any conditions. All protection circuits in the power supply shall not cause the AC fuse to blow unless a component in the power supply has failed. This includes DC output load short conditions.

AC Inrush

AC line inrush current shall not exceed **55A peak**, for up to one-quarter of the AC cycle, after which, the input current should be no more than the specified maximum input current. The peak inrush current shall be less than the ratings of its critical components (including input fuse, bulk rectifiers, and surge limiting device).

The power supply must meet the inrush requirements for any rated AC voltage, during turn on at any phase of AC voltage, during a single cycle AC dropout condition as well as upon recovery after AC dropout of any duration, and over the specified temperature range (T_{op}).

AC Line Transient Specification

AC line transient conditions shall be defined as “sag” and “surge” conditions. “Sag” conditions are also commonly referred to as “brownout”, these conditions will be defined as the AC line voltage dropping below nominal voltage conditions. “Surge” will be defined to refer to conditions when the AC line voltage rises above nominal voltage.

The power supply shall meet the requirements under the following AC line sag and surge conditions.

Table 14. AC Line Sag Transient Performance

AC Line Sag (10sec interval between each sagging)				
Duration	Sag	Operating AC Voltage	Line Frequency	Performance Criteria
0 to 1/2 AC cycle	95%	Nominal AC Voltage ranges	50/60Hz	No loss of function or performance
> 1 AC cycle	>30%	Nominal AC Voltage ranges	50/60Hz	Loss of function acceptable, self recoverable

Table 15. AC Line Surge Transient Performance

AC Line Surge				
Duration	Surge	Operating AC Voltage	Line Frequency	Performance Criteria
Continuous	10%	Nominal AC Voltages	50/60Hz	No loss of function or performance
0 to 1/2 AC cycle	30%	Mid-point of nominal AC Voltages	50/60Hz	No loss of function or performance

Susceptibility Requirements

The power supply shall meet the following electrical immunity requirements when connected to a cage with an external EMI filter which meets the criteria defined in the SSI document EPS Power Supply Specification. For further information on Intel standards please request a copy of the Intel Environmental Standards Handbook.

Table 16. Performance Criteria

Level	Description
A	The apparatus shall continue to operate as intended. No degradation of performance.
B	The apparatus shall continue to operate as intended. No degradation of performance beyond spec limits.
C	Temporary loss of function is allowed provided the function is self-recoverable or can be restored by the operation of the controls.

Electrostatic Discharge Susceptibility

The power supply shall comply with the limits defined in EN 55024: 1998/A1: 2001/A2: 2003 using the IEC 61000-4-2: Edition 1.2: 2001-04 test standard and performance criteria B defined in Annex B of CISPR 24.

Fast Transient/Burst

The power supply shall comply with the limits defined in EN55024: 1998/A1: 2001/A2: 2003 using the IEC 61000-4-4: Second edition: 2004-07 test standard and performance criteria B defined in Annex B of CISPR 24.

Radiated Immunity

The power supply shall comply with the limits defined in EN55024: 1998/A1: 2001/A2: 2003 using the IEC 61000-4-3: Edition 2.1: 2002-09 test standard and performance criteria A defined in Annex B of CISPR 24.

Surge Immunity

The power supply shall be tested with the system for immunity to the following for each power supply option:

- **750W Power Supply** – AC Unidirectional wave; 2kV line to ground and 1kV line to line, per EN 55024: 1998/A1: 2001/A2: 2003, EN 61000-4-5: Edition 1.1:2001-04 .
- **1100W Power Supply** – AC Unidirectional wave; 2.6kV line to ground and 1.3kV line to line, per EN 55024: 1998/A1: 2001/A2: 2003, EN 61000-4-5: Edition 1.1:2001-04 .

The pass criteria include: No unsafe operation is allowed under any condition; all power supply output voltage levels to stay within proper spec levels; No change in operating state or loss of data during and after the test profile; No component damage under any condition.

The power supply shall comply with the limits defined in EN55024: 1998/A1: 2001/A2: 2003 using the IEC 61000-4-5: Edition 1.1:2001-04 test standard and performance criteria B defined in Annex B of CISPR 24.

Power Recovery

The power supply shall recover automatically after an AC power failure. AC power failure is defined to be any loss of AC power that exceeds the dropout criteria.

Voltage Interruptions

The power supply shall comply with the limits defined in EN55024: 1998/A1: 2001/A2: 2003 using the IEC 61000-4-11: Second Edition: 2004-03 test standard and performance criteria C defined in Annex B of CISPR 24.

Protection Circuits

Protection circuits inside the power supply cause only the power supply's main outputs to shut down. If the power supply latches off due to a protection circuit tripping, an AC cycle OFF for 15 seconds and a PSON# cycle HIGH for one second reset the power supply.

Over-current Protection (OCP)

The power supply shall have current limit to prevent the outputs from exceeding the values shown in table below. If the current limits are exceeded the power supply shall shutdown and latch off. The latch will be cleared by toggling the PSON# signal or by an AC power interruption. The power supply shall not be damaged from repeated power cycling in this condition. 12VSB will be auto-recovered after removing OCP limit.

Table 17. Over Current Protection - 750 Watt Power Supply

Output Voltage	Input voltage range	Over Current Limits
+12V	90 – 264VAC	72A min; 78A max
12VSB	90 – 264VAC	2.5A min; 3.5A max

Table 18. Over Current Protection - 1100W Power Supply

Output Voltage	Input voltage range	Over Current Limits
+12V	90 – 264VAC	120A min; 132A max
	Trip Delay	50mSec min
12VSB	90 – 264VAC	2.5A min; 3.5A max

Over-voltage Protection (OVP)

The power supply over voltage protection shall be locally sensed. The power supply shall shutdown and latch off after an over voltage condition occurs. This latch shall be cleared by an AC power interruption. The values are measured at the output of the power supply's connectors. The voltage shall never exceed the maximum levels when measured at the power connectors of the power supply connector during any single point of fail. The voltage shall never trip any lower than the minimum levels when measured at the power connector. 12VSB will be auto-recovered after removing OVP limit.

Table 19. Over Voltage Protection (OVP) Limits – 750W Power Supply

Output Voltage	MIN (V)	MAX (V)
+12V	13.3	14.5
+12VSB	13.3	14.5

Table 20. Over Voltage Protection (OVP) Limits – 1100W Power Supply

Output Voltage	MIN (V)	MAX (V)
+12V	13.5	14.5
+12VSB	13.5	14.5

Over-temperature Protection (OTP)

The power supply will be protected against over temperature conditions caused by loss of fan cooling or excessive ambient temperature. In an OTP condition the PSU will shut down. When the power supply temperature drops to within specified limits, the power supply shall restore power automatically, while the 12VSB remains always on. The OTP circuit must have built in margin such that the power supply will not oscillate on and off due to temperature recovering condition. The OTP trip level shall have a minimum of 4°C of ambient temperature margin.

Power Supply Status LED

There is a single bi-color LED to indicate power supply status. The LED operation is defined in the following table.

Table 21. LED Indicators

Power Supply Condition	LED State
Output ON and OK	GREEN
No AC power to all power supplies	OFF
AC present / Only 12VSB on (PS off) or PS in Cold redundant state	1Hz Blink GREEN
AC cord unplugged or AC power lost; with a second power supply in parallel still with AC input power.	AMBER
Power supply warning events where the power supply continues to operate; high temp, high power, high current, slow fan.	1Hz Blink Amber
Power supply critical event causing a shutdown; failure, OCP, OVP, Fan Fail	AMBER
Power supply FW updating	2Hz Blink GREEN

3.4 DC Power Supply Input Specifications

The following sections provide the DC Input Specifications for systems configured with DC power supply modules.

NOTE: Product Safety Regulations pertaining to the use of DC power supplies require that chassis grounding studs be used for all DC power supply configurations. In the event that chassis grounding studs are not available on a given server chassis, systems must be configured with two DC power supplies, with each connected to separate ground wires while the system is operational.

DC Input Voltage

The power supply must operate within all specified limits over the following input voltage range.

Table 22. DC Input Rating

PARAMETER	MIN	RATED	MAX
DC Voltage	-40.5 VDC	-48VDC/-60VDC	-75VDC
Input Current	24A		12.5A

DC Input Fuse

The power supply shall have the -48VDC input fused. The fusing shall be acceptable for all safety agency requirements. DC inrush current shall not cause the fuse to blow under any conditions. No protection circuits in the power supply shall cause the DC fuse to blow unless a component in the power supply has failed. This includes DC output load short conditions.

DC Inrush Current

Maximum inrush current from power-on shall be limited to a level below the surge rating of the input line cable; input diodes, fuse, and EMI filter components. To allow multiple power cycling events and DC line transient conditions max I²t value shall not exceed 20% of the fuse max rating. Repetitive ON/OFF cycling of the DC input line voltage should not damage the power supply or cause the input fuse to blow.

DC Input Under Voltage

The power supply shall contain protection circuitry (under-voltage lock-out) such that the application of an input voltage below the specified minimum specified, shall not cause damage (overstress) to the power supply unit (due to over-heating or otherwise).

DC Holdup Time and Dropout

Loading	Holdup time
750W (100%)	0.2msec

During a DC dropout of **0.2ms** or less the power supply must meet dynamic voltage regulation requirements for every rated load condition. A DC line dropout of 0.2ms or less shall not cause tripping of control signals or protection circuits. Repeated every **10 seconds** starting at the min input voltage DC line dropout shall not damage the power supply under any specified load conditions. The PWOK signal shall not go to a low state under these conditions. DC dropout transients in excess of 0.2 **milliseconds** may cause shutdown of the PS or out of regulation conditions, but shall not damage the power supply. The power supply should recover and meet all turn on requirements for DC dropouts that last longer than **0.2ms**. The power supply must meet the DC dropout requirement over rated DC voltages and output loading conditions.

DC Line Surge Voltages (Line Transients)

The Power Supply should demonstrate tolerance for transients in the input DC power line caused by switching or lightning. The power supply shall be primarily tested and must be compliant with the requirements of EN61000-4-5: “Electrical Fast transients / Burst Requirements and Surge Immunity Requirements” for surge withstand capability. The test voltage surge levels are to be: **500Vpk for each Line to Primary Earth Ground test (none required between the L1 and L2)**. The exact description can be found in Intel Environmental Standards Handbook 2001.

Table 23. Line Voltage Transient Limits

Duration	Slope/Rate	Output	Performance criteria
200µs max	-48V → -30V w/ +2V/µs	Rated DC Voltages	No loss of function or performance
	-30V → -48V w/ -2V/µs	Rated DC Voltages	No loss of function or performance

Susceptibility Requirements

The power supply shall meet the following electrical immunity requirements when connected to a cage with an external EMI filter which meets the criteria defined in the SSI document EPS Power Supply Specification. For further information on Intel standards please request a copy of the Intel Environmental Standards Handbook.

Level	Description
A	The apparatus shall continue to operate as intended. No degradation of performance.
B	The apparatus shall continue to operate as intended. No degradation of performance beyond spec limits.
C	Temporary loss of function is allowed provided the function is self-recoverable or can be restored by the operation of the controls.

Electrostatic Discharge Susceptibility

The power supply shall comply with the limits defined in EN 55024: 1998 using the IEC 61000-4-2:1995 test standard and performance criteria B defined in Annex B of CISPR 24. Limits shall comply with those specified in the Intel Environmental Standards Handbook.

Fast Transient/Burst

The power supply shall comply with the limits defined in EN55024: 1998 using the IEC 61000-4-4:1995 test standard and performance criteria B defined in Annex B of CISPR 24. . Limits shall comply with those specified in the Intel Environmental Standards Handbook.

Radiated Immunity

The power supply shall comply with the limits defined in EN55024: 1998 using the IEC 61000-4-3:1995 test standard and performance criteria A defined in Annex B of CISPR 24. . Limits shall comply with those specified in the Intel Environmental Standards Handbook. Additionally, must also comply with field strength requirements specified in GR 1089 (10V/meter).

Surge Immunity

The power supply shall be tested with the system for immunity, per EN 55024:1998, EN 61000-4-5:1995 and ANSI C62.45: 1992.

The pass criteria include: No unsafe operation is allowed under any condition; All power supply output voltage levels to stay within proper spec levels; No change in operating state or loss of data during and after the test profile; No component damage under any condition.

The power supply shall comply with the limits defined in EN55024: 1998 using the IEC 61000-4-5:1995 test standard and performance criteria B defined in Annex B of CISPR 24. Limits shall comply with those specified in the Intel Environmental Standards Handbook.

Protection Circuits

Protection circuits inside the power supply shall cause only the power supply's main outputs to shutdown. If the power supply latches off due to a protection circuit tripping, an DC cycle OFF for 15sec and a PSON# cycle HIGH for 1sec shall be able to reset the power supply.

Current Limit (OCP)

The power supply shall have current limit to prevent the outputs from exceeding the values shown in table below. If the current limits are exceeded the power supply shall shutdown and latch off. The latch will be cleared by toggling the PSON# signal or by an DC power interruption. The power supply shall not be damaged from repeated power cycling in this condition. 12VSB will be auto-recovered after removing OCP limit.

Table 24. Over Current Protection

Output VOLTAGE	Input voltage range	OVER CURRENT LIMITS
+12V		72A min; 78A max
12VSB		2.5A min; 3.5A max

Over Voltage Protection (OVP)

The power supply over voltage protection shall be locally sensed. The power supply shall shutdown and latch off after an over voltage condition occurs. This latch shall be cleared by toggling the PSON# signal or by a DC power interruption. The values are measured at the output of the power supply's connectors. The voltage shall never exceed the maximum levels when measured at the power connectors of the power supply connector during any single point of fail. The voltage shall never trip any lower than the minimum levels when measured at the power connector. 12VSB will be auto-recovered after removing OVP limit.

Table 25. Over Voltage Protection Limits

Output Voltage	MIN (V)	MAX (V)
+12V	13.3	14.5
+12VSB	13.3	14.5

Over Temperature Protection (OTP)

The power supply will be protected against over temperature conditions caused by loss of fan cooling or excessive ambient temperature. In an OTP condition the PSU will shutdown. When the power supply

temperature drops to within specified limits, the power supply shall restore power automatically, while the 12VSB remains always on. The OTP circuit must have built in margin such that the power supply will not oscillate on and off due to temperature recovering condition. The OTP trip level shall have a minimum of 4 \square C of ambient temperature margin.

3.5 Cold Redundancy Support

The power supplies support cold redundancy allowing them to go into a low-power state (that is, cold redundant state) in order to provide increased power usage efficiency when system loads are such that both power supplies are not needed. When the power subsystem is in Cold Redundant mode, only the needed power supply to support the best power delivery efficiency is ON. Any additional power supplies; including the redundant power supply, is in Cold Standby state

Each power supply has an additional signal that is dedicated to supporting Cold Redundancy; CR_BUS. This signal is a common bus between all power supplies in the system. CR_BUS is asserted when there is a fault in any power supply OR the power supplies output voltage falls below the V_{fault} threshold. Asserting the CR_BUS signal causes all power supplies in Cold Standby state to power ON.

Enabling power supplies to maintain best efficiency is achieved by looking at the Load Share bus voltage and comparing it to a programmed voltage level via a PMBus command.

Whenever there is no active power supply on the Cold Redundancy bus driving a HIGH level on the bus all power supplies are ON no matter their defined Cold Redundant roll (active or Cold Standby). This guarantees that incorrect programming of the Cold Redundancy states of the power supply will never cause the power subsystem to shut down or become over loaded. The default state of the power subsystem is all power supplies ON. There needs to be at least one power supply in Cold Redundant Active state or Standard Redundant state to allow the Cold Standby state power supplies to go into Cold Standby state.

Powering on Cold Standby supplies to maintain best efficiency

Power supplies in Cold Standby state shall monitor the shared voltage level of the load share signal to sense when it needs to power on. Depending upon which position (1, 2, or 3) the system defines that power supply to be in the cold standby configuration; will slightly change the load share threshold that the power supply shall power on at.

Table 26. Example Load Share Threshold for Activating Supplies

	Enable Threshold for V _{CR_ON_EN}	Disable Threshold for V _{CR_ON_DIS}	CR_BUS De-asserted / Asserted States
Standard Redundancy	NA; Ignore dc/dc_active# signal; power supply is always ON		OK = High Fault = Low
Cold Redundant Active	NA; Ignore dc/dc_active# signal; power supply is always ON		OK = High Fault = Low
Cold Standby 1 (02h)	3.2V (40% of max)	$3.2V \times 0.5 \times 0.9 = 1.44V$	OK = Open Fault = Low
Cold Standby 2 (03h)	5.0V (62% of max)	$5.0V \times 0.67 \times 0.9 = 3.01V$	OK = Open Fault = Low
Cold Standby 3 (04h)	6.7V (84% of max)	$6.7V \times 0.75 \times 0.9 = 4.52V$	OK = Open Fault = Low

Notes:

Maximum load share voltage = 8.0V at 100% of rated output power

These are example load share bus thresholds; for a given power supply, these shall be customized to maintain the best efficiency curve for that specific model.

Powering on Cold Standby supplies during a fault or over current condition

When an active power supply asserts its CR_BUS signal (pulling it low), all parallel power supplies in cold standby mode shall power on within 100µsec

BMC Requirements

The BMC uses the Cold_Redundancy_Config command to define/configure the power supply's role in cold redundancy and to turn on/off cold redundancy.

The BMC shall schedule a rolling change for which PSU is the Active, Cold Stby1, Cold Stby 2, and Cold Stby 3 power supply. This allows for equal loading across power supplies over their life.

Events that trigger a re-configuration of the power supplies using the Cold_Redundancy_Config command.

- AC power ON
- PSON power ON
- Power Supply Failure
- Power supply inserted into system

Power Supply Turn On Function

Powering on and off of the cold standby power supplies is only controlled by each PSU sensing the Vshare bus. Once a power supply turns on after crossing the enable threshold; it lowers its threshold to the disable threshold. The system defines the 'position' of each power supply in the Cold Redundant operation. It will do this each time the system is powered on, a power supply fails, or a power supply is added to the system.

The system is relied upon to tell each power supply where it resides in the Cold Redundancy scheme.

3.6 Closed Loop System Throttling (CLST)

The server system has support for Closed Loop System Throttling (CLST). CLST prevents the system from crashing if a power supply module is overloaded or over heats. Should system power reach a pre-programmed power limit, CLST will throttle system memory and/or processors to reduce power. System performance will be impacted should this occur.

3.7 Smart Ride Through (SmaRT)

The server system has support for Smart Ride through Throttling (SmaRT). This feature increases the reliability for a system operating in a heavy power load condition, to remain operational during an AC line dropout event. See section 3.3.4 for power supply hold up time requirements for AC Line dropout events.

When AC voltage is too low, a fast AC loss detection circuit inside each installed power supply asserts an SMBALERT# signal to initiate a throttle condition in the system. System throttling reduces the bandwidth to both system memory and CPUs, which in turn reduces the power load during the AC line drop out event

3.8 Server Board Power Connectors

The server board provides several connectors to provide power to various system options. The following sub-sections will provide the pin-out definition; and a brief usage description for each.

Power Supply Module Card Edge Connector

Each power supply module has a single 2x25 card edge output connection that plugs directly into a matching slot connector on the server board. The connector provides both power and communication signals to the server board. The following table defines the connector pin-out.

Table 27. Power Supply Module Output Power Connector Pin-out

Pin	Name	Pin	Name
A1	GND	B1	GND
A2	GND	B2	GND
A3	GND	B3	GND
A4	GND	B4	GND
A5	GND	B5	GND
A6	GND	B6	GND
A7	GND	B7	GND
A8	GND	B8	GND
A9	GND	B9	GND
A10	+12V	B10	+12V
A11	+12V	B11	+12V
A12	+12V	B12	+12V
A13	+12V	B13	+12V
A14	+12V	B14	+12V
A15	+12V	B15	+12V
A16	+12V	B16	+12V
A17	+12V	B17	+12V
A18	+12V	B18	+12V
A19	PMBus SDA	B19	A0 (SMBus address)
A20	PMBus SCL	B20	A1 (SMBus address)
A21	PSON	B21	12V stby
A22	SMBAlert#	B22	Cold Redundancy Bus
A23	Return Sense	B23	12V load share bus
A24	+12V remote Sense	B24	No Connect
A25	PWOK	B25	Compatibility Check pin*

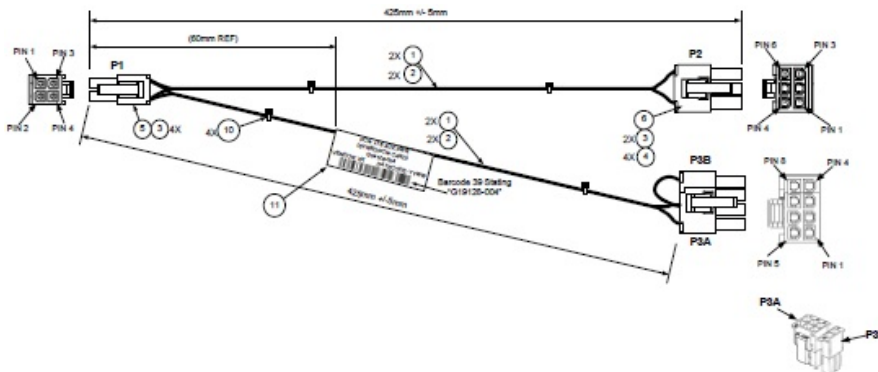
Optional 12V Power Connectors for High Power Add-in Cards

The server board includes two white 2x2-pin power connectors that provide supplemental power to high power PCIe x16 add-in cards (Intel® Xeon Phi™ or non-Intel GPGPU) that have power requirements that exceed the 75W maximum power supplied by the PCIe x16 riser slot. A cable from this connector may be routed to a power connector on the given add-in card. Maximum power draw for each connector is 225W, but is also limited by available power provided by the power supply and the total power draw of the rest of the system. A power budget for the complete system should be performed to determine how much supplemental power is available to support any high power add-in cards configured in the system.

Each connector is labeled as “OPT_12V_PWR” on the server board. The following table provides the pin-out for both connectors.

Table 28. Riser Slot Power Pin-out (“OPT_12V_PWR_#”)

Signal Description	Pin#	Pin#	Signal Description
P12V	3	1	GROUND
P12V	4	2	GROUND



The power cable (as shown above) for the OPT_12V_PWR connectors is included in the 2-slot Riser Card accessory kit (Intel Product Code - A2UL16RISER2) and can support both 6 and 8 pin 12V AUX power connectors found on high power add-in cards.

Hot Swap Backplane Power Connector

The server board includes one white 2x4-pin power connector that is used to provide power for the hot swap backplanes mounted in the front of the chassis only. On the server board, this connector is labeled as “HSBP PWR”. The power for this connector is routed from two separate 12V power rails, each capable of supporting a current limit of 18A. The following table provides the pin-out for this connector.

Table 29. Hot Swap Backplane Power Connector Pin-out (“HSBP PWR”)

Signal Description	Pin#	Pin#	Signal Description
P12V_240VA	5	1	GROUND
P12V_240VA	6	2	GROUND
P12V_240VA	7	3	GROUND
P12V_240VA	8	4	GROUND

Peripheral Power Connector

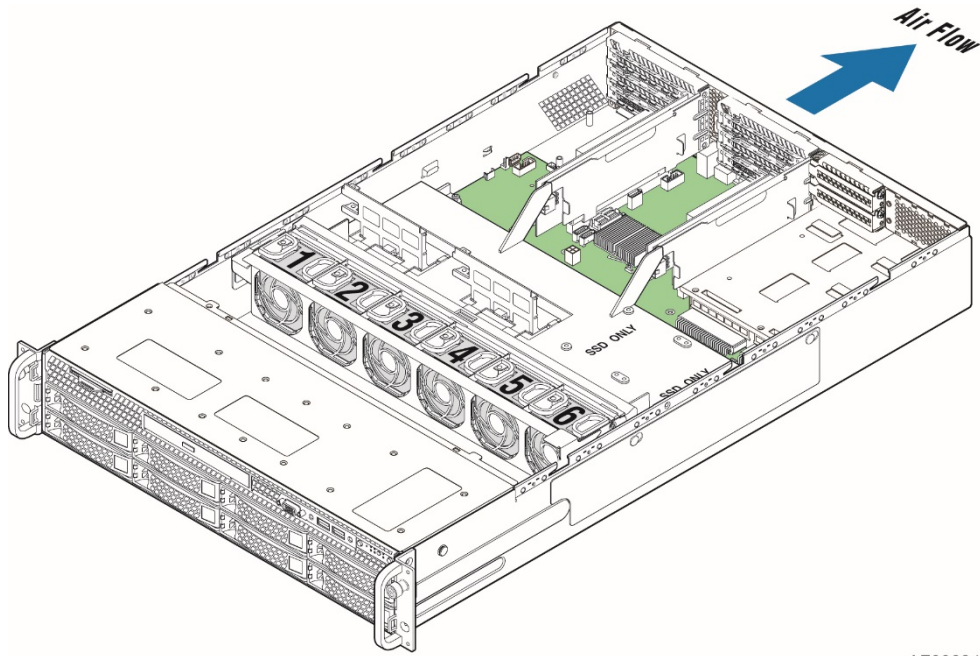
The server board includes one brown 2x3-pin power connector intended to provide power to various possible peripheral options including: a SATA optical drive, and Solid State Devices (SSDs) mounted to the top side of the air duct or to the rear mounted 2 drive backplane accessory option. On the server board this connector is labeled as “Peripheral PWR”. The following table provides the pin-out for this connector.

Table 30. Peripheral Drive Power Connector Pin-out (“Peripheral PWR”)

Signal Description	Pin#	Pin#	Signal Description
P12V	4	1	P5V
P3V3	5	2	P5V
GROUND	6	3	GROUND

4. Thermal Management

The fully integrated system is designed to operate at external ambient temperatures of between 10°C- 35°C with limited excursion based operation up to 45°C, as specified in *Table 2. System Environmental Limits Summary*. Working with integrated platform management, several features within the system are designed to move air in a front to back direction, through the system and over critical components to prevent them from overheating and allow the system to operate with best performance.



AF006245

Figure 30. System Air Flow and Fan Identification

The following tables provide air flow data associated with the different system models within this 2U product family, and are provided for reference purposes only. The data was derived from actual wind tunnel test methods and measurements using fully configured (worst case) system configurations. Lesser system configurations may produce slightly different data results. In addition, the CFM data provided using server management utilities that utilize platform sensor data, may vary slightly from the data listed in the tables. NOTE: For system BTU data, see the *Intel® Server Board S2600WT product family Power Budget and Thermal Configuration Tool*.

Table 31. System Volumetric Air Flow - Intel® Server System R2308WT...

System airflow – R2308WT.... w/Intel® Xeon Phi™ (Active)			System airflow – R2308WT.... w/Intel® Xeon Phi™ (Passive)		
System Fan	PSU Fan	Total Airflow (CFM)	System Fan	PSU Fan	Total Airflow (CFM)
100%	auto	128.8	100%	auto	157.9
80%	auto	101.9	80%	auto	124.4
60%	auto	72.9	60%	auto	91.4
40%	auto	44.9	40%	auto	57.4
20%	auto	18.7	20%	auto	25.0
100%	100%	132.0	100%	100%	161.0

Table 32. System Volumetric Air Flow – Intel® Server System R2208WT....

System airflow – R2208WT.... w/Intel® Xeon Phi™ (Active)			System airflow – R2208WT.... w/Intel® Xeon Phi™ (Passive)		
System Fan	PSU Fan	Total Airflow (CFM)	System Fan	PSU Fan	Total Airflow (CFM)
100%	auto	133.1	100%	auto	176.0
80%	auto	111.8	80%	auto	140.7
60%	auto	80.5	60%	auto	102.7
40%	auto	49.7	40%	auto	64.2
20%	auto	22.4	20%	auto	26.3

Table 33. System Volumetric Air Flow – Intel® Server System R2216WT....

System airflow – R2216WT.... w/Intel® Xeon Phi™ (Active)			System airflow – R2216WT.... w/Intel® Xeon Phi™ (Passive)		
System Fan	PSU Fan	Total Airflow (CFM)	System Fan	PSU Fan	Total Airflow (CFM)
100%	auto	114.2	100%	auto	151.3
80%	auto	90.6	80%	auto	124.0
60%	auto	65.3	60%	auto	91.9
40%	auto	40.4	40%	auto	58.8
20%	auto	20.4	20%	auto	27.5
100%	100%	121.2	100%	100%	156.1

Table 34. System Volumetric Air Flow – Intel® Server System R2312WT.... & R2224WT....

System airflow – R2312WT....			System airflow – R2224WT....		
System Fan	PSU Fan	Total Airflow (CFM)	System Fan	PSU Fan	Total Airflow (CFM)
100%	auto	66.0	100%	auto	88.2
80%	auto	51.7	80%	auto	69.1
60%	auto	36.9	60%	auto	49.1
40%	auto	21.5	40%	auto	30.0
20%	auto	7.6	20%	auto	12.3
100%	100%	69.5	100%	100%	91.8

Note - Intel® Xeon Phi™ not supported in Intel® Server Systems R2312WT.... & R2224WT....

The Intel® Server System R2000WT product family supports short-term, excursion-based, operation up to 45°C (ASHRAE A4) with limited performance impact. The configuration requirements and limitations are described in the configuration matrix found in Appendix D of this document or in the *Intel® S2600WT Product Family Power Budget and Thermal Configuration Tool*, to be available as a download online at <http://www.intel.com/support>.

The installation and functionality of several system components are used to maintain system thermals. They include six managed 60mm system fans, fans integrated into each installed power supply module, an air duct, populated drive carriers, and installed CPU heatsinks. Drive carriers can be populated with a storage device (SSD or Hard Disk Drive) or supplied drive blank. In addition, it may be necessary to have specific

DIMM slots populated with DIMMs or supplied DIMM blanks. System configurations that require population of specific DIMM slots will ship from Intel with DIMM blanks pre-installed. Pre-installed DIMM blanks should only be removed when installing a memory module in its place. Chassis only products will include DIMM blanks separately in the accessory kit and must be installed in the appropriate DIMM slot locations as defined in the following section.

4.1 Thermal Operation and Configuration Requirements

To keep the system operating within supported maximum thermal limits, the system must meet the following operating and configuration guidelines:

- The system is designed for sustained operation with an external ambient temperature of up to 35°C (ASHRAE Class A2) with short term excursion based operation up to 45°C (ASHRAE Class A4).
 - The system can operate at an external ambient temperature of 40°C (ASHRAE Class A3) for up to 900 hours per year
 - The system can operate at an external ambient temperature of 45°C (ASHRAE Class A4) for up to 90 hours per year
 - System performance may be impacted when operating at external ambient air temperatures above 35°C
 - There is no long term system reliability impact when operating the system at the extended temperature range within the specified limits.
- Specific configuration requirements and limitations are documented in the configuration matrix found in Appendix D of this document or in the *Intel® Server Board S2600WT product family Power Budget and Thermal Configuration Tool*, available as a download online at <http://www.intel.com/support>.
- The CPU-1 processor + CPU heat sink must be installed first. The CPU-2 heat sink must be installed at all times, with or without a processor installed.
- **Memory Slot population requirements –**
- NOTE: Some system configurations may come with pre-installed DIMM blanks. DIMM blanks should only be removed when installing a DIMM in the same DIMM slot. Memory population rules apply when installing DIMMs.
 - **DIMM Population Rules on CPU-1** – Install DIMMs in order; Channels A, B, C, and D. Start with the 1st DIMM (Blue Slot) on each channel, then slot 2, then slot 3. Only remove factory installed DIMM blanks when populating the slot with memory.
 - **DIMM Population on CPU-2** – Install DIMMs in order; Channels E, F, G, and H. Start with the 1st DIMM (Blue Slot) on each channel, then slot 2, then slot 3. Only remove factory installed DIMM blanks when populating the slot with memory.
 - The following system configurations require that specific memory slots be populated at all times using either a DIMM or supplied DIMM Blank
 - ❖ **System Configuration** – 24 x 2.5" front drive bay or 12 x 3.5" front drive bay configuration
 - Memory slots 2 and 3 populated on all memory channels
 - ❖ **System Configuration** – 16 x 2.5" front drive bay or 8 x 3.5" front drive bay configuration
 - Memory slot 3 populated on all memory channels
 - ❖ **System Configuration** – 8 x 2.5" front drive bay configuration
 - DIMM blanks not required
- All externally accessed drive bays must be populated. Drive carriers can be populated with a storage device (SSD or HDD) or supplied drive blank.
- With the system operating, the air duct must be installed at all times
- In single power supply configurations, the 2nd power supply bay must have the supplied filler blank installed at all times.

- Some system configurations require that dual power supplies be installed for the system to support fan redundancy. See Appendix D for supported thermal configuration data.
- System fan redundancy is not supported with systems operating at ASHRAE A3 or A4 thermal limits
- Thermally, a system supporting fan redundancy can support the following PCI add-in cards when the system is operating at a maximum external ambient temperature of 35°C (ASHRAE Class 2).
 - ❖ **System Configuration – Storage Models - 24 x 2.5" / 12 x 3.5" front drive bay configurations**
 - Add-in cards with a minimum 100 LFM (0.5 m/s) air flow requirement can be installed in any available add-in card slot in Riser Card #1, Riser Card #2, and Riser Card #3
 - Add-in cards with a minimum 200 LFM (1 m/s) air flow requirement can be installed in any available add-in card slot on Riser Card #2 and the bottom add-in card slot on Riser Card #1. Middle and Top add-in card slots on Riser Card #1 cannot support PCI add-in cards with air flow requirements greater than 100 LFM.
 - Add-in cards with an air flow requirement greater than 200 LFM cannot be supported in any PCIe* slot on any riser
 - ❖ **System Configuration – 8 x 2.5" / 16 x 2.5" / 8 x 3.5" front drive bay configurations**
 - Add-in cards with a minimum 200 LFM (1 m/s) air flow requirement can be installed in any available add-in card slot on Riser Card #1, Riser Card #2, and Riser Card #3
 - Add-in cards with a minimum 300 LFM (1.5 m/s) air flow requirement can be installed into the bottom PCIe* slot on Riser Card #1 and Riser Card #2
 - Add-in cards with an air flow requirement greater than 300 LFM **cannot** be supported in any PCIe slot on any riser
 - ❖ **System Configuration – 8 x 2.5" / 16 x 2.5" / 8 x 3.5" front drive bay configurations with Passive Intel® Xeon Phi™ co-processor card(s) or other passively cooled non-Intel high power (>75W) add-in card(s) installed**
 - System **MUST** have the following Intel Accessory kits installed – **AWTCOPRODUCT** and **A2UL16RISER2**. See *chapter 5* for additional details.
- **Note:** Most PCI add-in cards have minimum air flow requirements of 100 LFM (0.5m/s). Some high power add-in cards have minimum air flow requirements of 300 LFM (1.5 m/s) or higher. System integrators should verify PCI add-in card air flow requirements from vendor specifications when integrating add-in cards into the system.
- The system top-cover must be installed at all times when the system is in operation. The only exception to this requirement is to hot replace a failed system fan, in which case the top cover can be removed for no more than 3 minutes at a time

4.2 Thermal Management Overview

In order to maintain the necessary airflow within the system, all of the previously listed components and top cover need to be properly installed. For best system performance, the external ambient temperature should remain below 35°C and all system fans should be operational. System fan redundancy can be supported for system configurations that meet the necessary fan redundancy support limits identified in Appendix D.

For system configurations that support fan redundancy, should a single fan failure occur (System fan or Power Supply Fan), integrated platform management will: change the state of the System Status LED to flashing Green, report an error to the system event log, and automatically adjust fan speeds as needed to maintain system temperatures below maximum thermal limits.

Note: All system fans are controlled independent of each other. The fan control system may adjust fan speeds for different fans based on increasing/decreasing temperatures in different thermal zones within the chassis.

In the event that system temperatures should continue to increase with the system fans operating at their maximum speed, platform management may begin to throttle bandwidth of either the memory subsystem or the processors or both, in order to keep components from overheating and keep the system operational. Throttling of these sub-systems will continue until system temperatures are reduced below preprogrammed limits.

The power supply will be protected against over temperature conditions caused by excessive ambient temperature. In an over-temperature protection condition, the power supply module will shut down.

Should system thermals increase to a point beyond the maximum thermal limits, the system will shut down, the System Status LED will change to a solid Amber state, and the event will be logged to the system event log. Should power supply thermals increase to a point beyond their maximum thermal limits or if a power supply fan should fail, the power supply will shut down.

Note: For proper system thermal management, Sensor Data Records (SDRs) for any given system configuration must be loaded by the system integrator as part of the initial system integration process. SDRs are loaded using the FRUSDR utility which is part of the System Update Package (SUP) or One-boot Firmware Update (OFU) package which can be downloaded from the following Intel website:

<http://downloadcenter.intel.com>

Fan Speed Control

The BMC controls and monitors the system fans. Each fan is associated with a fan speed sensor that detects fan failure and may also be associated with a fan presence sensor for hot-swap support. For redundant fan configurations, the fan failure and presence status determines the fan redundancy sensor state.

The system fans are divided into fan domains, each of which has a separate fan speed control signal and a separate configurable fan control policy. A fan domain can have a set of temperature and fan sensors associated with it. These are used to determine the current fan domain state.

A fan domain has three states:

- The sleep and boost states have fixed (but configurable through OEM SDRs) fan speeds associated with them.
- The nominal state has a variable speed determined by the fan domain policy. An OEM SDR record is used to configure the fan domain policy.

The fan domain state is controlled by several factors. They are listed below in order of precedence, high to low:

- Boost
 - Associated fan is in a critical state or missing. The SDR describes which fan domains are boosted in response to a fan failure or removal in each domain. If a fan is removed when the system is in 'Fans-off' mode it will not be detected and there will not be any fan boost till system comes out of 'Fans-off; mode.

- Any associated temperature sensor is in a critical state. The SDR describes which temperature threshold violations cause fan boost for each fan domain.
- The BMC is in firmware update mode, or the operational firmware is corrupted.
- If any of the above conditions apply, the fans are set to a fixed boost state speed.
- Nominal
 - A fan domain's nominal fan speed can be configured as static (fixed value) or controlled by the state of one or more associated temperature sensors.

Programmable Fan PWM Offset

The system provides a BIOS Setup option to boost the system fan speed by a programmable positive offset or a “Max” setting. Setting the programmable offset causes the BMC to add the offset to the fan speeds to which it would otherwise be driving the fans. The Max setting causes the BMC to replace the domain minimum speed with alternate domain minimums that also are programmable through SDRs.

This capability is offered to provide system administrators the option to manually configure fan speeds in instances where the fan speed optimized for a given platform may not be sufficient when a high end add-in adapter is configured into the system. This enables easier usage of the fan speed control to support Intel as well as third party chassis and better support of ambient temperatures higher than 35°C.

Hot-Swap Fans

Hot-swap fans are supported. These fans can be removed and replaced while the system is powered on and operating. The BMC implements fan presence sensors for each hot-swappable fan.

When a fan is not present, the associated fan speed sensor is put into the *reading/unavailable* state, and any associated fan domains are put into the boost state. The fans may already be boosted due to a previous fan failure or fan removal.

When a removed fan is inserted, the associated fan speed sensor is rearmed. If there are no other critical conditions causing a fan boost condition, the fan speed returns to the nominal state. Power cycling or resetting the system re-arms the fan speed sensors and clears fan failure conditions. If the failure condition is still present, the boost state returns once the sensor has re-initialized and the threshold violation is detected again.

Fan Redundancy Detection

The BMC supports redundant fan monitoring and implements a fan redundancy sensor. A fan redundancy sensor generates events when it is associated set of fans transitions between redundant and non-redundant states, as determined by the number and health of the fans. The definition of fan redundancy is configuration dependent. The BMC allows redundancy to be configured on a per fan redundancy sensor basis through OEM SDR records.

A fan failure or removal of hot-swap fans up to the number of redundant fans specified in the SDR in a fan configuration is a non-critical failure and is reflected in the front panel status. A fan failure or removal that exceeds the number of redundant fans is a non-fatal, insufficient-resources condition and is reflected in the front panel status as a non-fatal error.

Redundancy is checked only when the system is in the DC-on state. Fan redundancy changes that occur when the system is DC-off or when AC is removed will not be logged until the system is turned on.

Fan Domains

System fan speeds are controlled through pulse width modulation (PWM) signals, which are driven separately for each domain by integrated PWM hardware. Fan speed is changed by adjusting the duty cycle, which is the percentage of time the signal is driven high in each pulse.

The BMC controls the average duty cycle of each PWM signal through direct manipulation of the integrated PWM control registers.

The same device may drive multiple PWM signals.

Nominal Fan Speed

A fan domain's nominal fan speed can be configured as static (fixed value) or controlled by the state of one or more associated temperature sensors.

OEM SDR records are used to configure which temperature sensors are associated with which fan control domains and the algorithmic relationship between the temperature and fan speed. Multiple OEM SDRs can reference or control the same fan control domain; and multiple OEM SDRs can reference the same temperature sensors.

The PWM duty-cycle value for a domain is computed as a percentage using one or more instances of a stepwise linear algorithm and a clamp algorithm. The transition from one computed nominal fan speed (PWM value) to another is ramped over time to minimize audible transitions. The ramp rate is configurable by means of the OEM SDR.

Multiple stepwise linear and clamp controls can be defined for each fan domain and used simultaneously. For each domain, the BMC uses the maximum of the domain's stepwise linear control contributions and the sum of the domain's clamp control contributions to compute the domain's PWM value, except that a stepwise linear instance can be configured to provide the domain maximum.

Hysteresis can be specified to minimize fan speed oscillation and to smooth fan speed transitions. If a Tcontrol SDR record does not contain a hysteresis definition, for example, an SDR adhering to a legacy format, the BMC assumes a hysteresis value of zero.

Thermal and Acoustic Management

This feature refers to enhanced fan management to keep the system optimally cooled while reducing the amount of noise generated by the system fans. Aggressive acoustics standards might require a trade-off between fan speed and system performance parameters that contribute to the cooling requirements, primarily memory bandwidth. The BIOS, BMC, and SDRs work together to provide control over how this trade-off is determined.

This capability requires the BMC to access temperature sensors on the individual memory DIMMs. Additionally, closed-loop thermal throttling is only supported with buffered DIMMs.

Thermal Sensor Input to Fan Speed Control

The BMC uses various IPMI sensors as input to the fan speed control. Some of the sensors are IPMI models of actual physical sensors whereas some are “virtual” sensors whose values are derived from physical sensors using calculations and/or tabular information.

The following IPMI thermal sensors are used as input to fan speed control:

- Front Panel Temperature Sensor¹
- CPU Margin Sensors^{2,4,5}
- DIMM Thermal Margin Sensors^{2,4}
- Exit Air Temperature Sensor^{1,7,9}
- PCH Temperature Sensor^{3,5}
- On-board Ethernet Controller Temperature Sensors^{3,5}
- Add-In Intel SAS Module Temperature Sensors^{3,5}
- PSU Thermal Sensor^{3,8}
- CPU VR Temperature Sensors^{3,6}
- DIMM VR Temperature Sensors^{3,6}
- BMC Temperature Sensor^{3,6}
- Global Aggregate Thermal Margin Sensors⁷
- Hot Swap Backplane Temperature Sensors
- I/O Module Temperature Sensor (With option installed)
- Intel® SAS Module (With option installed)
- Riser Card Temperature Sensors (2U systems only)
- Intel® Xeon Phi™ coprocessor (2U system only with option installed)

Notes:

1. For fan speed control in Intel chassis
2. Temperature margin from throttling threshold
3. Absolute temperature
4. PECL value or margin value
5. On-die sensor
6. On-board sensor
7. Virtual sensor
8. Available only when PSU has PMBus
9. Calculated estimate

A simple model is shown in the following figure which gives a high level representation of how the fan speed control structure creates the resulting fan speeds.

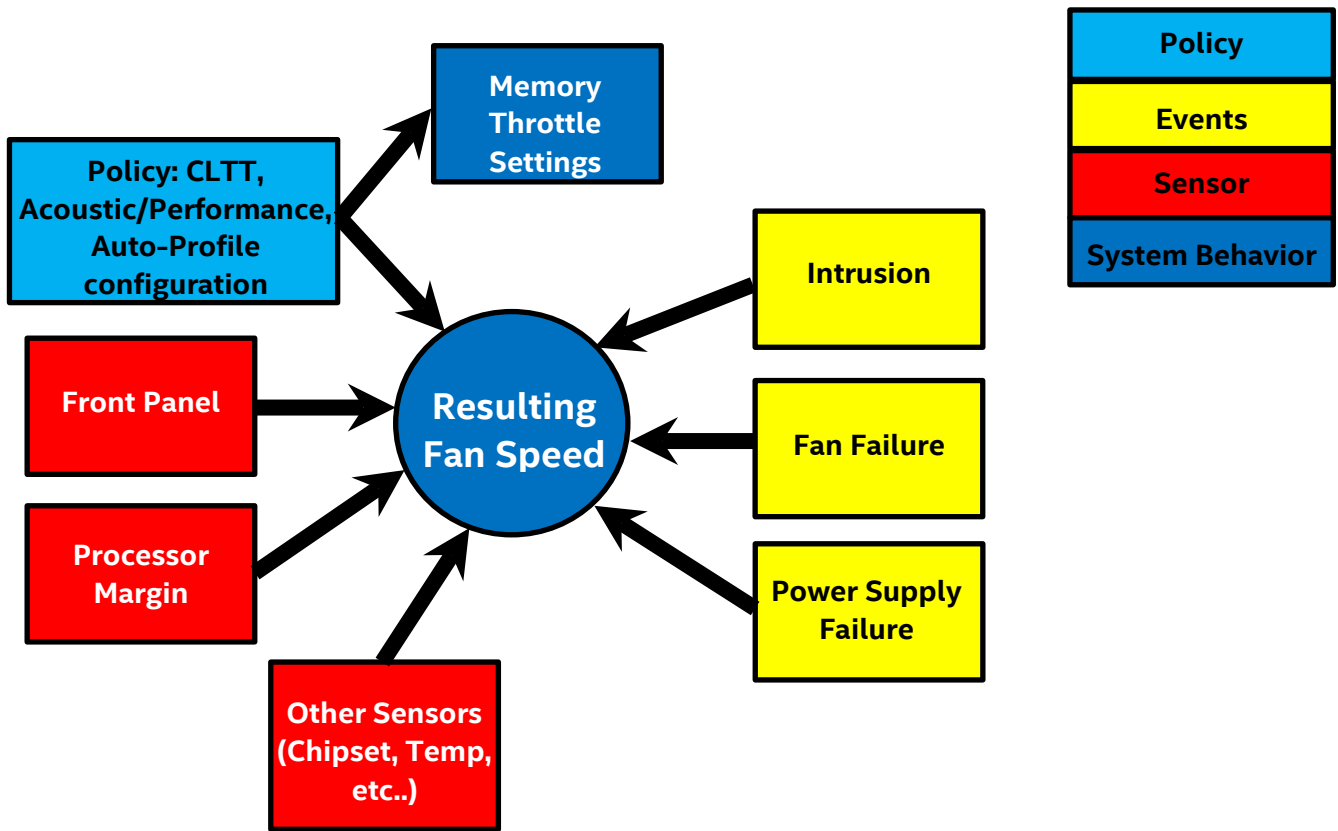


Figure 31. Fan Control Model

4.3 System Fans

Six 60x38-mm system fans and embedded fans for each installed power supply provide the primary airflow for the system.

The server board is capable of supporting up to a total of six system fans. On the server board, each system fan includes a pair of fan connectors; a 1x10 pin connector to support a dual rotor cabled fan, typically used in 1U system configurations, and a 2x3 pin connector to support a single rotor hot swap fan assembly, typically used in 2U system configurations. Concurrent use of both fan connector types for any given system fan pair is not supported.

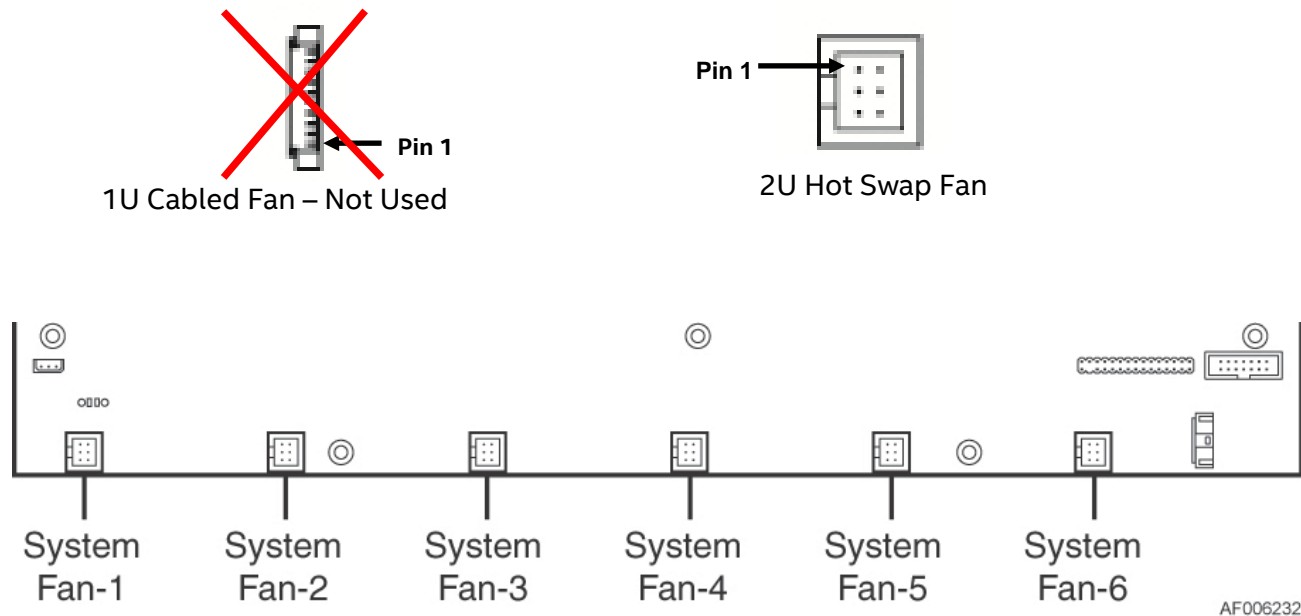


Figure 32. Server Board 2U System Fan Connector Locations

Table 35. System Fan Connector Pin-out

Hot Swap SYS_FAN # (1-6)			
Signal Description	Pin#	Pin#	Signal Description
GROUND	1	2	P12V FAN
FAN TACH	3	4	FAN PWM
SYS FAN PRSNT	5	6	LED FAN FAULT

The system fan assembly is designed for ease of use and supports several features.

- The entire fan assembly can be removed making it easier to service other features of the system
- Each individual fan is hot-swappable
- Each fan is blind mated to a matching 6-pin connector located on the server board
- Each fan is designed for tool-less insertion and extraction from the fan assembly
- Fan speed for each fan is controlled by integrated platform management. As system thermals fluctuate high and low, the integrated BMC firmware will increase and decrease the speeds to specific fans within the fan assembly to regulate system thermals
- Each fan has a tachometer signal that allows the integrated BMC to monitor its status
- On top of each fan is an integrated fault LED. Platform management illuminates the fault LED for the failed fan.

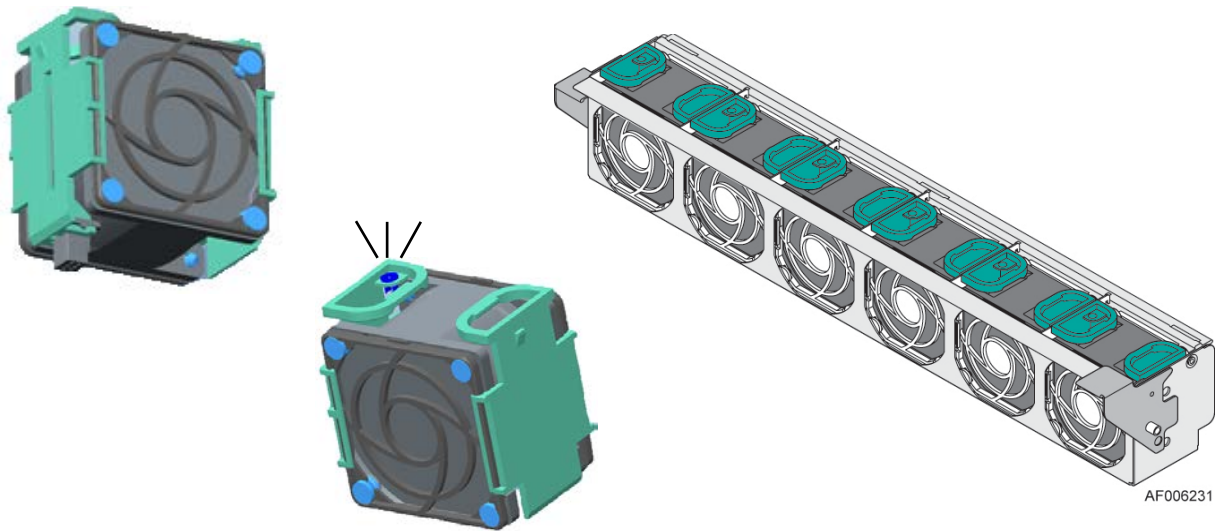


Figure 33. System Fan Assembly

4.4 Power Supply Module Fans

Each installed power supply module includes embedded (non-removable) 40-mm fans. They are responsible for airflow through the power supply module. These fans are managed by the fan control system. Should a fan fail, the power supply will shut down.

4.5 FRUSDR Utility

The purpose of the embedded platform management and fan control systems is to monitor and control various system features, and to maintain an efficient operating environment. Platform management is also used to communicate system health to supported platform management software and support mechanisms. The FRUSDR utility is used to program the server board with platform specific environmental limits, configuration data, and the appropriate sensor data records (SDRs), for use by these management features.

The FRUSDR utility must be run as part of the initial platform integration process before it is deployed into a live operating environment. Once the initial FRU and SDR data is loaded on to the system, all subsequent system configuration changes will automatically update SDR data using the BMC auto configuration feature, without having to run the FRUSDR utility again. However, to ensure the latest sensor data is installed, the SDR data should be updated to the latest available as part of a planned system software update.

The FRUSDR utility for the given server platform can be downloaded as part of the System Update Package (SUP) or One-boot Firmware Update (OFU) package which from the following Intel web site:

<http://downloadcenter.intel.com>.

Note: The embedded platform management system may not operate as expected if the platform is not updated with accurate system configuration data. The FRUSDR utility must be run with the system fully configured during the initial system integration process for accurate system monitoring and event reporting.

5. Intel® Xeon Phi™ Coprocessor and Non-Intel GPGPU Add-in Card Support

Some (not all) system configurations of the Intel® Server System R2000WT product family have thermal and mechanical support for Intel® Xeon Phi™ Coprocessor cards and non-Intel GPGPU add-in cards. Which card and system configurations can be supported is dependent on power and thermal limits of the system, and power and thermal requirements of the add-in card. This chapter will provide an overview of the system configuration criteria needed to support these high power cards.

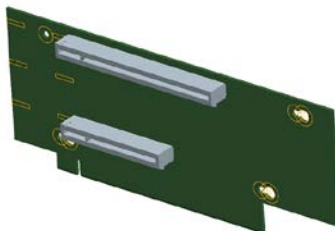
Disclaimer: Intel incorporates necessary features and conducts appropriate thermal testing of its server systems to ensure the thermal requirements of Intel® Xeon Phi™ coprocessor cards can be supported when the documented support criteria are met.

Intel can make support recommendations for non-Intel GPGPU cards listed on its Tested Hardware and Support List, based on the same support criteria. However, Intel cannot guarantee its server systems can meet the thermal requirements of these non-Intel high power add-in cards. System integrators should verify non-Intel GPGPU add-in card air flow and thermal requirements from vendor specifications before integrating them into the system. It is the responsibility of the system integrator to conduct appropriate system testing on server systems configured with a non-Intel GPGPU card to ensure reliable operation.

For non-Intel GPGPU cards listed on Intel's tested hardware and OS list, Intel will provide best internal support efforts to duplicate and understand reported issues. However, Intel cannot guarantee an issue will be root caused nor that a fix can be made available to correct it.

5.1 Support Criteria

- Due to air flow and thermal limitations, Intel® Xeon Phi™ coprocessor cards and non-Intel GPGPU cards can only be supported in the following base system SKUs: **R2308WTxxxx, R2208WTxxxx, and R2216WTxxxx**. See Appendix D at the end of this document for additional thermal configuration information.
- Each Intel® Xeon Phi™ coprocessor card and non-Intel GPGPU card must be installed into the top slot of a 2-Slot PCIe* Riser card. With a 2-slot riser card installed, the embedded fan speed control will operate system fans at a higher speed. 3-slot riser cards (as shipped in the standard platform configuration) cannot be used due to air flow and thermal limitations, as embedded fan speed control will not drive system fans to higher speeds needed to support the thermal requirements of these cards.



Slot #	Description	PCIe* Lane Routing Riser Slot #1	PCIe* Lane Routing Riser Slot #2
Slot-1 (Top)	PCIe x16 lanes, x16 slot	CPU1	CPU2
Slot-2 (Bottom)	PCIe x8 lanes, x8 slot	CPU2	CPU2

Figure 34. 2-Slot PCIe Riser Card

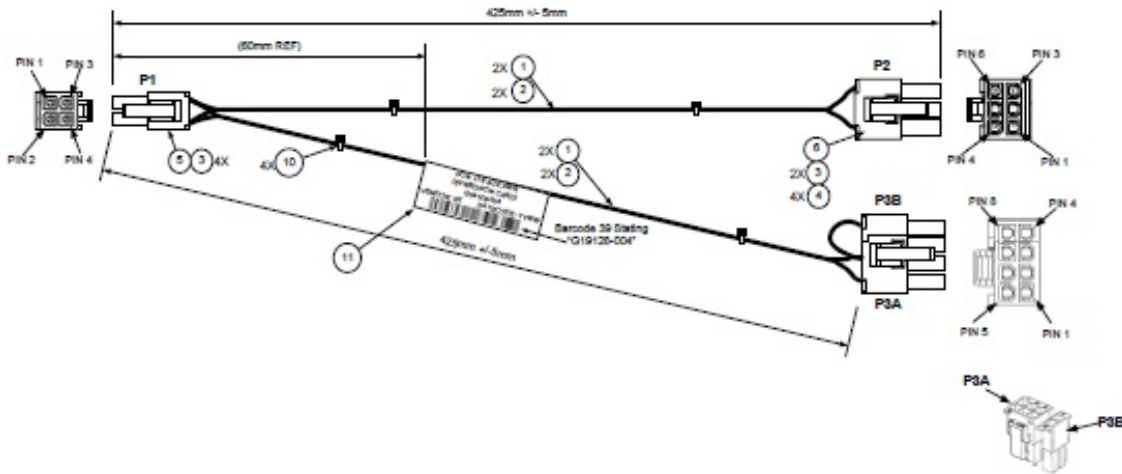


Figure 35. Auxiliary 12V Power Cable (iPC AXXGPGPUCABLE)

- Riser slots 1 and 2 are capable of supporting up to 100W maximum power each. Available power to each add-in card slot on a given riser card is defined by the PCIe* specification. Add-in cards with power requirements above 75W will require the additional power to be drawn from either of two 2x2 pin “OPT_12V_PWR” connectors on the server board. A 12V Aux power cable is routed from the “OPT_12V_PWR” on the server board to a 6 or 8 pin 12V AUX power connector located on the add-in cards.

NOTE: Both the 2-Slot PCIe Riser card and the 12V Auxiliary Power cable are included in Intel Accessory kit A2UL16RISER2

- Configuration Note:** An add-in card that requires additional 12V power and is installed in Riser Slot #1 must have its AUX 12V power connector located on the back edge of the card to avoid interference with the chassis side wall.
- High power add-in cards with **passive cooling** solutions (no fan on the heat sink) can **only** be supported in systems configured with the high air flow air duct included in Intel Accessory Kit **AWTCOPRODUCT**.

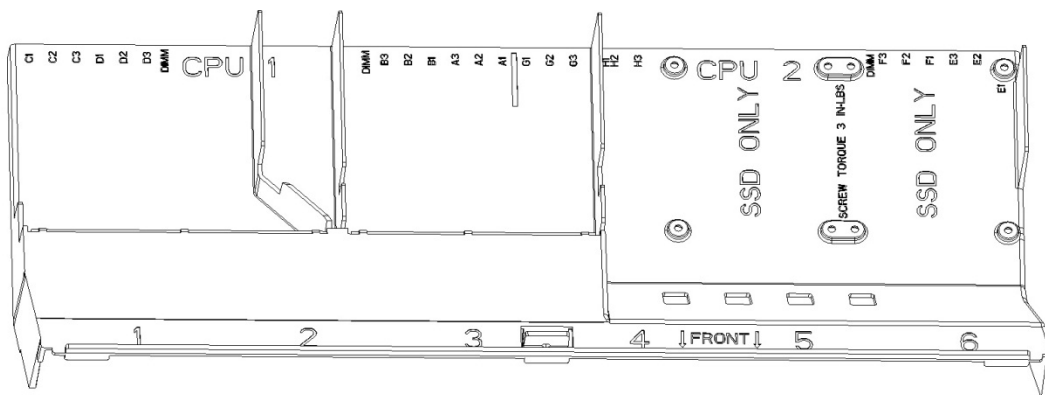


Figure 36. Air Duct included in Intel® Accessory Kit AWTCOPRODUCT

AWTCOPRODUCT Air Duct notes:

The high air flow air duct included in Intel Accessory Kit AWTCOPRODUCT includes two plastic knock-out panels to allow for additional air flow over a specific riser card area. A knock-out panel is only removed when installing a high power add-in card that meets the following criteria:

- Double wide
- Passive Heat Sink Solution (heat sink with no fan attached)

If the add-in card does NOT meet these criteria, the given knock-out panel should **NOT** be removed.

When installing a double wide add-in card with a passive heat sink solution, remove only the plastic knock-out from the side on which the add-in card is installed. Only remove both plastic knock outs when installing two cards that meet the criteria defined above (1 per riser card). Once a knock-out panel is removed, it cannot be re-installed.

- High power add-in cards with **active cooling** (heat sink with mounted fan), are only supported in system configurations installed with the standard shipping air duct (default). High power add-in cards with **active cooling** (heat sink with mounted fan), are NOT supported in systems configured with the high air flow air duct included in Intel Accessory kit **AWTCOPRODUCT**.
- A system configured with the contents of Intel Accessory Kit AWTCOPRODUCT and an Intel® Xeon Phi™ card can also support the following additional PCIe* add-in card configurations.
 - PCIe* add-in cards with minimum 100 LFM (0.5 m/s) or 200 LFM (1m/s) air flow requirement can be installed in any available add-in card slot in Riser Card #1, Riser Card #2, and Riser Card #3 (if installed)
 - PCIe* add-in cards with a minimum 300 LFM (1.5 m/s) air flow requirement can be installed in the bottom add-in card slot of Riser Card #1 and Riser Card #2.
 - PCIe* add-in cards with air flow requirement greater than 300 LFM cannot be supported
- Systems configured with an Intel® Xeon Phi™ card and/or non-Intel GPGPU card must have a shipping bracket installed before the system is exposed to any level of shock or vibration or is transported to the end user location. Failure to install the shipping bracket has the potential to cause serious damage to various components within the system. **The shipping bracket is only available as part of the following Intel Accessory Kit: AWTCOPRODUCT.**

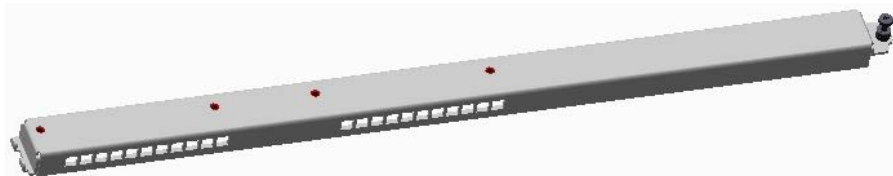


Figure 37. Shipping Bracket

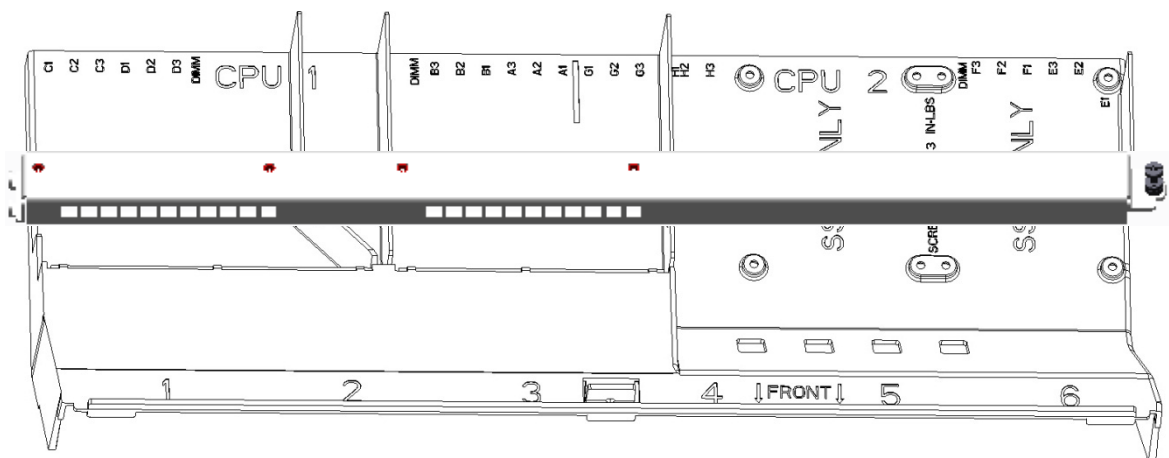


Figure 38. Shipping Bracket Placement

The shipping bracket can be used with both the standard air duct and the air duct included in Intel Accessory kit AWTCOPRODUCT

With no shipping bracket installed, the air duct has support for the addition of up to two SSD Storage devices mounted to the air duct via fastener screws. Mounting standard hard disk drives to the air duct is NOT a supported configuration. Mounting hard disk drives to the CPU air duct may cause data loss, performance degradation, and premature drive failures.

High power add-in cards that require up to 300W can be supported. A total system power budget should be calculated to determine if the power draw of the desired system configuration meets the power limits of the installed power supplies. A power budget tool for the specified system can be downloaded from <http://www.intel.com/support>.

The latest posted system software updates must be installed on the system to ensure proper fan speed control is enabled. The latest system update package can be downloaded from the following Intel web site: <http://downloadcenter.intel.com>

5.2 Intel® Xeon Phi™ Coprocessor Card – System Configuration Requirements

For best system performance and proper fan speed control, ensure the system is configured as follows:

- The following <F2> BIOS Setup Utility Options must be set:
 - MMIO over 4GB = Enabled
 - MMIO Size = 256GB

Intel highly recommends that the latest available system software be installed. The latest system update package can be downloaded from the following Intel web site: <http://downloadcenter.intel.com>

6. System Storage and Peripheral Drive Bay Overview

The Intel® Server System R2000WT product family has support for a variety of different storage options, including:

- Support for 8,16, or 24 Front Mount Hot Swap 2.5" SAS/SATA Drives
- Support for 8 or 12 Front Mount Hot Swap 3.5" SAS/SATA Drives
- Accessory Kit option to support up to 4 PCIe* SFF (NVMe) SSDs + up to 4 x 2.5" SAS drives (hard disk or SSD)
- Accessory Kit option to add support for 2 Rear Mount 2.5" Hot Swap Drives
- SATA Optical Drive support on non-storage models
- Internal fixed mount – 2 Solid State Devices (SSDs) supported in all system models
- Support for up to 2 SATA DOMs
- Support for a Low Profile (2mm) eUSB Solid State Device (eUSB SSD)

Support for different storage and peripheral options will vary depending on the system model and/or available accessory options installed. This section will provide an overview of each available option.

6.1 Front Mount – Drive Bay Support

The 2U product family provides options to support 8, 16, and 24 front mounted 2.5" devices. System configurations of 8 or 16 drives also include front panel I/O support.

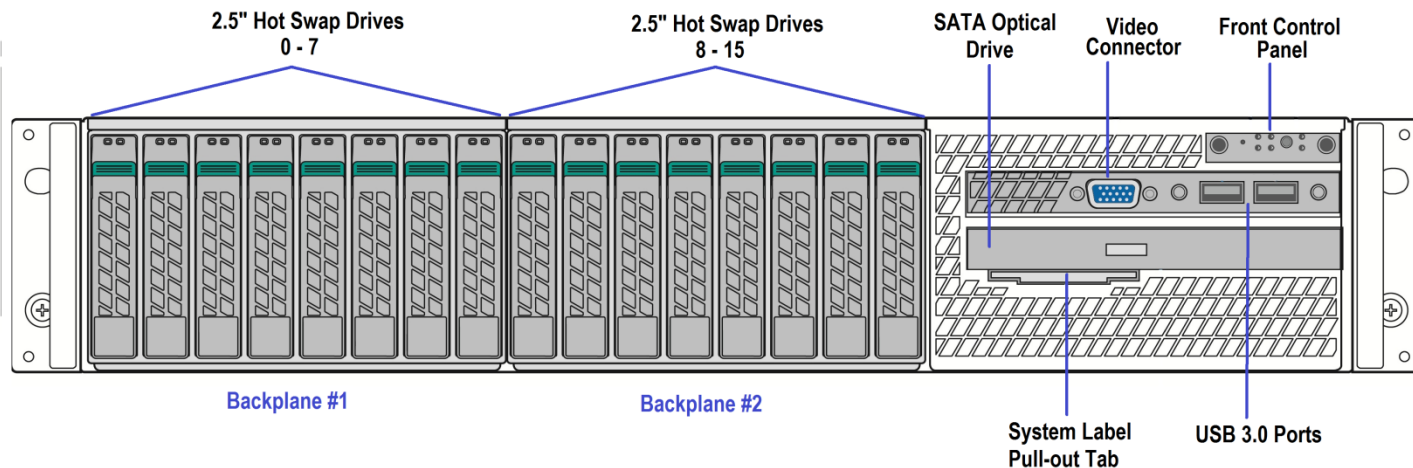
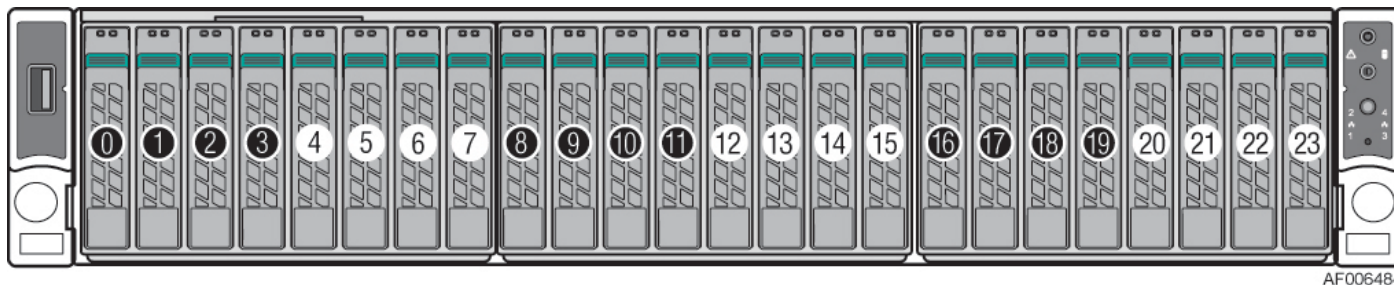


Figure 39. 2.5" Front Mount Drive Bay - 8 Drive (R2208Wt...) & 16 Drive (R2216WT...) Configuration



AF006484

Figure 40. Storage SKU – 2.5" Front Mount Drive Bay - 24 Drive (R2224WT...) Configuration

The 2U product family also includes options to support 8 and 12 front mounted 3.5" devices (Hard Disk or SSD). System configured with 8 devices also include front panel I/O.

Note: 3.5" drive trays in the 8 and 12 drive system configurations are capable of supporting 3.5" drives or 2.5" SSDs with the supplied device bracket.

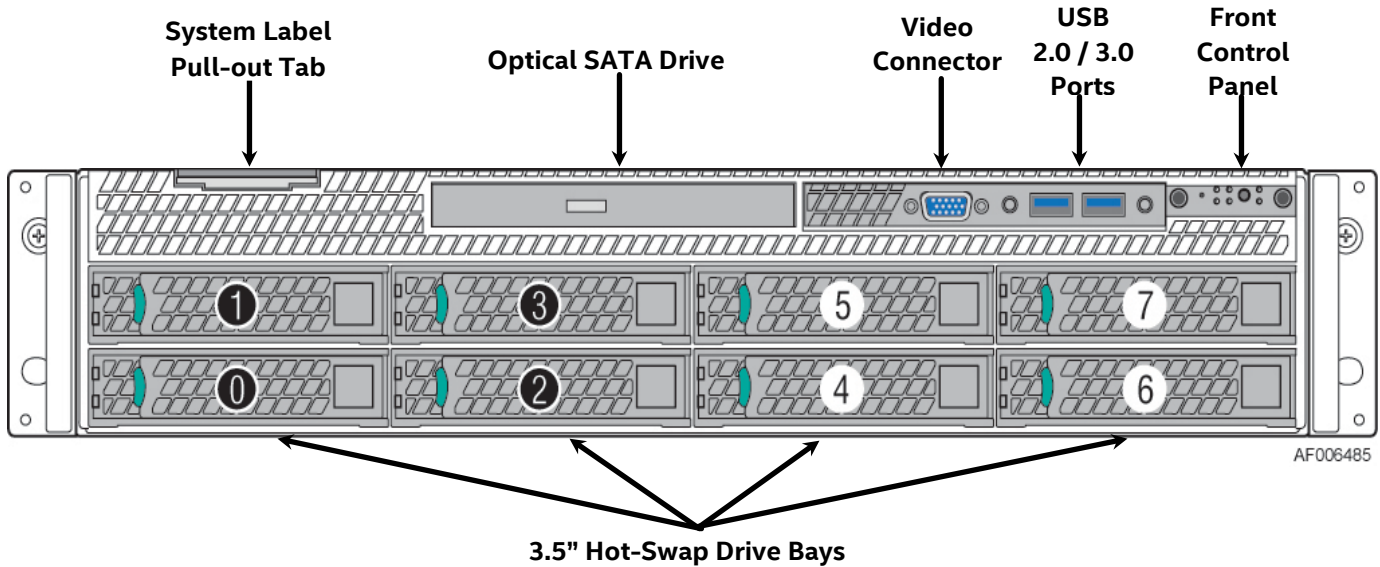


Figure 41. 3.5" Drive Bay - 8 Drive Configuration

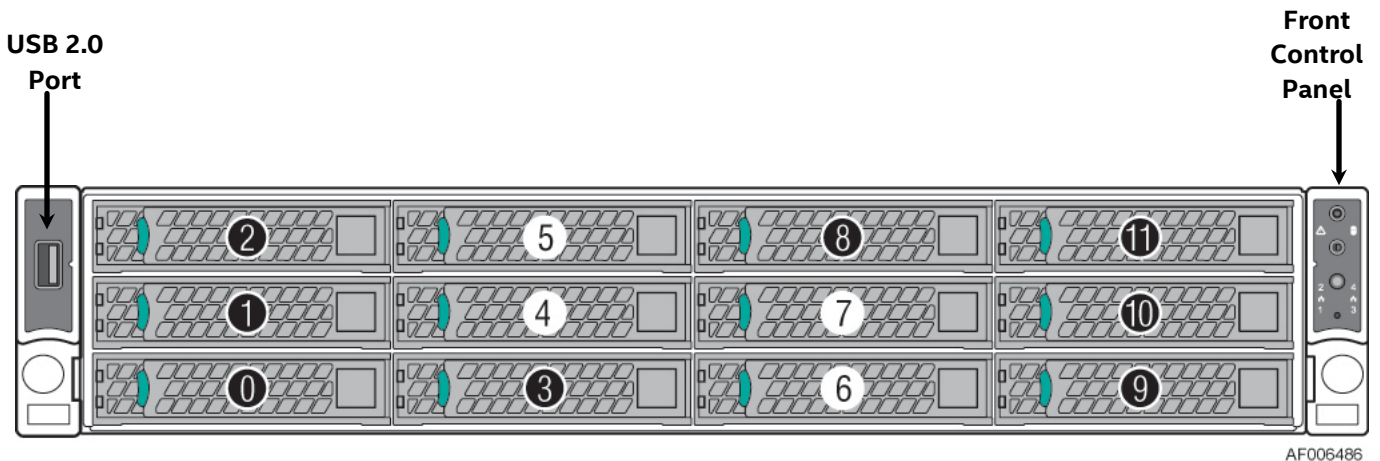


Figure 42. Storage SKU – 3.5" Drive Bay - 12 Drive Configuration

Note: Drive numbering in the system illustrations is for general reference only. Actual drive numbering will be dependent on SAS / SATA controller configuration and how they are cabled to the backplane. Each installed backplane will include a multi-port data connector for each set of four drives.

6.2 System Fan RVI and Hard Drive Storage Performance

Hard drive storage technology, which utilizes the latest state-of-the-art track density architectures, are susceptible to the effects of system fan rotational vibration interference (RVI) within the server system. As system fan speeds increase to their upper limits (>80% PWM or > 10,200 RPM), hard drive performance can be impacted.

Intel publishes a list of supported hard drives on its Tested Hardware and OS List (THOL). In general, unless identified in the NOTES column in the THOL, all listed hard drives have been tested to meet Intel performance targets when the systems fans are operating above 80% PWM and/or the system is operating at or below the platform ambient thermal limit of 35°C (95°F).

The THOL may also list hard drives that are only recommended for use in non-extreme operating environments, where the ambient air is at or below 20°C (68°F) and / or the hard drives are installed in system configurations where the system fans regularly operate below 80% PWM. Hard drives that require these support criteria for a given system will include an “Environmental Limitation” tag and message in the THOL “NOTES” column for that device. Using these drives in the more extreme operating environments puts these devices at higher risk of performance degradation.

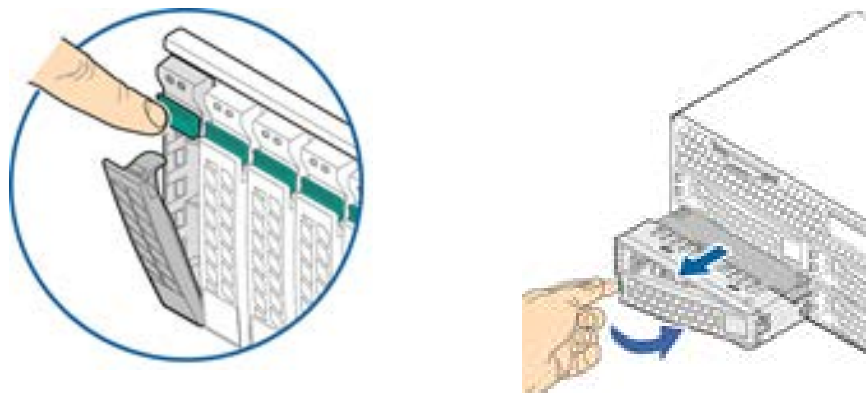
Intel recommends the following general support guidelines for server systems configured with hard drive storage technology:

- Avoid sustained server operation in extreme operating environments. Doing so will cause the system fans to operate at their upper speed limits and produce higher levels of RVI which could affect hard drive performance.

Note: Solid State Drive (SSD) performance is not impacted by the effects of system fan RVI.

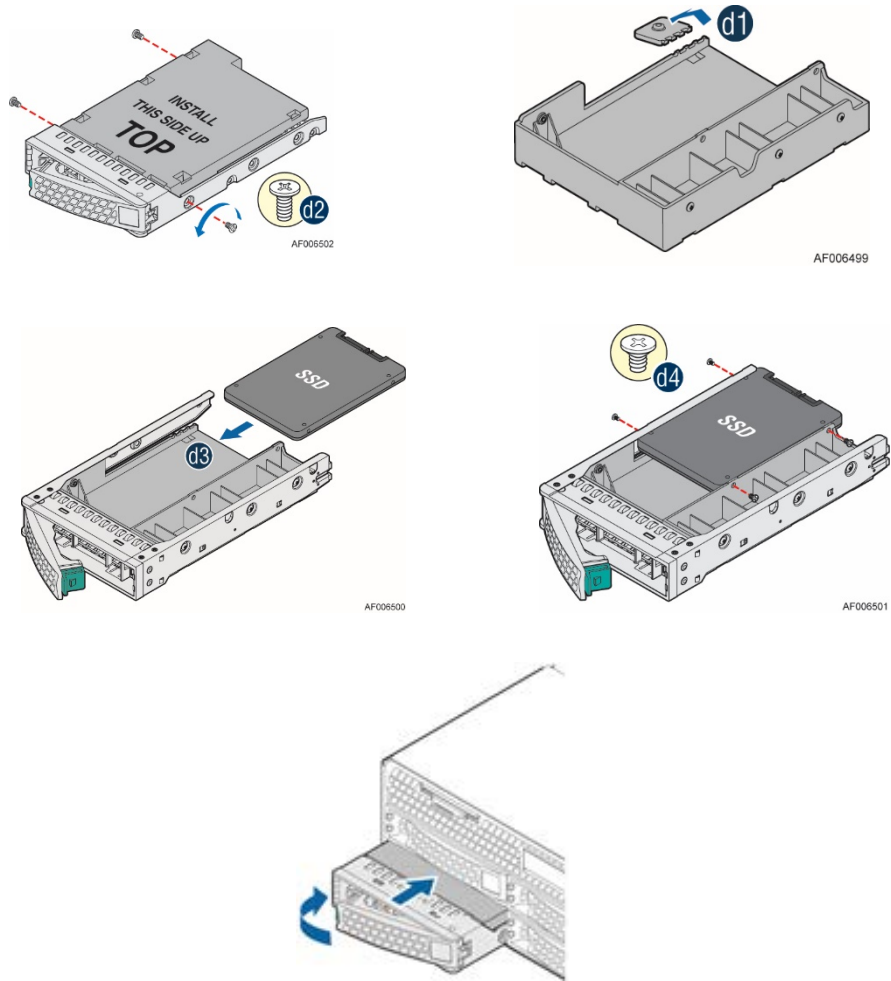
6.3 Hot Swap Storage Device Carriers

Each SAS/SATA hard disk drive or SSD that interfaces with a backplane is mounted to a hot swap drive carrier. Drive carriers include a latching mechanism used to assist with drive extraction and drive insertion.



There are drive carriers to support 2.5” devices and 3.5” devices. To maintain system thermals, all drive bays must be populated with a drive carrier mounted with a hard disk drive, SSD, or supplied drive blank.

Drive blanks used with the 3.5" drive carrier can also be used to mount a 2.5" SSD into it as shown below.



Note: Due to degraded performance and reliability concerns, the use of the 3.5" drive blank as a 2.5" device bracket is intended to support SSD type storage devices only. Installing a 2.5" hard disk drive into the 3.5" drive blank cannot be supported.

Each drive carrier includes separate LED indicators for drive Activity and drive Status. Light pipes integrated into the drive carrier assembly direct light emitted from LEDs mounted next to each drive connector on the backplane to the drive carrier faceplate, making them visible from the front of the system.



Figure 43. Drive Tray LED Identification

Table 36. Drive Status LED States

Amber	Off	No access and no fault
	Solid On	Hard Drive Fault has occurred
	Blink	RAID rebuild in progress (1 Hz), Identify (2 Hz)

Table 37. Drive Activity LED States

	Condition	Drive Type	Behavior
Green	Power on with no drive activity	SAS	LED stays on
		SATA	LED stays off
	Power on with drive activity	SAS	LED blinks off when processing a command
		SATA	LED blinks on when processing a command
	Power on and drive spun down	SAS	LED stays off
		SATA	LED stays off
	Power on and drive spinning up	SAS	LED blinks
		SATA	LED stays off

Note: The drive activity LED is driven by signals coming from the drive itself. Drive vendors may choose to operate the activity LED different from what is described in the table above. Should the activity LED on a given drive type behave differently than what is described, customers should reference the drive vendor specifications for the specific drive model to determine what the expected drive activity LED operation should be.

6.4 Peripheral Power Sources

Power for all backplanes and peripheral storage devices is drawn from two power connectors labeled as “HSBP_PWR” and the “Peripheral PWR” on the server board as illustrated below.

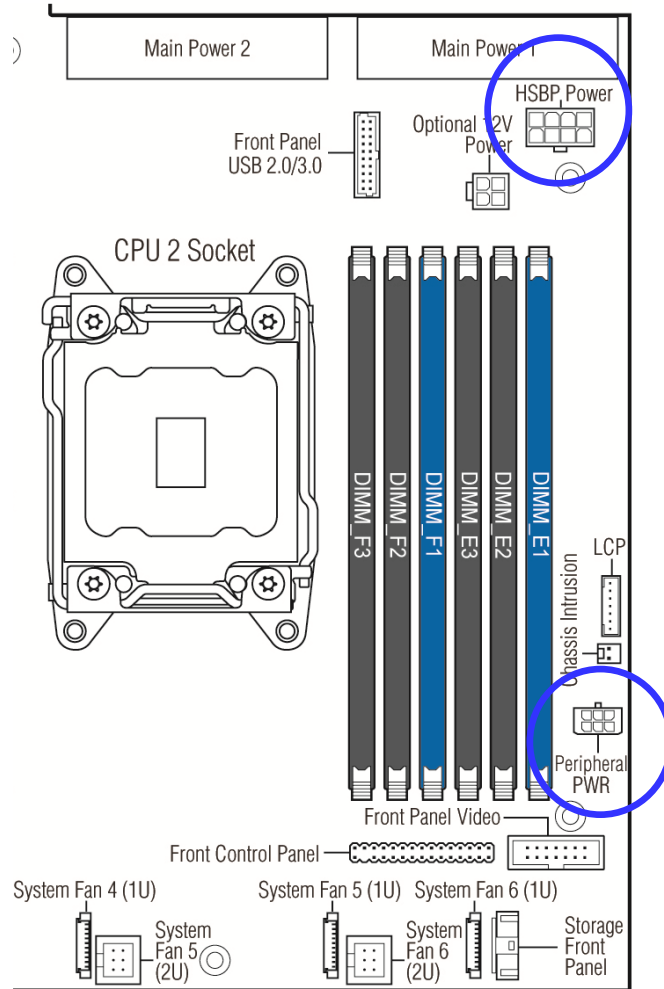


Figure 44. Server Board Peripheral Power Connectors

HSBP Power – The hot swap backplane power connector provides power for all front mounted backplane options. Appropriate power cables to support any given backplane option will be included with the given system model or given backplane accessory kit. See Table 27. Hot Swap Backplane Power Connector Pin-out (“HSBP PWR”).

Peripheral Power – The “Peripheral_PWR” connector is used to provide power to various add-in options including: Optical SATA Drive, internal mounted SSD Storage devices, and the 2 x 2.5” Rear Mount Hot Swap Backplane Accessory Kit. Appropriate power cables to support any supported peripheral option will be included with the given system model or given accessory kit option.

6.5 Optical Drive Support

Systems configured with eight 3.5” hard drive bays or up to sixteen 2.5” drive bays also include support for an optical drive bay ‘A’ as illustrated below.

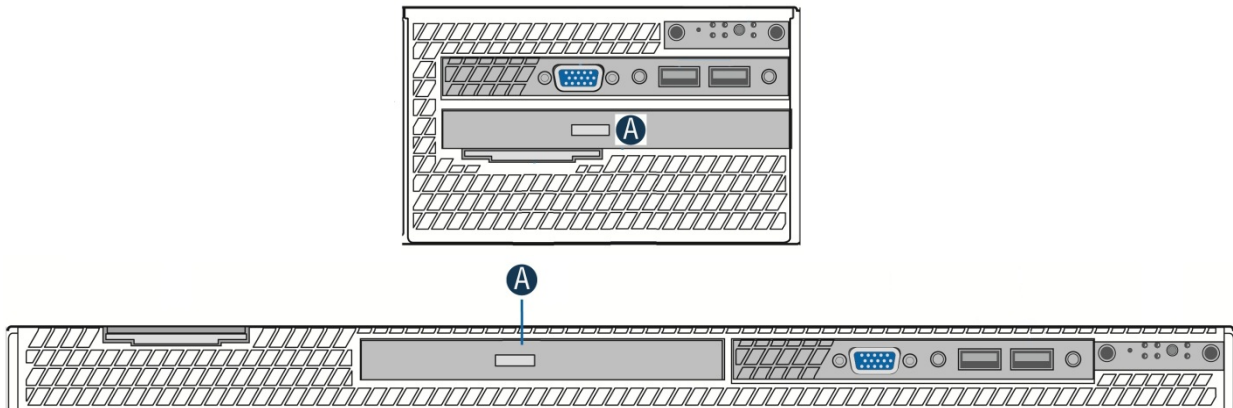
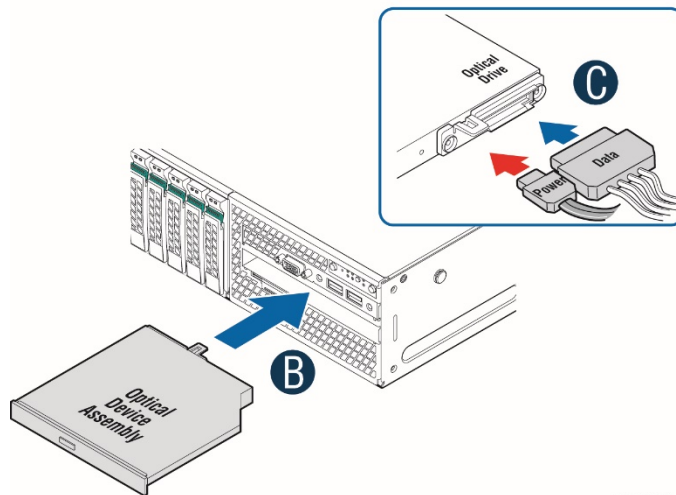


Figure 45. Optical Drive Support

A 2x3 pin power connector on the server board labeled “Peripheral PWR” is designed to provide power to two SATA SSDs or a single SATA SSD and a SATA optical drive. Using the supplied power harness, one power lead is routed to the optical drive bay, and two longer power leads are routed to the SSDs. SATA signals for one SSD and one optical drive or two SSDs, are cabled from the two white single port AHCI SATA connectors on the server board.



AF004099

Figure 46. Optical Drive Installation

6.6 Storage Backplane Options

The 2U system has support for several backplane options.

For 2.5" drives, available backplane options include:

- 8 x 2.5" drive SAS/SATA backplane
- 8 x 2.5" drive dual port SAS backplane (Intel Accessory Kit **A2U8X25S3DPDK**)
- 8 x 2.5" drive combo SAS / PCIe* SFF (NVMe) SSD backplane module (Intel Accessory Kit **A2U44X25NVMEDK**)
- 2 x 2.5" drive rear mount SATA backplane module (Intel Accessory Kit **A2UREARHSDK**)

For 3.5" drives, available options include:

- 8 x 3.5" SAS/SATA backplane
- 12 x 3.5" SAS/SATA backplane

A backplane is either mounted directly to the back of the drive bay, as is the case for both 8 x 3.5" and 12 x 3.5" drive options, (as shown in the following diagram),

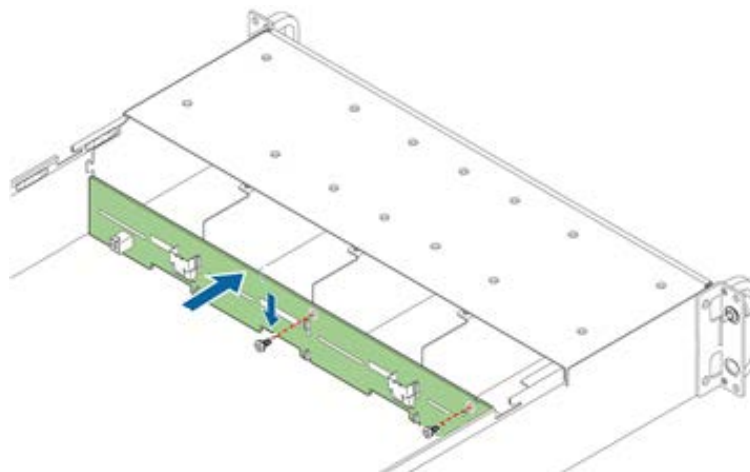


Figure 47. 3.5" Backplane Placement

or mounted to a modular 8 x 2.5" drive bay which slides into the front of the chassis. The modular design allows for drive expansion as needed by adding any one of several available backplane module accessory kits.

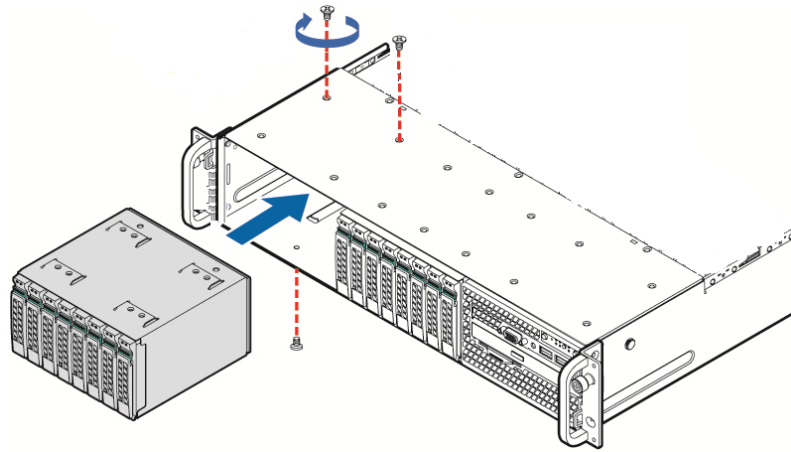


Figure 48. 2.5" Drive Bay Module Placement

All available SAS / SATA compatible backplanes include the following common features:

- 12 Gb SAS and 6Gb SAS/SATA. Note: 3 Gb SATA and slower devices cannot be supported
- 29-pin SFF-8680 12 Gb rated drive interface connectors, providing both power and I/O signals to attached devices
- Hot swap support for SATA / SAS devices
- SFF-8643 Mini-SAS HD input connectors that are 12Gb capable
- SGPIO SFF-8485 interface embedded within the sideband of the mini-SAS HD connectors
- I2C interface from a 5-pin connector for device status communication to the BMC over slave SMBus
- HSBP microcontroller - Cypress* CY8C22545-24AXI Programmable System-on-Chip (PSoC*) device
- LEDs to indicate drive activity and status for each attached device
- Device presence detect inputs to the microcontroller
- 5V VR for devices
- 3.3V VR for microcontroller
- In-application microcontroller FW updateable over the I2C interface
- FRU EEPROM support
- Temperature sensor through the use of a TMP75 (or equivalent) thermistor implementation with the microcontroller

SGPIO Functionality

Backplanes include support for a SFF-8485 compliant SGPIO interface used to activate the Status LED. This interface is also monitored by the microcontroller for generating FAULT, IDENTIFY, and REBUILD registers that in turn are monitored by the server board BMC for generating corresponding SEL events.

I2C Functionality

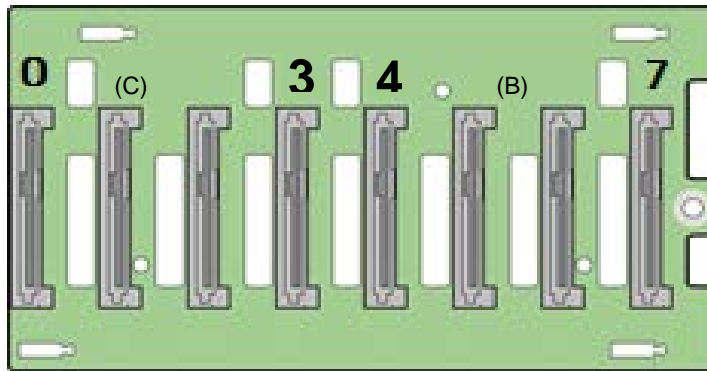
The microcontroller has a master/slave I2C connection to the server board BMC. The microcontroller is not an IPMB compliant device. The BMC will generate SEL events by monitoring registers on the HSBP microcontroller for DRIVE PRESENCE, FAULT, and RAID REBUILD in progress.

8 x 2.5" Drive Single Port SAS Backplane

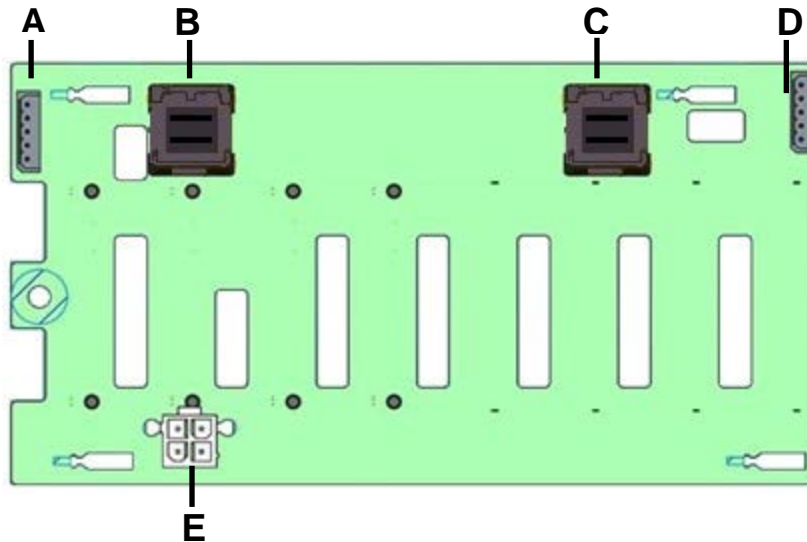
Intel Spare Product Code: **FXX8X25S3HSBP**

Most 2.5" drive system models within the product family will ship with at least one 8 x drive backplane capable of supporting 12 Gb/sec SAS and 6 Gb/sec SAS / SATA drives. Both hard disks and Solid State Devices (SSDs) can be supported within a common backplane. Each backplane can support SATA and SAS devices. However, mixing of SATA and SAS devices within a common hot swap backplane is not recommended and not validated by Intel.

The front side of the backplane includes 8 x 29-pin SFF-8680 drive interface connectors, each capable of supporting 12 Gb SAS or 6 Gb SAS/SATA. The connectors are numbered 0 thru 7. Signals for each set of four drive connectors (0-3 and 4-7), are routed to separate multi-port mini-SAS HD connectors on the back side of the backplane.



Note: Letters in parenthesis denote references to connectors on the backside of the backplane as illustrated in the following diagram.



Label	Description
A	I2C-Out cable connector for multi-backplane support
B	Ports 4-7 Mini-SAS HD cable connector
C	Ports 0-3 Mini-SAS HD cable connector
D	I2C-In cable connector – From Server board or other backplane
E	Power connector

Figure 49. 8 x 2.5" SAS / SATA Hot Swap Backplane

Connectors A and D – I2C Cable Connectors – The backplane includes two 1x5 cable connectors (labeled I2C_IN and I2C_OUT) used as a management interface between the server board and the installed backplanes. In systems configured with multiple backplanes, a short jumper cable is attached between backplanes, with connector A used on the first board and connector D used on the second board, extending the SMBus to each installed backplane.

PIN	SIGNAL
1	SMB_3V3SB_DAT
2	GND
3	SMB_3V3SB_CLK
4	SMB_ADD0
5	SMB_ADD1

Connectors B and C – Multi-port Mini-SAS HD Cable Connectors – The backplane includes two multi-port mini-SAS HD cable connectors (labeled PORT 0-3 and PORT 4-7), each providing SGPIO and I/O signals for up to four SAS/SATA devices installed in the hot swap drive bay. Input cables can be routed from matching connectors on the server board (on-board SATA only), installed add-in SAS/SATA RAID cards, or from an optionally installed SAS expander card for drive configurations of greater than 8 hard drives.

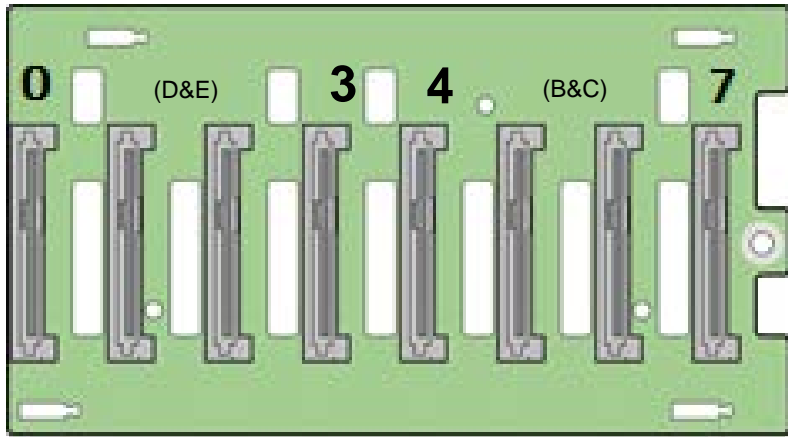
Connector E – Power Harness Connector – The backplane includes a 2x2 connector supplying power to the backplane. Power is routed to each installed backplane via a multi-connector power cable harness from the server board.

PIN	SIGNAL	SIGNAL	PIN
1	GND	P12V	3
2	GND	P12V	4

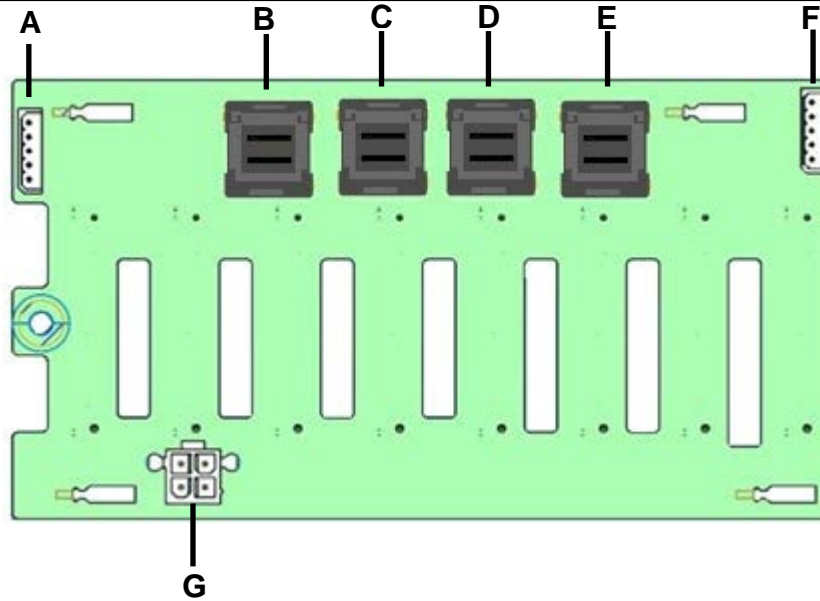
8 x 2.5" Drive Dual Port SAS Backplane

Intel Accessory Kit Product Code: **A2U8X25S3DPDK**

With the 8 x drive dual port backplane accessory kit installed, the server can support up to 8 x dual port SAS drives. The front side of the backplane includes 8 x 29-pin drive interface connectors, each capable of supporting 12 Gb/s SAS or 6 Gb SAS/SATA. The connectors are numbered 0 thru 7. Signals for each set of four drive connectors (0-3 and 4-7), are routed to a pair of Mini-SAS HD connectors on the back side of the backplane, one for the primary port and one for the secondary port.



Note: Letters in parenthesis denote references to connectors on the backside of the backplane as illustrated in the following diagram.



Note: This backplane is mostly used on JBODs to provide RAID level redundancy. 2 Mini-SAS connectors goes to the RAID module controllers and the other 2 Mini-SAS are connected to a RAID card controller. This configuration provides RAID level redundancy.

Label	Description
A	I2C-Out cable connector for multi-backplane support
B	SAS Ports 4-7 (Secondary) Mini-SAS HD cable connector
C	SAS Ports 4-7 (Primary) Mini-SAS HD cable connector
D	SAS Ports 0-3 (Secondary) Mini-SAS HD cable connector
E	SAS Ports 0-3 (Primary) Mini-SAS HD cable connector
F	I2C-In cable connector – From Server board or other backplane
G	Power connector

Figure 50. 8 x 2.5" Dual Port SAS Backplane

Connectors A and F – I2C Cable Connectors – The backplane includes two 1x5 cable connectors used as a management interface between the server board and the installed backplanes. In systems configured with multiple backplanes, a short jumper cable is attached between backplanes, with connector “A” used on the first board and connector F used on the second board, extending the SMBus to each installed backplane.

PIN	SIGNAL
1	SMB_3V3SB_DAT
2	GND
3	SMB_3V3SB_CLK
4	SMB_ADD0
5	SMB_ADD1

Connectors B and C – Multi-port Mini-SAS HD Cable Connectors – Primary and Secondary port connectors for drives 4 -7. Cables can be routed from matching connectors on the server board, installed add-in SAS/SATA RAID cards, or optionally installed SAS expander cards for drive configurations of greater than 8 hard drives.

Connectors D and E – Multi-port Mini-SAS HD Cable Connectors – Primary and Secondary port connectors for drives 0 - 3. Cables can be routed from matching connectors on the server board, installed add-in SAS/SATA RAID cards, or optionally installed SAS expander cards for drive configurations of greater than 8 hard drives.

Connector G – Power Harness Connector – The backplane includes a 2x2 connector supplying power to the backplane. Power is routed to each installed backplane via a multi-connector power cable harness from the server board.

PIN	SIGNAL	SIGNAL	PIN
1	GND	P12V	3
2	GND	P12V	4

8 x 2.5" Drive Combo SAS / PCIe* SFF (NVMe) SSD Backplane Accessory Kit

Intel Accessory Kit Product Code: **A2U44X25NVMEDK**

An optional eight drive Combo Backplane accessory is capable of supporting a combination of both SAS/SATA drives and up to four PCIe* SFF (Small Form Factor) (NVMe) SSD drives.

Note – Different PCIe* storage device manufacturers may reference their PCIe* storage devices differently from one another. Some may reference them as PCIe SFF while others may reference them as NVMe. Visit <https://serverconfigurator.intel.com> for a list of supported PCIe* storage devices.

The kit includes:

- 1 – 8 x 2.5" Drive Combo Backplane
- 1 – PCIe* 4x4 Re-driver add-in card
- 1 – 2-slot PCIe* riser card (one x16 PCIe slot + one x8 PCIe slot)
- 4 – PCIe* SFF (NVMe) drive carriers with Blue latches
- 4 – SAS / SATA drive carriers with Green latches
- 2 – Dual port PCIe* add-in card to backplane cables

Accessory Kit Integration and Usage Requirements:

- This kit is only supported in dual processor configurations
- The system is limited to supporting only one combo backplane kit in addition to one or two other backplane options
- The combo backplane module can only be supported in the first (left) drive bay when no other backplane module is installed

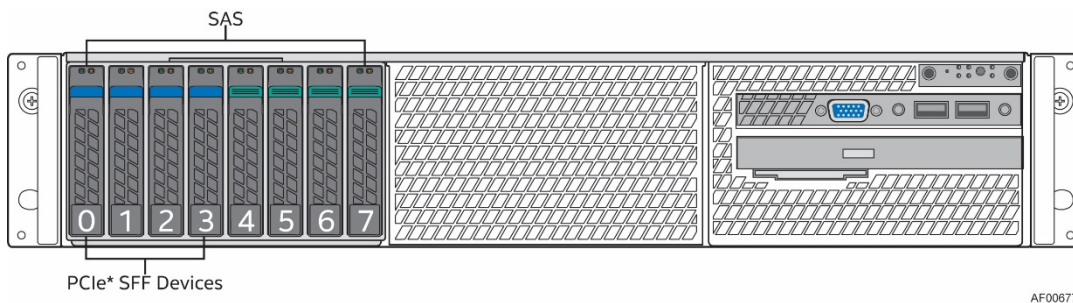


Figure 51. Combo Backplane Module Placement – 8 x 2.5" front drive configurations

- Due to thermal and power limits associated with 16 x 2.5" and 24 x 2.5" front drive configurations, the combo backplane module can only be supported in the second (middle) drive bay

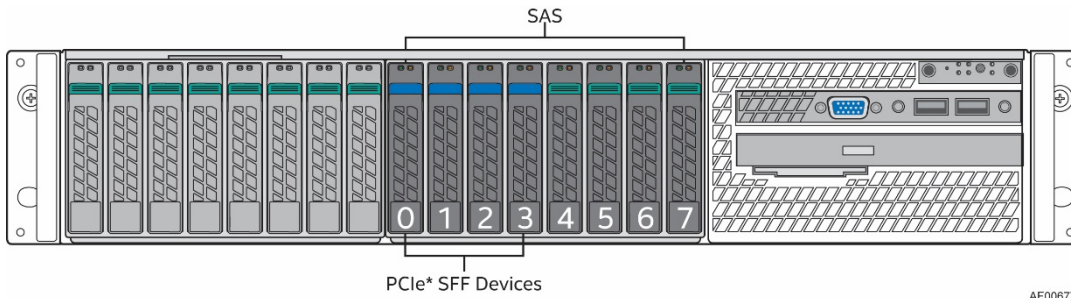


Figure 52. Combo Backplane Module Placement - 16 x 2.5" and 24 x 2.5" front drive configurations

- The backplane is capable of supporting 12 Gb SAS or 6 Gb SAS/SATA drives. The SAS/SATA drives are hot-swappable. However, mixing of SATA and SAS drives within a common hot swap backplane is not recommended. The front side of the backplane includes eight drive interface connectors: four SFF-8639 PCIe/SAS/SATA capable, and four SFF-8680 SAS/SATA only. All eight connectors can support SATA or SAS drives, but only the first four on the backplane are capable of supporting PCIe* SFF (NVMe) drives.
- PCIe* SFF (NVMe) SSDs are hot swap / hot plug capable. Support and usage is OS dependent (See Table 39). The server system must have the following System Software installed.
 - System BIOS version **R01.01.1008** or later
 - BMC Firmware version **01.18.7601** or later
 - FRUSDR version **1.06** or later

System software updates can be downloaded from the following Intel web site:

<http://downloadcenter.intel.com/>

- To identify a PCIe* SFF drive from a SAS / SATA drive, two different drive carriers are included in the kit. Drive carriers with a Blue latch are used to identify PCIe* SFF (NVMe) drives. Drives carriers with a Green latch are used to identify SAS / SATA drives

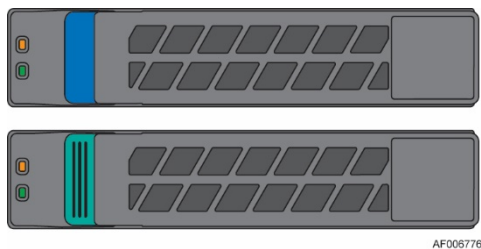
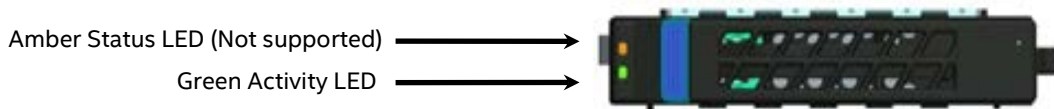


Figure 53. Combo Backplane Kit Device Carrier Identification

- Each drive carrier includes separate LED indicators for drive Activity and drive Status. However, their functionality may differ depending on the drive type. For SAS and SATA LED support, see section 6.3. PCIe* SFF (NVMe) LED support is as follows:



- Any combination and number of drives up to eight can be supported as long as the number of PCIe* SFF (NVMe) devices does not exceed four and they are installed into any of the first four drive connectors on the backplane. The remaining drives can be SAS or SATA.

NOTE: Mixing of PCIe* SFF and SAS/SATA devices in an alternating manner (as identified in the following example) is not a recommended configuration.

Example – “SAS/SATA” + “PCIe* SFF” + “SAS/SATA” + “PCIe* SFF”.

- The PCIe® 4x4 redriver add-in card is only supported when configured in a 2-slot riser installed in Riser Slot #2 of the server board. The card will not be identified or configured by the system BIOS when installed into Riser Slot #1 or Riser Slot #3 (if present).

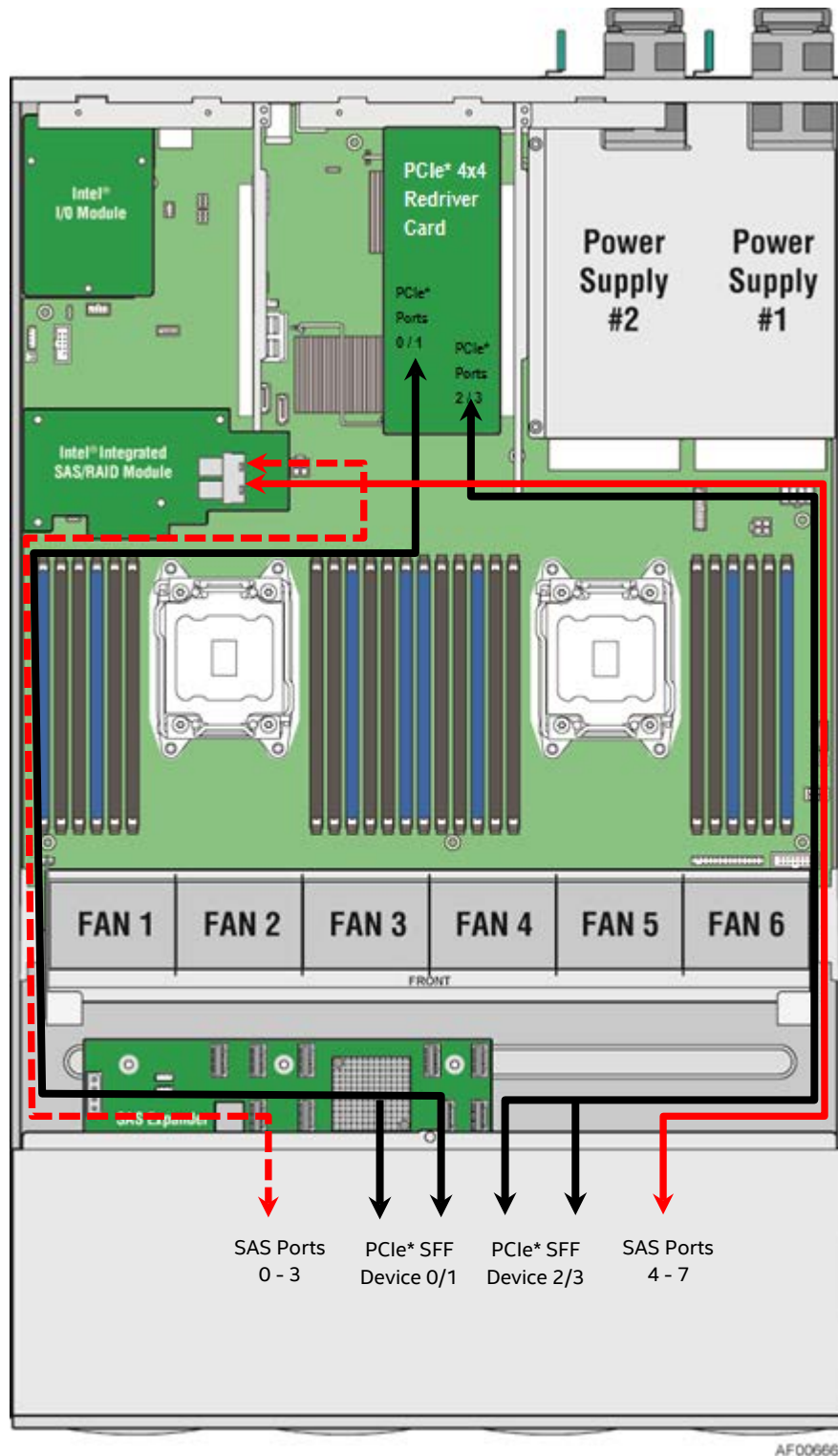


Figure 54. Combo Backplane Cable Routing – PCIe® SFF (NVMe) + SAS

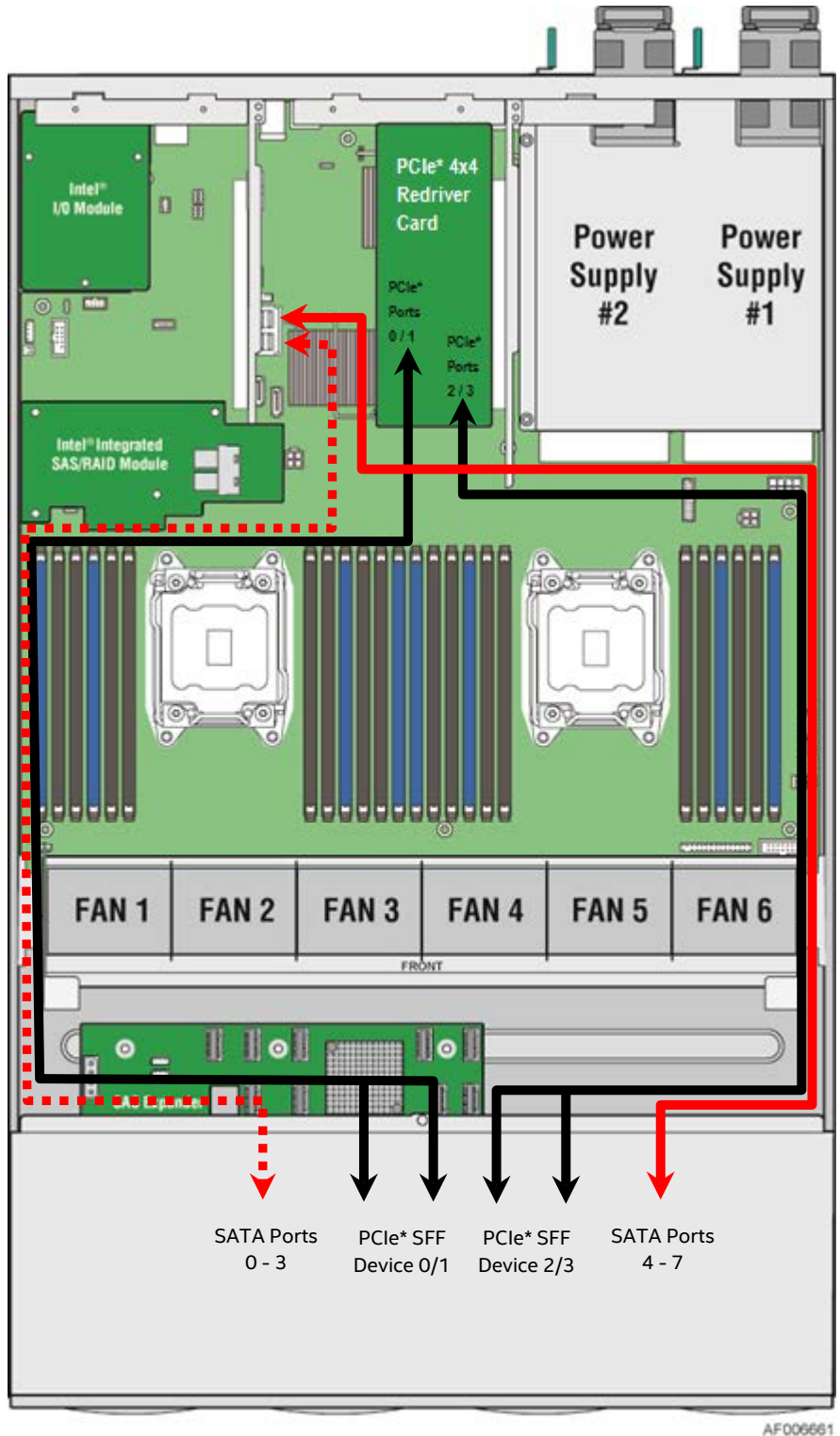
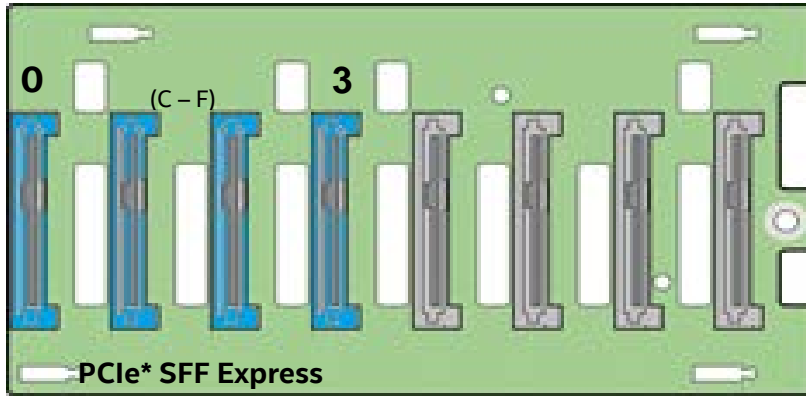
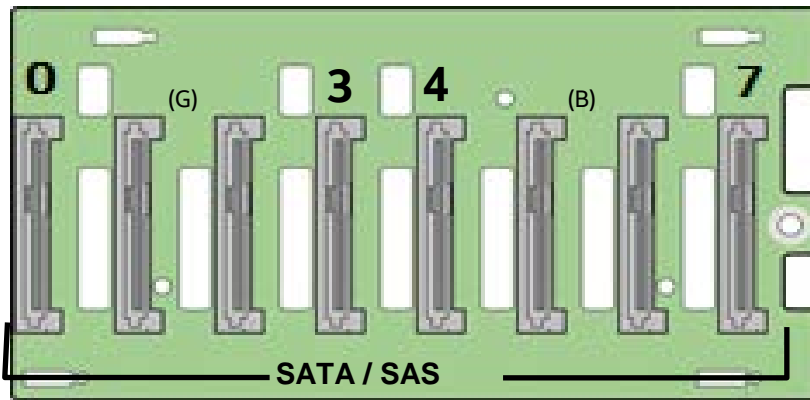


Figure 55. Combo Backplane Cable Routing – PCIe* SFF (NVMe) + SATA

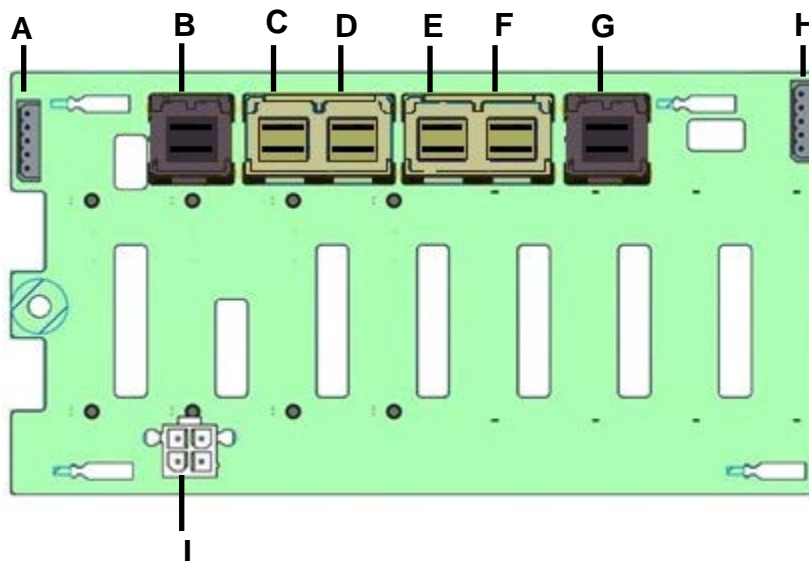
Note: Letters in parenthesis in the following diagrams denote associative connectors identified on the backplane backside connector diagram



4 x PCIe* SFF (NVMe) Drive Numbering



8x SAS / SATA Only Drive Numbering



Combo Backplane Rear Connector Identification

Figure 56. 8 x 2.5" Combo SAS / PCIe* SFF Backplane Connector Definition

Table 38. Combo Backplane Rear Connector Identification

Label	Description
A	I2C-Out cable connector for multi-backplane support
B	SATA / SAS Ports 4-7 Mini-SAS HD cable connector
C	PCIe* SFF Device #3 Mini-SAS HD cable connector
D	PCIe* SFF Device #2 Mini-SAS HD cable connector
E	PCIe* SFF Device #1 Mini-SAS HD cable connector
F	PCIe* SFF Device #0 Mini-SAS HD cable connector
G	SATA / SAS Ports 0-3 Mini-SAS HD cable connector
H	I2C-In cable connector – From Server board or other backplane
I	Power connector

Connectors A and H – I2C Cable Connectors – The backplane includes two 1x5 cable connectors used as a management interface between the server board and the installed backplanes.

PIN	SIGNAL
1	SMB_3V3SB_DAT
2	GND
3	SMB_3V3SB_CLK
4	SMB_ADD0
5	SMB_ADD1

- **I²C cable connection for combo backplane installed as the only backplane option:** Locate the long I²C cable (backplane to server board) that comes with the server system or chassis, and attach one end to the “I2C-IN” connector on the combo backplane and the other end to the “HSBP_I2C” connector on the server board.

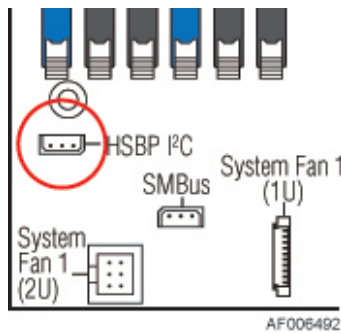


Figure 57. “HSBP_I2C” connector on the server board

- **I²C cable connection for combo backplane installed as the 2nd backplane option:** Locate the short I²C jumper cable (backplane to backplane), and attach one end to the “I2C-IN” connector of the combo backplane and the other end to the “I2C-OUT” connector of the existing backplane.

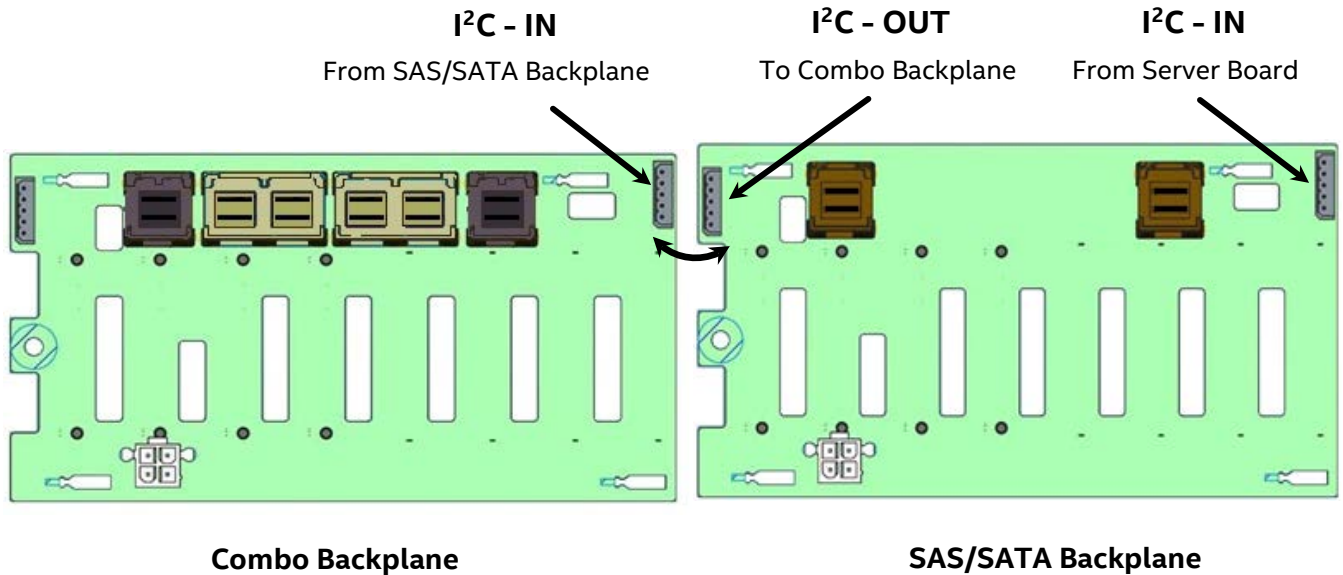


Figure 58. I²C connector Identification - Combo Backplane as the 2nd Backplane Option

Connectors B and G – Multi-port Mini-SAS HD Cable Connectors – The backplane includes two black multi-port mini-SAS HD cable connectors, each providing SGPIO and I/O signals for up to four SAS or SATA devices on the backplane. Cables can be routed from matching connectors on the server board for SATA only support, installed add-in SAS/SATA RAID cards, or optionally installed SAS expander cards for drive configurations of greater than 8 hard drives.

Connectors C, D, E, and F – Each light brown connector supports a single PCIe* SFF device. Each connector is cabled directly to an add-in PCIe* Redriver card installed in Riser #2 on the server board.

Connector I – Power Harness Connector – The backplane includes a 2x2 connector supplying power to the backplane. Power is routed to each installed backplane via a multi-connector power cable harness from the server board.

PIN	SIGNAL	SIGNAL	PIN
1	GND	P12V	3
2	GND	P12V	4

Intel® Accessory Kit A2U44X25NVMEDK Operating System Support List

As of this writing, Intel® accessory kit **A2U44X25NVMEDK** provides support for the following operating systems. This list will be updated as new operating systems are validated with this kit by Intel.

Table 39. Intel® Accessory Kit A2U44X25NVMEDK Operating System Support List

Operating System	A2U44X25NVMEDK support (Y/N)	PCIe* SFF (NVMe) OS Boot support (Y/N)	PCIe* SFF (NVMe) Hot Plug / Hot Swap Support (Y/N)
Windows Server 2012* R2 w/Updated Datacenter x64, Legacy boot	Yes	No	Yes
Windows Server 2012 R2 w/Updated Datacenter x64, uEFI boot	Yes	Yes	Yes
Windows Hyper-V 2012* R2 x64, Legacy boot	Yes	No	Yes
Windows Hyper-V 2012 R2 x64, uEFI boot	Yes	Yes	Yes
Red Hat Enterprise Linux 7.0* x64, Legacy boot	Yes	No	No
Red Hat Enterprise Linux 7.0 x64, uEFI boot	Yes	Yes	No
Red Hat Enterprise Linux 6.5* x64, Legacy boot	No	N/A	N/A
Red Hat Enterprise Linux 6.5 x64, uEFI boot	No	N/A	N/A
Red Hat Enterprise Linux 6.5 x86, Legacy boot	No	N/A	N/A
SuSE Linux Enterprise Server 11* SP3 x64, Legacy Boot	No	N/A	N/A
SuSE Linux Enterprise Server 11 SP3 x64, uEFI Boot	No	N/A	N/A
SuSE Linux Enterprise Server 11 SP3 x86, Legacy Boot	No	N/A	N/A
Windows Server 2008* R2 sp1 x64, Legacy Boot	Yes	No	Yes
Windows Server 2008 R2 sp1 x64, uEFI Boot	Yes	No	Yes
Windows Server 2008 R2 sp1 x86, Legacy Boot	No	N/A	N/A
Windows 7* x64, Legacy boot	No	N/A	N/A
Windows 7 x64, uEFI boot	No	N/A	N/A
VMWare ESXi 5.5* U2	No	N/A	N/A
Ubuntu 14.04 Server* x64, Legacy Boot	No	N/A	N/A
Ubuntu 14.04 Server x64, EFI Boot	No	N/A	N/A
Ubuntu 14.04 Server x86, Legacy Boot	No	N/A	N/A
CentOS 6.5* x64, Legacy Boot	No	N/A	N/A
CentOS 6.5 x64, uEFI Boot	No	N/A	N/A
CentOS 6.5 x86, Legacy Boot	No	N/A	N/A
FreeBSD 10* x64 Legacy Boot	No	N/A	N/A
FreeBSD 10 x86 Legacy Boot	No	N/A	N/A

Intel® PCI Express 8-Lane, 4-Port Fan-Out Switch “AXX4PX8HDAIC”

The Intel® PCI Express 8-Lane, 4-Port Fan-Out Switch “AXX4PX8HDAIC” is ideal for increasing the number of NVMe SSDs in systems where PCIe lanes from the CPU are limited.

- Compatible with standard PCIe SIG x8 or x16 PCIe slots.
- Comes with full height and low profile mounting brackets.
- Mini-SAS HD cables Included for cabling to NVMe drives / backplanes

Max Data Rate:

Integrated SerDes supports 8.0 GT/s Gen3; 5.0 GT/s Gen2 and 2.5 GT/s Gen1 operation

8 x 2.5" Drive Combo SAS / PCIe* SFF (NVMe) A2U44X25NVMEDK2 Backplane Accessory Kit

The Intel® Server System 8 x 2.5" Drive Combo SAS / PCIe* SFF Backplane Accessory Kit A2U44X25NVMEDK2 is designed as an accessory kit for the Intel® Server System R2000WT Product Family (2U rack server system integrated with an Intel® Server Board S2600WT). It provides the necessary components to support a combination of SAS drives and up to four PCIe* SFF (Small Form Factor) SSD drives, also known as NVMe drives.

Accessory Kit Integration and Usage Requirements:

The kit includes:

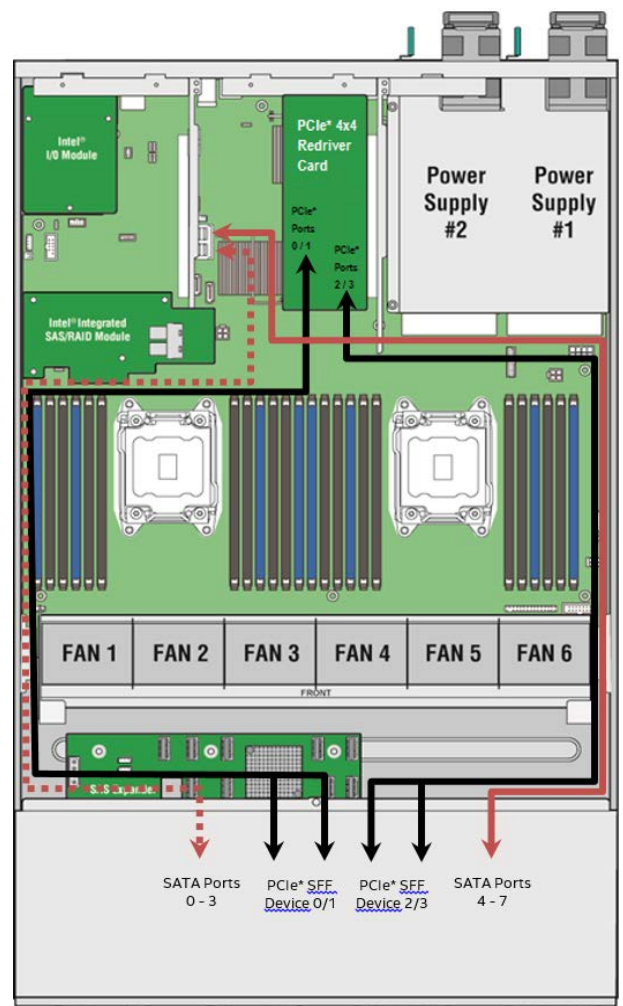
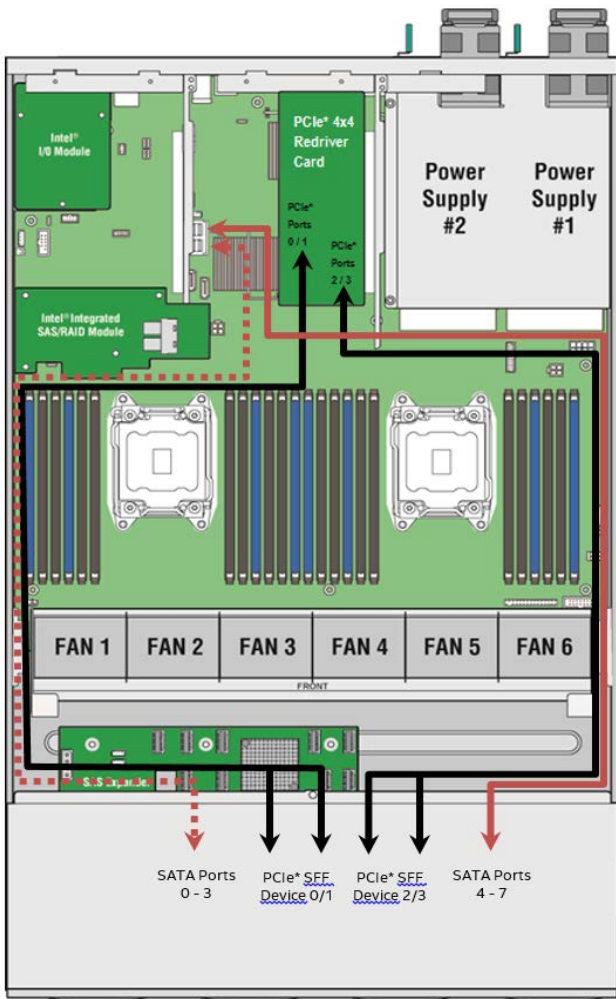
- 1 – 8 x 2.5" Drive Combo SAS + NVMe Backplane
- 1 – x8 PCIe* Switch Add-in Card1
- 1 – Backplane I2C Jumper Cable
- 4 – PCIe* SFF (NVMe) drive carriers with Blue latches.
- 4 - SATA/SAS drive carriers with Green latches.
- 1 - Drive cage, 1x combo backplane
- 2 – Dual-port PCIe* SFF (NVMe) Drive Cables.

NOTE: With the exception of the top PCIe add-in slot on Riser #1, all PCIe add-in card slots identified above require that the system have 2 processors installed.

NOTE: For optimal PCIe cable routing, install the PCIe Switch add-in card into Riser #2. Cable routing from Riser #1 will be less optimal and will require a service loop behind the drive bay before attaching cables to the backplane.

NOTE: In systems configured with an optional Intel® Integrated RAID Module, the PCIe* Switch card is only supported in the top PCIe add-in slot when installed in Riser #1

Cable connections identified in the following cable routing diagrams can be applied to any combo backplane assembly installed. However, cable routing may differ depending on which riser card the x8 PCIe* Retimer card is installed.

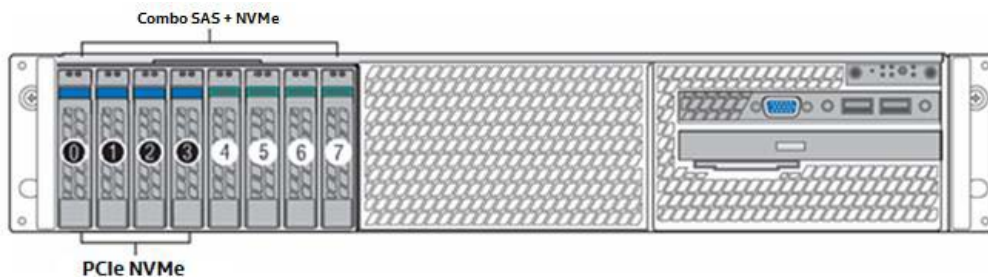


Combo Backplane Cable Routing – PCIe* SFF (NVMe) + SAS

Combo Backplane Cable Routing - PCIe* SFF (NVMe) + SATA

The 2U system is limited to supporting up to two combo backplane assemblies in addition to one or two other backplane options.

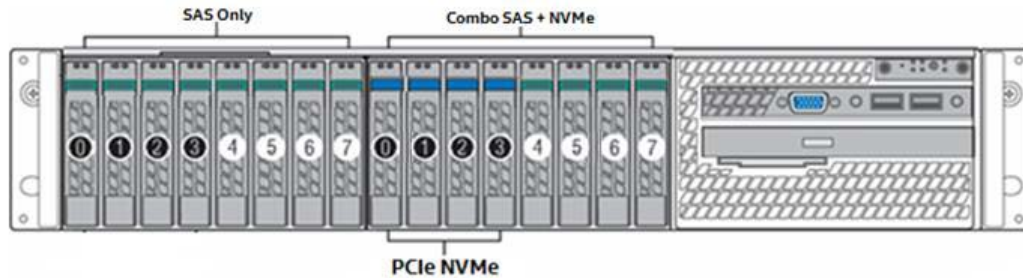
The combo backplane assembly can only be supported in the first (left) drive bay when no other backplane module is installed.



Combo Backplane Module Placement – 8 x 2.5" front drive configurations

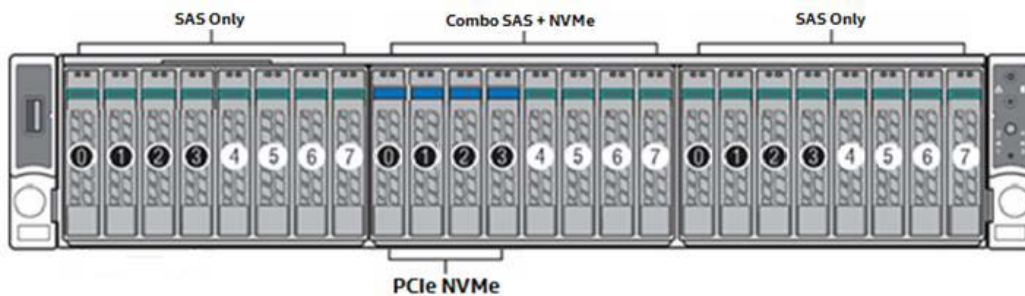
In 16 drive configurations, one or two combo backplane assemblies can be installed. For optimal system cooling in a Combo Backplane + SAS Only backplane configuration, the combo backplane **MUST** be installed in the second drive bay as shown below.

In a dual combo backplane assembly configuration, the backplane assemblies are installed into drive bays 1 and 2 as shown below.



16 x 2.5 Drive Configuration w/ One Combo Backplane + One SAS Only Backplane

In a 24 drive configuration, only a single combo backplane assembly can be supported along with two SAS only backplane assemblies. For optimal system cooling in this configuration, the combo backplane assembly **MUST** be installed into drive bay #2, as shown below.



Combo Backplane Module Placement - 24 x 2.5" front drive configurations

- The x8 PCIe* Switch Add-in Card can be supported in the following PCIe Riser Card locations:
- See Reference Figure 2 to identify Riser Slot locations
- o PCIe Riser Card #1 – Top and Bottom PCIe add-in card slots only
- o PCIe Riser Card #2 – Any available PCIe add-in card slot
- o PCIe Riser Card #3** (If installed) – Not supported

NOTE: The **A2U44X25NVMEDK2** supports the same OS described on the “Table 39. Intel® Accessory Kit A2U44X25NVMEDK Operating System Support List” page 78.

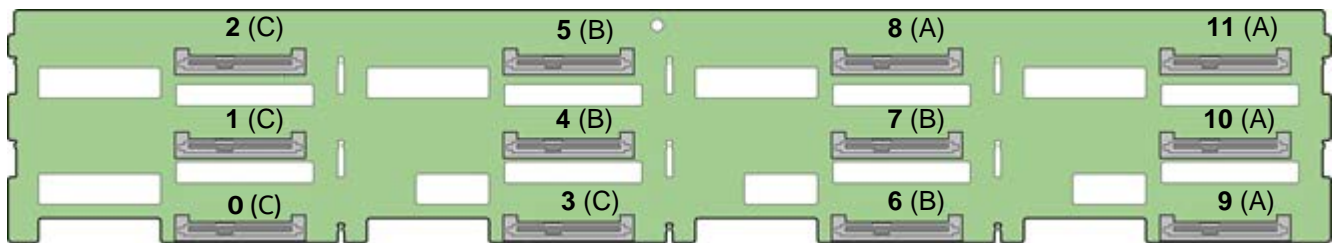
3.5" Drive Hot-Swap Backplane Overview

Intel Spare Product Codes –

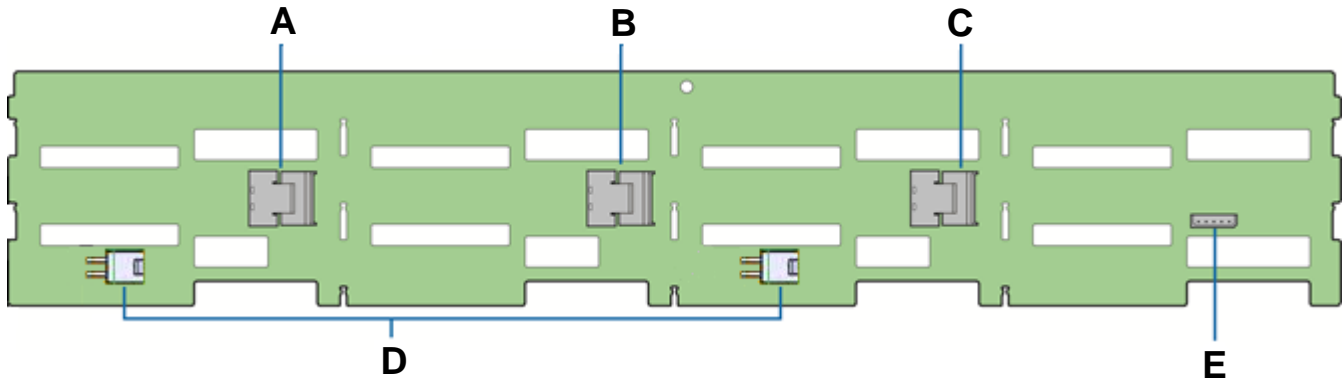
- 8x3.5" HSBP - **F2U8X35S3HSBP**
- 12x3.5" HSBP – **F2U12X35S3HSBP**

Depending on the model, the system can support either eight or twelve 3.5" form factor drives. 2.5" SSDs can also be installed by mounting them into the provided drive tray inserts. Both hard disks and SSDs can be supported.

On the front side of each backplane are mounted eight or twelve 29-pin drive interface connectors. Each connector is capable of supporting 12 Gb/sec SAS and 6 Gb/sec SAS / SATA drives and provides both power and I/O signals to the attached devices. Both hard disks and Solid State Devices (SSDs) can be supported within a common backplane. Each backplane can support either SATA or SAS devices. Each set of four hard drive interface connectors are routed to a single multiport mini-SAS HD connector on the backside of the backplane.



Note: Letters in parenthesis denote references to connectors on the backside of the backplane as illustrated in the following diagram



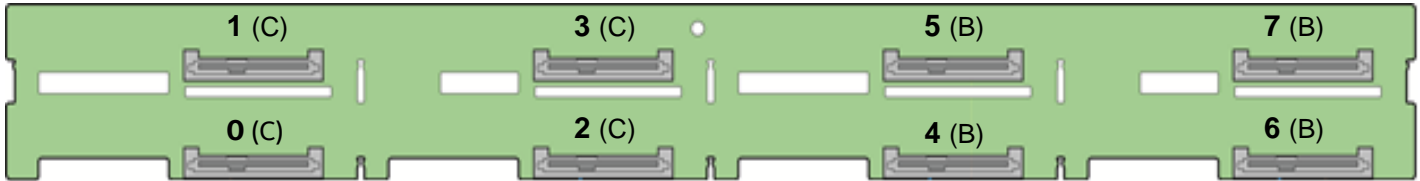
Label	Description
A	4-port mini-SAS HD connector – Drives 8 - 11
B	4-port mini-SAS HD connector – Drives 4 - 7
C	4-port mini-SAS HD connector – Drives 0 - 3
D	Power connectors
E	I2C connector

Figure 59. 12 x 3.5" HSBP Connector Identification

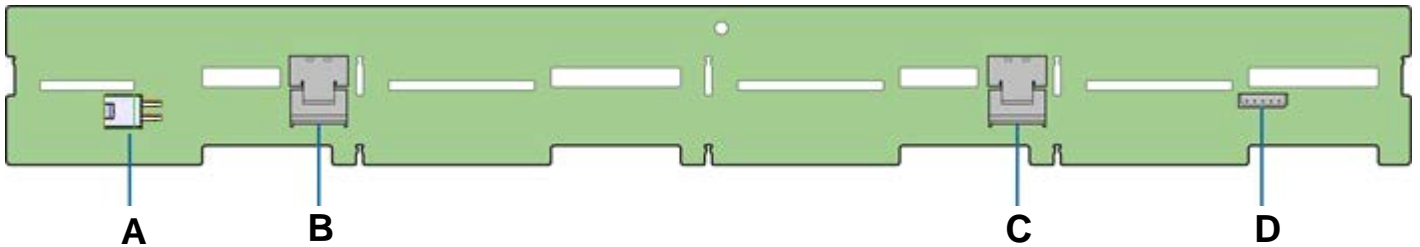
A, B, & C – 4-port Mini-SAS HD Connectors – The 12 x drive backplane includes three multi-port mini-SAS cable connectors, each providing SGPIO and I/O signals for four SAS/SATA drives on the backplane. Cables can be routed from matching connectors on the server board, add-in SAS/SATA RAID cards, or an optionally installed SAS expander card. Each mini-SAS HD connector will include a silk-screen identifying which drives the connector supports; Drives 0-3, Drives 4-7, and Drives 8-11.

D – Power Harness Connector - The backplane includes a 2x2 connector supplying power to the backplane. Power is routed to the backplane via a power cable harness from the server board

E- I2C Cable Connectors – The backplane includes a 1x5 cable connector used as a management interface to the server board.



Note: Letters in parenthesis denote references to connectors on the backside of the backplane as illustrated in the following diagram.



Label	Description
A	Power connectors
B	4-port mini-SAS HD connector – Drives 4 - 7
C	4-port mini-SAS HD connector – Drives 0 - 3
D	I2C connector

Figure 60. 8 x 3.5" HSBP Connector Identification

A – Power Harness Connector - The backplane includes a 2x2 connector supplying power to the backplane. Power is routed to the backplane via a power cable harness from the server board

B & C – 4-port Mini-SAS HD Connectors – The 8 x drive backplane includes two multi-port mini-SAS cable connectors, each providing SGPIO and I/O signals for four SAS/SATA hard drives on the backplane. Cables can be routed from matching connectors on the server board, add-in SAS/SATA RAID cards, or an optionally installed SAS expander card. Each mini-SAS HD connector will include a silk-screen identifying which drives the connector supports; Drives 0-3, and Drives 4-7.

D – I2C Cable Connector – The backplane includes a 1x5 cable connector used as a management interface to the server board.

6.7 2 x 2.5" Hot Swap Drive Bay Accessory Kit

Intel Accessory Kit Product Code: **A2UREARHSDK**

The 2U product family provides the option to support two 6 Gb/sec hot swap SATA SSDs installed to a modular drive bay mounted in the back of the system.

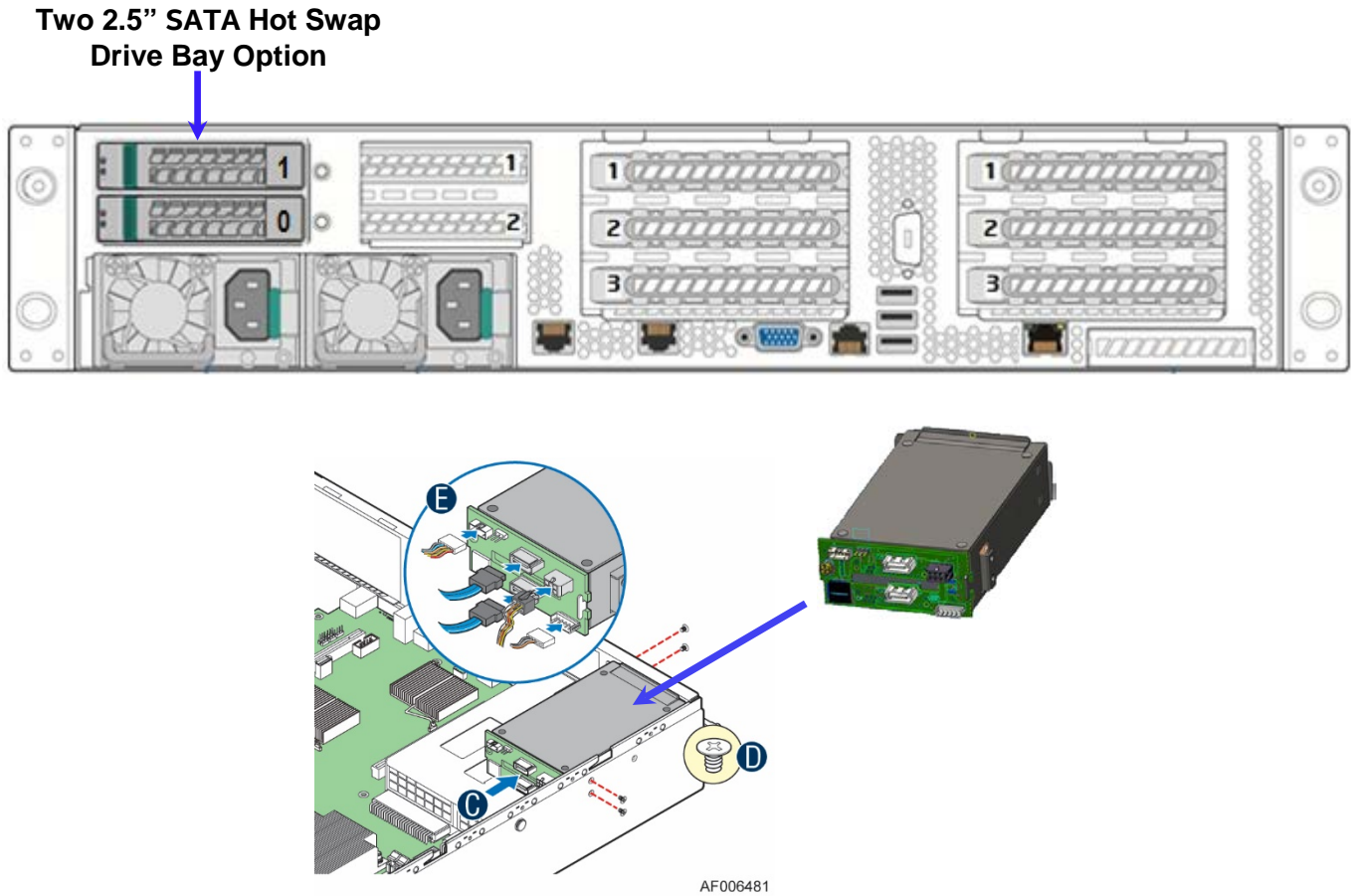


Figure 61. 2 x 2.5" Rear Mount Backplane Kit Placement

Supported SATA SSDs must not exceed the following power and thermal limits:

- 1 or 2 SATA SSDs supporting up to 4W per device with a case temperature rating of 70 degree C
- 1 or 2 SATA SSDs supporting up to 1.5W per device with a case temperature rating of 60 degree C

Note – The maximum supported SSD power and thermal limits documented above, were derived based on thermal testing using a maximum system configuration with fan redundancy support operating at ambient input air temp of 35°C. The test system was based on the system models utilizing a maximum number of front and rear drive storage devices – 12 x 3.5" or 24 x 2.5" in the front + 2 x 2.5" in the back

- Because of thermal limits in this area of the chassis, the rear hot swap drive bay option cannot support the thermal requirements to support hard disk drives in any system configuration.

By lowering the maximum supported ambient air temperature to 27°C, and limiting the system configuration to support 8 or 16 devices up front and no storage devices configured on the air duct, supported SATA SSDs must not exceed the following power and thermal limits:

- 1 or 2 SATA SSDs supporting up to 6.4W per device with a case temperature rating of 70 degree C
- 1 or 2 SATA SSDs supporting up to 3.6W per device with a case temperature rating of 60 degree C

The backplane includes several connectors and a jumper block, as defined in the following illustrations.

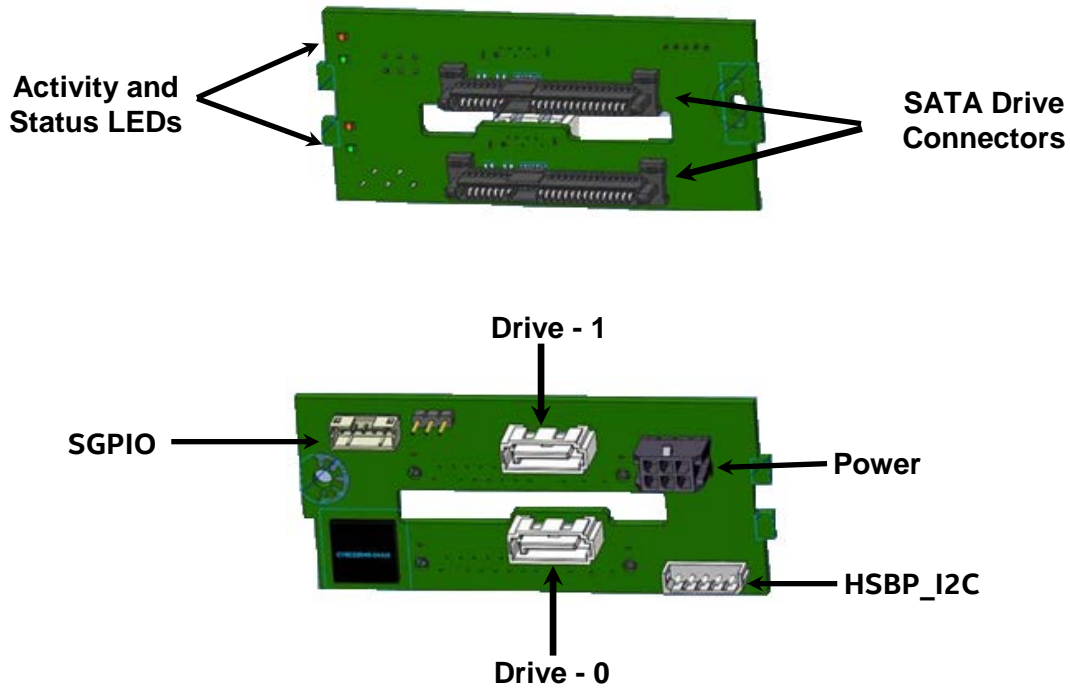


Figure 62. 2 x 2.5" Hot Swap Backplane

- **Activity / Status LEDs** – The backplane includes LEDs for both activity and status for each drive.
- **SATA Drive Connectors** – The backplane includes two hot-swap capable SATA drive connectors
- **7-pin SATA Cable Connectors** – The backplane includes two 7-pin connectors capable of supporting a SATA interface. The following table defines the pin out for these connectors:

PIN	SIGNAL
1	GND
2	SAS_SATA_TX_P
3	SAS_SATA_TX_N
4	GND
5	SAS_SATA_RX_N
6	SAS_SATA_RX_P
7	GND

- **Power Connector** – The backplane includes a 2x3 pin power connector. The following table defines the pin out for this connector:

PIN	SIGNAL	SIGNAL	PIN
4	P12V	P5V	1
5	P3V3	P5V	2
6	GND	GND	3

- **I2C connector** – The backplane includes a 1x5 pin I2C connector. This connector is cabled to a matching HSBP I2C connector on the server board and is used as a communication path to the onboard BMC. The following table defines the pin out for this connector:

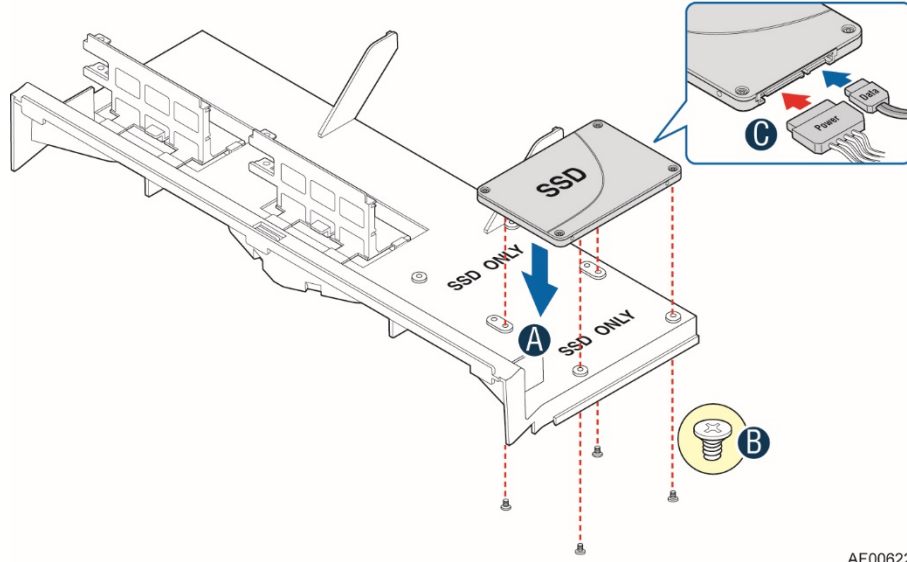
PIN	SIGNAL
1	SMB_3V3SB_DAT
2	GND
3	SMB_3V3SB_CLK
4	SMB_ADD0
5	SMB_ADD1

- **SGPIO Connector** – The backplane includes a 1x5 pin SGPIO connector. When the backplane is cabled to the on-board SATA ports, this connector is cabled to a matching SGPIO connector on the server board, and provides support for drive activity and fault LEDs. The following table defines the pin out for this connector:

PIN	SIGNAL
1	SGPIO_CLOCK
2	SGPIO_LoAD
3	GND
4	SGPIO_DATAOUT
5	SGPIO_DATAIN

6.8 Internal – Fixed Mount Solid State Drive (SSD) Support

The system can support up to two internal fixed mount 2.5" Solid State Drives (SSD). Each drive is attached to the top side of the air duct as illustrated below.



AF006228

Figure 63. 2.5" Solid State Drive (SSD) Mounting Option

SSDs mounted to the air duct must not exceed the following power and thermal limits.

- Up to 6.2W per SATA SSD (1 or 2) with a 70 degree C case temperature
- Up to 2.3W per SATA SSD (1 or 2) with a 60 degree C case temperature

NOTE: Maximum supported SSD power and thermal limits were derived based on thermal testing using a maximum system configuration with fan redundancy support using a maximum ambient temperature of 35°C. The test system was based on the system models utilizing a maximum number of front and rear drive storage devices – 12 x 3.5" or 24 x 2.5" in the front + 2 x 2.5" in the back. Higher SSD power and thermal limits maybe possible with system configurations that support 8 or 16 devices up front, no storage devices configured in back, and lowering the maximum operating ambient temperature.

NOTE: Mounting standard hard disk drives to the CPU air duct is NOT a supported configuration. Mounting hard disk drives to the CPU air duct may cause data loss, performance degradation, and premature drive failures.

A 2x3 pin power connector on the server board labeled "Peripheral PWR" is designed to provide power to both SSDs or a single SSD and an optical drive. Using the supplied power harness, one power lead is routed to the optical drive bay, and two longer power leads are routed to the SSDs. SATA signals for one SSD and one optical drive or two SSDs, are cabled from the two white 7-pin AHCI SATA connectors on the server board.

6.9 Low Profile eUSB SSD Support

The system provides support for a low profile eUSB SSD storage device. A 2mm 2x5-pin connector labeled “eUSB SSD” near the rear I/O section of the server board is used to plug this small flash storage device into.

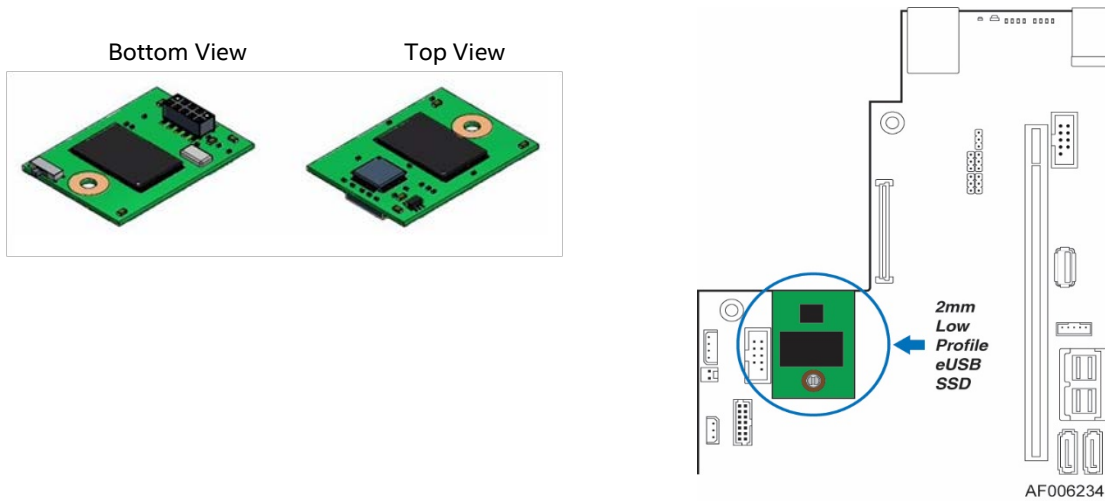


Figure 64. Low Profile eUSB SSD Support

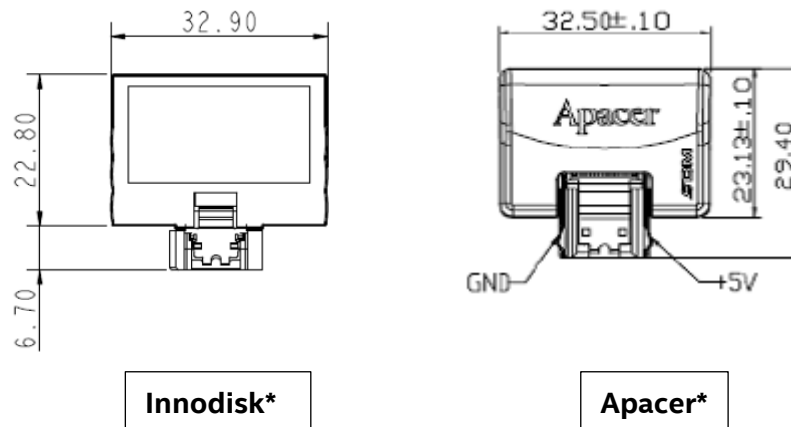
eUSB features include:

- 2 wire small form factor Universal Serial Bus 2.0 (Hi-Speed USB) interface to host
- Read Speed up to 35 MB/s and write Speed up to 24 MB/s
- Capacity range from 256 MB to 32 GB
- Support USB Mass Storage Class requirements for Boot capability

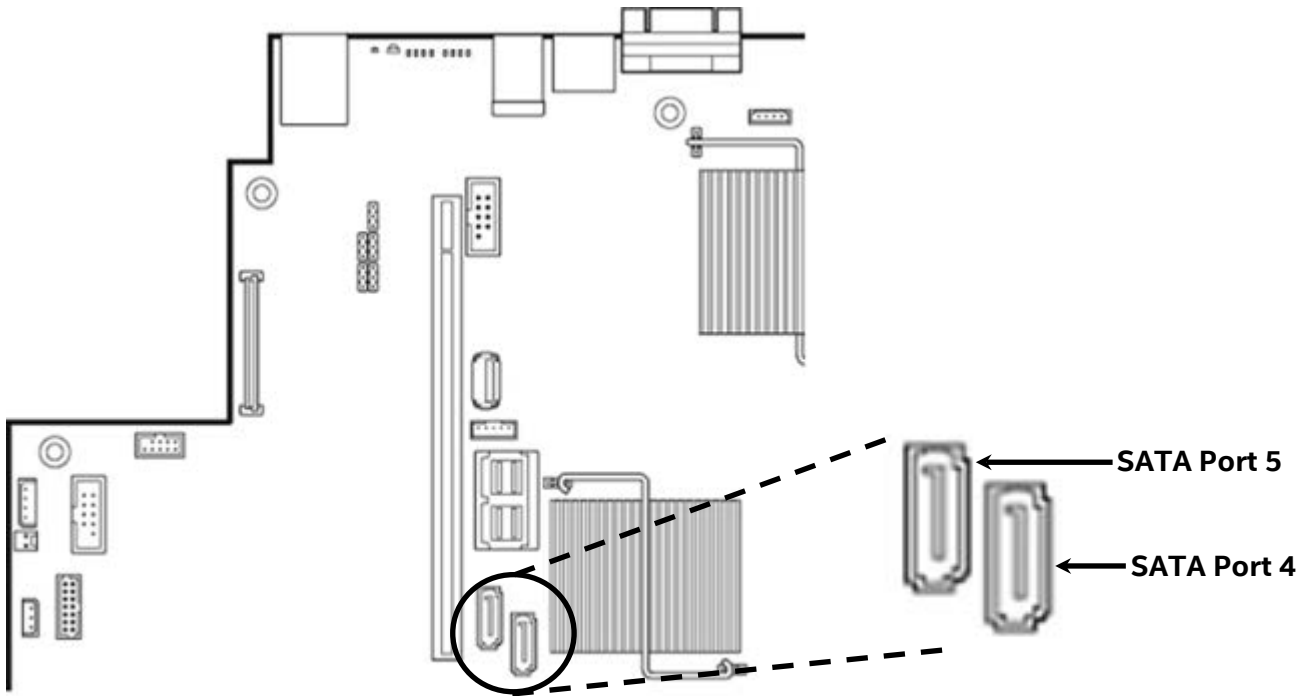
6.10 SATA DOM Support

The system has support for up to two vertical low profile Disk-on-Module (DOM) devices. Supported SATADOMs for this server board include those from Apacer* or Innodisk*.

Note: In this server system, SATADOMs from Innodisk* must have firmware version S130710 or later.



Each installed SATA DOM plugs directly into one of the white single port SATA connectors on the server board, which provide both power and I/O signals.



Each single port SATA connector has the following 7 + 2 pinout

PIN	SIGNAL
PWR 2	GND
1	GND
2	SATAx_TX_DP
3	SATAx_TX_DN
4	GND
5	SATAx_RX_DN
6	SATAx_RX_DP
7	GND
PWR 1	5V

Visit <https://serverconfigurator.intel.com> for a list of supported SATA DOM devices.

7. Storage Controller Options Overview

The server platform supports many different embedded and add-in SAS/SATA controller and SAS Expander options to provide a large number of possible storage configurations. This section will provide an overview of the different options available.

7.1 Embedded SATA / SATA RAID support

The server board includes two chipset embedded AHCI SATA controllers, identified as **SATA** and **sSATA**, providing for up to ten 6 Gb/sec Serial ATA (SATA) ports.

The AHCI **SATA** controller provides support for up to six SATA ports on the server board

- Four SATA ports from the Mini-SAS HD (SFF-8643) connector labeled “**SATA Ports 0-3**” on the server board
- Two SATA ports accessed via two white single port connectors labeled “**SATA-4**” and “**SATA-5**” on the server board

The AHCI **sSATA** controller provides support for up to four SATA ports on the server board

- Four SATA ports from the Mini-SAS HD (SFF-8643) connector labeled “**sSATA Ports 0-3**” on the server board

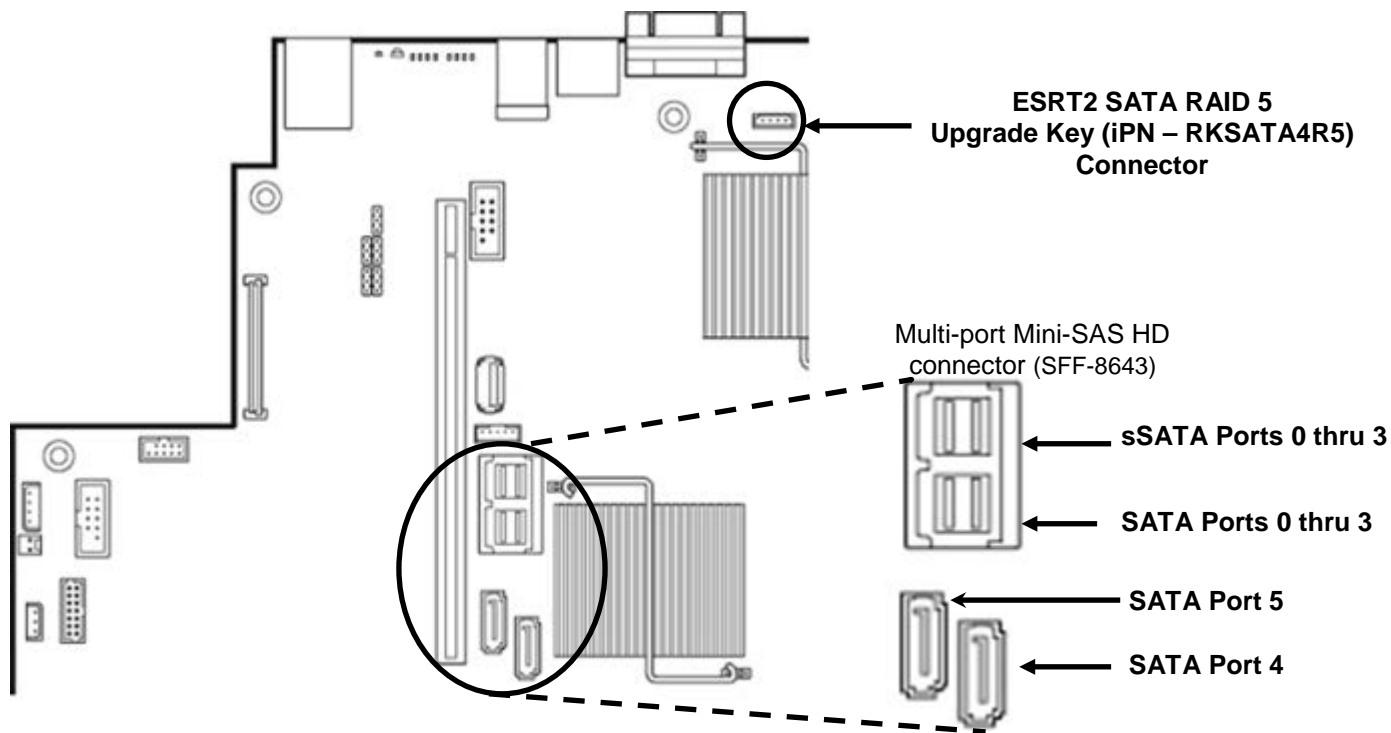


Figure 65. Onboard SATA Features

Note: the onboard SATA controllers are not compatible with and cannot be used with RAID Expander Cards.

Table 40. SATA and sSATA Controller Feature Support

Feature	Description	AHCI / RAID Disabled	AHCI / RAID Enabled
Native Command Queuing (NCQ)	Allows the device to reorder commands for more efficient data transfers	N/A	Supported
Auto Activate for DMA	Collapses a DMA Setup then DMA Activate sequence into a DMA Setup only	N/A	Supported
Hot Plug Support	Allows for device detection without power being applied and ability to connect and disconnect devices without prior notification to the system	N/A	Supported
Asynchronous Signal Recovery	Provides a recovery from a loss of signal or establishing communication after hot plug	N/A	Supported
6 Gb/s Transfer Rate	Capable of data transfers up to 6 Gb/s	Supported	Supported
ATAPI Asynchronous Notification	A mechanism for a device to send a notification to the host that the device requires attention	N/A	Supported
Host & Link Initiated Power Management	Capability for the host controller or device to request Partial and Slumber interface power states	N/A	Supported
Staggered Spin-Up	Enables the host the ability to spin up hard drives sequentially to prevent power load problems on boot	Supported	Supported
Command Completion Coalescing	Reduces interrupt and completion overhead by allowing a specified number of commands to complete and then generating an interrupt to process the commands	Supported	N/A

The SATA controller and the sSATA controller can be independently enabled and disabled and configured through the <F2> BIOS Setup Utility under the “Mass Storage Controller Configuration” menu screen. The following table identifies supported setup options.

Table 41. SATA and sSATA Controller BIOS Utility Setup Options

SATA Controller	sSATA Controller	Supported
AHCI	AHCI	Yes
AHCI	Enhanced	Yes
AHCI	Disabled	Yes
AHCI	RSTe	Yes
AHCI	ESRT2	Microsoft* Windows Only
Enhanced	AHCI	Yes
Enhanced	Enhanced	Yes
Enhanced	Disabled	Yes
Enhanced	RSTe	Yes
Enhanced	ESRT2	Yes
Disabled	AHCI	Yes
Disabled	Enhanced	Yes
Disabled	Disabled	Yes
Disabled	RSTe	Yes

SATA Controller	sSATA Controller	Supported
Disabled	ESRT2	Yes
RSTe	AHCI	Yes
RSTe	Enhanced	Yes
RSTe	Disabled	Yes
RSTe	RSTe	Yes
RSTe	ESRT2	No
ESRT2	AHCI	Microsoft* Windows Only
ESRT2	Enhanced	Yes
ESRT2	Disabled	Yes
ESRT2	RSTe	No
ESRT2	ESRT2	Yes

Staggered Disk Spin-Up

Because of the high density of disk drives that can be attached to the C610 Onboard AHCI SATA Controller and the sSATA Controller, the combined startup power demand surge for all drives at once can be much higher than the normal running power requirements and could require a much larger power supply for startup than for normal operations.

In order to mitigate this and lessen the peak power demand during system startup, both the AHCI SATA Controller and the sSATA Controller implement a Staggered Spin-Up capability for the attached drives. This means that the drives are started up separately, with a certain delay between disk drives starting.

For the Onboard SATA Controller, Staggered Spin-Up is an option – AHCI HDD Staggered Spin-Up – in the Setup Mass Storage Controller Configuration screen found in the <F2> BIOS Setup Utility

7.2 Embedded SATA SW-RAID support

The server board has embedded support for two SATA SW-RAID options:

- Intel® Rapid Storage Technology enterprise (RSTe) 4.1
- Intel® Embedded Server RAID Technology 2 (ESRT2) 1.41 based on AVAGO* MegaRAID SW RAID technology

Using the <F2> BIOS Setup Utility, accessed during system POST, options are available to enable/disable SW RAID, and select which embedded software RAID option to use.

Note: RAID partitions created using either RSTe or ESRT2 cannot span across the two embedded SATA controllers. Only drives attached to a common SATA controller can be included in a RAID partition.

See Table 2 for a list of supported Operating Systems.

Intel® Rapid Storage Technology (RSTe) 4.1

Intel® Rapid Storage Technology offers several options for RAID (Redundant Array of Independent Disks) to meet the needs of the end user. AHCI support provides higher performance and alleviates disk bottlenecks by taking advantage of the independent DMA engines that each SATA port offers in the chipset.

- **RAID Level 0** – Non-redundant striping of drive volumes with performance scaling of up to 6 drives, enabling higher throughput for data intensive applications such as video editing.
- Data security is offered through **RAID Level 1**, which performs mirroring.
- **RAID Level 10** provides high levels of storage performance with data protection, combining the fault-tolerance of RAID Level 1 with the performance of RAID Level 0. By striping RAID Level 1 segments, high I/O rates can be achieved on systems that require both performance and fault-tolerance. RAID Level 10 requires 4 hard drives, and provides the capacity of two drives.
- **RAID Level 5** provides highly efficient storage while maintaining fault-tolerance on 3 or more drives. By striping parity, and rotating it across all disks, fault tolerance of any single drive is achieved while only consuming 1 drive worth of capacity. That is, a 3 drive RAID 5 has the capacity of 2 drives, or a 4 drive RAID 5 has the capacity of 3 drives. RAID 5 has high read transaction rates, with a medium write rate. RAID 5 is well suited for applications that require high amounts of storage while maintaining fault tolerance.

Note: RAID configurations cannot span across the two embedded AHCI SATA controllers.

By using Intel® RSTe, there is no loss of PCI resources (request/grant pair) or add-in card slot. Intel® RSTe functionality requires the following:

- The SW-RAID option must be enable in <F2> BIOS Setup
- Intel® RSTe option must be selected in <F2> BIOS Setup
- Intel® RSTe drivers must be loaded for the installed operating system
- At least two SATA drives needed to support RAID levels 0 or 1
- At least three SATA drives needed to support RAID level 5
- At least four SATA drives needed to support RAID level 10

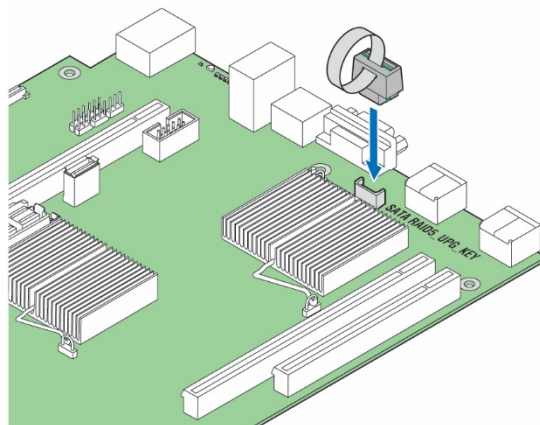
With Intel® RSTe SW-RAID enabled, the following features are made available:

- A boot-time, pre-operating system environment, text mode user interface that allows the user to manage the RAID configuration on the system. Its feature set is kept simple to keep size to a minimum, but allows the user to create and delete RAID volumes and select recovery options when problems occur. The user interface can be accessed by pressing the <CTRL-I> keys during system POST.
- Provides boot support when using a RAID volume as a boot disk. It does this by providing Int13 services when a RAID volume needs to be accessed by MS-DOS applications (such as NTLDR) and by exporting the RAID volumes to the System BIOS for selection in the boot order
- At each boot up, provides the user with a status of the RAID volumes

Intel® Embedded Server RAID Technology 2 (ESRT2) 1.41

Features of ESRT2 include the following:

- Based on Avago* MegaRAID Software Stack
- Software RAID with system providing memory and CPU utilization
- **RAID Level 0** - Non-redundant striping of drive volumes with performance scaling up to 6 drives, enabling higher throughput for data intensive applications such as video editing.
- Data security is offered through **RAID Level 1**, which performs mirroring.
- **RAID Level 10** provides high levels of storage performance with data protection, combining the fault-tolerance of RAID Level 1 with the performance of RAID Level 0. By striping RAID Level 1 segments, high I/O rates can be achieved on systems that require both performance and fault-tolerance. RAID Level 10 requires 4 hard drives, and provides the capacity of two drives
- Optional support for **RAID Level 5**
 - Enabled with the addition of an optionally installed ESRT2 SATA RAID 5 Upgrade Key (**iPN - RKSATA4R5**)
 - **RAID Level 5** provides highly efficient storage while maintaining fault-tolerance on 3 or more drives. By striping parity, and rotating it across all disks, fault tolerance of any single drive is achieved while only consuming 1 drive worth of capacity. That is, a 3 drive RAID 5 has the capacity of 2 drives, or a 4 drive RAID 5 has the capacity of 3 drives. RAID 5 has high read transaction rates, with a medium write rate. RAID 5 is well suited for applications that require high amounts of storage while maintaining fault tolerance



AF006246

Figure 66. SATA RAID 5 Upgrade Key

- Maximum drive support = 6 (Maximum on-board SATA port support)
- Open Source Compliance = Binary Driver (includes Partial Source files) or Open Source using MDRAID layer in Linux*.

Note: RAID configurations cannot span across the two embedded AHCI SATA controllers.

7.3 Intel® Integrated RAID Module Support

The system has support for many Intel and 3rd party PCIe add-in 6G and 12 Gb/s RAID adapters which can be installed in available PCIe add-in cards slots. For system configurations with limited add-in card slot availability, an optional Intel® Integrated RAID mezzanine module can be installed onto a high density 80-pin connector (labeled “SAS Module”) on the server board.

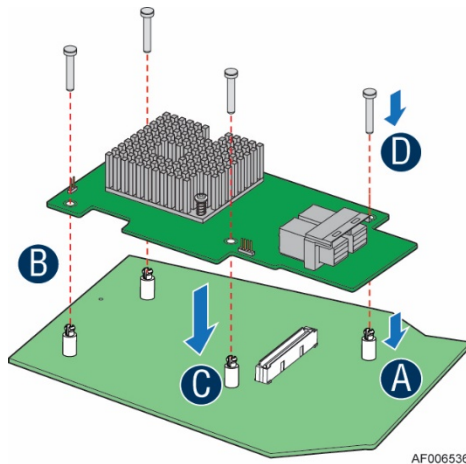


Figure 67. Intel® Integrated RAID Module

Please visit the Intel® Server Configurator Tool at the following website for a list of supported Intel® Integrated RAID options:

<https://serverconfigurator.intel.com>

Intel® RAID Maintenance Free Backup Unit (AXXRMFBUs) Support

The 2U system provides mounting plate options to support the concurrent installation of up to five possible Intel® RAID Maintenance Free Backup Units (RMFBUs).

All 2U system/chassis models will include a mounting plate capable of supporting up to three AXXRMFBUs or later modules or up to two older AXXRMFBUs2 modules + one AXXRMFBUs4 or later module. The mounting plate is attached to the air duct using fastener screws, then each RMFBUs module is snapped into place. The triple RMFBUs mounting plate cannot be used if SSDs are mounted to the air duct.

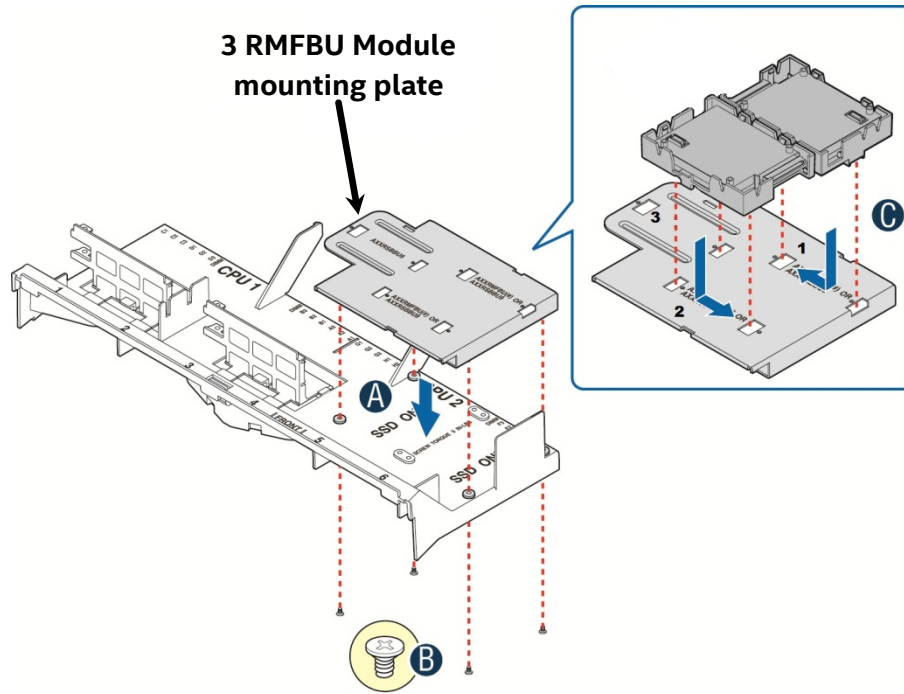


Figure 68. Triple RMFBU (Default) Mounting Bracket Installation

Available as an accessory kit option (Intel Product Code AWTAUXBBUBKT), is a mounting plate supporting up to two RMFBU modules (AXXRMFBU2 or later). This option is attached to the air duct in two possible mounting locations as shown below.

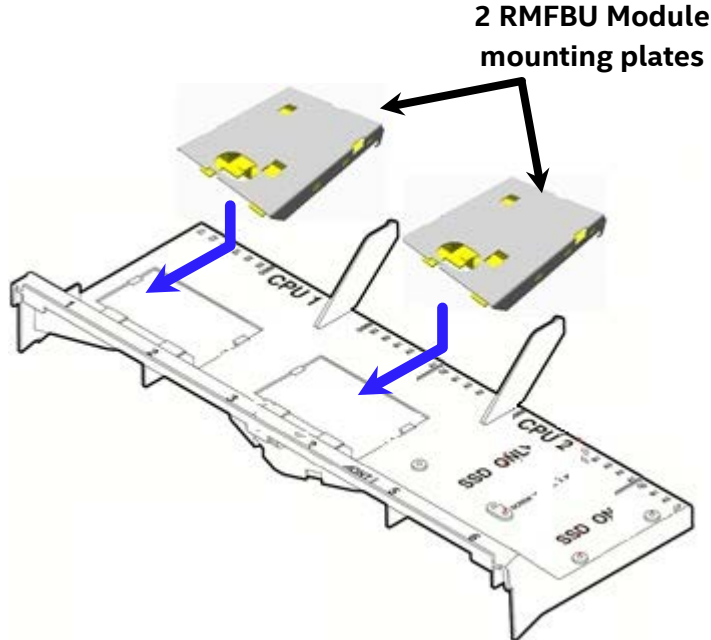


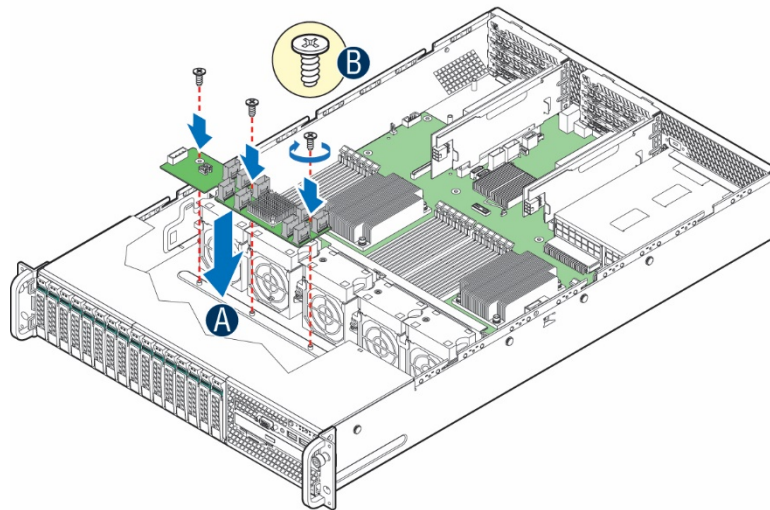
Figure 69. Dual RMFBU Mounting Bracket Installation

NOTE: the 2 RMFBU node mounting plates cannot be installed if a full length PCIe add-in card is installed in the adjacent riser card or if the Intel® Xeon Phi™ shipping bracket is installed in the system.

7.4 Intel® RAID Expander Card Support

System configurations consisting of more than 8 drives may require the addition of a SAS Expander card. In the 2U 16x2.5" or 24x2.5" system configurations, a SAS expander can be mounted in the area directly behind the drive bays.

Note: the onboard SATA controllers are not compatible with and cannot be used with RAID Expander Cards.




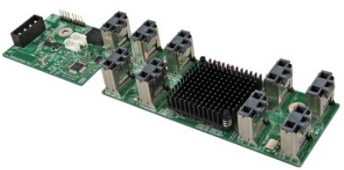


AF004624

In the 2U 12x3.5" system configuration, the SAS expander must be installed in any available PCIe add-in slot.

Intel makes available the following RAID Expander Cards.

Table 42. Intel® SAS RAID Expander Support

Intel Product Code	Product Description
<p>iPC – RES3FV288</p>  <p>Intel® RAID Expander RES3FV288</p>	<p>SAS 3.0 12 Gb/s expander</p> <ul style="list-style-type: none"> • Featuring 6Gbps data aggregation for 12Gbps data transfer with 6Gb/s devices • Low Profile MD2 PCIe* add-in card form factor • 28 internal ports and 8 external ports • Redundant dual-port capable for HA and high performance systems • Power from PCIe x1 • HD Mini-SAS 8643 Connectors <p>Kit includes: (1) SAS Expander card, (2) HD-HD 250mm Expander-to-RAID card cables, PCI brackets for Low profile and Full height</p>
<p>iPC – RES2SV240</p>  <p>Intel® RAID Expander RES2SV240</p>	<p>SAS 2.0 6 Gb/s expander</p> <ul style="list-style-type: none"> • Low Profile MD2 PCIe* add-in card form factor • 24 Port 6Gb expander card with ports configurable for input or output • Power from PCIe x1 or 4-pin connector • Mini-SAS 8087 connectors <p>Kit includes: (1) 6 Gb/s SAS Expander card, (2) MS-MS 300mm Expander-to-6Gb/s RAID card cables, PCI brackets for Low profile and Full height , (4) MS-MS 650mm Expander-to-Backplane cables (cables not compatible in R2312WTxxx system)</p>
<p>iPC – RES3TV360</p>  <p>Intel® RAID Expander RES3TV360</p>	<ul style="list-style-type: none"> • SAS 3.0 12 Gb/s expander featuring 6Gbps data aggregation for 12Gbps data transferwith 6Gb/s devices • Internal mount mid-plane form factor • 36 internal ports supporting point-to-pont 12, 6, and 3 Gb/s data transfer rates • RA 4-pin power connector • HD Mini-SAS 8643 Connectors <p>Kit includes: (1) SAS expander card; (1) 130mm Power cable; (1 set) Expander-to-backplane cables: (4) HD-HD 165mm, (1) HD-HD 300mm, (1) HD-HD 250mm; (3) Rubber Pads; mounting screws</p>
<p>iPC – RES2CV360</p>  <p>Intel® RAID Expander RES2CV360</p>	<ul style="list-style-type: none"> • SAS 2.0 6 Gb/s expander • Internal mount mid-plane form factor • 36 Port 6Gb expander card with ports configurable for input or output • Power from 4-pin connector • Mini-SAS 8087 connectors <p>Kit includes: (1) 6 Gb/s SAS Expander card; (1) 130mm power cable; (3) rubber mounting pads; (1 set) 6 Gb Expander to 6 Gb bacplane cables: (3) MS-MS 165mm, (2) MS-MS 185mm, (1) MS-MS 245mm (NOTE: included data cables not compatible in R2312WT... system)</p>

For additional information on the Intel® RAID Expander Cards, please reference the appropriate *Intel® RAID Expander Card Users Guide*.

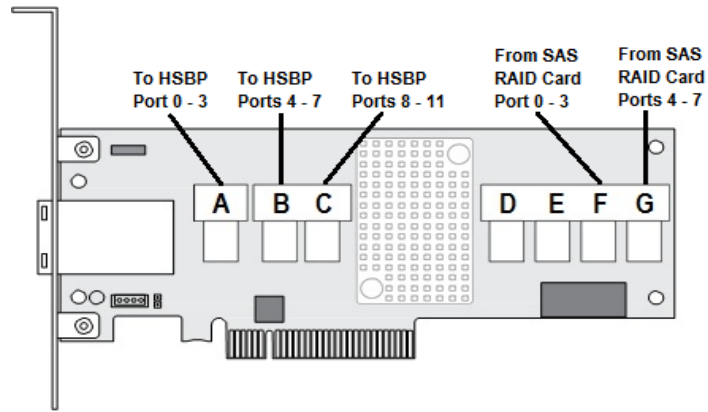


Figure 70. Intel® RAID Expander RES3FV288 Connector Identification

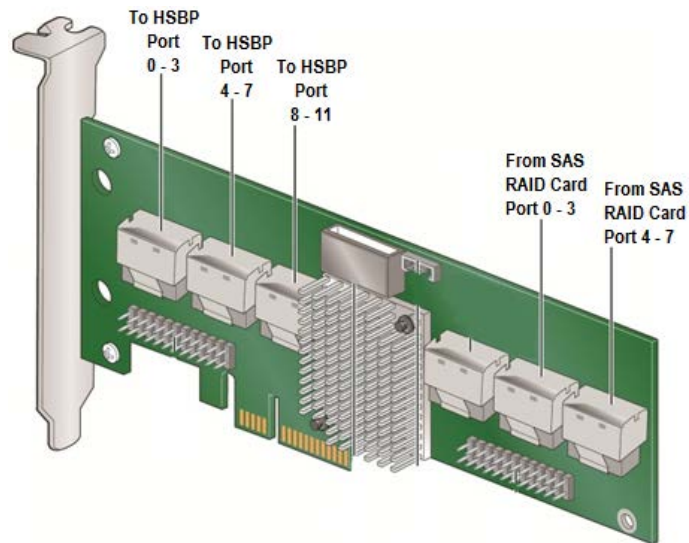


Figure 71. Intel® RAID Expander RES2SV240 Connector Identification

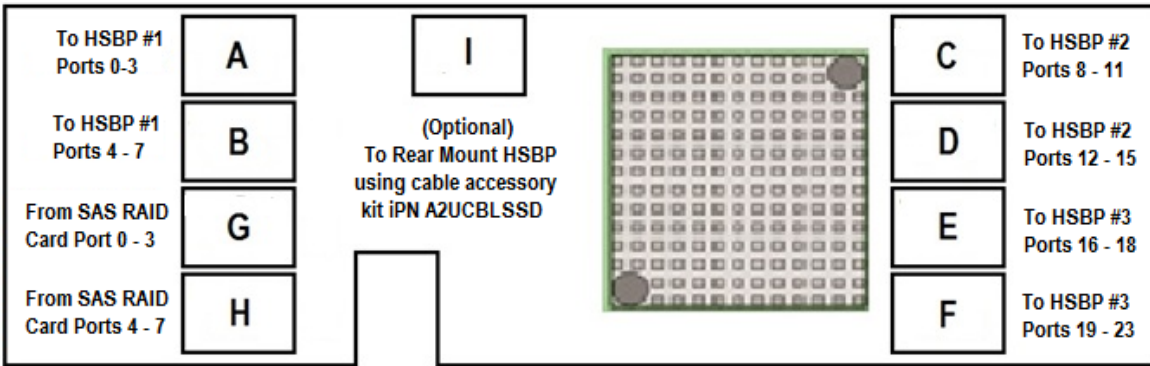


Figure 72. – 12Gb Internal 36-Port Intel® RAID Expander Card RES3TV360 - Connector Identification Block Diagram

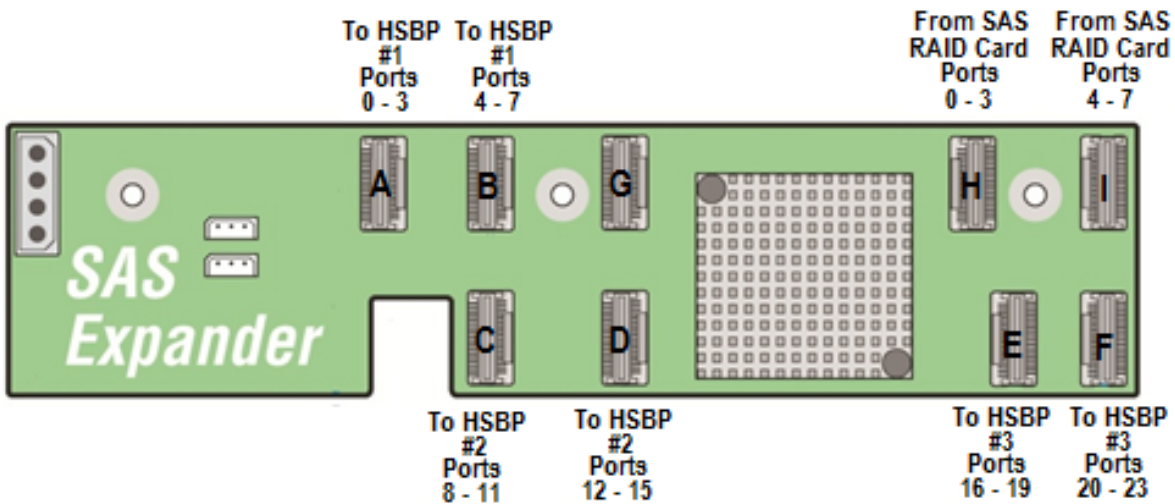


Figure 73. – 6 Gb Internal 36-Port Intel® RAID Expander Card RES2CV360 - Connector Identification Block Diagram

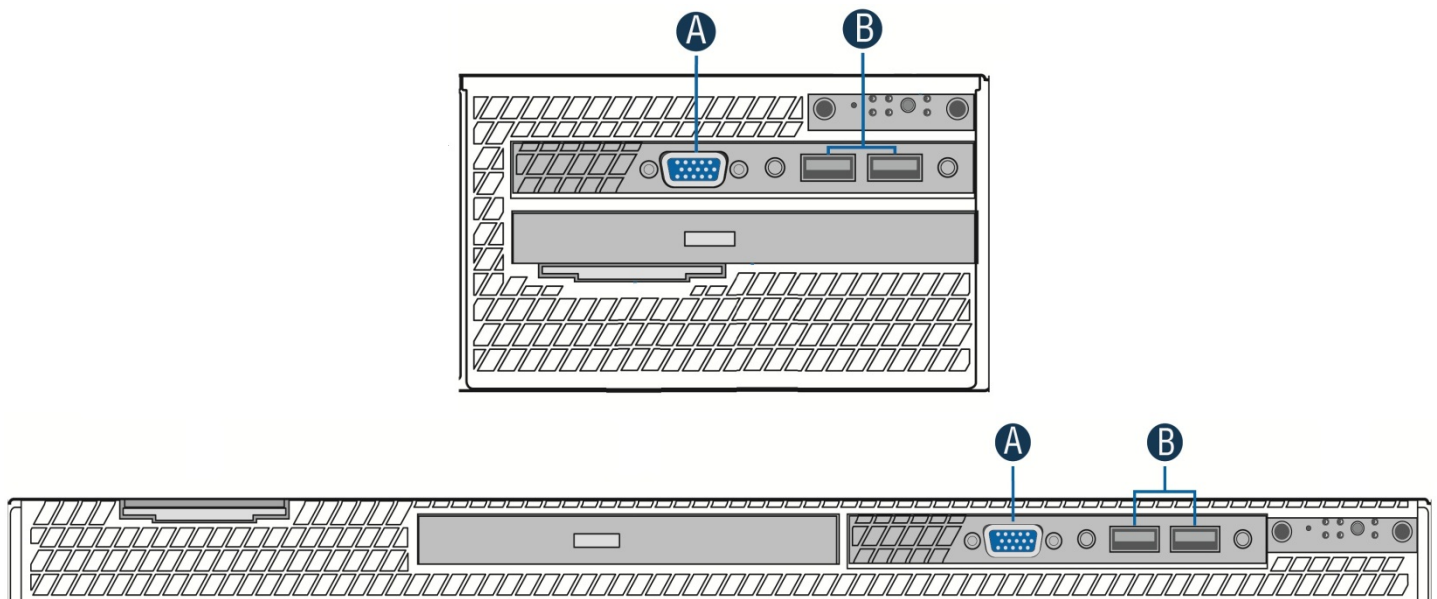
See the *Intel® Server S2600WT Product Family Configuration Guide and Spares/Accessories List Rev 2.0* or later for SAS cabling requirements.

For system cable routing diagrams, see Appendix E at the end of this document.

8. Front Control Panel and I/O Panel Overview

All system configurations will include a Control Panel on the front of the system providing push button system controls and LED indicators for several system features. Systems configured with eight 3.5" hard drive bays or up to sixteen 2.5" hard drive bays will also include an I/O Panel providing additional system I/O features. This section describes the features and functions of both front panel options.

8.1 I/O Panel Features



Label	Description
A	Video connector
B	USB 2.0/3.0 ports

Figure 74. Front I/O Panel Features

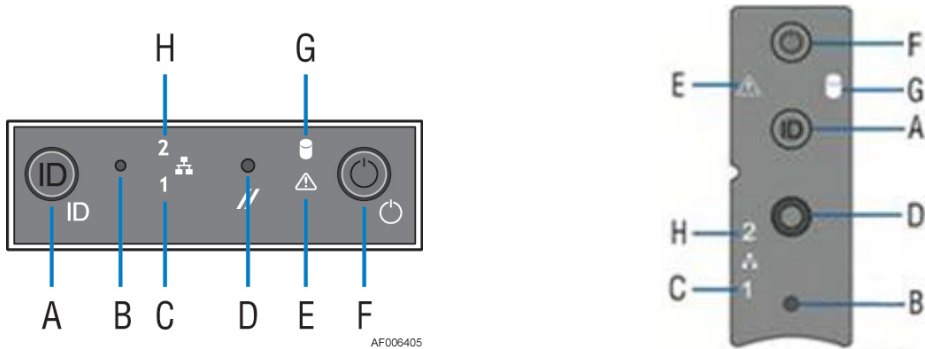
A – Video connector – The front I/O Panel video connector gives the option of attaching a monitor to the front of the system. When BIOS detects that a monitor is attached to the front video connector, it disables the video signals routed to the on-board video connector on the back of the system. Video resolutions from the front video connector may be lower than that of the rear on-board video connector. A short video cable should be used for best resolution. The front video connector is cabled to a 2x7 header on the server board labeled “FP Video”.

B – USB 2.0/3.0 Ports –The front I/O panel includes two USB 2.0/3.0 ports. The USB ports are cabled to a Blue 2x5 connector on the server board labeled “FP_USB”.

**** Note:** Due to signal strength limits associated with USB 3.0 ports cabled to a front panel, some marginally compliant USB 3.0 devices may not be supported from these ports. In addition, server systems based on the Intel® Server Board S2600WT cannot be USB 3.0 certified with USB 3.0 ports cabled to a front panel.

8.2 Control Panel Features

The system includes a control panel that provides push button system controls and LED indicators for several system features. Depending on the hard drive configuration, the front control panel may come in either of two formats; however, both provide the same functionality. This section will provide a description for each front control panel feature.



Label	Description	Label	Description
A	System ID Button w/Integrated LED	F	Power / Sleep Button w/Integrated LED
B	NMI Button (recessed, tool required for use)	G	Hard Drive Activity LED
C	NIC-1 Activity LED	H	NIC-2 Activity LED
D	System Cold Reset Button (recessed, tool required for use on non-storage models)		
E	System Status LED		

Figure 75. Front Control Panel Features

A – System ID Button w/Integrated LED – Toggles the integrated ID LED and the Blue server board ID LED on and off. The System ID LED is used to identify the system for maintenance when installed in a rack of similar server systems. The System ID LED can also be toggled on and off remotely using the IPMI “Chassis Identify” command which will cause the LED to blink for 15 seconds.

B – NMI Button – When the NMI button is pressed, it puts the server in a halt state and issues a non-maskable interrupt (NMI). This can be useful when performing diagnostics for a given issue where a memory download is necessary to help determine the cause of the problem. To prevent an inadvertent system halt, the actual NMI button is located behind the Front Control Panel faceplate where it is only accessible with the use of a small tipped tool like a pin or paper clip.

C, D, I and J – Network Activity LEDs – The Front Control Panel includes an activity LED indicator for each on-board Network Interface Controller (NIC). When a network link is detected, the LED will turn on solid. The LED will blink once network activity occurs at a rate that is consistent with the amount of network activity that is occurring.

E – System Cold Reset Button – When pressed, this button will reboot and re-initialize the system.

F – System Status LED – The System Status LED is a bi-color (Green/Amber) indicator that shows the current health of the server system. The system provides two locations for this feature; one is located on the Front Control Panel, the other is located on the back edge of the server board, viewable from the back of the system. Both LEDs are tied together and will show the same state. The System Status LED states are driven by the on-board platform management sub-system. The following table provides a description of each supported LED state.

Table 43. System Status LED State Definitions

Color	State	Criticality	Description
Off	System is not operating	Not ready	<ul style="list-style-type: none"> System is powered off (AC and/or DC). System is in EuP Lot6 Off Mode. System is in S5 Soft-Off State.
Green	Solid on	Ok	<p>Indicates that the System is running (in S0 State) and its status is 'Healthy'. The system is not exhibiting any errors. AC power is present and BMC has booted and manageability functionality is up and running.</p> <p>After a BMC reset, and in conjunction with the Chassis ID solid ON, the BMC is booting Linux*. Control has been passed from BMC uBoot to BMC Linux* itself. It will be in this state for ~10-~20 seconds</p>

Color	State	Criticality	Description
Green	~1 Hz blink	Degraded - system is operating in a degraded state although still functional, or system is operating in a redundant state but with an impending failure warning	<p>System degraded:</p> <ul style="list-style-type: none"> • Redundancy loss such as power-supply or fan. Applies only if the associated platform sub-system has redundancy capabilities. • Fan warning or failure when the number of fully operational fans is less than minimum number needed to cool the system. • Non-critical threshold crossed – Temperature (including HSBP temp), voltage, input power to power supply, output current for main power rail from power supply and Processor Thermal Control (Therm Ctrl) sensors. • Power supply predictive failure occurred while redundant power supply configuration was present. • Unable to use all of the installed memory (more than 1 DIMM installed). • Correctable Errors over a threshold and migrating to a spare DIMM (memory sparing). This indicates that the system no longer has spared DIMMs (a redundancy lost condition). Corresponding DIMM LED lit. • In mirrored configuration, when memory mirroring takes place and system loses memory redundancy. • Battery failure. • BMC executing in uBoot. (Indicated by Chassis ID blinking at 3Hz). System in degraded state (no manageability). BMC uBoot is running but has not transferred control to BMC Linux*. Server will be in this state 6-8 seconds after BMC reset while it pulls the Linux* image into flash. • BMC Watchdog has reset the BMC. • Power Unit sensor offset for configuration error is asserted. • HDD HSC is off-line or degraded.
Amber	~1 Hz blink	Non-critical - System is operating in a degraded state with an impending failure warning, although still functioning	<p>Non-fatal alarm – system is likely to fail:</p> <ul style="list-style-type: none"> • Critical threshold crossed – Voltage, temperature (including HSBP temp), input power to power supply, output current for main power rail from power supply and PROCHOT (Therm Ctrl) sensors. • VRD Hot asserted. • Minimum number of fans to cool the system not present or failed • Hard drive fault • Power Unit Redundancy sensor – Insufficient resources offset (indicates not enough power supplies present) • In non-sparing and non-mirroring mode if the threshold of correctable errors is crossed within the window

Color	State	Criticality	Description
Amber	Solid on	Critical, non-recoverable – System is halted	Fatal alarm – system has failed or shutdown: <ul style="list-style-type: none"> • CPU CATERR signal asserted • MSID mismatch detected (CATERR also asserts for this case). • CPU 1 is missing • CPU Thermal Trip • No power good – power fault • DIMM failure when there is only 1 DIMM present and hence no good memory present. • Runtime memory uncorrectable error in non-redundant mode. • DIMM Thermal Trip or equivalent • SSB Thermal Trip or equivalent • CPU ERR2 signal asserted • BMC/Video memory test failed. (Chassis ID shows blue/solid-on for this condition) • Both uBoot BMC FW images are bad. (Chassis ID shows blue/solid-on for this condition) • 240VA fault • Fatal Error in processor initialization: <ul style="list-style-type: none"> ○ Processor family not identical ○ Processor model not identical ○ Processor core/thread counts not identical ○ Processor cache size not identical ○ Unable to synchronize processor frequency ○ Unable to synchronize QPI link frequency • Uncorrectable memory error in a non-redundant mode

G – Power/Sleep Button – Toggles the system power on and off. This button also functions as a sleep button if enabled by an ACPI compliant operating system. Pressing this button will send a signal to the integrated BMC, which will either power on or power off the system. The integrated LED is a single color (Green) and is capable of supporting different indicator states as defined in the following table.

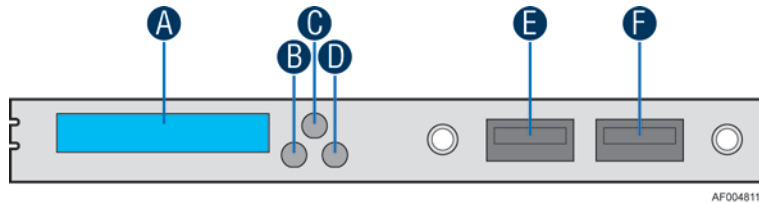
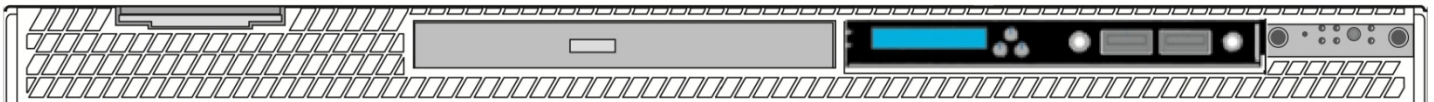
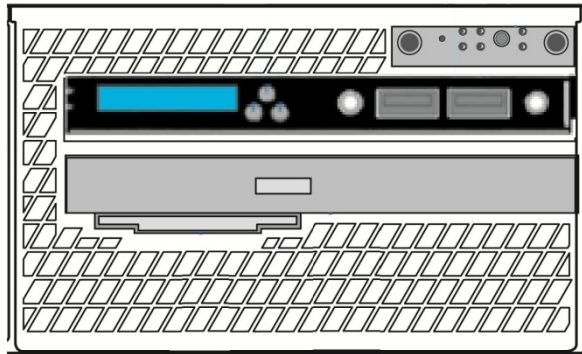
Table 44. Power/Sleep LED Functional States

State	Power Mode	LED	Description
Power-off	Non-ACPI	Off	System power is off, and the BIOS has not initialized the chipset.
Power-on	Non-ACPI	On	System power is on
S5	ACPI	Off	Mechanical is off, and the operating system has not saved any context to the hard disk.
S0	ACPI	Steady on	System and the operating system are up and running.

H- Drive Activity LED - The drive activity LED on the front panel indicates drive activity from the on-board hard disk controllers. The server board also provides a header giving access to this LED for add-in controllers.

9. Intel® Local Control Panel

The Intel® Local Control Panel option (Intel Product Order Code – **A1U2ULCP**) utilizes a combination of control buttons and LCD display to provide system accessibility and monitoring.



Label	Description	Functionality
A	LCD Display	one line 18 character display
B	Left Control Button	moves the cursor backward one step or one character
C	“Enter” Button	selects the menu item highlighted by the cursor
D	Right Control Button	moves the cursor forward one step or one character
E	USB 2.0 / 3.0 Port	
F	USB 2.0 / 3.0 Port	

Figure 76. Intel Local Control Panel Option

**** Note:** Due to signal strength limits associated with USB 3.0 ports cabled to a front panel, some marginally compliant USB 3.0 devices may not be supported from these ports. In addition, server systems based on the Intel® Server Board S2600WT cannot be USB 3.0 certified with USB 3.0 ports cabled to a front panel.

The LCD (Local Control Display) is a one line character display that resides on the front panel of the chassis. It can display a maximum of 18 characters at a time. This device also contains 3 buttons (Left, Right and Enter). The user can select the content that needs to be displayed on the LCD screen by operating these buttons.

For a complete description of the LCP accessory, please reference the *Intel® Local Control Panel for EPSD Platforms Based on Intel® Xeon® Processor E5 4600/2600/2400/1600/1400 Product Families Technical Product Specification*. (Intel document order number G83726-001).

10. PCIe* Riser Card Support

The server board provides three riser card slots identified as: Riser Slot #1, Riser Slot #2, and Riser Slot #3.

NOTE: The riser card slots are specifically designed to support riser cards only. Attempting to install a PCIe add-in card directly into a riser card slot on the server board may damage the server board, the add-in card, or both.

The PCIe* bus interface for each riser card slot is supported by each of the two installed processors. The following tables provide the PCIe* bus routing for all supported risers cards.

Note: Riser Card Slots #2 and #3 can only be used in dual processor configurations.

Riser Slot #1 – Riser Card Options	
2U - 3-Slot Riser Card Intel Product Code – A2UL8RIS2BB	2U - 2-Slot Riser Card Intel Product Code – A2UL16RIS2BB
Top PCIe Slot CPU #1 – Port 3C (x8 elec, x16 mech)	Top PCIe Slot CPU #1 – Port 3A (x16 elec, x16 mech)
Middle PCIe Slot CPU #1 – Port 3A (x8 elec, x16 mech)	
Bottom PCIe Slot CPU #2 – Port 1A (x8 elec, x8 mech)	Bottom PCIe Slot CPU #2 – Port 1A (x8 elec, x8 mech)

Riser Slot #2 – Riser Card Options	
2U - 3-Slot Riser Card Intel Product Code – A2UL8RIS2BB	2U - 2-Slot Riser Card Intel Product Code – A2UL16RIS2BB
Top PCIe Slot CPU #2 – Port 2C (x8 elec, x16 mech)	Top PCIe Slot CPU #2 – Port 2A (x16 elec, x16 mech)
Middle PCIe Slot CPU #2 – Port 2A (x8 elec, x16 mech)	
Bottom PCIe Slot CPU #2 – Port 3C (x8 elec, x8 mech)	Bottom PCIe Slot CPU #2 – Port 3C (x8 elec, x8 mech)

Riser Slot #3 - Riser Card Options	
2U - Low Profile Riser Card Intel Product Code – A2UX8X4RISER	Notes
Top PCIe Slot CPU #2 – Port DMI 2 (running in PCIe mode) (x4 elec, x8 mech)	PCIe 2.0 Support Only
Bottom PCIe Slot CPU #2 – Port 3A (x8 elec, x8 mech)	

Note: Riser Slot#3 does not support SMBus device aliasing. SMBus aliasing prevents devices with common address requirements from conflicting with each other. Intel recommends that any PCIe* add-in card requiring SMBus support be installed into any available add-in card slot on either Riser #1 or Riser #2.

Riser Card Assembly

The system includes two different riser cards assemblies, one supporting riser slot #1 and one supporting both riser slots #2 and #3 in a back-to-back butterfly configuration.

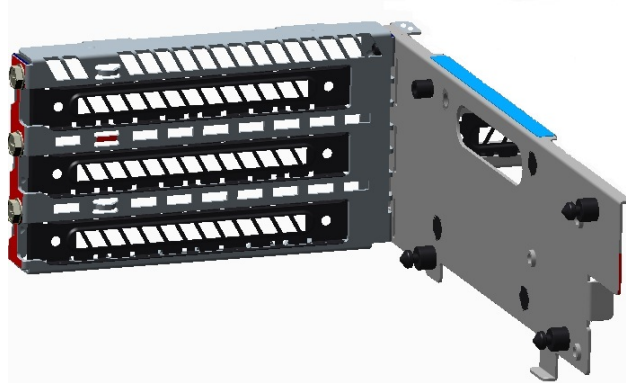
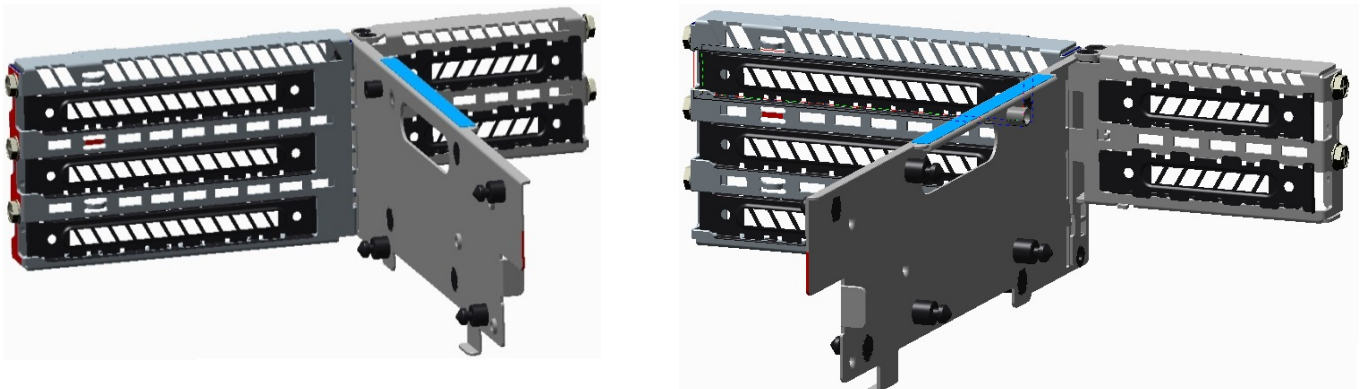


Figure 77. Riser Card #1 Bracket

Figure 78. Left and Right Views of Riser Card #2 & #3 Bracket



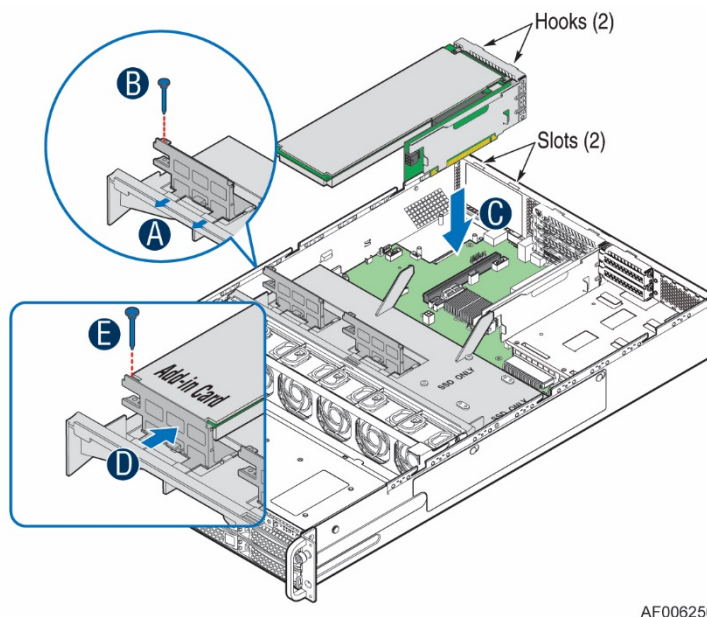
Depending on the riser card option installed, Riser Slots #1 and #2 can each support up to two full height full length add-in cards (top and middle slots on each riser) and one full height ½ length add-in card (bottom slot on each riser).

Note: Add-in cards that exceed the PCI specification for ½ length PCI add-in cards (167.65mm or 6.6in) may interfere with other installed devices on the server board when installed in the bottom add-in card slot.

Two card guide brackets on the air duct provide support for Full Height / Full Length add-in cards when installed in either the middle or top add-in card slots of each installed riser card assembly.

When installed, Riser Slot #3 can support up to two low profile add-in cards. To avoid possible add-in card bracket interference when installing add-in cards into both Riser Card #2 and Riser Card #3, add-in cards in Riser #2 should be installed before those to be installed in Riser #3.

Installation of each riser card assembly into the chassis is tool-less. Hooks on the back edge of the riser card assembly are aligned with slots on the chassis, then each assembly is pushed down into the respective riser card slots on the server board.



AF006250

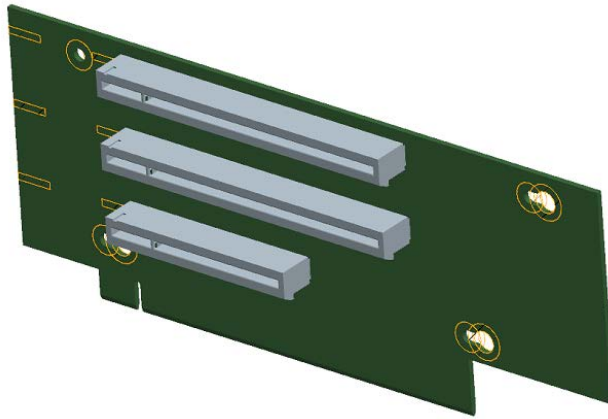
Figure 79. Full Height / Full Length Add-in Card Support

Note: Different system models within this 2U product family will have different PCIe* add-in card population requirements based on supported air flow limits. See section 4.1. System integrators should identify PCI add-in card air flow requirements from vendor specifications when integrating any add-in card into the system, to ensure the chosen PCIe* add-in card slot can meet the card's air flow requirements.

10.1 Riser Slot #1 and Riser Slot #2 Riser Card Options

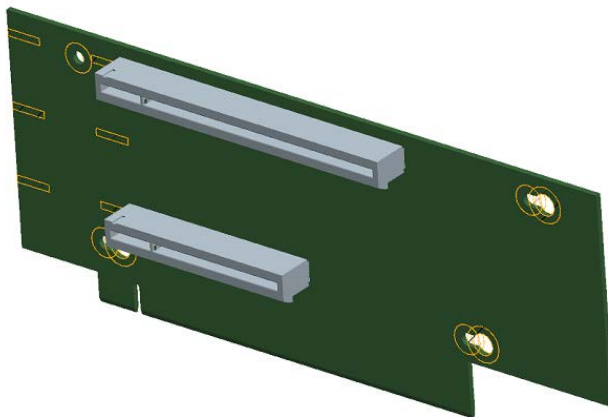
Several multi-slot PCI riser card options are available for this server product family. Available riser cards for Riser Slots #1 and #2 are common between the two slots.

3-Slot PCIe Riser Card – Intel Product Code: A2UL8RISER2



Slot #	Description
Slot-1 (Top)	PCIe x8 elec, x16 mechanical
Slot-2 (Middle)	PCIe x8 elec, x16 mechanical
Slot-3 (Bottom)	PCIe x8 elec, x8 mechanical

2-Slot PCIe Riser Card – Intel Product Code: A2UL16RISER2

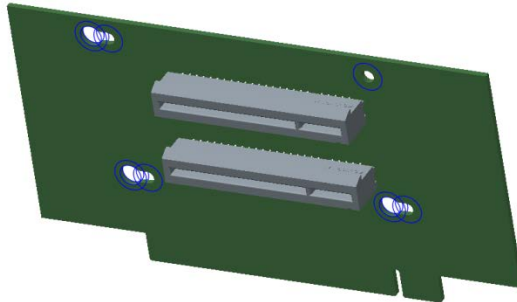


Slot #	Description
Slot-1 (Top)	PCIe x16 elec, x16 mechanical
Slot-2 (Bottom)	PCIe x8 elec, x8 mechanical

10.2 Riser Slot #3 Riser Card Option

Intel Product Code: A2UX8X4RISER

Riser Slot #3 is provided to support up to two additional PCIe add-in card slots for 2U server configurations. The available riser card option is designed to support low profile add-in cards only.



Slot #	Description
Slot-1 (Top)	PCIe x4 elec, x8 mechanical (PCIe Gen2 support only)
Slot-2 (Bottom)	PCIe x8 elec, x8 mechanical

11. Intel® I/O Module Support

To broaden the standard on-board feature set, the server board provides support for one of several available Intel® I/O Module options. The I/O module attaches to a high density 80-pin connector on the server board labeled “IO_Module” and is supported by x8 PCIe Gen3 signals from the IIO module of the CPU 1 processor.

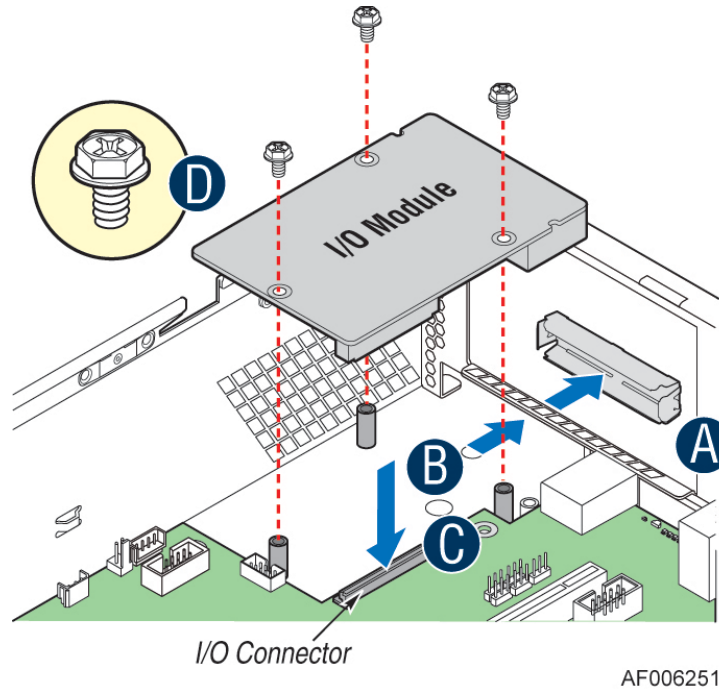


Figure 80. Intel® I/O Module Placement

Supported I/O modules include:

Table 45. Supported Intel® I/O Modules

Description	Intel Product Code
Quad port RJ45 1 GbE based on Intel® Ethernet Controller I350	Intel® I/O Module AXX4P1GBPWL1OM
Dual port RJ-45 10GBase-T I/O Module based on Intel® Ethernet Controller x540	Intel® I/O Module AXX10GBTWLIOM3
Dual port SFP+ 10 GbE module based on Intel® 82599 10 GbE controller	Intel® I/O Module AXX10GBNIAIOM
Single port QSFP FDR 56 GT/S speed InfiniBand* module	Intel® I/O Module AXX1FDRIBIOM
Dual port QSFP FDR 56 GT/S speed infiniband* module	Intel® I/O Module AXX2FDRIBIOM
Single port QSFP+ 40 GbE module	Intel® I/O Module AXX1P40FRTIOM
Dual port QSFP+ 40 GbE module	Intel® I/O Module AXX2P40FRTIOM

12. Basic and Advanced Server Management Features

The integrated BMC has support for basic and advanced server management features. Basic management features are available by default. Advanced management features are enabled with the addition of an optionally installed Remote Management Module 4 Lite (RMM4 Lite) key.

Table 46. Intel® Remote Management Module 4 (RMM4) Options

Intel Product Code	Description	Kit Contents	Benefits
AXXRMM4LITE	Intel® Remote Management Module 4 Lite	RMM4 Lite Activation Key	Enables KVM & media redirection

When the BMC FW initializes, it attempts to access the Intel® RMM4 lite. If the attempt to access Intel® RMM4 lite is successful, then the BMC activates the *Advanced* features.

The following table identifies both Basic and Advanced server management features.

Feature	Basic	Advanced
IPMI 2.0 Feature Support	X	X
In-circuit BMC Firmware Update	X	X
FRB 2	X	X
Chassis Intrusion Detection	X	X
Fan Redundancy Monitoring	X	X
Hot-Swap Fan Support	X	X
Acoustic Management	X	X
Diagnostic Beep Code Support	X	X
Power State Retention	X	X
ARP/DHCP Support	X	X
PECI Thermal Management Support	X	X
E-mail Alerting	X	X
Embedded Web Server	X	X
SSH Support	X	X
Integrated KVM		X
Integrated Remote Media Redirection		X
Lightweight Directory Access Protocol (LDAP)	X	X
Intel® Intelligent Power Node Manager Support	X	X
SMASH CLP	X	X

On the server board the Intel® RMM4 Lite key is installed at the following location.

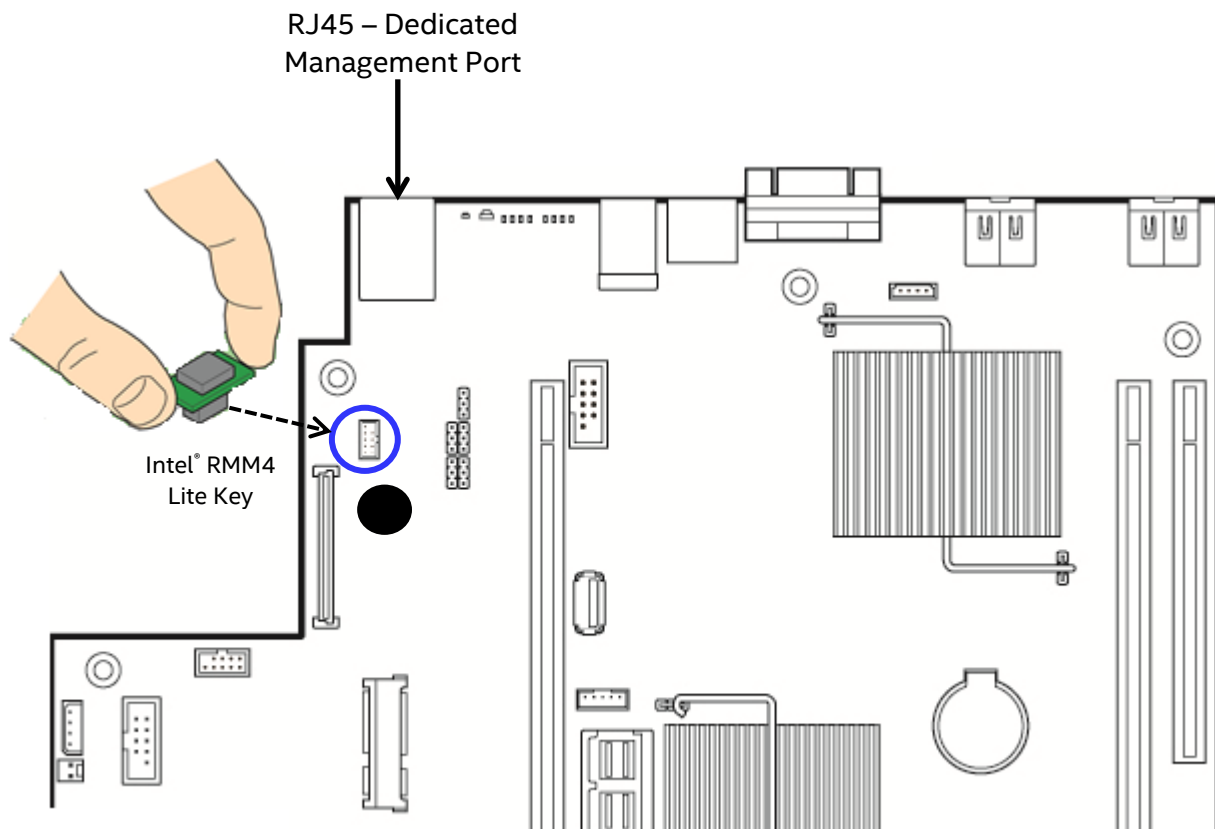


Figure 81. Intel® RMM4 Lite Activation Key Installation

Dedicated Management Port

The server board includes a dedicated 1GbE RJ45 Management Port. The management port is active with or without the RMM4 Lite key installed.

Embedded Web Server

BMC Base manageability provides an embedded web server and an OEM-customizable web GUI which exposes the manageability features of the BMC base feature set. It is supported over all on-board NICs that have management connectivity to the BMC as well as an optional dedicated add-in management NIC. At least two concurrent web sessions from up to two different users is supported. The embedded web user interface shall support the following client web browsers:

- Microsoft Internet Explorer 9.0*
- Microsoft Internet Explorer 10.0*
- Mozilla Firefox 24*
- Mozilla Firefox 25*

The embedded web user interface supports strong security (authentication, encryption, and firewall support) since it enables remote server configuration and control. The user interface presented by the embedded web user interface, shall authenticate the user before allowing a web session to be initiated. Encryption using 128-bit SSL is supported. User authentication is based on user id and password.

The GUI presented by the embedded web server authenticates the user before allowing a web session to be initiated. It presents all functions to all users but grays-out those functions that the user does not have privilege to execute. For example, if a user does not have privilege to power control, then the item shall be displayed in grey-out font in that user's UI display. The web GUI also provides a launch point for some of the advanced features, such as KVM and media redirection. These features are grayed out in the GUI unless the system has been updated to support these advanced features. The embedded web server only displays US English or Chinese language output.

Additional features supported by the web GUI includes:

- Presents all the Basic features to the users
- Power on/off/reset the server and view current power state
- Displays BIOS, BMC, ME and SDR version information
- Display overall system health.
- Configuration of various IPMI over LAN parameters for both IPV4 and IPV6
- Configuration of alerting (SNMP and SMTP)
- Display system asset information for the product, board, and chassis.
- Display of BMC-owned sensors (name, status, current reading, enabled thresholds), including color-code status of sensors.
- Provides ability to filter sensors based on sensor type (Voltage, Temperature, Fan and Power supply related)
- Automatic refresh of sensor data with a configurable refresh rate
- On-line help
- Display/clear SEL (display is in easily understandable human readable format)
- Supports major industry-standard browsers (Microsoft Internet Explorer* and Mozilla Firefox*)
- The GUI session automatically times-out after a user-configurable inactivity period. By default, this inactivity period is 30 minutes.
- Embedded Platform Debug feature - Allow the user to initiate a “debug dump” to a file that can be sent to Intel® for debug purposes.
- Virtual Front Panel. The Virtual Front Panel provides the same functionality as the local front panel. The displayed LEDs match the current state of the local panel LEDs. The displayed buttons (for example, power button) can be used in the same manner as the local buttons.
- Display of ME sensor data. Only sensors that have associated SDRs loaded will be displayed.
- Ability to save the SEL to a file
- Ability to force HTTPS connectivity for greater security. This is provided through a configuration option in the UI.
- Display of processor and memory information as is available over IPMI over LAN.
- Ability to get and set Node Manager (NM) power policies
- Display of power consumed by the server
- Ability to view and configure VLAN settings
- Warn user the reconfiguration of IP address will cause disconnect.

- Capability to block logins for a period of time after several consecutive failed login attempts. The lock-out period and the number of failed logins that initiates the lock-out period are configurable by the user.
- Server Power Control - Ability to force into Setup on a reset
- System POST results – The web server provides the system's Power-On Self Test (POST) sequence for the previous two boot cycles, including timestamps. The timestamps may be viewed in relative to the start of POST or the previous POST code.
- Customizable ports - The web server provides the ability to customize the port numbers used for SMASH, http, https, KVM, secure KVM, remote media, and secure remote media..

For additional information, reference the Intel® Remote Management Module 4 and Integrated BMC Web Console Users Guide.

Advanced Management Feature Support (RMM4 Lite)

The integrated baseboard management controller has support for advanced management features which are enabled when an optional Intel® Remote Management Module 4 Lite (RMM4 Lite) is installed. The Intel RMM4 add-on offers convenient, remote KVM access and control through LAN and internet. It captures, digitizes, and compresses video and transmits it with keyboard and mouse signals to and from a remote computer. Remote access and control software runs in the integrated baseboard management controller, utilizing expanded capabilities enabled by the Intel RMM4 hardware.

Key Features of the RMM4 add-on are:

- KVM redirection from either the dedicated management NIC or the server board NICs used for management traffic; upto to two KVM sessions
- Media Redirection – The media redirection feature is intended to allow system administrators or users to mount a remote IDE or USB CDROM, floppy drive, or a USB flash disk as a remote device to the server. Once mounted, the remote device appears just like a local device to the server allowing system administrators or users to install software (including operating systems), copy files, update BIOS, or boot the server from this device.
- KVM – Automatically senses video resolution for best possible screen capture, high performance mouse tracking and synchronization. It allows remote viewing and configuration in pre-boot POST and BIOS setup.

Keyboard, Video, Mouse (KVM) Redirection

The BMC firmware supports keyboard, video, and mouse redirection (KVM) over LAN. This feature is available remotely from the embedded web server as a Java applet. This feature is only enabled when the Intel® RMM4 lite is present. The client system must have a Java Runtime Environment (JRE) version 6.0 or later to run the KVM or media redirection applets.

The BMC supports an embedded KVM application (*Remote Console*) that can be launched from the embedded web server from a remote console. USB1.1 or USB 2.0 based mouse and keyboard redirection are supported. It is also possible to use the KVM-redirection (KVM-r) session concurrently with media-redirection (media-r). This feature allows a user to interactively use the keyboard, video, and mouse (KVM) functions of the remote server as if the user were physically at the managed server. KVM redirection console supports the following keyboard layouts: English, Dutch, French, German, Italian, Russian, and Spanish.

KVM redirection includes a “soft keyboard” function. The “soft keyboard” is used to simulate an entire keyboard that is connected to the remote system. The “soft keyboard” functionality supports the following layouts: English, Dutch, French, German, Italian, Russian, and Spanish.

The KVM-redirection feature automatically senses video resolution for best possible screen capture and provides high-performance mouse tracking and synchronization. It allows remote viewing and configuration in pre-boot POST and BIOS setup, once BIOS has initialized video.

Other attributes of this feature include:

- Encryption of the redirected screen, keyboard, and mouse
- Compression of the redirected screen.
- Ability to select a mouse configuration based on the OS type.
- supports user definable keyboard macros.

KVM redirection feature supports the following resolutions and refresh rates:

- 640x480 at 60Hz, 72Hz, 75Hz, 85Hz, 100Hz
- 800x600 at 60Hz, 72Hz, 75Hz, 85Hz
- 1024x768 at 60Hz, 72Hz, 75Hz, 85Hz
- 1280x960 at 60Hz
- 1280x1024 at 60Hz
- 1600x1200 at 60Hz
- 1920x1080 (1080p),
- 1920x1200 (WUXGA)
- 1650x1080 (WSXGA+)

Remote Console

The Remote Console is the redirected screen, keyboard and mouse of the remote host system. To use the Remote Console window of your managed host system, the browser must include a Java* Runtime Environment plug-in. If the browser has no Java support, such as with a small handheld device, the user can maintain the remote host system using the administration forms displayed by the browser.

The Remote Console window is a Java Applet that establishes TCP connections to the BMC. The protocol that is run over these connections is a unique KVM protocol and not HTTP or HTTPS. This protocol uses ports #7578 for KVM, #5120 for CDROM media redirection, and #5123 for Floppy/USB media redirection. When encryption is enabled, the protocol uses ports #7582 for KVM, #5124 for CDROM media redirection, and #5127 for Floppy/USB media redirection. The local network environment must permit these connections to be made, that is, the firewall and, in case of a private internal network, the NAT (Network Address Translation) settings have to be configured accordingly.

Performance

The remote display accurately represents the local display. The feature adapts to changes to the video resolution of the local display and continues to work smoothly when the system transitions from graphics to text or vice-versa. The responsiveness may be slightly delayed depending on the bandwidth and latency of the network.

Enabling KVM and/or media encryption will degrade performance. Enabling video compression provides the fastest response while disabling compression provides better video quality.

For the best possible KVM performance, a 2Mb/sec link or higher is recommended.

The redirection of KVM over IP is performed in parallel with the local KVM without affecting the local KVM operation.

Security

The KVM redirection feature supports multiple encryption algorithms, including RC4 and AES. The actual algorithm that is used is negotiated with the client based on the client's capabilities.

Availability

The remote KVM session is available even when the server is powered-off (in stand-by mode). No re-start of the remote KVM session shall be required during a server reset or power on/off. An BMC reset (for example, due to an BMC Watchdog initiated reset or BMC reset after BMC FW update) will require the session to be re-established.

KVM sessions persist across system reset, but not across an AC power loss.

Usage

As the server is powered up, the remote KVM session displays the complete BIOS boot process. The user is able interact with BIOS setup, change and save settings as well as enter and interact with option ROM configuration screens.

At least two concurrent remote KVM sessions are supported. It is possible for at least two different users to connect to same server and start remote KVM sessions

Force-enter BIOS Setup

KVM redirection can present an option to force-enter BIOS Setup. This enables the system to enter F2 setup while booting which is often missed by the time the remote console redirects the video.

Media Redirection

The embedded web server provides a Java applet to enable remote media redirection. This may be used in conjunction with the remote KVM feature, or as a standalone applet.

The media redirection feature is intended to allow system administrators or users to mount a remote IDE or USB CD-ROM, floppy drive, or a USB flash disk as a remote device to the server. Once mounted, the remote device appears just like a local device to the server, allowing system administrators or users to install software (including operating systems), copy files, update BIOS, and so on, or boot the server from this device.

The following capabilities are supported:

- The operation of remotely mounted devices is independent of the local devices on the server. Both remote and local devices are useable in parallel.
- Either IDE (CD-ROM, floppy) or USB devices can be mounted as a remote device to the server.
- It is possible to boot all supported operating systems from the remotely mounted device and to boot from disk IMAGE (*.IMG) and CD-ROM or DVD-ROM ISO files. See the Tested/supported Operating System List for more information.
- Media redirection supports redirection for both a virtual CD device and a virtual Floppy/USB device concurrently. The CD device may be either a local CD drive or else an ISO image file; the Floppy/USB device may be either a local Floppy drive, a local USB device, or else a disk image file.
- The media redirection feature supports multiple encryption algorithms, including RC4 and AES. The actual algorithm that is used is negotiated with the client based on the client's capabilities.

- A remote media session is maintained even when the server is powered-off (in standby mode). No restart of the remote media session is required during a server reset or power on/off. An BMC reset (for example, due to an BMC reset after BMC FW update) will require the session to be re-established
- The mounted device is visible to (and useable by) managed system's OS and BIOS in both pre-boot and post-boot states.
- The mounted device shows up in the BIOS boot order and it is possible to change the BIOS boot order to boot from this remote device.
- It is possible to install an operating system on a bare metal server (no OS present) using the remotely mounted device. This may also require the use of KVM-r to configure the OS during install.

USB storage devices will appear as floppy disks over media redirection. This allows for the installation of The device drivers during OS installation.

If either a virtual IDE or virtual floppy device is remotely attached during system boot, both the virtual IDE and virtual floppy are presented as bootable devices. It is not possible to present only a single-mounted device type to the system BIOS.

12.1.1.1 Availability

The default inactivity timeout is 30 minutes and is not user-configurable. Media redirection sessions persist across system reset but not across an AC power loss or BMC reset.

12.1.1.1.2 Network Port Usage

The KVM and media redirection features use the following ports:

- 5120 – CD Redirection
- 5123 – FD Redirection
- 5124 – CD Redirection (Secure)
- 5127 – FD Redirection (Secure)
- 7578 – Video Redirection
- 7582 – Video Redirection (Secure)

For additional information, reference the *Intel® Remote Management Module 4 and Integrated BMC Web Console Users Guide*.

Appendix A – Integration and Usage Tips

This section provides a list of useful information that is unique to the Intel® Server System R2000WT Product Family and should be kept in mind while configuring your server system.

- When adding or removing components or peripherals, power cords must be disconnected from the server. With power applied to the server, standby voltages are still present even though the server board is powered off.
- This server board supports the Intel® Xeon® Processor E5-2600 v3 and v4 product family with a Thermal Design Power (TDP) of up to and including 145 Watts. Previous generations of the Intel® Xeon® processors are not supported. Server systems using this server board may or may not meet the TDP design limits of the server board. Validate the TDP limits of the server system before selecting a processor.
- Processors must be installed in order. CPU 1 must be populated for the server board to operate
- Riser Slots #2 and #3 are only supported in dual processor configurations
- The riser card slots are specifically designed to support riser cards only. Attempting to install a PCIe* add-in card directly into a riser card slot on the server board may damage the server board, the add-in card, or both.
- This server board only supports DDR4 ECC RDIMM – Registered (Buffered) DIMMS and DDR4 ECC LRDIMM – Load Reduced DIMMs
- For the best performance, the number of DDR4 DIMMs installed should be balanced across both processor sockets and memory channels
- On the back edge of the server board are eight diagnostic LEDs that display a sequence of amber POST codes during the boot process. If the server board hangs during POST, the LEDs display the last POST event run before the hang.
- The System Status LED will be set to a steady Amber color for all Fatal Errors that are detected during processor initialization. A steady Amber System Status LED indicates that an unrecoverable system failure condition has occurred
- RAID partitions created using either embedded software RAID option, RSTe or ESRT2, cannot span across the two embedded SATA controllers. Only drives attached to a common SATA controller can be included in a RAID partition
- The FRUSDR utility must be run as part of the initial platform integration process before it is deployed into a live operating environment. Once the initial FRU and SDR data is loaded on to the system, all subsequent system configuration changes will automatically update SDR data using the BMC auto configuration feature, without having to run the FRUSDR utility again. However, to ensure the latest sensor data is installed, the SDR data should be updated to the latest available as part of a planned system software update.
- Make sure the latest system software is loaded on the server. This includes System BIOS, BMC Firmware, ME Firmware and FRUSDR. The latest system software can be downloaded from <http://downloadcenter.intel.com>.

Appendix B – POST Code Diagnostic LED Decoder

As an aid to assist in trouble shooting a system hang that occurs during a system’s Power-On Self Test (POST) process, the server board includes a bank of eight POST Code Diagnostic LEDs on the back edge of the server board.

During the system boot process, Memory Reference Code (MRC) and System BIOS execute a number of memory initialization and platform configuration processes, each of which is assigned a specific hex POST code number. As each routine is started, the given POST code number is displayed to the POST Code Diagnostic LEDs on the back edge of the server board.

During a POST system hang, the displayed post code can be used to identify the last POST routine that was run prior to the error occurring, helping to isolate the possible cause of the hang condition. Each POST code is represented by eight LEDs; four Green and four Amber. The POST codes are divided into two nibbles, an upper nibble and a lower nibble. The upper nibble bits are represented by Amber Diagnostic LEDs #4, #5, #6, #7. The lower nibble bits are represented by Green Diagnostics LEDs #0, #1, #2 and #3. If the bit is set in the upper and lower nibbles, the corresponding LED is lit. If the bit is clear, the corresponding LED is off.

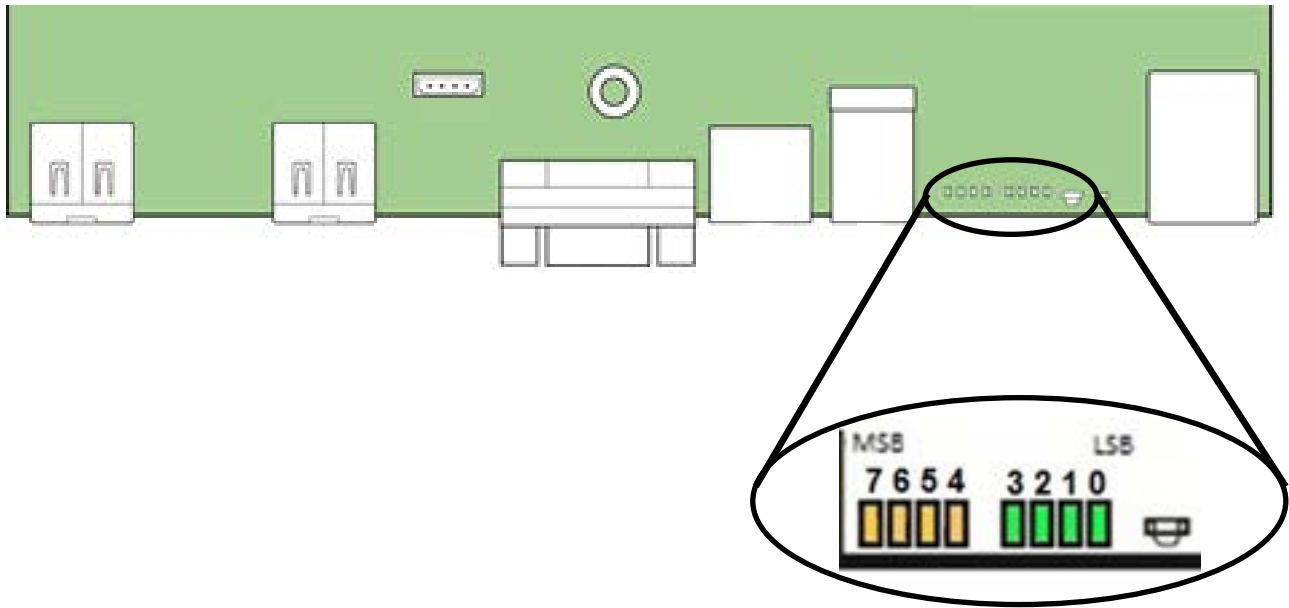


Figure 82. POST Diagnostic LED Location

In the following example, the BIOS sends a value of ACh to the diagnostic LED decoder. The LEDs are decoded as follows:

Table 47. POST Progress Code LED Example

LEDs	Upper Nibble AMBER LEDs				Lower Nibble GREEN LEDs			
	MSB							LSB
	LED #7	LED #6	LED #5	LED #4	LED #3	LED #2	LED #1	LED #0
	8h	4h	2h	1h	8h	4h	2h	1h
Status	ON	OFF	ON	OFF	ON	ON	OFF	OFF
Results	1	0	1	0	1	1	0	0
	Ah				Ch			

- Upper nibble bits = 1010b = Ah; Lower nibble bits = 1100b = Ch; the two are concatenated as ACh.

Early POST Memory Initialization MRC Diagnostic Codes

Memory Initialization at the beginning of POST includes multiple functions, including: discovery, channel training, validation that the DIMM population is acceptable and functional, initialization of the IMC and other hardware settings, and initialization of applicable RAS configurations.

The MRC Progress Codes are displays to the Diagnostic LEDs that show the execution point in the MRC operational path at each step.

Table 48. MRC Progress Codes

Checkpoint	Diagnostic LED Decoder								Description
	1 = LED On, 0 = LED Off								
	Upper Nibble				Lower Nibble				
	MSB							LSB	
	8h	4h	2h	1h	8h	4h	2h	1h	
LED	#7	#6	#5	#4	#3	#2	#1	#0	
MRC Progress Codes									
B0h	1	0	1	1	0	0	0	0	Detect DIMM population
B1h	1	0	1	1	0	0	0	1	Set DDR3 frequency
B2h	1	0	1	1	0	0	1	0	Gather remaining SPD data
B3h	1	0	1	1	0	0	1	1	Program registers on the memory controller level
B4h	1	0	1	1	0	1	0	0	Evaluate RAS modes and save rank information
B5h	1	0	1	1	0	1	0	1	Program registers on the channel level
B6h	1	0	1	1	0	1	1	0	Perform the JEDEC defined initialization sequence
B7h	1	0	1	1	0	1	1	1	Train DDR3 ranks
B8h	1	0	1	1	1	0	0	0	Initialize CLTT/OLTT
B9h	1	0	1	1	1	0	0	1	Hardware memory test and init
BAh	1	0	1	1	1	0	1	0	Execute software memory init
BBh	1	0	1	1	1	0	1	1	Program memory map and interleaving
BCh	1	0	1	1	1	1	0	0	Program RAS configuration
BFh	1	0	1	1	1	1	1	1	MRC is done

Should a major memory initialization error occur, preventing the system from booting with data integrity, a beep code is generated, the MRC will display a fatal error code on the diagnostic LEDs, and a system halt command is executed. Fatal MRC error halts do NOT change the state of the System Status LED, and they do NOT get logged as SEL events. The following table lists all MRC fatal errors that are displayed to the Diagnostic LEDs.

NOTE: Fatal MRC errors will display POST error codes that may be the same as BIOS POST progress codes displayed later in the POST process. The fatal MRC codes can be distinguished from the BIOS POST progress codes by the accompanying memory failure beep code of 3 long beeps as identified in Table 59.

Table 49. MRC Fatal Error Codes

Checkpoint	Diagnostic LED Decoder								Description
	1 = LED On, 0 = LED Off								
	Upper Nibble				Lower Nibble				
	MSB							LSB	
	8h	4h	2h	1h	8h	4h	2h	1h	
LED	#7	#6	#5	#4	#3	#2	#1	#0	
MRC Fatal Error Codes									
E8h	1	1	1	0	1	0	0	0	No usable memory error 01h = No memory was detected from SPD read, or invalid config that causes no operable memory. 02h = Memory DIMMs on all channels of all sockets are disabled due to hardware memtest error. 3h = No memory installed. All channels are disabled.
E9h	1	1	1	0	1	0	0	1	Memory is locked by Intel Trusted Execution Technology and is inaccessible
EAh	1	1	1	0	1	0	1	0	DDR3 channel training error 01h = Error on read DQ/DQS (Data/Data Strobe) init 02h = Error on Receive Enable 3h = Error on Write Leveling 04h = Error on write DQ/DQS (Data/Data Strobe)
EBh	1	1	1	0	1	0	1	1	Memory test failure 01h = Software memtest failure. 02h = Hardware memtest failed. 03h = Hardware Memtest failure in Lockstep Channel mode requiring a channel to be disabled. <i>This is a fatal error which requires a reset and calling MRC with a different RAS mode to retry.</i>
EDh	1	1	1	0	1	1	0	1	DIMM configuration population error 01h = Different DIMM types (UDIMM, RDIMM, LRDIMM) are detected installed in the system. 02h = Violation of DIMM population rules. 03h = The 3rd DIMM slot cannot be populated when QR DIMMs are installed. 04h = UDIMMs are not supported in the 3rd DIMM slot. 05h = Unsupported DIMM Voltage.
EFh	1	1	1	0	1	1	1	1	Indicates a CLTT table structure error

BIOS POST Progress Codes

The following table provides a list of all POST progress codes.

Table 50. Diagnostic LED POST Code Decoder

Checkpoint	Diagnostic LED Decoder								Description
	1 = LED On, 0 = LED Off								
	Upper Nibble				Lower Nibble				
	MSB							LSB	
LED #	#7	#6	#5	#4	#3	#2	#1	#0	
SEC Phase									
01h	0	0	0	0	0	0	0	1	First POST code after CPU reset
02h	0	0	0	0	0	0	1	0	Microcode load begin
03h	0	0	0	0	0	0	1	1	CRAM initialization begin
04h	0	0	0	0	0	1	0	0	Pei Cache When Disabled
05h	0	0	0	0	0	1	0	1	SEC Core At Power On Begin.
06h	0	0	0	0	0	1	1	0	Early CPU initialization during Sec Phase.
07h	0	0	0	0	0	1	1	1	Early SB initialization during Sec Phase.
08h	0	0	0	0	1	0	0	0	Early NB initialization during Sec Phase.
09h	0	0	0	0	1	0	0	1	End Of Sec Phase.
0Eh	0	0	0	0	1	1	1	0	Microcode Not Found.
0Fh	0	0	0	0	1	1	1	1	Microcode Not Loaded.
PEI Phase									
10h	0	0	0	1	0	0	0	0	PEI Core
11h	0	0	0	1	0	0	0	1	CPU PEIM
15h	0	0	0	1	0	1	0	1	NB PEIM
19h	0	0	0	1	1	0	0	1	SB PEIM
MRC Process Codes – MRC Progress Code Sequence is executed - See Table 28									
PEI Phase continued...									
31h	0	0	1	1	0	0	0	1	Memory Installed
32h	0	0	1	1	0	0	1	0	CPU PEIM (Cpu Init)
33h	0	0	1	1	0	0	1	1	CPU PEIM (Cache Init)
34h	0	0	1	1	0	1	0	0	CPU PEIM (BSP Select)
35h	0	0	1	1	0	1	0	1	CPU PEIM (AP Init)
36h	0	0	1	1	0	1	1	0	CPU PEIM (CPU SMM Init)
4Fh	0	1	0	0	1	1	1	1	Dxe IPL started
DXE Phase									
60h	0	1	1	0	0	0	0	0	DXE Core started
61h	0	1	1	0	0	0	0	1	DXE NVRAM Init
62h	0	1	1	0	0	0	1	0	SB RUN Init
63h	0	1	1	0	0	0	1	1	Dxe CPU Init
68h	0	1	1	0	1	0	0	0	DXE PCI Host Bridge Init
69h	0	1	1	0	1	0	0	1	DXE NB Init
6Ah	0	1	1	0	1	0	1	0	DXE NB SMM Init
70h	0	1	1	1	0	0	0	0	DXE SB Init
71h	0	1	1	1	0	0	0	1	DXE SB SMM Init
72h	0	1	1	1	0	0	1	0	DXE SB devices Init
78h	0	1	1	1	1	0	0	0	DXE ACPI Init
79h	0	1	1	1	1	0	0	1	DXE CSM Init
90h	1	0	0	1	0	0	0	0	DXE BDS Started
91h	1	0	0	1	0	0	0	1	DXE BDS connect drivers
92h	1	0	0	1	0	0	1	0	DXE PCI Bus begin
93h	1	0	0	1	0	0	1	1	DXE PCI Bus HPC Init
94h	1	0	0	1	0	1	0	0	DXE PCI Bus enumeration

Checkpoint	Diagnostic LED Decoder								Description
	1 = LED On, 0 = LED Off								
	Upper Nibble				Lower Nibble				
	MSB							LSB	
LED #	8h	4h	2h	1h	8h	4h	2h	1h	
95h	1	0	0	1	0	1	0	1	DXE PCI Bus resource requested
96h	1	0	0	1	0	1	1	0	DXE PCI Bus assign resource
97h	1	0	0	1	0	1	1	1	DXE CON_OUT connect
98h	1	0	0	1	1	0	0	0	DXE CON_IN connect
99h	1	0	0	1	1	0	0	1	DXE SIO Init
9Ah	1	0	0	1	1	0	1	0	DXE USB start
9Bh	1	0	0	1	1	0	1	1	DXE USB reset
9Ch	1	0	0	1	1	1	0	0	DXE USB detect
9Dh	1	0	0	1	1	1	0	1	DXE USB enable
A1h	1	0	1	0	0	0	0	1	DXE IDE begin
A2h	1	0	1	0	0	0	1	0	DXE IDE reset
A3h	1	0	1	0	0	0	1	1	DXE IDE detect
A4h	1	0	1	0	0	1	0	0	DXE IDE enable
A5h	1	0	1	0	0	1	0	1	DXE SCSI begin
A6h	1	0	1	0	0	1	1	0	DXE SCSI reset
A7h	1	0	1	0	0	1	1	1	DXE SCSI detect
A8h	1	0	1	0	1	0	0	0	DXE SCSI enable
A9h	1	0	1	0	1	0	0	1	DXE verifying SETUP password
ABh	1	0	1	0	1	0	1	1	DXE SETUP start
ACH	1	0	1	0	1	1	0	0	DXE SETUP input wait
ADh	1	0	1	0	1	1	0	1	DXE Ready to Boot
A Eh	1	0	1	0	1	1	1	0	DXE Legacy Boot
AFh	1	0	1	0	1	1	1	1	DXE Exit Boot Services
B0h	1	0	1	1	0	0	0	0	RT Set Virtual Address Map Begin
B1h	1	0	1	1	0	0	0	1	RT Set Virtual Address Map End
B2h	1	0	1	1	0	0	1	0	DXE Legacy Option ROM init
B3h	1	0	1	1	0	0	1	1	DXE Reset system
B4h	1	0	1	1	0	1	0	0	DXE USB Hot plug
B5h	1	0	1	1	0	1	0	1	DXE PCI BUS Hot plug
B6h	1	0	1	1	0	1	1	0	DXE NVRAM cleanup
B7h	1	0	1	1	0	1	1	1	DXE Configuration Reset
00h	0	0	0	0	0	0	0	0	INT19
S3 Resume									
E0h	1	1	1	0	0	0	0	0	S3 Resume PEIM (S3 started)
E1h	1	1	1	0	0	0	0	1	S3 Resume PEIM (S3 boot script)
E2h	1	1	1	0	0	0	1	0	S3 Resume PEIM (S3 Video Repost)
E3h	1	1	1	0	0	0	1	1	S3 Resume PEIM (S3 OS wake)
BIOS Recovery									
F0h	1	1	1	1	0	0	0	0	PEIM which detected forced Recovery condition
F1h	1	1	1	1	0	0	0	1	PEIM which detected User Recovery condition
F2h	1	1	1	1	0	0	1	0	Recovery PEIM (Recovery started)
F3h	1	1	1	1	0	0	1	1	Recovery PEIM (Capsule found)
F4h	1	1	1	1	0	1	0	0	Recovery PEIM (Capsule loaded)

Appendix C – POST Code Errors

Most error conditions encountered during POST are reported using **POST Error Codes**. These codes represent specific failures, warnings, or are informational. POST Error Codes may be displayed in the Error Manager display screen, and are always logged to the System Event Log (SEL). Logged events are available to System Management applications, including Remote and Out of Band (OOB) management.

There are exception cases in early initialization where system resources are not adequately initialized for handling POST Error Code reporting. These cases are primarily Fatal Error conditions resulting from initialization of processors and memory, and they are handed by a Diagnostic LED display with a system halt.

The following table lists the supported POST Error Codes. Each error code is assigned an error type which determines the action the BIOS will take when the error is encountered. Error types include Minor, Major, and Fatal. The BIOS action for each is defined as follows:

- **Minor:** The error message is displayed on the screen or on the Error Manager screen, and an error is logged to the SEL. The system continues booting in a degraded state. The user may want to replace the erroneous unit. The POST Error Pause option setting in the BIOS setup does not have any effect on this error.
- **Major:** The error message is displayed on the Error Manager screen, and an error is logged to the SEL. The POST Error **Pause** option setting in the BIOS setup determines whether the system pauses to the Error Manager for this type of error so the user can take immediate corrective action or the system continues booting.

Note that for 0048 "Password check failed", the system halts, and then after the next reset/reboot will display the error code on the Error Manager screen.

- **Fatal:** The system halts during post at a blank screen with the text "**Unrecoverable fatal error found. System will not boot until the error is resolved**" and "**Press <F2> to enter setup**". The POST Error Pause option setting in the BIOS setup does not have any effect with this class of error.

When the operator presses the **F2** key on the keyboard, the error message is displayed on the Error Manager screen, and an error is logged to the SEL with the error code. The system cannot boot unless the error is resolved. The user needs to replace the faulty part and restart the system.

Note: The POST error codes in the following table are common to all current generation Intel server platforms. Features present on a given server board/system will determine which of the listed error codes are supported.

Table 51. POST Error Messages and Handling

Error Code	Error Message	Response
0012	System RTC date/time not set	Major
0048	Password check failed	Major
0140	PCI component encountered a PERR error	Major
0141	PCI resource conflict	Major
0146	PCI out of resources error	Major
0191	Processor core/thread count mismatch detected	Fatal
0192	Processor cache size mismatch detected	Fatal
0194	Processor family mismatch detected	Fatal
0195	Processor Intel(R) QPI link frequencies unable to synchronize	Fatal
0196	Processor model mismatch detected	Fatal
0197	Processor frequencies unable to synchronize	Fatal
5220	BIOS Settings reset to default settings	Major
5221	Passwords cleared by jumper	Major
5224	Password clear jumper is Set	Major
8130	Processor 01 disabled	Major
8131	Processor 02 disabled	Major
8160	Processor 01 unable to apply microcode update	Major
8161	Processor 02 unable to apply microcode update	Major
8170	Processor 01 failed Self Test (BIST)	Major
8171	Processor 02 failed Self Test (BIST)	Major
8180	Processor 01 microcode update not found	Minor
8181	Processor 02 microcode update not found	Minor
8190	Watchdog timer failed on last boot	Major
8198	OS boot watchdog timer failure	Major
8300	Baseboard management controller failed self test	Major
8305	Hot Swap Controller failure	Major
83A0	Management Engine (ME) failed self test	Major
83A1	Management Engine (ME) Failed to respond.	Major
84F2	Baseboard management controller failed to respond	Major
84F3	Baseboard management controller in update mode	Major
84F4	Sensor data record empty	Major
84FF	System event log full	Minor
8500	Memory component could not be configured in the selected RAS mode	Major
8501	DIMM Population Error	Major
8520	DIMM_A1 failed test/initialization	Major
8521	DIMM_A2 failed test/initialization	Major
8522	DIMM_A3 failed test/initialization	Major
8523	DIMM_B1 failed test/initialization	Major
8524	DIMM_B2 failed test/initialization	Major
8525	DIMM_B3 failed test/initialization	Major
8526	DIMM_C1 failed test/initialization	Major
8527	DIMM_C2 failed test/initialization	Major

Error Code	Error Message	Response
8528	DIMM_C3 failed test/initialization	Major
8529	DIMM_D1 failed test/initialization	Major
852A	DIMM_D2 failed test/initialization	Major
852B	DIMM_D3 failed test/initialization	Major
852C	DIMM_E1 failed test/initialization	Major
852D	DIMM_E2 failed test/initialization	Major
852E	DIMM_E3 failed test/initialization	Major
852F	DIMM_F1 failed test/initialization	Major
8530	DIMM_F2 failed test/initialization	Major
8531	DIMM_F3 failed test/initialization	Major
8532	DIMM_G1 failed test/initialization	Major
8533	DIMM_G2 failed test/initialization	Major
8534	DIMM_G3 failed test/initialization	Major
8535	DIMM_H1 failed test/initialization	Major
8536	DIMM_H2 failed test/initialization	Major
8537	DIMM_H3 failed test/initialization	Major
8538	DIMM_J1 failed test/initialization	Major
8539	DIMM_J2 failed test/initialization	Major
853A	DIMM_J3 failed test/initialization	Major
853B	DIMM_K1 failed test/initialization	Major
853C	DIMM_K2 failed test/initialization	Major
853D	DIMM_K3 failed test/initialization	Major
853E	DIMM_L1 failed test/initialization	Major
853F (Go to 85C0)	DIMM_L2 failed test/initialization	Major
8540	DIMM_A1 disabled	Major
8541	DIMM_A2 disabled	Major
8542	DIMM_A3 disabled	Major
8543	DIMM_B1 disabled	Major
8544	DIMM_B2 disabled	Major
8545	DIMM_B3 disabled	Major
8546	DIMM_C1 disabled	Major
8547	DIMM_C2 disabled	Major
8548	DIMM_C3 disabled	Major
8549	DIMM_D1 disabled	Major
854A	DIMM_D2 disabled	Major
854B	DIMM_D3 disabled	Major
854C	DIMM_E1 disabled	Major
854D	DIMM_E2 disabled	Major
854E	DIMM_E3 disabled	Major
854F	DIMM_F1 disabled	Major
8550	DIMM_F2 disabled	Major
8551	DIMM_F3 disabled	Major
8552	DIMM_G1 disabled	Major
8553	DIMM_G2 disabled	Major

Error Code	Error Message	Response
8554	DIMM_G3 disabled	Major
8555	DIMM_H1 disabled	Major
8556	DIMM_H2 disabled	Major
8557	DIMM_H3 disabled	Major
8558	DIMM_J1 disabled	Major
8559	DIMM_J2 disabled	Major
855A	DIMM_J3 disabled	Major
855B	DIMM_K1 disabled	Major
855C	DIMM_K2 disabled	Major
855D	DIMM_K3 disabled	Major
855E	DIMM_L1 disabled	Major
855F (Go to 85D0)	DIMM_L2 disabled	Major
8560	DIMM_A1 encountered a Serial Presence Detection (SPD) failure	Major
8561	DIMM_A2 encountered a Serial Presence Detection (SPD) failure	Major
8562	DIMM_A3 encountered a Serial Presence Detection (SPD) failure	Major
8563	DIMM_B1 encountered a Serial Presence Detection (SPD) failure	Major
8564	DIMM_B2 encountered a Serial Presence Detection (SPD) failure	Major
8565	DIMM_B3 encountered a Serial Presence Detection (SPD) failure	Major
8566	DIMM_C1 encountered a Serial Presence Detection (SPD) failure	Major
8567	DIMM_C2 encountered a Serial Presence Detection (SPD) failure	Major
8568	DIMM_C3 encountered a Serial Presence Detection (SPD) failure	Major
8569	DIMM_D1 encountered a Serial Presence Detection (SPD) failure	Major
856A	DIMM_D2 encountered a Serial Presence Detection (SPD) failure	Major
856B	DIMM_D3 encountered a Serial Presence Detection (SPD) failure	Major
856C	DIMM_E1 encountered a Serial Presence Detection (SPD) failure	Major
856D	DIMM_E2 encountered a Serial Presence Detection (SPD) failure	Major
856E	DIMM_E3 encountered a Serial Presence Detection (SPD) failure	Major
856F	DIMM_F1 encountered a Serial Presence Detection (SPD) failure	Major
8570	DIMM_F2 encountered a Serial Presence Detection (SPD) failure	Major
8571	DIMM_F3 encountered a Serial Presence Detection (SPD) failure	Major
8572	DIMM_G1 encountered a Serial Presence Detection (SPD) failure	Major
8573	DIMM_G2 encountered a Serial Presence Detection (SPD) failure	Major
8574	DIMM_G3 encountered a Serial Presence Detection (SPD) failure	Major
8575	DIMM_H1 encountered a Serial Presence Detection (SPD) failure	Major
8576	DIMM_H2 encountered a Serial Presence Detection (SPD) failure	Major
8577	DIMM_H3 encountered a Serial Presence Detection (SPD) failure	Major
8578	DIMM_J1 encountered a Serial Presence Detection (SPD) failure	Major
8579	DIMM_J2 encountered a Serial Presence Detection (SPD) failure	Major
857A	DIMM_J3 encountered a Serial Presence Detection (SPD) failure	Major
857B	DIMM_K1 encountered a Serial Presence Detection (SPD) failure	Major
857C	DIMM_K2 encountered a Serial Presence Detection (SPD) failure	Major
857D	DIMM_K3 encountered a Serial Presence Detection (SPD) failure	Major
857E	DIMM_L1 encountered a Serial Presence Detection (SPD) failure	Major
857F (Go to 85E0)	DIMM_L2 encountered a Serial Presence Detection (SPD) failure	Major

Error Code	Error Message	Response
85C0	DIMM_L3 failed test/initialization	Major
85C1	DIMM_M1 failed test/initialization	Major
85C2	DIMM_M2 failed test/initialization	Major
85C3	DIMM_M3 failed test/initialization	Major
85C4	DIMM_N1 failed test/initialization	Major
85C5	DIMM_N2 failed test/initialization	Major
85C6	DIMM_N3 failed test/initialization	Major
85C7	DIMM_P1 failed test/initialization	Major
85C8	DIMM_P2 failed test/initialization	Major
85C9	DIMM_P3 failed test/initialization	Major
85CA	DIMM_R1 failed test/initialization	Major
85CB	DIMM_R2 failed test/initialization	Major
85CC	DIMM_R3 failed test/initialization	Major
85CD	DIMM_T1 failed test/initialization	Major
85CE	DIMM_T2 failed test/initialization	Major
85CF	DIMM_T3 failed test/initialization	Major
85D0	DIMM_L3 disabled	Major
85D1	DIMM_M1 disabled	Major
85D2	DIMM_M2 disabled	Major
85D3	DIMM_M3 disabled	Major
85D4	DIMM_N1 disabled	Major
85D5	DIMM_N2 disabled	Major
85D6	DIMM_N3 disabled	Major
85D7	DIMM_P1 disabled	Major
85D8	DIMM_P2 disabled	Major
85D9	DIMM_P3 disabled	Major
85DA	DIMM_R1 disabled	Major
85DB	DIMM_R2 disabled	Major
85DC	DIMM_R3 disabled	Major
85DD	DIMM_T1 disabled	Major
85DE	DIMM_T2 disabled	Major
85DF	DIMM_T3 disabled	Major
85E0	DIMM_L3 encountered a Serial Presence Detection (SPD) failure	Major
85E1	DIMM_M1 encountered a Serial Presence Detection (SPD) failure	Major
85E2	DIMM_M2 encountered a Serial Presence Detection (SPD) failure	Major
85E3	DIMM_M3 encountered a Serial Presence Detection (SPD) failure	Major
85E4	DIMM_N1 encountered a Serial Presence Detection (SPD) failure	Major
85E5	DIMM_N2 encountered a Serial Presence Detection (SPD) failure	Major
85E6	DIMM_N3 encountered a Serial Presence Detection (SPD) failure	Major
85E7	DIMM_P1 encountered a Serial Presence Detection (SPD) failure	Major
85E8	DIMM_P2 encountered a Serial Presence Detection (SPD) failure	Major
85E9	DIMM_P3 encountered a Serial Presence Detection (SPD) failure	Major
85EA	DIMM_R1 encountered a Serial Presence Detection (SPD) failure	Major
85EB	DIMM_R2 encountered a Serial Presence Detection (SPD) failure	Major

Error Code	Error Message	Response
85EC	DIMM_R3 encountered a Serial Presence Detection (SPD) failure	Major
85ED	DIMM_T1 encountered a Serial Presence Detection (SPD) failure	Major
85EE	DIMM_T2 encountered a Serial Presence Detection (SPD) failure	Major
85EF	DIMM_T3 encountered a Serial Presence Detection (SPD) failure	Major
8604	POST Reclaim of non-critical NVRAM variables	Minor
8605	BIOS Settings are corrupted	Major
8606	NVRAM variable space was corrupted and has been reinitialized	Major
8607	Recovery boot has been initiated. Note: The Primary BIOS image may be corrupted or the system may hang during POST. A BIOS update is required.	Fatal
92A3	Serial port component was not detected	Major
92A9	Serial port component encountered a resource conflict error	Major
A000	TPM device not detected.	Minor
A001	TPM device missing or not responding.	Minor
A002	TPM device failure.	Minor
A003	TPM device failed self test.	Minor
A100	BIOS ACM Error	Major
A421	PCI component encountered a SERR error	Fatal
A5A0	PCI Express component encountered a PERR error	Minor
A5A1	PCI Express component encountered an SERR error	Fatal
A6A0	DXE Boot Services driver: Not enough memory available to shadow a Legacy Option ROM.	Minor

POST Error Beep Codes

The following table lists the POST error beep codes. Prior to system video initialization, the BIOS uses these beep codes to inform users on error conditions. The beep code is followed by a user-visible code on the POST Progress LEDs

Table 52. POST Error Beep Codes

Beeps	Error Message	POST Progress Code	Description
1	USB device action	N/A	Short beep sounded whenever USB device is discovered in POST, or inserted or removed during runtime.
1 long	Intel® TXT security violation	0xAE, 0xAF	System halted because Intel® Trusted Execution Technology detected a potential violation of system security.
3	Memory error	Multiple	System halted because a fatal error related to the memory was detected.
3 long and 1	CPU mismatch error	0xE5, 0xE6	System halted because a fatal error related to the CPU family/core/cache mismatch was detected.
The following Beep Codes are sounded during BIOS Recovery.			
2	Recovery started	N/A	Recovery boot has been initiated.
4	Recovery failed	N/A	Recovery has failed. This typically happens so quickly after recovery is initiated that it sounds like a 2-4 beep code.

The Integrated BMC may generate beep codes upon detection of failure conditions. Beep codes are sounded each time the problem is discovered, such as on each power-up attempt, but are not sounded continuously. Codes that are common across all Intel server boards and systems that use same generation chipset are

listed in the following table. Each digit in the code is represented by a sequence of beeps whose count is equal to the digit.

Table 53. Integrated BMC Beep Codes

Code	Associated Sensors	Reason for Beep
1-5-2-1	No CPUs installed or first CPU socket is empty.	CPU1 socket is empty, or sockets are populated incorrectly CPU1 must be populated before CPU2.
1-5-2-4	MSID Mismatch	MSID mismatch occurs if a processor is installed into a system board that has incompatible power capabilities.
1-5-4-2	Power fault	DC power unexpectedly lost (power good dropout) – Power unit sensors report power unit failure offset
1-5-4-4	Power control fault (power good assertion timeout).	Power good assertion timeout – Power unit sensors report soft power control failure offset
1-5-1-2	VR Watchdog Timer sensor assertion	VR controller DC power on sequence was not completed in time.
1-5-1-4	Power Supply Status	The system does not power on or unexpectedly powers off and a Power Supply Unit (PSU) is present that is an incompatible model with one or more other PSUs in the system.

Appendix D – System Configuration Table for Thermal Comp

This section provides system configuration compatibility data based on various supported system operating thermal configurations provided. The first table identifies supported system configurations while the system is in “normal” operating mode; on-line, and operational. The second table identifies supported system configurations while the system is in a “fan failure” mode, no longer on-line or operational, fan redundancy is lost.

The following notes communicate support criteria associated with specific configurations identified in the following table. A configuration is identified by reference number in the table. Listed notes that are not specified in the table will reflect similar 1U based system within the Intel® Server Board S2600WT product family, details of which can be found in the Intel® Server Board R1000WT Technical Product Specification.

Thermal Configuration Table Notes:

1. The 27°C configuration alone is limited to elevations of 900m or less. Altitudes higher than 900m need to be supported at higher levels.
2. To support system fan redundancy, the system must be configured with two power supplies to maintain sufficient power. System and power supply fan failures is not supported.
3. Processor throttling may occur which may impact system performance. CPU reliability is not impacted.
4. In fan fail mode, Intel® I/O Modules AXX10GBTWLIOM and AXX2FDRIBIOM are only supported in the specified configurations configured with 120W processors and DRx4 memory.
5. Use of the designated PCIe* slot is limited to add-in cards that have air flow requirements of 100 LFM or less. Higher air flow requirements are not supported.
6. For ASHRAE Class 3 and Class 4 support, the following power supply margining is required to meet thermal specifications:
 - a) For dual power supply configurations, the power budget must fit within a single power supply rated load for a dual power supply configuration, or
 - b) For single power supply configurations, the power budget must be sized with 30% margin to single power supply rated load.
7. Intel® Xeon Phi™ or non-Intel GPGPU cards may have performance impact during ASHRAE Class 3 and Class 4 support.
8. PCIe* SSD AIC FF devices can only be supported in the bottom add-in card slot on Riser Slot #1 and Riser Slot #2.

Intel® Server System R2000WT Product Family TPS

9. The Intel® RAID Maintenance Free Backup Unit (AXXRMFBUX) can support a case temperature of up to 45°C in normal mode and up to 55°C with the system operating in a fan fail mode. The case temperature of Intel® Smart Backup Unit (AXXRSBBUX) can support up to 45°C in both normal and fan fail mode. Excursions over these specs may result in data loss.
10. The system must be configured with Intel® accessory kits **AWTCOPRODUCT** and **A2UL16RISER2** in order to support Non-Intel GPGPU add-in cards with passive cooling solutions.

Thermal Configuration Table – System in “Normal” Operating Mode

"●" = Full Support without limitation

"4,5" (Cell with number) = Conditional support for configuration with limitations. See notes Section

" " (Blank Cell) = Configuration Not supported

ASHRAE (See note 1)	Classifications Max Ambient	Intel® Server System Base System Models: R2312WTxxxx				Intel® Server System Base System Models: R2224WTxxxx			
		27°C (1)	A2 35°C	A3 40°C	A4 45°C	27°C (1)	A2 35°C	A3 40°C	A4 45°C
Power Supply (See note 6)	1100W AC	●	●	●	●	●	●	●	●
	750W AC	●	●	●	●	●	●	●	●
	750W DC	●	●	●	●	●	●	●	●
EP Processors (See Notes 3)	EP, 135w, 12C (Intel® Xeon® processor E5-2690 V3)	●	●	●	3	●	●	●	3
	EP, 120w, 12C (Intel® Xeon® processor E5-2680 V3, E5-2670 V3)	●	●	●	3	●	●	●	3
	EP, 105w, 10C (Intel® Xeon® processor E5-2660 V3, E5-2650 V3)	●	●	●	3	●	●	●	3
	EP, 90w, 8C (Intel® Xeon® processor E5-2640 V3)	●	●	●	3	●	●	●	3
	EP, 85w,8C,6C (Intel® Xeon® processor E5-2630 V3, E5-2620 V3, E5-2609 V3, E5-2603 V3)	●	●	●	3	●	●	●	3
	EP, 135w, 8C,6C,4C (Intel® Xeon® processor E5-2667 V3, E5-2643 V3, E5-2637 V3)	●	3			●	3		
	EP, 105w, 4C (Intel® Xeon® processor E5-2623 V3)	●	●	3	3	●	●	●	3
	EP, 65w, 12C (Intel® Xeon® processor E5-2650L V3)	●	●	3		●	●	3	
	EP, 55w, 8C (Intel® Xeon® processor E5-2630L V3)	●	●			●	●		
	EP, 145w, 14C,18C (Intel® Xeon® processor E5-2697 V3, E5-2699 V3)	●	3			●	3		
	EP, 135w, 16C (Intel® Xeon® processor E5-2698 V3)	●	●	●	3	●	●	●	3
	EP, 120w, 14C (Intel® Xeon® processor E5-2695 V3, E5-2683 V3)	●	●	●	3	●	●	●	3
Memory Type	RDIMM-2Rx8,1Rx4, 1Rx8	●	●	●	●	●	●	●	●
	RDIMM-DRx4	●	●	●	●	●	●	●	●
	LRDIMM-QRx4 DDP	●	●	●	●	●	●	●	●

Intel® Server System R2000WT Product Family TPS

ASHRAE (See note 1)	Classifications Max Ambient	Intel® Server System Base System Models: R2312WTxxxx				Intel® Server System Base System Models: R2224WTxxxx			
		27°C 27°C (1)	A2 35°C	A3 40°C	A4 45°C	27°C 27°C (1)	A2 35°C	A3 40°C	A4 45°C
Add-in Cards (See note 5)	Riser #1 - Bottom Slot (1U riser and 2U riser)	•	•	•	5	•	•	•	5
	Riser #1 - Middle Slot (2U riser)	•	•	5		•	•	5	5
	Riser #1 - Top Slot (2U riser)	•	•	5		•	•	5	5
	Riser #2 - Bottom Slot (1U riser and 2U riser)	•	•	•	5	•	•	•	5
	Riser #2 - Middle Slot (2U riser)	•	•	•	5	•	•	•	5
	Riser #2 - Top Slot (2U riser)	•	•	•	5	•	•	•	5
3rd PCI Riser	Riser #3 - Bottom Slot	•	•	5		•	•	5	
	Riser #3 - Top Slot	•	•	5		•	•	5	
Intel® SAS and I/O Modules (See Note 4)	Intel® Integrated RAID Modules (Mezzanine cards)	•	•	•		•	•	•	
	AXX10GBTWLIOM - Dual 10GBASE-T IO Module	•	•	•	•	•	•	•	•
	AXX10GBNIAIOM - Dual SFP+ port 10GbE IO Module	•	•	•	•	•	•	•	•
	AXX1FDRIBIOM - Single Port FDR Infiniband IO Module	•	•	•	•	•	•	•	•
	AXX2FDRIBIOM - Dual Port FDR Infiniband IO Module	•	•	•	•	•	•	•	•
	AXX4P1GBPWL IOM - Quad Port 1GbE IO Module	•	•	•	•	•	•	•	•
	AXX1P40FRTIOM - Single Port 40GbE IO Module	•	•	•	•	•	•	•	•
	AXX2P40FRTIOM - Dual Port 40GbE IO Module	•	•	•	•	•	•	•	•
Battery Backup (See note 9)	AXXRSBBUx (rated to 45C)	•				•			
	AXXRMFBUx (rated to 55C)	•	•			•	•		
	Cache Offload Module (rated to 55C)	•	•			•	•		
Internal SSD	Rated to 60C	•				•			
	Rated to 70C	•	•			•	•		
Rear SSD	Rated to 60C	•				•			
	Rated to 70C	•	•			•	•	•	
PCIe* SFF SSD DC P3700/P3500	1600GB/2TB					•	•	•	•
	800GB					•	•	•	•
	600GB					•	•	•	•
	400GB					•	•	•	•
	200GB					•	•	•	•
PCIe* SSD AIC FF DC	1600GB/2TB	•				•			
	800GB	•				•			
	600GB	•	•	8		•	•	8	

Intel® Server System R2000WT Product Family TPS

		Intel® Server System Base System Models: R2312WTxxxx				Intel® Server System Base System Models: R2224WTxxxx			
		27°C	A2	A3	A4	27°C	A2	A3	A4
ASHRAE (See note 1)	Classifications	27°C	A2	A3	A4	27°C	A2	A3	A4
	Max Ambient	27°C (1)	35°C	40°C	45°C	27°C (1)	35°C	40°C	45°C
P3700/P3500 (See note 8)	400GB	•	•	8		•	•	8	
	200GB	•	•	•	•	•	•	•	•
Intel® Xeon Phi™ (See Note 7, 10)	Active Cooling up to 300W								
	Active Cooling up to 225W								
	Intel® Xeon Phi™ w/Passive Cooling up to 225W								
	Intel® Xeon Phi™ w/Passive Cooling up to 245W								
	Intel® Xeon Phi™ w/Passive Cooling up to 300W								

Thermal Configuration Table – System in “Normal” Operating Mode - Continued

"●" = Full Support without limitation

"4,5" (Cell with number) = Conditional support for configuration with limitations. See notes Section

" " (Blank Cell) = Configuration Not supported

ASHRAE (See note 1)	Classifications Max Ambient	Intel® Server System Base System Models: R2208WTxxxx				Intel® Server System Base System Models: R2308WTxxxx R2216WTxxxx with AWTCOPRODU		
		27°C (1)	A 2 °C	A3 40° C	A4 45° C	27°C (1)	A2 35° C	A3 40° C
Power Supply (See note 6)	1100W AC	●	●	●	●	●	●	●
	750W AC	●	●	●	●	●	●	●
	750W DC	●	●	●	●	●	●	●
EP Processors (See Notes 3)	EP, 135w, 12C (Intel® Xeon® processor E5-2690 V3)	●	●	●	●	●	●	3
	EP, 120w, 12C (Intel® Xeon® processor E5-2680 V3, E5-2670 V3)	●	●	●	●	●	●	3
	EP, 105w, 10C (Intel® Xeon® processor E5-2660 V3, E5-2650 V3)	●	●	●	●	●	●	3
	EP, 90w, 8C (Intel® Xeon® processor E5-2640 V3)	●	●	●	●	●	●	3
	EP, 85w,8C,6C (Intel® Xeon® processor E5-2630 V3, E5-2620 V3, E5-2609 V3, E5-2603 V3)	●	●	●	●	●	●	3
	EP, 135w, 8C,6C,4C (Intel® Xeon® processor E5-2667 V3, E5-2643 V3, E5-2637 V3)	●	●	●	●	●	3	
	EP, 105w, 4C (Intel® Xeon® processor E5-2623 V3)	●	●	●	●	●	●	3
	EP, 65w, 12C (Intel® Xeon® processor E5-2650L V3)	●	●	●	●	●	●	3
	EP, 55w, 8C (Intel® Xeon® processor E5-2630L V3)	●	●	●	●	●	●	3
	EP, 145w, 14C,18C (Intel® Xeon® processor E5-2697 V3, E5-2699 V3)	●	●	●	3	●	3	
	EP, 135w, 16C (Intel® Xeon® processor E5-2698 V3)	●	●	●	●	●	●	3
EP, 120w, 14C (Intel® Xeon® processor E5-2695 V3, E5-2683 V3)	●	●	●	●	●	●	3	
Memory Type	RDIMM-2Rx8,1Rx4, 1Rx8	●	●	●	●	●	●	●
	RDIMM-DRx4	●	●	●	●	●	●	●
	LRDIMM-QRx4 DDP	●	●	●	●	●	●	●
Add-in Cards (See note 5)	Riser #1 - Bottom Slot (1U riser and 2U riser)	●	●	●	●	●	●	●
	Riser #1 - Middle Slot (2U riser)	●	●	●	5			

Intel® Server System R2000WT Product Family TPS

		Intel® Server System Base System Models: R2208WTxxxx				Intel® Server System Base System Models: R2308WTxxxx R2216WTxxxx with AWTCOPRODU		
		27°C	A 2	A3	A4	27°C	A2	A3
ASHRAE (See note 1)	Classifications	27°C	A 2	A3	A4	27°C	A2	A3
	Max Ambient	27°C (1)	35 °C	40° C	45° C	27°C (1)	35° C	40° C
	Riser #1 - Top Slot (2U riser)	•	•	•	5			
	Riser #2 - Bottom Slot (1U riser and 2U riser)	•	•	•	•	•	•	•
	Riser #2 - Middle Slot (2U riser)	•	•	•	5			
	Riser #2 - Top Slot (2U riser)	•	•	•	5			
3rd PCI Riser	Riser #3 - Bottom Slot	•	•	•	5	•	•	•
	Riser #3 - Top Slot	•	•	•	5	•	•	•
Intel® SAS and I/O Modules (See Note 4)	Intel® Integrated RAID Modules (Mezzanine cards)	•	•	•	•	•	•	•
	AXX10GBTWLIOM - Dual 10GBASE-T IO Module	•	•	•	•	•	•	•
	AXX10GBNIAIOM - Dual SFP+ port 10GbE IO Module	•	•	•	•	•	•	•
	AXX1FDRIBIOM - Single Port FDR Infiniband IO Module	•	•	•	•	•	•	•
	AXX2FDRIBIOM - Dual Port FDR Infiniband IO Module	•	•	•	•	•	•	•
	AXX4P1GBPWLIOIM - Quad Port 1GbE IO Module	•	•	•	•	•	•	•
	AXX1P40FRTIOM - Single Port 40GbE IO Module	•	•	•	•	•	•	•
AXX2P40FRTIOM - Dual Port 40GbE IO Module	•	•	•	•	•	•	•	
Battery Backup (See note 9)	AXXRSBBUx (rated to 45C)	•	•	•		•	•	
	AXXRMFBUx (rated to 55C)	•	•	•		•	•	
	Cache Offload Module (rated to 55C)	•	•	•		•	•	
Internal SSD	Rated to 60C	•				•		
	Rated to 70C	•	•			•	•	
Rear SSD	Rated to 60C	•	•	•		•	•	
	Rated to 70C	•	•	•	•	•	•	•
PCIe* SFF SSD DC P3700/P3500)	1600GB/2TB	•	•	•	•	•	•	•
	800GB	•	•	•	•	•	•	•
	600GB	•	•	•	•	•	•	•
	400GB	•	•	•	•	•	•	•
	200GB	•	•	•	•	•	•	•
PCIe* SSD AIC FF DC	1600GB/2TB	•	8	8	8	•	8	8
	800GB	•	8	8	8	•	8	8
	600GB	•	•	8	8	•	•	8

Intel® Server System R2000WT Product Family TPS

		Intel® Server System Base System Models: R2208WTxxxx				Intel® Server System Base System Models: R2308WTxxxx R2216WTxxxx with AWTCOPRODU		
ASHRAE (See note 1)	Classifications	27°C	A 2	A3	A4	27°C	A2	A3
	Max Ambient	27°C (1)	35 °C	40° C	45° C	27°C (1)	35° C	40° C
P3700/P3500 (See note 8)	400GB	•	•	8	8	•	•	8
	200GB	•	•	•	•	•	•	•
Intel® Xeon Phi™ (See Note 7, 10)	Active Cooling up to 300W	•	•					
	Active Cooling up to 225W	•	•					
	Intel® Xeon Phi™ w/Passive Cooling up to 225W					•	•	•
	Intel® Xeon Phi™ w/Passive Cooling up to 245W					•	•	
	Intel® Xeon Phi™ w/Passive Cooling up to 300W							

Thermal Configuration Table – System in “Fan Fail” Operating Mode

"●" = Full Support without limitation

"4,5" (Cell with number) = Conditional support for configuration with limitations. See notes Section

" " (Blank Cell) = Configuration Not supported

ASHRAE (See note 1)	Classifications	Intel® Server System Base System Models: R2312WTxxxx				Intel® Server System Base System Models: R2224WTxxxx			
		27°C (1)	A2 35°C	A3 40°C	A4 45°C	27°C (1)	A2 35°C	A3 40°C	A4 45°C
Power Supply (See note 6)	1100W AC	2	2			2	2		
	750W AC	2	2			2	2		
	750W DC	2	2			2	2		
EP Processors (See Notes 3)	EP, 135w, 12C (Intel® Xeon® processor E5-2690 V3)	●	3			●	●		
	EP, 120w, 12C (Intel® Xeon® processor E5-2680 V3, E5-2670 V3)	●	3			●	●		
	EP, 105w, 10C (Intel® Xeon® processor E5-2660 V3, E5-2650 V3)	●	3			●	●		
	EP, 90w, 8C (Intel® Xeon® processor E5-2640 V3)	●	3			●	●		
	EP, 85w,8C,6C (Intel® Xeon® processor E5-2630 V3, E5-2620 V3, E5-2609 V3, E5-2603 V3)	●	3			●	●		
	EP, 135w, 8C,6C,4C (Intel® Xeon® processor E5-2667 V3, E5-2643 V3, E5-2637 V3)	3				3			
	EP, 105w, 4C (Intel® Xeon® processor E5-2623 V3)	●	3			●	3		
	EP, 65w, 12C (Intel® Xeon® processor E5-2650L V3)	●				●	3		
	EP, 55w, 8C (Intel® Xeon® processor E5-2630L V3)	●				●	3		
	EP, 145w, 14C,18C (Intel® Xeon® processor E5-2697 V3, E5-2699 V3)	3				3			
	EP, 135w, 16C (Intel® Xeon® processor E5-2698 V3)	●				●	●		
EP, 120w, 14C (Intel® Xeon® processor E5-2695 V3, E5-2683 V3)	●				●	●			
Memory Type	RDIMM-2Rx8,1Rx4	●	●			●	●		
	RDIMM-DRx4	●	●			●	●		
	LRDIMM-QRx4 DDP	●	●			●	●		
Add-in Cards (See note 5)	Riser #1 - Bottom Slot (1U riser and 2U riser)	●	●			●	●		
	Riser #1 - Middle Slot (2U riser)	●	5			●	5		
	Riser #1 - Top Slot (2U riser)	●	5			●	5		
	Riser #2 - Bottom Slot (1U riser and 2U riser)	●	●			●	●		
	Riser #2 - Middle Slot (2U riser)	●	5			●	●		

Intel® Server System R2000WT Product Family TPS

		Intel® Server System Base System Models: R2312WTxxxx				Intel® Server System Base System Models: R2224WTxxxx			
		27°C	A2	A3	A4	27°C	A2	A3	A4
ASHRAE (See note 1)	Classifications	27°C	A2	A3	A4	27°C	A2	A3	A4
	Max Ambient	27°C (1)	35°C	40°C	45°C	27°C (1)	35°C	40°C	45°C
3rd PCI Riser	Riser #2 - Top Slot (2U riser)	•	5			•	•		
	Riser #3 - Bottom Slot	•	5			•	5		
	Riser #3 - Top Slot	•	5			•	5		
Intel® SAS and I/O Modules (See Note 4)	Intel® Integrated RAID Modules (Mezzanine cards)	•	•			•	•		
	AXX10GBTWLIOM - Dual 10GBASE-T IO Module	•	4			•	4		
	AXX10GBNIAIOM - Dual SFP+ port 10GbE IO Module	•	•				•		
	AXX1FDRIBIOM - Single Port FDR Infiniband IO Module	•	•			•	•		
	AXX2FDRIBIOM - Dual Port FDR Infiniband IO Module	•	4			•	4		
	AXX4P1GBPWLIO M - Quad Port 1GbE IO Module	•	•			•	•		
	AXX1P40FRTIOM - Single Port 40GbE IO Module	•	•			•	•		
Battery Backup (See note 9)	AXXRSBBUx (rated to 45C)					•			
	AXXRMFBUx (rated to 55C)	•				•	•		
	Cache Offload Module (rated to 55C)	•				•	•		
Internal SSD	Rated to 60C	•				•			
	Rated to 70C	•	•			•	•		
Rear SSD	Rated to 60C	•				•			
	Rated to 70C	•	•			•	•		
PCIe* SFF SSD DC P3700/P350 0	1600GB/2TB					•	•		
	800GB					•	•		
	600GB					•	•		
	400GB					•	•		
	200GB					•	•		
PCIe SSD AIC FF DC P3700/P350 0 (See note 8)	1600GB/2TB								
	800GB								
	600GB	•	8			•	8		
	400GB	•	8			•	8		
	200GB	•	•			•	•		
Intel® Xeon Phi™	Active Cooling up to 300W								
	Active Cooling up to 225W								
	Intel® Xeon Phi™ w/Passive Cooling up to 225W								

Intel® Server System R2000WT Product Family TPS

		Intel® Server System Base System Models: R2312WTxxxx				Intel® Server System Base System Models: R2224WTxxxx			
ASHRAE (See note 1) (See Note 7, 10)	Classifications	27°C	A2	A3	A4	27°C	A2	A3	A4
	Max Ambient	27°C (1)	35°C	40°C	45°C	27°C (1)	35°C	40°C	45°C
	Intel® Xeon Phi™ w/Passive Cooling up to 245W								
	Intel® Xeon Phi™ w/Passive Cooling up to 300W								

Thermal Configuration Table – System in “Fan Fail” Operating Mode - Continued

"●" = Full Support without limitation

"4,5" (Cell with number) = Conditional support for configuration with limitations. See notes Section

" " (Blank Cell) = Configuration Not supported

ASHRAE (See note 1)	Classifications Max Ambient	Intel® Server System Base System Models: R2208WTxxxx				Intel® Server System Base System Models: R2308WTxxxx R2216WTxxxx with AWTCOPRODUCT			
		27C 27°C (1)	A2 35°C	A3 40°C	A4 45°C	27C 27°C (1)	A2 35°C	A3 40°C	A4 45°C
Power Supply (See note 6)	1100W AC	2	2			2	2		
	750W AC	2	2			2	2		
	750W DC	2	2			2	2		
EP Processors (See Notes 3)	EP, 135w, 12C (Intel® Xeon® processor E5-2690 V3)	●	●			3			
	EP, 120w, 12C (Intel® Xeon® processor E5-2680 V3, E5-2670 V3)	●	●			3			
	EP, 105w, 10C (Intel® Xeon® processor E5-2660 V3, E5-2650 V3)	●	●			3			
	EP, 90w, 8C (Intel® Xeon® processor E5-2640 V3)	●	●			3			
	EP, 85w,8C,6C (Intel® Xeon® processor E5-2630 V3, E5-2620 V3, E5-2609 V3, E5-2603 V3)	●	●			3			
	EP, 135w, 8C,6C,4C (Intel® Xeon® processor E5-2667 V3, E5-2643 V3, E5-2637 V3)	●	●						
	EP, 105w, 4C (Intel® Xeon® processor E5-2623 V3)	●	●			3			
	EP, 65w, 12C (Intel® Xeon® processor E5-2650L V3)	●	●			3			
	EP, 55w, 8C (Intel® Xeon® processor E5-2630L V3)	●	●						
	EP, 145w, 14C,18C (Intel® Xeon® processor E5-2697 V3, E5-2699 V3)	●	●						
	EP, 135w, 16C (Intel® Xeon® processor E5-2698 V3)	●	●			3			
EP, 120w, 14C (Intel® Xeon® processor E5-2695 V3, E5-2683 V3)	●	●			3				
Memory Type	RDIMM-2Rx8,1Rx4	●	●			●	●		
	RDIMM-DRx4	●	●			●	●		
	LRDIMM-QRx4 DDP	●	●			●	●		
Add-in Cards (See note 5)	Riser #1 - Bottom Slot (1U riser and 2U riser)	●	●			●	●		
	Riser #1 - Middle Slot (2U riser)	●	●						
	Riser #1 - Top Slot (2U riser)	●	●						

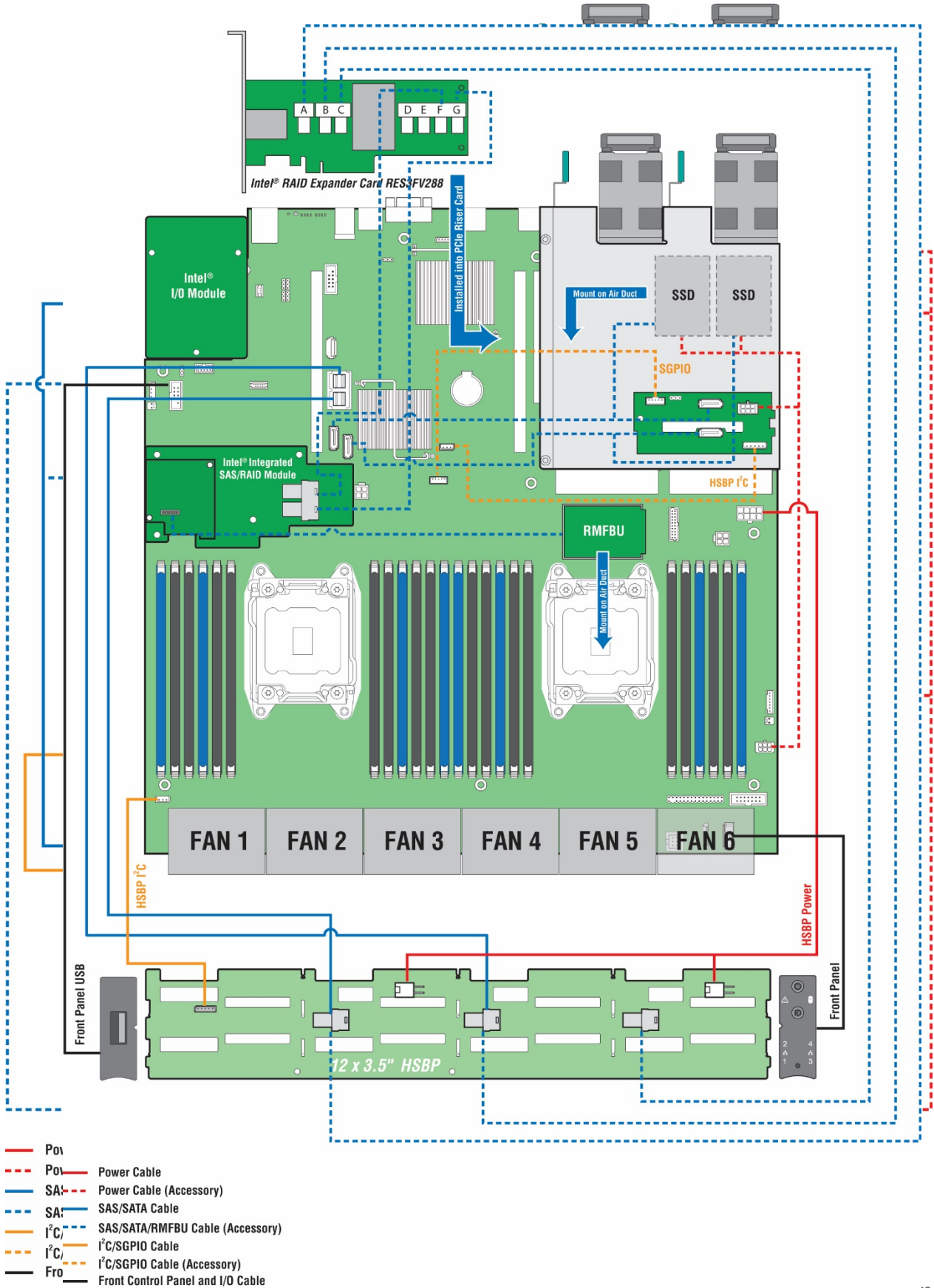
Intel® Server System R2000WT Product Family TPS

		Intel® Server System Base System Models: R2208WTxxxx				Intel® Server System Base System Models: R2308WTxxxx R2216WTxxxx with AWTCOPRODUCT			
		27C	A2	A3	A4	27C	A2	A3	A4
ASHRAE (See note 1)	Classifications	27°C	A2	A3	A4	27°C	A2	A3	A4
	Max Ambient	27°C (1)	35°C	40°C	45°C	27°C (1)	35°C	40°C	45°C
	Riser #2 - Bottom Slot (1U riser and 2U riser)	•	•			•	•		
	Riser #2 - Middle Slot (2U riser)	•	•						
	Riser #2 - Top Slot (2U riser)	•	•						
3rd PCI Riser	Riser #3 - Bottom Slot	•	•			•	•		
	Riser #3 - Top Slot	•	•			•	•		
Intel® SAS and I/O Modules (See Note 4)	Intel® Integrated RAID Modules (Mezzanine cards)	•	•			•	•		
	AXX10GBTWLIOM - Dual 10GBASE-T IO Module	•	•			•	•		
	AXX10GBNIAIOM - Dual SFP+ port 10GbE IO Module	•	•			•	•		
	AXX1FDRIBIOM - Single Port FDR Infiniband IO Module	•	•			•	•		
	AXX2FDRIBIOM - Dual Port FDR Infiniband IO Module	•	•			•	•		
	AXX4P1GBPWLIO M - Quad Port 1GbE IO Module	•	•			•	•		
	AXX1P40FRTIOM - Single Port 40GbE IO Module	•	•			•	•		
AXX2P40FRTIOM - Dual Port 40GbE IO Module	•	•			•	•			
Battery Backup (See note 9)	AXXRSBBUx (rated to 45C)	•	•			•	•		
	AXXRMFBUx (rated to 55C)	•	•			•	•		
	Cache Offload Module (rated to 55C)	•	•			•	•		
Internal SSD	Rated to 60C	•				•			
	Rated to 70C	•	•			•	•		
Rear SSD	Rated to 60C	•	•			•	•		
	Rated to 70C	•	•			•	•		
PCIe* SFF SSD DC P3700/P3500	1600GB/2TB	•	•			•	•		
	800GB	•	•			•	•		
	600GB	•	•			•	•		
	400GB	•	•			•	•		
	200GB	•	•			•	•		
PCIe SSD AIC FF DC P3700/P3500 (See note 8)	1600GB/2TB	8	8			8	8		
	800GB	8	8			8	8		
	600GB	•	•			•	•		
	400GB	•	•			•	•		
	200GB	•	•			•	•		

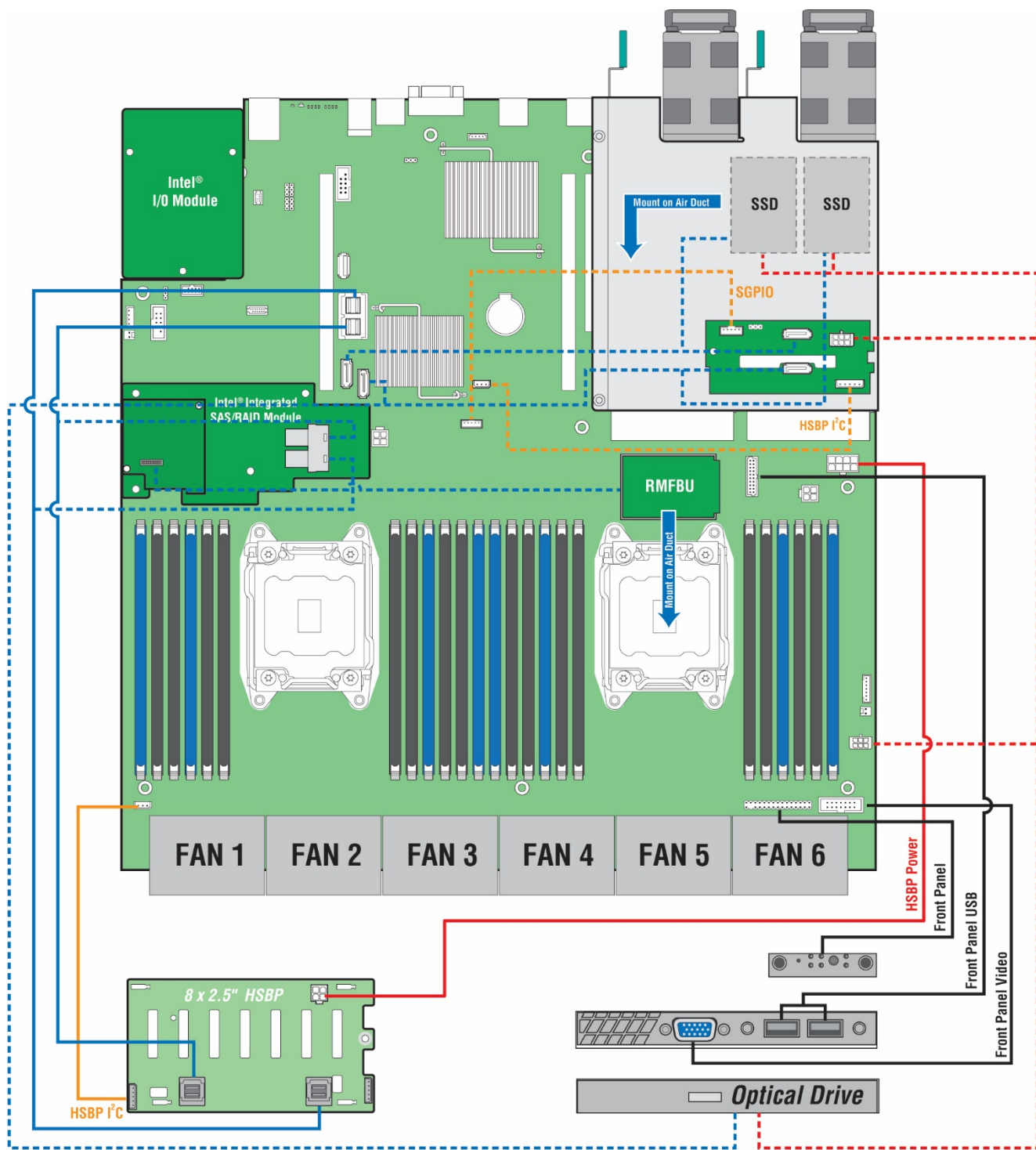
Intel® Server System R2000WT Product Family TPS

		Intel® Server System Base System Models: R2208WTxxxx				Intel® Server System Base System Models: R2308WTxxxx R2216WTxxxx with AWTCOPRODUCT			
ASHRAE (See note 1)	Classifications	27C	A2	A3	A4	27C	A2	A3	A4
	Max Ambient	27°C (1)	35°C	40°C	45°C	27°C (1)	35°C	40°C	45°C
Intel® Xeon Phi™ (See Note 7, 10)	Active Cooling up to 300W	•							
	Active Cooling up to 225W	•	•						
	Intel® Xeon Phi™ w/Passive Cooling up to 225W					•	•		
	Intel® Xeon Phi™ w/Passive Cooling up to 245W					•			
	Intel® Xeon Phi™ w/Passive Cooling up to 300W								

Appendix E – System Cable Routing Diagrams

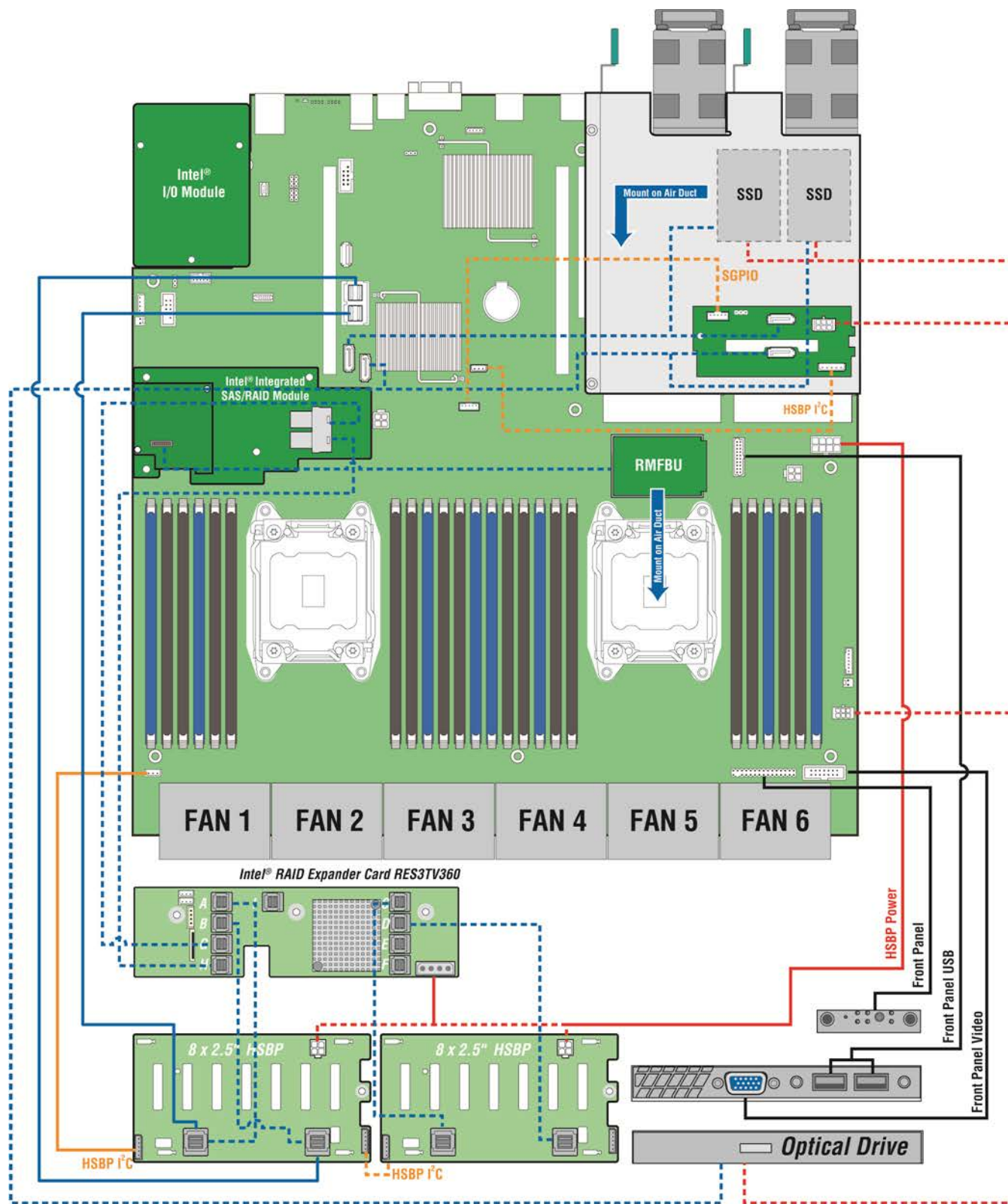


AF006803 J2



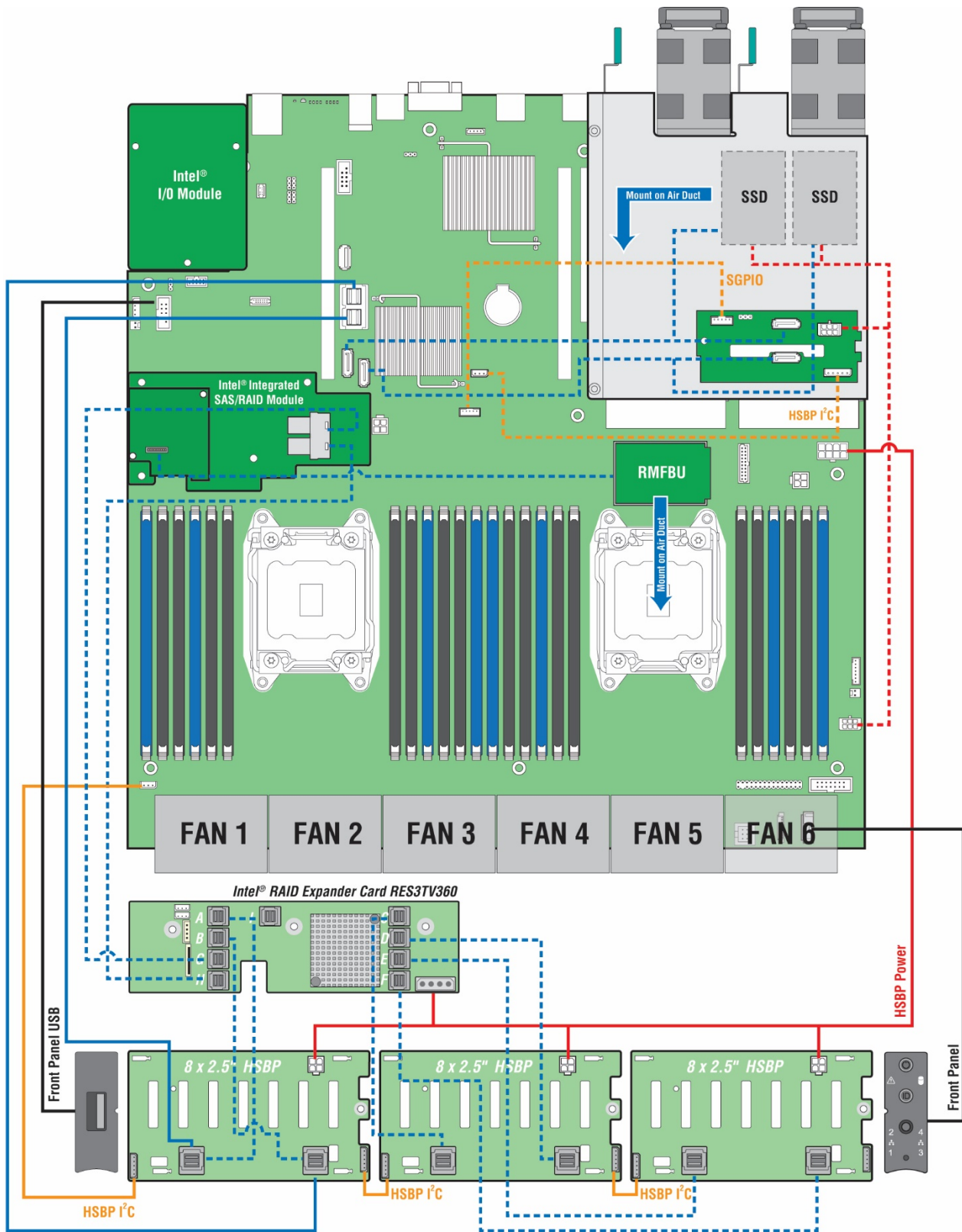
- Power Cable
- - - Power Cable (Accessory)
- SAS/SATA Cable
- - - SAS/SATA/RMFBU Cable (Accessory)
- iC/SGPIO Cable
- - - iC/SGPIO Cable (Accessory)
- Front Control Panel and I/O Cable

AF006804



- Power Cable
- - - Power Cable (Accessory)
- SAS/SATA Cable
- - - SAS/SATA/RMFBU Cable (Accessory)
- i²C/SGPIO Cable
- - - i²C/SGPIO Cable (Accessory)
- Front Control Panel and I/O Cable

AF006805



- Power Cable
- - - Power Cable (Accessory)
- SAS/SATA Cable
- - - SAS/SATA/RMFBU Cable (Accessory)
- I²C/SGPIO Cable
- - - I²C/SGPIO Cable (Accessory)
- Front Control Panel and I/O Cable

Appendix F – Statement of Volatility

The tables in this section are used to identify the volatile and non-volatile memory components for system boards used within the Intel® Server System R2000WT product family.

The tables provide the following data for each identified component.

Component Type

Three types of memory components are used on the server board assembly. These include:

- **Non-volatile:** Non-volatile memory is persistent, and is not cleared when power is removed from the system. Non-Volatile memory must be erased to clear data. The exact method of clearing these areas varies by the specific component. Some areas are required for normal operation of the server, and clearing these areas may render the server board inoperable.
- **Volatile:** Volatile memory is cleared automatically when power is removed from the system.
- **Battery powered RAM:** Battery powered RAM is similar to volatile memory, but is powered by a battery on the server board. Data in Battery powered Ram is persistent until the battery is removed from the server board.

Size

The size of each component includes sizes in bits, Kbits, bytes, kilobytes (KB) or megabytes (MB).

Board Location

The physical location of each component is specified in the Board Location column. The board location information corresponds to information on the server board silkscreen.

User Data

The flash components on the server boards do not store user data from the operating system. No operating system level data is retained in any listed components after AC power is removed. The persistence of information written to each component is determined by its type as described in the table.

Each component stores data specific to its function. Some components may contain passwords that provide access to that device's configuration or functionality. These passwords are specific to the device and are unique and unrelated to operating system passwords. The specific components that may contain password data are:

- **BIOS:** The server board BIOS provides the capability to prevent unauthorized users from configuring BIOS settings when a BIOS password is set. This password is stored in BIOS flash, and is only used to set BIOS configuration access restrictions.
- **BMC:** The server boards support an Intelligent Platform Management Interface (IPMI) 2.0 conformant baseboard management controller (BMC). The BMC provides health monitoring, alerting and remote power control capabilities for the Intel® server board. The BMC does not have access to operating system level data.

The BMC supports the capability for remote software to connect over the network and perform health monitoring and power control. This access can be configured to require authentication by a password. If configured, the BMC will maintain user passwords to control this access. These passwords are stored in the BMC flash.

Intel® Server Board S2600WT (iPN - H21573-xxx and G92187-xxx)

Component Type	Size	Board Location	User Data	Name
Non-Volatile	128Mbit	U4F1	No(BIOS)	BIOS Flash
Non-Volatile	128Mbit	U2D2	No(FW)	BMC Flash
Non-Volatile	16Mbit	U5L2	No	10 GB NIC EEPROM (S2600WTTR)
Non-Volatile	256K bit	U5L3	No	1 GB NIC EEPROM (S2600WT2R)
Non-Volatile	N/A	U1E1	No	CPLD
Non-Volatile	N/A	U1C1	No	IPLD
Volatile	128 MB	U1D2	No	BMC SDRAM

2U 3-Slot PCIe* Riser Card (iPN – H20087-xxx)

Component Type	Size	Board Location	User Data	Name
Non-Volatile	256x8	U7B1	Yes	FRU

2U 2-Slot PCIe* Riser Card (iPN – H20078-xxx)

Component Type	Size	Board Location	User Data	Name
Non-Volatile	256x8	U7B1	Yes	FRU

Riser Slot #3 Low Profile PCIe* Riser Card (iPN – G94347-xxx)

Component Type	Size	Board Location	User Data	Name
Non-Volatile	256x8	U2	Yes	FRU

Common Front Panel Board (iPN – H29366-xxx)

Component Type	Size	Board Location	User Data	Name
Non-Volatile	256x8	U1A1	Yes	PSOC / Microcontroller

Storage System Model Mini- Front Panel Board (iPN – G28538-xxx)

Component Type	Size	Board Location	User Data	Name
Non-Volatile	256x8	U4M1	Yes	FRU

2U 8 x 3.5" Hot Swap Back Plane (iPN – G97160-xxx)

Component Type	Size	Board Location	User Data	Name
Non-Volatile	16384x8	U5A1	Yes	PSOC / Microcontroller / FRU
Non-Volatile	1024x8	U3	No	SAS Re-Driver Settings

2U 12 x 3.5" Hot Swap Back Plane (iPN – G97164-xxx)

Component Type	Size	Board Location	User Data	Name
Non-Volatile	16384x8	U4A2	Yes	PSOC / Microcontroller / FRU
Non-Volatile	16384x8	U7A1	Yes	PSOC / Microcontroller / FRU
Non-Volatile	1024x8	U3	No	SAS Re-Driver Settings

2U 8 x 2.5" SAS Hot Swap Back Plane (iPN – G97156-xxx)

Component Type	Size	Board Location	User Data	Name
Non-Volatile	16384x8	U3A1	Yes	PSOC / Microcontroller / FRU

Intel® 2U 8 x 2.5" Dual Port Hot Swap Back Plane Accessory Kit (iPC – A2U8X25S3DPDK)**2U 8 x 2.5" Dual Port Hot Swap Back Plane (iPN – G97166-xxx)**

Component Type	Size	Board Location	User Data	Name
Non-Volatile	16384x8	U3A2	Yes	PSOC / Microcontroller / FRU
Non-Volatile	N/A	U3A1	No	CPLD Code

Intel® 2U 2 x 2.5" Rear Hot Swap Back Plane Accessory Kit (iPC A2UREARHSDK)**2U 2 x 2.5" Rear Hot Swap Back Plane (iPN – G94339-xxx)**

Component Type	Size	Board Location	User Data	Name
Non-Volatile	16384x8	U1	Yes	PSOC / Microcontroller / FRU

Intel® 2U 8 x 2.5" Combo PCIe* SFF (NVMe) / SAS Hot Swap Back Plane Kit (iPC – A2U44X25NVMEDK)**1U 8 x 2.5" Combo PCIe* SFF (NVMe) / SAS Hot Swap Back Plane (iPN – G97158-xxx)**

Component Type	Size	Board Location	User Data	Name
Non-Volatile	16384x8	U3A1	Yes	PSOC / Microcontroller / FRU

PCIe* SFF SSD Add-in Re-driver Card (iPN – G97168-xxx)

Component Type	Size	Board Location	User Data	Name
Non-Volatile	1024x8	U24	No	PCIe Re-Timer Settings
Non-Volatile	256x8	U3	Yes	FRU

Intel® Remote Management Module Lite Accessory Option (iPC – AXRMM4LITE)

Component Type	Size	Board Location	User Data	Name
Non-Volatile	1Mbit	U2B1	No	RMM Programming

1100W power supply module (iPC - AXX1100PCRPS)

Component Type	Size	PSU Location	User Data	Name	Description
Volatile & Non-volatile	N/A	U680	No	SC56F8236VLF MC56F8246VLF	IC,DSP,32- Bit,10A/Ds,6PWMs,3.3V,60mHz,SMT,LQFP48
Volatile & Non-volatile	N/A	U900	No	C8051F962-B-GQ C8051F962-A-GQ	IC,Microcontroller,8- Bit,16A/Ds,4PWMs,3.3V,25mHz,SMT,TQFP80
Non-Volatile	N/A	U890	Yes	AT24C02C-XHMT CAT24C02YI-GT3A	IC,Memory,EEPROM,1.7V - 5.5V,2kb,SMT,TSSOP-8

Glossary

Word/Acronym	Definition
BMC	Baseboard Management Controller
BIOS	Basic Input/Output System
CMOS	Complementary Metal-oxide-semiconductor
CPU	Central Processing Unit
DDR4	Double Data Rate 4 th edition
DIMM	Dual In-line Memory Module
DPC	DIMMs per Channel
EDS	External Design Specification
EPS	External Product Specification
FP	Front Panel
FRB	Fault Resilient Boot
FRU	Field Replaceable Unit
GPGPU	General Purpose Graphic Processing Unit
I ² C	Inter-integrated Circuit bus
LCD	Liquid Crystal Display
LCP	Local Control Panel
LED	Light Emitting Diode
LFM	Linear Feet per Minute – Air Flow measurement
LPC	Low-pin Count
LRDIMM	Load Reduced DIMM
LSB	Least Significant Bit
MSB	Most Significant Bit
MTBF	Mean Time Between Failure
NIC	Network Interface Card
NMI	Non-maskable Interrupt
OTP	Over-temperature Protection
OVP	Over-voltage Protection
PCI	Peripheral Component Interconnect
PCB	Printed Circuit Board
PCIe*	Peripheral Component Interconnect Express*
PCI-X	Peripheral Component Interconnect Extended
PFC	Power Factor Correction
POST	Power-on Self Test
PSU	Power Supply Unit
RAID	Redundant Array of Independent Disks
RAM	Random Access Memory
RDIMM	Registered DIMM
ROC	RAID On Chip
SAS	Serial Attached SCSI
SATA	Serial Advanced Technology Attachment
SCA	Single Connector Attachment
SCSI	Small Computer System Interface
SDR	Sensor Data Record
SSD	Solid State Device

TPS	Technical Product Specification
USB	Universal Serial Bus
VAVAGO	Very Large Scale Integration
VSB	Voltage Standby

Reference Documents

See the following documents for additional information:

- Intel® Server Board S2600WT Technical Product Specification
- Intel® Server S2600WT Product Family Configuration Guide and Spares/Accessories List
- Intel® Server System R2000WT Product Family System Integration and Service Guide
- Intel® S2600WT Product Family Power Budget and Thermal Configuration Tool
- Advanced Configuration and Power Interface Specification, Revision 3.0, <http://www.acpi.info/>.
- Intelligent Platform Management Bus Communications Protocol Specification, Version 1.0. 1998. Intel Corporation, Hewlett-Packard Company, NEC Corporation, Dell Computer Corporation.
- Intelligent Platform Management Interface Specification, Version 2.0. 2004. Intel Corporation, Hewlett-Packard Company, NEC Corporation, Dell Computer Corporation.
- Platform Support for Serial-over-LAN (SOL), TMode, and Terminal Mode External Architecture Specification, Version 1.1, 02/01/02, Intel Corporation.
- Intel® Remote Management Module User's Guide, Intel Corporation.
- Alert Standard Format (ASF) Specification, Version 2.0, 23 April 2003, ©2000-2003, Distributed Management Task Force, Inc., <http://www.dmtf.org>.
- Intel® Server System BIOS External Product Specification for Intel® Servers Systems supporting the Intel® Xeon® processor E5-2600 V3 and v4 product family – (Intel NDA Required)
- Intel® Server System BIOS Setup Utility Guide for Intel® Servers Systems supporting the Intel® Xeon® processor E5-2600 V3 and v4 product family
- Intel® Server System BMC Firmware External Product Specification for Intel® Servers Systems supporting the Intel® Xeon® processor E5-2600 V3 and v4 product family – (Intel NDA Required)
- SmarT & CLST Architecture on Intel Systems and Power Supplies Specification (Doc Reference # 461024)
- Intel Integrated RAID Module RMS25PB080, RMS25PB040, RMS25CB080, and RMS25CB040 Hardware Users Guide
- Intel® Remote Management Module 4 Technical Product Specification
- Intel® Remote Management Module 4 and Integrated BMC Web Console Users Guide
- Intel® Ethernet Controller I350 Family Product Brief
- Intel® Ethernet Controller X540 Family Product Brief
- Intel® Chipset C610 product family (“Wellsburg”) External Design Specification – (Intel NDA Required)
- Intel® Xeon® Processor E5-4600/2600/2400/1600 v3 and v4 Product Families (“Haswell”) and (“Broadwell”) External Design Specification – (Intel NDA Required)

X-ON Electronics

Largest Supplier of Electrical and Electronic Components

Click to view similar products for [Specialised Cables category](#):

Click to view products by [Intel manufacturer](#):

Other Similar products are found below :

[603PT6](#) [603SS6L](#) [604PT6](#) [604SS6](#) [706000D02F200](#) [910640](#) [1200740077](#) [1200740114](#) [AC172](#) [ACL-SSI-4](#) [R88ACAKA0015SRE](#)
[R88ACAWL005SDE](#) [R88ACRGD0R3C](#) [1300150047](#) [1300660036](#) [1302262116](#) [1300150149](#) [1300220020](#) [1300220104](#) [1300220119](#)
[1301240492](#) [1301810221](#) [1365323-1](#) [1613055](#) [176P12](#) [1971465-2](#) [20240400003](#) [20240400013](#) [2085828-1](#) [20886510030](#) [2-22733-8](#) [22733-](#)
[8](#) [CB-5PSBC-RS](#) [CB-704EC-RS](#) [CB-BATACC-RS](#) [CB-JST3PSW-RS](#) [CB-M12COM-R10](#) [25AC84](#) [25AK84X](#) [25AU25](#) [25FN82](#) [3011-03](#)
[AC118](#) [ACL-HHS-1M\(CAT5E\)](#) [SSL009PC2DC012N](#) [FC2A-KC6C](#) [2085828-2](#) [20886510150](#) [CCS-FCB-5](#) [CCSFCBF2](#)