

# Intel<sup>®</sup> NUC Board/Kit NUC7i5DN

## Technical Product Specification

*March 2021*

Intel<sup>®</sup> NUC Board NUC7i5DN may contain design defects or errors known as errata that may cause the product to deviate from published specifications. Current characterized errata, if any, are documented in Intel NUC Board NUC7i5DN Specification Update.

# Revision History

---

| Revision | Revision History  | Date           |
|----------|---|----------------|
| 100      | First release of the Intel NUC Board/Kit NUC7i3DN Technical Product Specification | September 2017 |
| 101      | Additional Specifications   | September 2017 |
| 102      | Clarifying Specifications   | October 2017   |
| 103      | Additional Explanations   | January 2018   |
| 104      | Added Clarifications  | February 2018  |
| 105      | Added clarifications for supported technologies                                   | June 2018      |
| 106      | Added additional Intel NUC Kit information  | June 2018      |
| 107      | Added clarification to Wireless information in Feature Summary section            | September 2018 |
| 108      | Specification Clarification   | October 2018   |
| 109      | Specification Clarification   | November 2018  |
| 110      | Specification Clarification   | November 2018  |
| 111      | Added section <b>Error! Reference source not found.</b> - Weights                 | February 2019  |
| 112      | Updated image for section 2.2.4 to show correct pin 1 position                    | October 2019   |
| 113      | Specification Clarification   | October 2019   |
| 114      | Updated Table 12 to match the correct pin signals                                 | March 2021     |

## Disclaimer

This product specification applies to only the standard Intel NUC Board with BIOS identifier DNKBLi30.86A.

INFORMATION IN THIS DOCUMENT IS PROVIDED IN CONNECTION WITH INTEL® PRODUCTS. NO LICENSE, EXPRESS OR IMPLIED, BY ESTOPPEL OR OTHERWISE, TO ANY INTELLECTUAL PROPERTY RIGHTS IS GRANTED BY THIS DOCUMENT. EXCEPT AS PROVIDED IN INTEL'S TERMS AND CONDITIONS OF SALE FOR SUCH PRODUCTS, INTEL ASSUMES NO LIABILITY WHATSOEVER, AND INTEL DISCLAIMS ANY EXPRESS OR IMPLIED WARRANTY, RELATING TO SALE AND/OR USE OF INTEL PRODUCTS INCLUDING LIABILITY OR WARRANTIES RELATING TO FITNESS FOR A PARTICULAR PURPOSE, MERCHANTABILITY, OR INFRINGEMENT OF ANY PATENT, COPYRIGHT OR OTHER INTELLECTUAL PROPERTY RIGHT. UNLESS OTHERWISE AGREED IN WRITING BY INTEL, THE INTEL PRODUCTS ARE NOT DESIGNED NOR INTENDED FOR ANY APPLICATION IN WHICH THE FAILURE OF THE INTEL PRODUCT COULD CREATE A SITUATION WHERE PERSONAL INJURY OR DEATH MAY OCCUR.

All Intel NUC Boards are evaluated as Information Technology Equipment (I.T.E.) for use in personal computers (PC) for installation in homes, offices, schools, computer rooms, and similar locations. The suitability of this product for other PC or embedded non-PC applications or other environments, such as medical, industrial, alarm systems, test equipment, etc. may not be supported without further evaluation by Intel.

Intel Corporation may have patents or pending patent applications, trademarks, copyrights, or other intellectual property rights that relate to the presented subject matter. The furnishing of documents and other materials and information does not provide any license, express or implied, by estoppel or otherwise, to any such patents, trademarks, copyrights, or other intellectual property rights.

Intel may make changes to specifications and product descriptions at any time, without notice.

Designers must not rely on the absence or characteristics of any features or instructions marked "reserved" or "undefined." Intel reserves these for future definition and shall have no responsibility whatsoever for conflicts or incompatibilities arising from future changes to them.

Intel processor numbers are not a measure of performance. Processor numbers differentiate features within each processor family, not across different processor families: Go to:

[Learn About Intel® Processor Numbers](#)

Intel NUC may contain design defects or errors known as errata, which may cause the product to deviate from published specifications. Current characterized errata are available on request.

Contact your local Intel sales office or your distributor to obtain the latest specifications before placing your product order.

Intel, the Intel logo, Intel NUC and Intel Core are trademarks of Intel Corporation in the U.S. and/or other countries.

\* Other names and brands may be claimed as the property of others.

Copyright © 2019 Intel Corporation. All rights reserved.

## Board Identification Information

### Basic Intel® NUC Board NUC7i5DNBE Identification Information

| AA Revision | BIOS Revision     | Notes |
|-------------|-------------------|-------|
| J71739-50X  | DNKBLi5v.86A.0056 | 1,2   |

Notes:

1. The AA number is found on a small label on the component side of the board.
2. The Intel® Core™ i5-7300U processor is used on this AA revision consisting of the following component:

| Device        | Stepping | S-Spec Numbers |
|---------------|----------|----------------|
| Intel Core i5 | H0       | SR340          |

## Production Identification Information

### Intel® NUC Products NUC7i5DN{x} Identification Information

| Product Name | Intel® NUC Board | Differentiating Features  |
|--------------|------------------|---|
| NUC7i5DNKE   | NUC7i5DNB        | Kit with power adapter  |
| NUC7i5DNHE   |                  | HDD kit with power adapter  |
| NUC7i5DNBE   |                  | Board   |
| NUC7i5DNKPC  |                  | Kit with power adapter, Intel 256GB M.2 NVMe SSD, 8GB DDR4 SDRAM, Windows* 10 Pro |

Complete information on the Intel NUC Kits based upon this board are available on <https://ark.intel.com>.

## Specification Changes or Clarifications

The table below indicates the Specification Changes or Specification Clarifications that apply to the Intel NUC Board/Kit NUC7i5DN.

### Specification Changes or Clarifications

| Date       | Type of Change | Description of Changes or Clarifications  |
|------------|----------------|---|
| 2/2/2018   | Clarification  | Pin 1 designator on board silkscreen is incorrect for the following headers and connectors: USB 2.0, HDMI CEC, Serial Port, SATA Power, and eDP. The pinout information and pin 1 designators in the TPS are correct for these headers. |
| 09/07/2018 | Clarification  | Added text to Wireless row of table in Feature Summary section:<br>"Pre-installed M.2 module"   |
| 11/12/2018 | Clarification  | Updated "Headless display emulation" and "Persistent display emulation" information in "EDID Emulation Modes" section.  |
| 11/29/2018 | Clarification  | In the "Integrated Audio Provided by the HDMI interfaces" section, changed "192kHz/16-bit" to "192kHz/24-bit"   |
| 10/21/2019 | Clarification  | Clarified Board vs kit environmental specifications.  |

## Errata

Current characterized errata, if any, are documented in a separate Specification Update. See <http://www.intel.com/content/www/us/en/nuc/overview.html> for the latest documentation.

# Preface

---

This Technical Product Specification (TPS) specifies the board layout, components, connectors, power and environmental requirements, and the BIOS for Intel® NUC Board/Kits NUC7i5DN. Some features are only available on Kit SKUs.

## Intended Audience

The TPS is intended to provide detailed, technical information about Intel® NUC Board/Kit NUC7i5DN and its components to the vendors, system integrators, and other engineers and technicians who need this level of information. It is specifically *not* intended for general audiences.

## What This Document Contains

| Chapter | Description  |
|---------|--|
| 1       | A description of the hardware used on Intel® NUC Board NUC7i5DNBE    |
| 2       | A map of the resources of the Intel® NUC Board                       |
| 3       | The features supported by the BIOS Setup program                     |
| 4       | A description of the BIOS error messages, beep codes, and POST codes |

## Typographical Conventions

This section contains information about the conventions used in this specification. Not all of these symbols and abbreviations appear in all specifications of this type.

## Notes, Cautions, and Warnings



### NOTE

*Notes call attention to important information.*



### CAUTION

*Cautions are included to help you avoid damaging hardware or losing data.*

## Other Common Notation

|       |  |
|-------|--|
| #     | Used after a signal name to identify an active-low signal (such as USBP0#)                                     |
| GB    | Gigabyte (1,073,741,824 bytes)   |
| GB/s  | Gigabytes per second   |
| Gb/s  | Gigabits per second  |
| KB    | Kilobyte (1024 bytes)  |
| Kb    | Kilobit (1024 bits)  |
| kb/s  | 1000 bits per second   |
| MB    | Megabyte (1,048,576 bytes)   |
| MB/s  | Megabytes per second   |
| Mb    | Megabit (1,048,576 bits)   |
| Mb/s  | Megabits per second  |
| TDP   | Thermal Design Power   |
| xxh   | An address or data value ending with a lowercase h indicates a hexadecimal value.                              |
| x.x V | Volts. Voltages are DC unless otherwise specified.   |
| x.x A | Amperes.   |
| *     | This symbol is used to indicate third-party brands and names that are the property of their respective owners. |

# Contents

---

|   |            |
|---|------------|
| <b>Revision History</b> .....                           | <b>ii</b>  |
| Disclaimer .....  | ii         |
| Board Identification Information.....                   | iv         |
| Errata.....   | iv         |
| <b>Preface</b> .....                                    | <b>v</b>   |
| Intended Audience.....                                  | v          |
| What This Document Contains .....                       | v          |
| Typographical Conventions .....                         | v          |
| <b>Contents</b> .....                                   | <b>vii</b> |
| <b>1 Product Description</b> .....                      | <b>11</b>  |
| 1.1 Overview .....                                      | 11         |
| 1.1.1 Feature Summary .....                             | 11         |
| 1.1.2 Board Layout (Top) .....                          | 13         |
| 1.1.3 Board Layout (Bottom) .....                       | 14         |
| 1.1.4 Block Diagram .....                               | 16         |
| 1.2 Online Support.....                                 | 17         |
| 1.3 Processor .....                                     | 17         |
| 1.4 System Memory .....                                 | 17         |
| 1.5 Processor Graphics Subsystem.....                   | 20         |
| 1.5.1 Integrated Graphics .....                         | 20         |
| 1.6 USB.....  | 24         |
| 1.7 SATA Interface.....                                 | 24         |
| 1.7.1 AHCI Mode.....                                    | 24         |
| 1.7.2 NVMe.....   | 25         |
| 1.7.3 Intel® Rapid Storage Technology / SATA RAID ..... | 25         |
| 1.7.4 Intel® Next Generation Storage Acceleration.....  | 25         |
| 1.8 Real-Time Clock Subsystem.....                      | 26         |
| 1.9 Audio Subsystem Software.....                       | 26         |
| 1.9.1 Audio Subsystem Software .....                    | 26         |
| 1.10 LAN Subsystem.....                                 | 27         |
| 1.10.1 Intel® I219LM Gigabit Ethernet Controller .....  | 27         |
| 1.10.2 RJ-45 LAN Connector with Integrated LEDs .....   | 28         |
| 1.10.3 Wireless Network Module .....                    | 29         |
| 1.11 Hardware Management Subsystem .....                | 29         |
| 1.11.1 Hardware Monitoring .....                        | 29         |
| 1.11.2 Fan Monitoring.....                              | 29         |
| 1.11.3 Thermal Solution .....                           | 30         |
| 1.12 Power Management .....                             | 31         |

|          |  |           |
|----------|--|-----------|
| 1.12.1   | ACPI .....   | 31        |
| 1.12.2   | Hardware Support .....   | 33        |
| 1.13     | Intel® Security and Manageability Technologies.....                      | 35        |
| 1.13.1   | Intel® vPro™ Technology .....  | 35        |
| <b>2</b> | <b>Technical Reference.....</b>  | <b>39</b> |
| 2.1      | Memory Resources .....   | 39        |
| 2.1.1    | Addressable Memory .....   | 39        |
| 2.2      | Connectors and Headers.....  | 39        |
| 2.2.1    | Front Panel Connectors .....   | 40        |
| 2.2.2    | Back Panel Connectors .....  | 40        |
| 2.2.3    | Connectors and Headers (Top).....  | 41        |
| 2.2.4    | Connectors and Headers (Bottom).....                                     | 42        |
| 2.3      | BIOS Security Jumper .....   | 53        |
| 2.4      | Intel® Management Engine BIOS Extension (Intel® MEBX) Reset Header ..... | 55        |
| 2.5      | Mechanical Considerations .....  | 57        |
| 2.5.1    | Form Factor.....   | 57        |
| 2.5.2    | Weights .....  | 58        |
| 2.6      | Electrical Considerations .....  | 59        |
| 2.6.1    | Power Supply Considerations.....   | 59        |
| 2.6.2    | Fan Header Current Capability.....                                       | 60        |
| 2.7      | Thermal Considerations.....  | 61        |
| 2.8      | Reliability .....  | 65        |
| 2.9      | Environmental .....  | 65        |
| <b>3</b> | <b>Overview of BIOS Features.....</b>                                    | <b>67</b> |
| 3.1      | Introduction.....  | 67        |
| 3.2      | BIOS Flash Memory Organization .....                                     | 67        |
| 3.3      | System Management BIOS (SMBIOS) .....                                    | 67        |
| 3.4      | Legacy USB Support .....   | 68        |
| 3.5      | BIOS Updates.....  | 69        |
| 3.5.1    | Language Support.....  | 69        |
| 3.5.2    | BIOS Recovery.....   | 69        |
| 3.6      | Boot Options.....  | 71        |
| 3.6.1    | Network Boot.....  | 71        |
| 3.6.2    | Booting Without Attached Devices .....                                   | 71        |
| 3.6.3    | iSCSI Boot .....   | 71        |
| 3.6.4    | Changing the Default Boot Device during POST .....                       | 71        |
| 3.6.5    | Power Button Menu.....   | 72        |
| 3.7      | Hard Disk Drive Password Security Feature.....                           | 73        |
| 3.8      | BIOS Security Features .....   | 74        |
| <b>4</b> | <b>Error Messages and Blink Codes.....</b>                               | <b>75</b> |
| 4.1      | Front-panel Power LED Blink Codes.....                                   | 75        |
| 4.2      | BIOS Error Messages.....   | 75        |



## Figures

|   |    |
|---|----|
| Figure 1. Major Board Components (Top) .....                                | 13 |
| Figure 2. Major Board Components (Bottom) .....                             | 14 |
| Figure 3. Block Diagram.....  | 16 |
| Figure 4. Memory Channel and SO-DIMM Configuration.....                     | 19 |
| Figure 5. eDP Connector on Bottom-side of the Board .....                   | 22 |
| Figure 6. LAN Connector LED Locations.....                                  | 28 |
| Figure 7. Thermal Solution and Fan Header .....                             | 30 |
| Figure 8. Location of the Standby Power LED .....                           | 34 |
| Figure 9. Front Panel Connectors.....                                       | 40 |
| Figure 10. Back Panel Connectors .....                                      | 40 |
| Figure 11. Connectors and Headers (Top).....                                | 41 |
| Figure 12. Connectors and Headers (Bottom) .....                            | 42 |
| Figure 13. Connection Diagram for Front Panel Header (2.0 mm Pitch) .....   | 50 |
| Figure 14. Connection Diagram for the Internal Power Supply Connector ..... | 52 |
| Figure 15. Location of the BIOS Security Jumper .....                       | 53 |
| Figure 16. Intel MEBX Reset Header .....                                    | 56 |
| Figure 17. Board Dimensions .....   | 57 |
| Figure 18. Board Height Dimensions .....                                    | 58 |
| Figure 19. Localized High Temperature Zones .....                           | 62 |
| Figure 20. Installation Area of the Thermal Pad .....                       | 63 |

## Tables

|   |    |
|---|----|
| Table 1. Feature Summary .....  | 11 |
| Table 2. Components Shown in Figure 2 .....   | 15 |
| Table 3. Supported Memory Configurations .....  | 18 |
| Table 4. Unsupported Memory Configurations .....  | 18 |
| Table 5. LAN Connector LED States .....   | 28 |
| Table 6. Effects of Pressing the Power Switch.....  | 31 |
| Table 7. Power States and Targeted System Power .....   | 32 |
| Table 8. Wake-up Devices and Events .....   | 33 |
| Table 9. Connectors and Headers Shown in Figure 11 .....  | 41 |
| Table 10. Connectors and Headers Shown in Figure 12 .....   | 43 |
| Table 11. SATA Power Header (1.25 mm pitch).....  | 44 |
| Table 12. Internal USB 2.0 Header (1.25 mm pitch).....  | 44 |
| Table 13. Internal USB 3.0 Header (1.25 mm pitch).....  | 45 |
| Table 14. Serial Port Header (1.25 mm pitch).....   | 45 |
| Table 15. HDMI CEC Header (1.25 mm pitch) .....   | 46 |
| Table 16. M.2 2280 Module (Mechanical Key M) Connector .....  | 46 |
| Table 17. M.2 2230 Module (Mechanical Key E) Connector .....  | 47 |
| Table 18. 40-Pin eDP Connector .....  | 49 |
| Table 19. Front Panel Header (2.0 mm Pitch) .....   | 50 |
| Table 20. States for a One-Color Power LED .....  | 51 |
| Table 21. States for a Dual-Color Power LED .....   | 51 |
| Table 22. 12-24 V Internal Power Supply Connector .....   | 52 |
| Table 23. BIOS Security Jumper Settings.....  | 54 |
| Table 24. Intel MEBX Reset Header Signals.....  | 56 |
| Table 25. Select Weights .....  | 58 |
| Table 26. Power Budget for Assessing the DC-to-DC Circuit's Power Rating (worst case:<br>Embedded board in 3rd party chassis) ..... | 59 |
| Table 27. Fan Header Current Capability.....  | 60 |
| Table 28. Thermal Considerations for Components.....  | 64 |
| Table 29. Tcontrol Values for Components.....   | 64 |
| Table 30. Environmental Specifications.....   | 65 |
| Table 31. Acceptable Drives/Media Types for BIOS Recovery .....   | 69 |
| Table 32. Boot Device Menu Options.....   | 71 |
| Table 33. Master Key and User Hard Drive Password Functions.....  | 73 |
| Table 34. Supervisor and User Password Functions.....   | 74 |
| Table 35. Front-panel Power LED Blink Codes .....   | 75 |
| Table 36. BIOS Error Messages .....   | 75 |

# 1 Product Description

## 1.1 Overview

### 1.1.1 Feature Summary

Table 1 summarizes the major features of Intel® NUC Board NUC7i5DNBE.

**Table 1. Feature Summary**

|                              |  |
|------------------------------|--|
| <b>Form Factor</b>           | 4.0 inches by 4.0 inches (101.60 millimeters by 101.60 millimeters)  |
| <b>Processor</b>             | Intel® NUC Board NUC7i5DNBE has a soldered-down 7 <sup>th</sup> generation Intel® Core™ i5-7300U dual-core processor with up to 15 W TDP <ul style="list-style-type: none"><li>— Intel® HD Graphics 620</li><li>— Integrated memory controller</li><li>— Integrated PCH</li></ul>  |
| <b>Memory</b>                | Two 260-pin 1.2 V DDR4 SDRAM Small Outline Dual Inline Memory Module (SO-DIMM) sockets <ul style="list-style-type: none"><li>— Support for DDR4 1866/2133 MHz SO-DIMMs</li><li>— Support for 4 Gb and 8 Gb memory technology</li><li>— Support for up to 32 GB of system memory with two SO-DIMMs using 8 Gb memory technology</li><li>— Support for non-ECC memory</li><li>— Support for 1.2 V low voltage JEDEC memory only</li></ul> Note: 2 Gb memory technology (SDRAM Density) is not compatible   |
| <b>Graphics</b>              | Integrated graphics support for processors with Intel® Graphics Technology: <ul style="list-style-type: none"><li>— Two High Definition Multimedia Interface* 2.0a (HDMI*) back panel connectors</li><li>— Flat panel displays via the internal Embedded DisplayPort* 1.4 (eDP) connector</li></ul>  |
| <b>Audio</b>                 | Intel® High Definition (Intel® HD) Audio via the HDMI v2.0a interface through the processor  |
| <b>Storage</b>               | SATA ports: <ul style="list-style-type: none"><li>— One SATA 6.0 Gb/s port (blue)</li><li>— One SATA 6.0 Gb/s port is reserved for an M.2 2280 module</li></ul> Note: Intel® NUC Board NUC7i5DNBE supports key type M (PCI Express* x1/x2/x4 and SATA)   |
| <b>Peripheral Interfaces</b> | USB 3.0 ports: <ul style="list-style-type: none"><li>— Two ports are implemented with external front panel connectors (blue)</li><li>— Two ports are implemented with external back panel connectors (blue)</li><li>— One port is implemented with an internal 1x10 1.25mm pitch header (white)</li></ul> USB 2.0 ports: <ul style="list-style-type: none"><li>— Two ports via two single-port internal 1x4 1.25 mm pitch headers (white)</li><li>— One port is reserved for an M.2 2230 Module (key type E)</li></ul> Serial Port 1x9 1.25mm pitch header(black)<br>HDMI CEC 1x4 1.25 mm pitch header (black) |

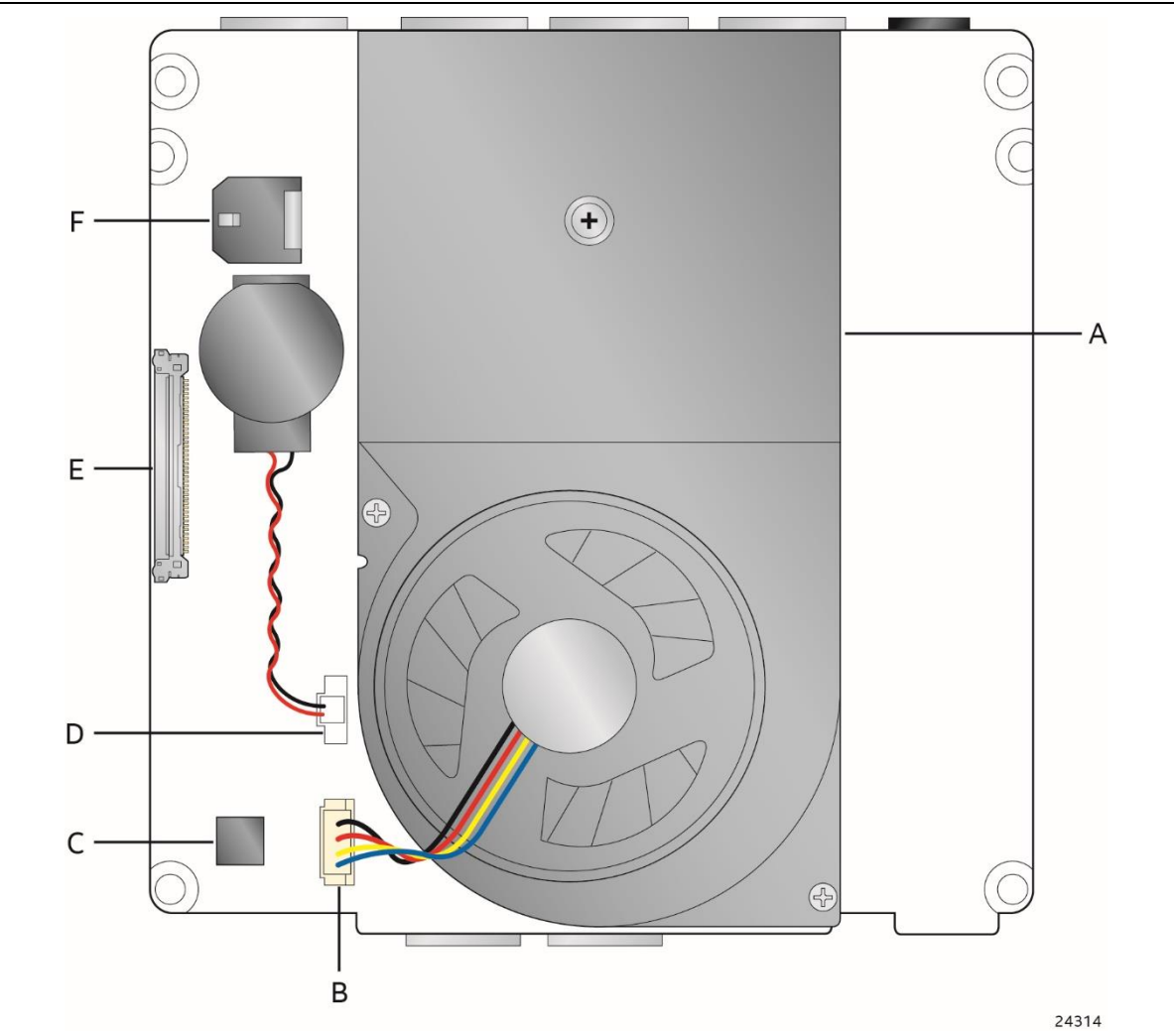
continued

**Table 1. Feature Summary (continued)**

|                                   |  |
|-----------------------------------|--|
| <b>Expansion Capabilities</b>     | One M.2 Module supporting M.2 2280 (key type M)<br>One M.2 Module supporting M.2 2230 (key type E)   |
| <b>BIOS</b>                       | Intel® BIOS resident in the Serial Peripheral Interface (SPI) Flash device<br>Support for Advanced Configuration and Power Interface (ACPI), Plug and Play, and System Management BIOS (SMBIOS)  |
| <b>LAN</b>                        | Gigabit (10/100/1000 Mb/s) LAN subsystem using the Intel® I219LM Gigabit Ethernet Controller   |
| <b>Hardware Monitor Subsystem</b> | Hardware monitoring subsystem, based on ITE Tech. ITE8987E-VG embedded controller, including:<br>Voltage sense to detect out of range power supply voltages<br>Thermal sense to detect out of range thermal values<br>One processor fan header<br>Fan sense input used to monitor fan activity<br>Fan speed control  |
| <b>Wireless (Kit only)</b>        | Intel® Dual Band Wireless-AC vPro 8265<br>— 802.11ac, Dual Band, 2x2 Wi-Fi + Bluetooth v4.2<br>— Maximum Transfer speed up to 867 Mbps<br>Supports Intel® Smart Connect Technology<br>Pre-installed M.2 module   |
| <b>Intel® vPro™ Technologies</b>  | Intel® Active Management Technology (Intel® AMT) 11.6<br>Intel® Virtualization (Intel® VT-x)<br>Intel® Virtualization for Directed I/O (Intel® VT-d)<br>Intel® Trusted Execution Technology (Intel® TXT)<br>Intel® Identity Protection Technology (Intel® IPT)<br>Intel® Software Guard Extensions (Intel® SGX)<br>Intel® Transparent Supply Chain (Intel® TSC)<br>Trusted Platform Module (TPM) 2.0 |

### 1.1.2 Board Layout (Top)

Figure 1 shows the location of the major components on the top-side of Intel NUC Board NUC7i5DNBE.



24314

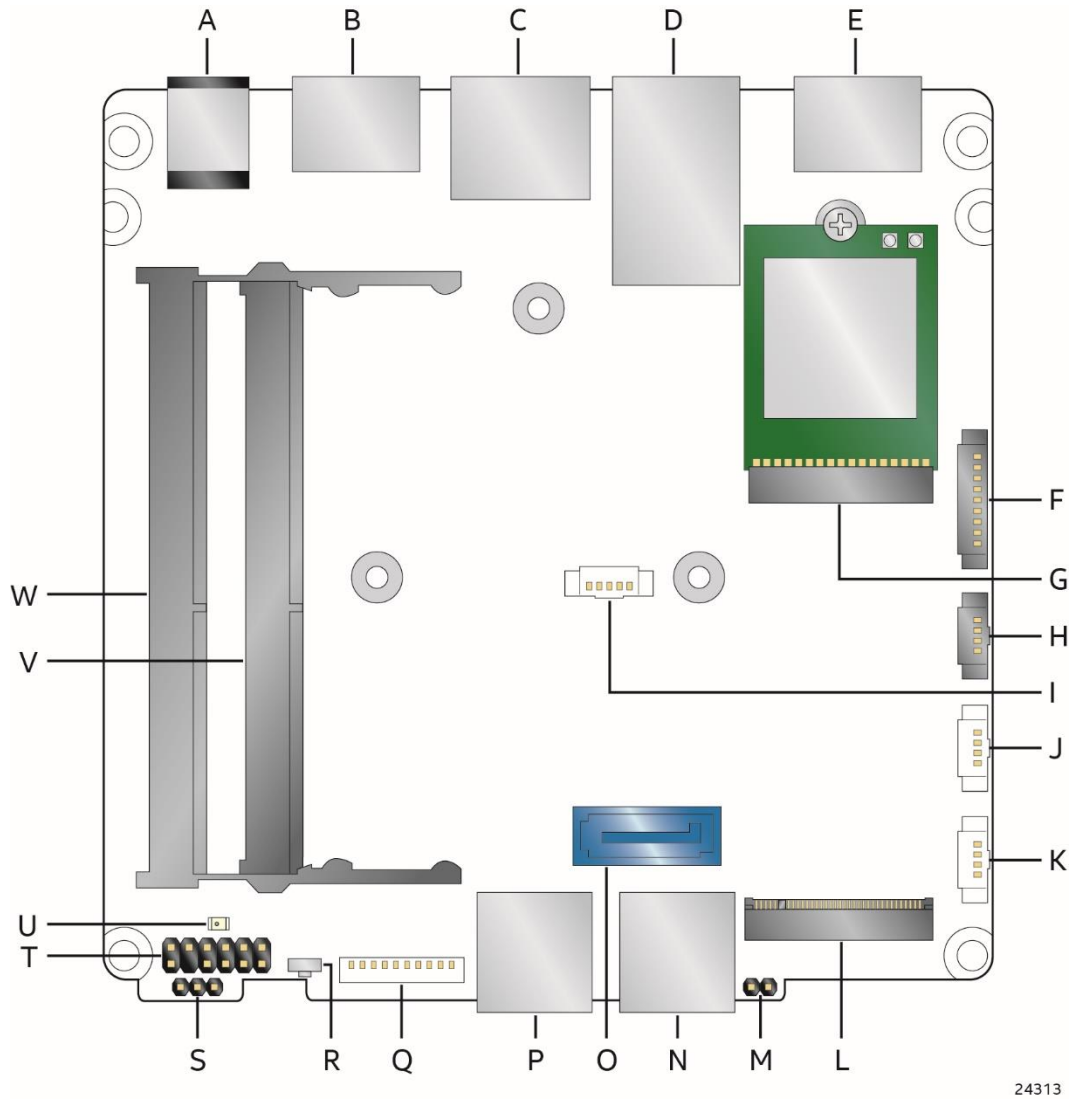
Figure 1. Major Board Components (Top)

Table 2. Components Shown in Figure 1

| Item from Figure 1 | Description                 |
|--------------------|-----------------------------|
| A                  | Thermal Solution            |
| B                  | Processor Fan Header        |
| C                  | SPI                         |
| D                  | Battery Header              |
| E                  | eDP Connector               |
| F                  | DC Internal Power Connector |

### 1.1.3 Board Layout (Bottom)

Figure 2 shows the location of the major components on the bottom-side of Intel NUC Board NUC7i5DNBE.



24313

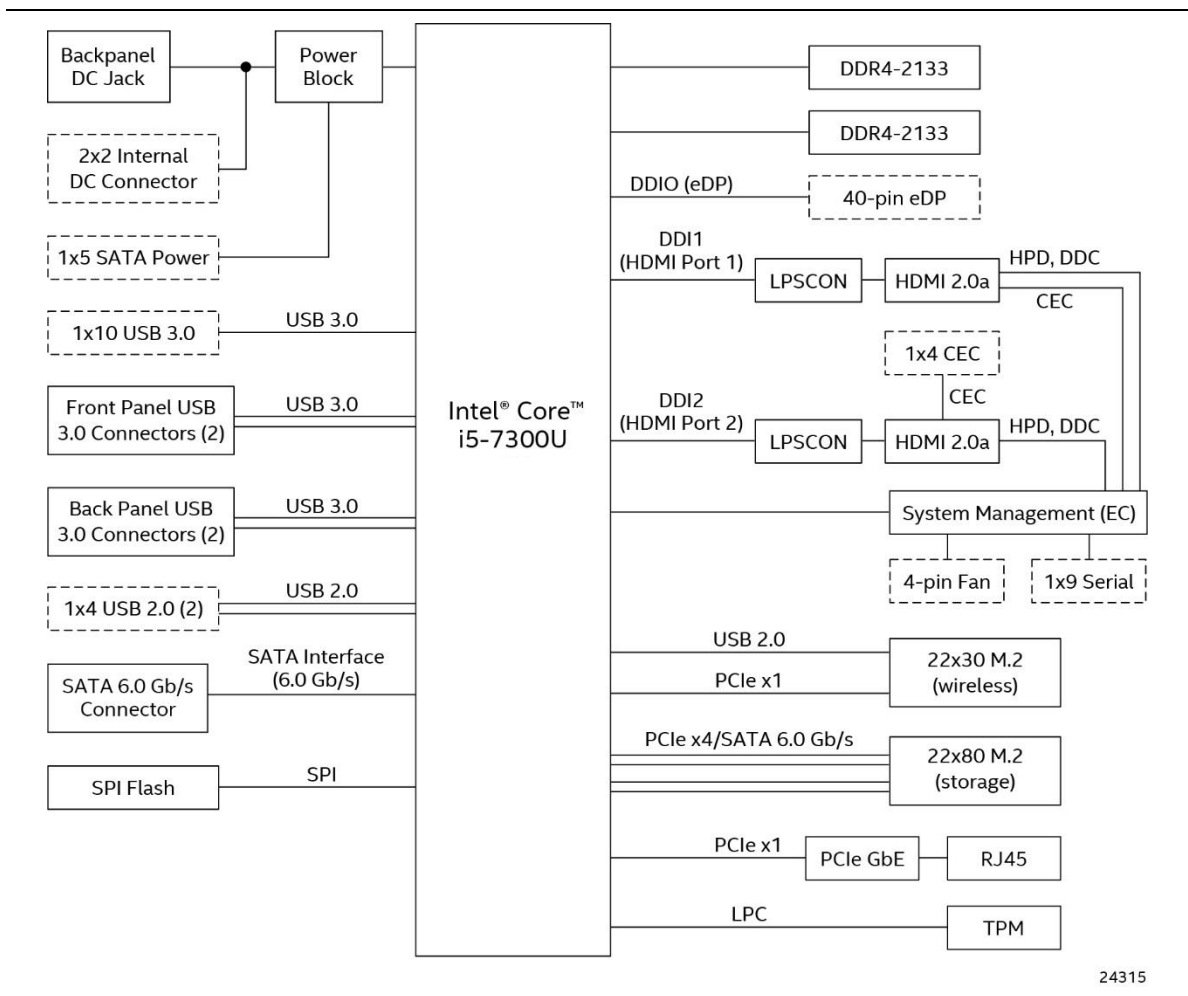
Figure 2. Major Board Components (Bottom)

**Table 2. Components Shown in Figure 2**

| <b>Item from Figure 2</b> | <b>Description</b>   |
|---------------------------|--|
| A                         | 12-24 V DC Input Jack  |
| B                         | HDMI 2.0a Port 1 with HDCP 2.2 Support and Built-In CEC Support    |
| C                         | LAN Connector  |
| D                         | Back Panel USB 3.0   |
| E                         | HDMI 2.0a Port 2   |
| F                         | Serial Port Header   |
| G                         | M.2 2230 Module Connector (Key Type E) (Wireless card on Kit only) |
| H                         | HDMI CEC   |
| I                         | SATA Power Header  |
| J                         | USB 2.0 Header   |
| K                         | USB 2.0 Header   |
| L                         | M.2 2280 Module Connector (Key Type M)                             |
| M                         | Intel® Management Engine BIOS Extension (Intel® MEBX) Reset Header |
| N                         | Front Panel USB 3.0  |
| O                         | SATA 6.0 Gb/s Connector  |
| P                         | Front Panel USB 3.0  |
| Q                         | USB 3.0 Header   |
| R                         | Front Panel Power Button   |
| S                         | BIOS Security Header   |
| T                         | Front Panel Header   |
| U                         | Standby Power LED  |
| V                         | DDR4 SO-DIMM 2 Socket  |
| W                         | DDR4 SO-DIMM 1 Socket  |

## 1.1.4 Block Diagram

Figure 3 is a block diagram of the major functional areas of the board.



24315

Figure 3. Block Diagram



## 1.2 Online Support

### To find information about...

Intel NUC Board/Kit NUC7i5DN  
 Intel NUC Board/Kit Support  
 High level details for Intel NUC Board/Kit NUC7i5DN  
 BIOS and driver updates  
 Tested memory  
 Integration information  
 Processor datasheet

### Visit this World Wide Web site:

<http://www.intel.com/NUC>  
<http://www.intel.com/NUCSupport>  
<http://ark.intel.com>  
<http://downloadcenter.intel.com>  
<http://www.intel.com/NUCSupport>  
<http://www.intel.com/NUCSupport>  
<http://ark.intel.com>

## 1.3 Processor

Intel NUC Board NUC7i5DNBE has a soldered-down 7<sup>th</sup> generation Intel Core i5-7300U dual-core processor with up to 15 W TDP:

- Intel® HD Graphics 620
- Integrated memory controller
- Integrated PCH



### NOTE

*There are specific requirements for providing power to the processor. Refer to Section 2.6.1 on page 59 for information on power supply requirements.*

## 1.4 System Memory

The board has two 260-pin SO-DIMM sockets and supports the following memory features:

- 1.2 V DDR4 SDRAM SO-DIMMs with gold plated contacts
- Two independent memory channels with interleaved mode support
- Unbuffered, single-sided or double-sided SO-DIMMs
- 32 GB maximum total system memory (with 8 Gb memory technology). Refer to Section 2.1.1 on page 39 for information on the total amount of addressable memory.
- Minimum recommended total system memory: 2048 MB
- Non-ECC SO-DIMMs
- Serial Presence Detect
- DDR4 1866/2133 MHz SDRAM SO-DIMMs
- Supports 4 Gb and 8 Gb memory technology (SDRAM Density)



## NOTE

To be fully compliant with all applicable DDR SDRAM memory specifications, the board should be populated with SO-DIMMs that support the Serial Presence Detect (SPD) data structure. This allows the BIOS to read the SPD data and program the chipset to accurately configure memory settings for optimum performance. If non-SPD memory is installed, the BIOS will attempt to correctly configure the memory settings, but performance and reliability may be impacted or the SO-DIMMs may not function under the determined frequency.



## NOTE

Intel NUC Board NUC7i5DNBE supports only 4 Gb and 8 Gb memory technologies (also referred to as “SDRAM density”). Table 3 lists the supported SO-DIMM configurations. Table 4 lists the SO-DIMM configurations that are **not** supported.

**Table 3. Supported Memory Configurations**

| SO-DIMM Capacity | Configuration <sup>(Note)</sup> | SDRAM Density | SDRAM Organization Front-side/Back-side | Number of SDRAM Devices |
|------------------|---------------------------------|---------------|---|-------------------------|
| 2048 MB          | SS                              | 4 Gbit        | 512 M x4/empty                          | 4                       |
| 4096 MB          | DS                              | 4 Gbit        | 512 M x4/512 M x4                       | 8                       |
| 4096 MB          | SS                              | 8 Gbit        | 1024 M x4/empty                         | 4                       |
| 8192 MB          | DS                              | 4 Gbit        | 512 M x8/512 M x8                       | 16                      |
| 8192 MB          | DS                              | 8 Gbit        | 1024 M x4/1024 M x4                     | 8                       |
| 16384 MB         | DS                              | 8 Gbit        | 1024 M X8/1024 M x8                     | 16                      |

Note: “DS” refers to double-sided memory modules and “SS” refers to single-sided memory modules.

**Table 4. Unsupported Memory Configurations**

| SO-DIMM Capacity | Configuration <sup>(Note)</sup> | SDRAM Density | SDRAM Organization Front-side/Back-side | Number of SDRAM Devices |
|------------------|---------------------------------|---------------|---|-------------------------|
| 1024 MB          | SS                              | 1 Gbit        | 128 M x8/empty                          | 8                       |
| 2048 MB          | DS                              | 1 Gbit        | 128 M x8/128 M x8                       | 16                      |
| 2048 MB          | SS                              | 2 Gbit        | 256 M x8/empty                          | 8                       |
| 4096 MB          | DS                              | 2 Gbit        | 256 M x8/256 M x8                       | 16                      |

Note: “DS” refers to double-sided memory modules and “SS” refers to single-sided memory modules.

**For information about...**

**Refer to:**

Tested Memory

<http://www.intel.com/NUCSupport>

Figure 4 illustrates the memory channel and SO-DIMM configuration.

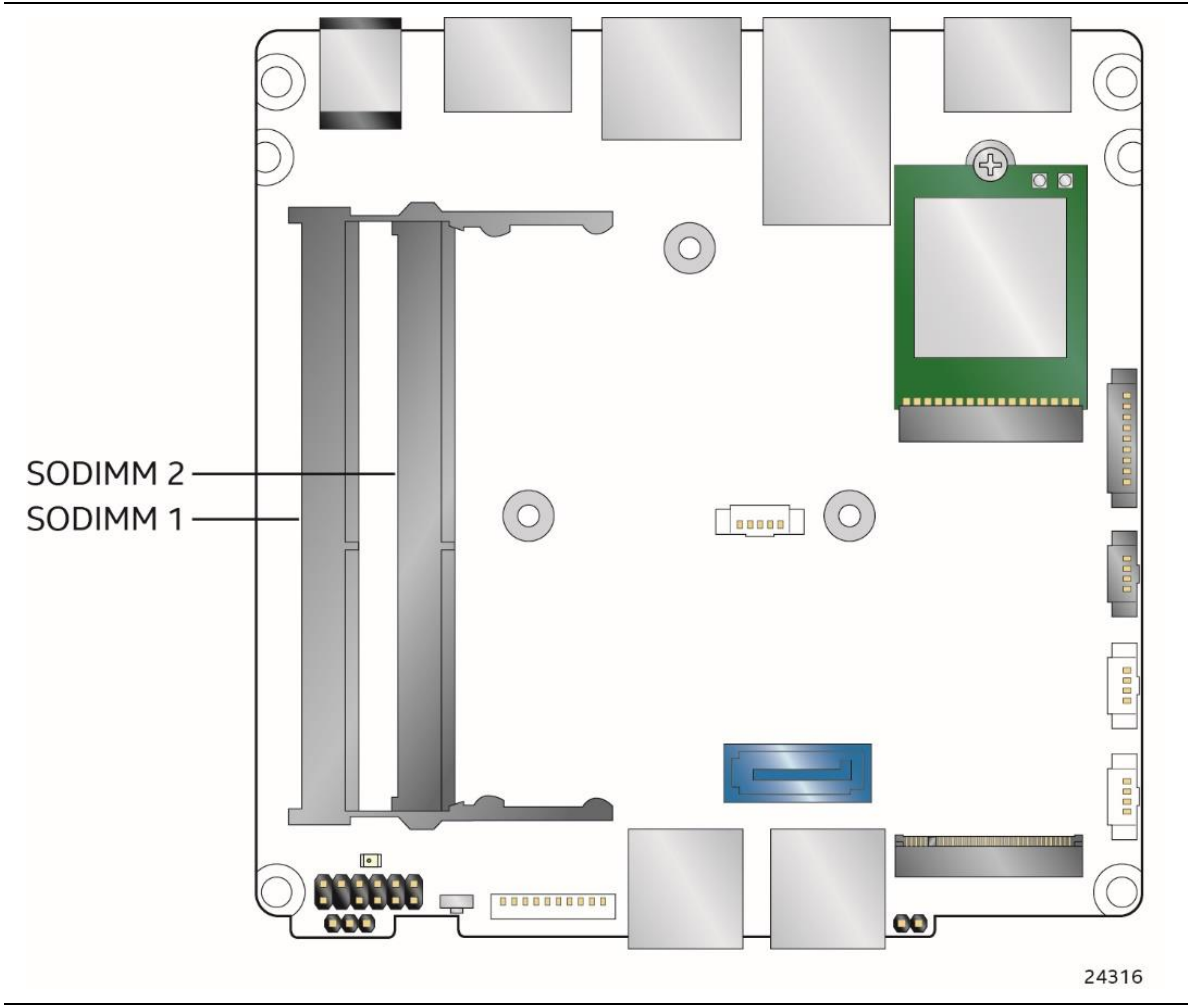


Figure 4. Memory Channel and SO-DIMM Configuration

## 1.5 Processor Graphics Subsystem

The board supports graphics through Intel® HD Graphics 620.

### 1.5.1 Integrated Graphics

The board supports integrated graphics via the processor.

#### 1.5.1.1 Intel® High Definition (Intel® HD) Graphics

The Intel® HD Graphics 620 controller features the following:

- 3D Features
  - DirectX\* 12 support
  - OpenGL\* 4.4 support
- Display
  - Supports eDP flat panel displays up to 3840 x 2160 at 60 Hz
  - Supports HDMI displays up to 4096 x 2160 at 60 Hz
- Next Generation Intel® Clear Video Technology HD support is a collection of video playback and enhancement features that improve the end user's viewing experience
- Encode/transcode HD content
- Playback of high definition content including Blu-ray\* disc
- Superior image quality with sharper, more colorful images
- DirectX\* Video Acceleration (DXVA) support for accelerating video processing
- Full AVC/VC1/MPEG2/HEVC/VP8/JPEG HW Decode
- Intel HD Graphics with Advanced Hardware Video Transcoding (Intel® Quick Sync Video)
- HDR 10 (High Dynamic Range 10 bit)
- HDCP (High-bandwidth Digital Content Protection) 2.2



#### NOTE

*Intel Quick Sync Video is enabled by an appropriate software application.*

*HDMI 2.0a enabled by a LSPCON (DisplayPort 1.2 to HDMI 2.0a controller). Stereo 3D (S3D) technology is not supported.*

#### 1.5.1.2 High Definition Multimedia Interface\* (HDMI\*)

The HDMI ports are HDMI 2.0a specification compliant and support standard, enhanced, or high definition video, plus multi-channel digital audio on a single cable. The port is compatible with all ATSC and DVB HDTV standards and supports thirty-two full range channels of lossless audio formats. The system can support up to two displays at the maximum supported resolution of 4096 x 2160 @ 60 Hz, 24bpp.

**For information about**

HDMI technology

**Refer to**

<http://www.hdmi.org>

#### 1.5.1.2.1 Integrated Audio Provided by the HDMI Interfaces

The following audio technologies are supported by the HDMI 2.0a interface:

- AC3 – Dolby\* Digital
- Dolby Digital Plus
- DTS-HD\*
- 192kHz/24-bit or 176.4 kHz/24-bit, 32 Channel
- Dolby True HD, DTS-HD Master Audio\* (Lossless Blu-ray Disc\* Audio Format)

### 1.5.1.3 High-bandwidth Digital Content Protection (HDCP)

HDMI Port 1 supports HDCP 2.2. HDCP is the technology for protecting high definition content against unauthorized copy or interception between a source (computer, digital set top boxes, etc.) and the sink (panels, monitor, and TVs). The PCH supports HDCP 2.2 for content protection over wired displays.

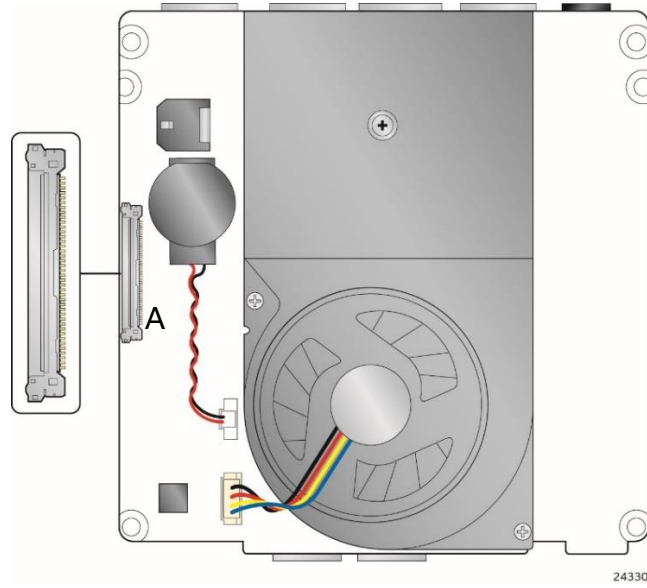
### 1.5.1.4 HDMI Consumer Electronics Control (CEC)

The system provides built-in HDMI CEC support on port 1 (refer to Figure 2), as well as a header for 3<sup>rd</sup> party HDMI CEC daughtercard support on HDMI port 2. The built-in HDMI CEC feature is OS agnostic and supports bi-directional power on/off control between the system and the attached display, as well as automatic HDMI input port detection from the display. This feature can be enabled and configured in BIOS Setup (Advanced → Display tab). Additional HDMI CEC capabilities can be implemented on HDMI port 2 using a 3<sup>rd</sup> party daughtercard, which allows bi-directional power on/off control and other capabilities as supported by the daughtercard, such as the use of the media buttons on the display's remote controller.

| For information about   | Refer to  |
|-------------------------|---|
| HDMI CEC feature on NUC | <a href="https://www.intel.com/content/www/us/en/support/articles/000023500/mini-pcs/intel-nuc-kits.html">https://www.intel.com/content/www/us/en/support/articles/000023500/mini-pcs/intel-nuc-kits.html</a> |

### 1.5.1.5 Flat Panel Display Interfaces

The board supports flat panel displays via the Embedded DisplayPort interface. Figure 5 shows the flat panel connector on the bottom-side of the board.



| Item | Description                    |
|------|--------------------------------|
| A    | Embedded DisplayPort Connector |

**Figure 5. eDP Connector on Bottom-side of the Board**

#### 1.5.1.5.1 Embedded DisplayPort (eDP) Interface

The Embedded DisplayPort 1.4 (eDP) flat panel display interface supports the following:

- Maximum resolution of 3840 x 2160 at 60 Hz
- 4-lane bandwidth at 5.4 GT/s
- Multiple EDID data source capability (panel, predefined, and custom payloads)
- 3.3V flat panel display voltage
- 0.6A of maximum backlight current capability
- Backlight power voltage same as NUC board DC power source
- Board connector used is I-PEX-20455-040E-12, or compatible.
- Mating plug is I-PEX 20453-040T, or compatible.

#### 1.5.1.5.2 Configuration Modes

Video mode configuration for eDP displays is supported as follows:

- Panel: automatic panel identification via Extended Display Identification Data (EDID) for panels with onboard EDID support
- Predefined: panel selection from common predefined panel types
- Custom payloads: custom EDID payload installation for ultimate parameter flexibility, allowing custom definition of EDID data on panels without onboard EDID

In addition, BIOS setup provides the following configuration parameters for internal flat panel displays when a display is connected prior to booting:

- Color Depth: allows the system integrator to select whether the panel is 24 bpp with VESA or JEIDA color mapping, or 18 bpp.

- eDP Interface Type: allows the system integrator to select whether the eDP panel is a single-lane, dual-lane, or quad-lane display.
- eDP Data Rate: allows the system integrator to select whether the eDP panel runs at 1.62 Gb/s, 2.7 Gb/s, or 5.4 Gb/s.
- Inverter Frequency and Polarity: allows the system integrator to set the operating frequency and polarity of the panel inverter board.
- Maximum and Minimum Inverter Current Limit (%): allows the system integrator to set maximum PWM%, as appropriate, according to the power requirements of the internal flat panel display and the selected inverter board.



## NOTE

Support for flat panel display configuration complies with the following:

1. Internal flat panel display settings will be preserved across BIOS updates.
2. Backlight inverter voltage option "Vin" refers to board input voltage as provided to board power input connector.

### 1.5.1.6 EDID Emulation Modes

The board supports emulation of displays so that the system may be remotely accessed in a headless configuration, or be capable of tolerating display connectivity interruptions without the operating system redetecting and rearranging the overall display layout. The display emulation feature may be enabled in BIOS Setup (Advanced → Video → "Display Emulation" drop down menu), with the following options:

- "No display emulation" (default selection): the system operates normally.
- "Headless display emulation": provides a virtual display when no displays are connected to the HDMI ports. The system creates a virtual 1280x1024 display when it boots with no displays connected.
- "Persistent display emulation": The purpose of Persistent Display Mode is to "emulate" that both displays are always connected. Persistent Display Mode prevents the GFX engine from automatically reassigning the content of a temporarily disconnected display to the remaining display. When Persistent Display Mode is selected the EC asserts that both HDMI ports are always connected to a display no matter their actual connection status. The EDID information from each display will remain programmed through S3, S4, and S5 power states, until the feature is disabled or a power cycle event (G3 global state) occurs.



## NOTE

"Persistent display emulation" is not compatible with HDCP 2.2 displays.

When using "Persistent display emulation" it would be expected behavior for the system not to properly drive displays different than those connected when the feature was enabled, as the EDID parameters of the initially connected displays are still being driven by the system. In order to retrain "Persistent display emulation" with a different display configuration a power cycle (AC power loss) is required.

## 1.6 USB

The board supports eight USB ports. All eight ports are high-speed, full-speed, and low-speed capable. The port arrangement is as follows:

- USB 3.0 ports:
  - Two ports are implemented with external front panel connectors (blue)
  - Two ports are implemented with external back panel connectors (blue)
  - One port is implemented with a 1x10 1.25mm internal header (white)
- USB 2.0 ports:
  - Two ports via two single-port internal 1x4 1.25 mm pitch headers (white)
  - One port is reserved for the M.2 2230 Module Connector (Key Type E) (Wireless card on Kit only)



### NOTE

*Computer systems that have an unshielded cable attached to a USB port may not meet FCC Class B requirements, even if no device is attached to the cable. Use a shielded cable that meets the requirements for full-speed devices.*

| For information about                                | Refer to           |
|--|--------------------|
| The location of the USB connectors on the back panel | Figure 10, page 40 |
| The location of the front panel USB headers          | Figure 9, page 40  |
| The location of the internal connectors              | Figure 12, page 42 |

## 1.7 SATA Interface

The board provides the following SATA interfaces:

- One internal M.2 SATA port supporting M.2 2280 (key type M) modules
- One SATA 6.0 Gb/s port (blue)

The PCH provides independent SATA ports with a theoretical maximum transfer rate of 6 Gb/s. A point-to-point interface is used for host to device connections.

### 1.7.1 AHCI Mode

The board supports AHCI storage mode.



### NOTE

*In order to use AHCI mode, AHCI must be enabled in the BIOS. Microsoft\* Windows\* 10 includes the necessary AHCI drivers without the need to install separate AHCI drivers during the operating system installation process; however, it is always good practice to update the AHCI drivers to the latest available by Intel.*



## 1.7.2 NVMe

The board supports M.2 NVMe Express\* (NVMe) drives. NVMe is an optimized, high-performance scalable host controller interface designed to utilize PCIe-based solid-state storage. NVMe is designed to provide efficient access to storage devices built with non-volatile memory, from current NAND flash technology to future, higher performing persistent memory technologies like Optane. NVMe is designed to meet serial bandwidth requirements and very high IOPs. It is based on PCIe Gen 3 and can deliver up to 4GB/s bandwidth. Current NVMe is based on version 1.3 of the specification.

## 1.7.3 Intel® Rapid Storage Technology / SATA RAID

The PCH supports Intel® Rapid Storage Technology, providing both AHCI and integrated RAID functionality. The RAID capability provides high-performance RAID 0 and 1 functionality on all SATA ports. Other RAID features include hot spare support, SMART alerting, and RAID 0 auto replace. Software components include an Option ROM for pre-boot configuration and boot functionality, a Microsoft Windows compatible driver, and a user interface for configuration and management of the RAID capability of the PCH.



### NOTE

Intel Rapid Storage Technology / SATA RAID is only supported if an M.2 SATA SSD module is used with the onboard SATA interface. RAID is not available with an M.2 NVMe SSD module and onboard SATA interface. Supported on chassis with 2.5 inch SATA HDD capability.

## 1.7.4 Intel® Next Generation Storage Acceleration

Intel® Next Generation Storage Acceleration with Intel® Optane™ Technology is a disk caching solution that can provide improved computer system performance with improved power savings. It allows configuration of a computer system with the advantage of having HDDs for maximum storage capacity and with Intel® Optane™ Technology for improved system performance. Supported on chassis with 2.5 inch SATA HDD capability.

For more information on Intel® Optane™ Technology, go to <http://www.intel.com/content/www/us/en/architecture-and-technology/non-volatile-memory.html>

## 1.8 Real-Time Clock Subsystem

A coin-cell battery (CR2032) powers the real-time clock and CMOS memory. When the computer is not plugged into a wall socket, the battery has an estimated life of three years. When the computer is plugged in, the standby current from the power supply extends the life of the battery. The clock is accurate to  $\pm 13$  minutes/year at 25 °C with 3.3 VSB applied via the power supply 5 V STBY rail.



### NOTE

*If the battery and AC power fail, date and time values will be reset and the user will be notified during the POST.*

When the voltage drops below a certain level, the BIOS Setup program settings stored in CMOS RAM (for example, the date and time) might not be accurate. Replace the battery with an equivalent one. Figure 1 on page 13 shows the location of the battery.



### CAUTION

*Risk of explosion if the battery is replaced with an incorrect type. Batteries should be recycled where possible. Disposal of used batteries must be in accordance with local environmental regulations.*

## 1.9 Audio Subsystem Software

Audio is supported through the HDMI 2.0a ports interface through the processor and supports eight full range channels of lossless audio formats per port. When using an encoded format (such as DTS-HD MA or Dolby True HD) the board supports a single 7.1 stream. When using an un-encoded format the board supports 8 discrete, un-encoded channels per HDMI port simultaneously, for a total of 16 discrete/un-encoded channels.

### 1.9.1 Audio Subsystem Software

Audio drivers are built into the Graphics driver and are available from Intel's website.

| For information about              | Refer to  |
|------------------------------------|---|
| Obtaining NUC software and drivers | <a href="http://downloadcenter.intel.com">http://downloadcenter.intel.com</a> |

## 1.10 LAN Subsystem

The LAN subsystem consists of the following:

- Intel I219LM Gigabit Ethernet Controller (10/100/1000 Mb/s)
- RJ-45 LAN connector with integrated status LEDs

Additional features of the LAN subsystem include:

- CSMA/CD protocol engine
- LAN connect interface between the Processor and the LAN controller
- Power management capabilities
  - ACPI technology support
  - LAN wake capabilities
- LAN subsystem software

---

**For information about**

LAN software and drivers

**Refer to**

<http://downloadcenter.intel.com>

---

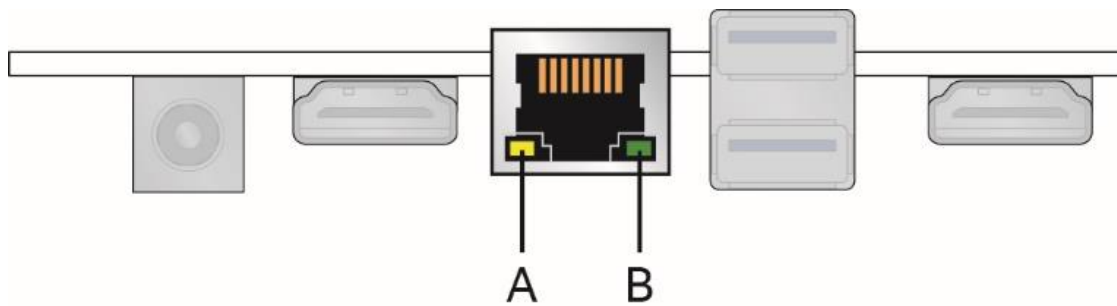
### 1.10.1 Intel® I219LM Gigabit Ethernet Controller

The Intel I219LM Gigabit Ethernet Controller supports the following features:

- Compliant with the 1 Gb/s Ethernet 802.3, 802.3u, 802.3z, 802.3ab specifications
- Multi-speed operation: 10/100/1000 Mb/s
- Full-duplex operation at 10/100/1000 Mb/s; Half-duplex operation at 10/100 Mb/s
- Flow control support compliant with the 802.3X specification as well as the specific operation of asymmetrical flow control defined by 802.3z
- VLAN support compliant with the 802.3q specification
- Supports Jumbo Frames (up to 9 kB)
  - IEEE 1588 supports (Precision Time protocol)
- MAC address filters: perfect match unicast filters, multicast hash filtering, broadcast filter, and promiscuous mode

## 1.10.2 RJ-45 LAN Connector with Integrated LEDs

Two LEDs are built into the RJ-45 LAN connector (shown in Figure 6).



24321

| Item | Description                  |
|------|------------------------------|
| A    | Link LED (Green)             |
| B    | Data Rate LED (Green/Yellow) |

**Figure 6. LAN Connector LED Locations**

Table 5 describes the LED states when the board is powered up and the LAN subsystem is operating.

**Table 5. LAN Connector LED States**

| LED       | LED Color    | LED State | Condition                        |
|-----------|--------------|-----------|----------------------------------|
| Link      | Green        | Off       | LAN link is not established.     |
|           |              | On        | LAN link is established.         |
|           |              | Blinking  | LAN activity is occurring.       |
| Data Rate | Green/Yellow | Off       | 10 Mb/s data rate is selected.   |
|           |              | Green     | 100 Mb/s data rate is selected.  |
|           |              | Yellow    | 1000 Mb/s data rate is selected. |

### 1.10.3 Wireless Network Module

The Intel Dual Band Wireless-AC vPro 8265 module provides hi-speed wireless connectivity provided with the following capabilities and is supported by Intel vPro Technology. The wireless module is included with Kit SKUs only:

- Compliant IEEE 802.11a/b/g/n/ac, 802.11d, 802.11e, 802.11i, 802.11w, 802.11r, 802.11k, 802.11v (pending OS support) specifications
- Maximum bandwidth of 867 Mbps
- Dual Mode Bluetooth\* 4.2
- Wi-Fi Direct\* for peer to peer device connections
- Wi-Fi Miracast\* as Source
- Authentication: WPA and WPA2, 802.1X (EAP-TLS, TTLS, PEAP, LEAP, EAP-FAST), EAP-SIM, EAP-AKA
- Encryption: 64-bit and 128-bit WEP, 128-bit AES-CCMP

| For information about               | Refer to  |
|-------------------------------------|---|
| Obtaining WLAN software and drivers | <a href="http://downloadcenter.intel.com">http://downloadcenter.intel.com</a> |
| Full Specifications                 | <a href="http://intel.com/wireless">http://intel.com/wireless</a>             |

## 1.11 Hardware Management Subsystem

The board has several hardware management features, including thermal and voltage monitoring.

### 1.11.1 Hardware Monitoring

The hardware monitoring and fan control subsystem is based on an ITE Tech. ITE8987E-VG embedded controller, which supports the following:

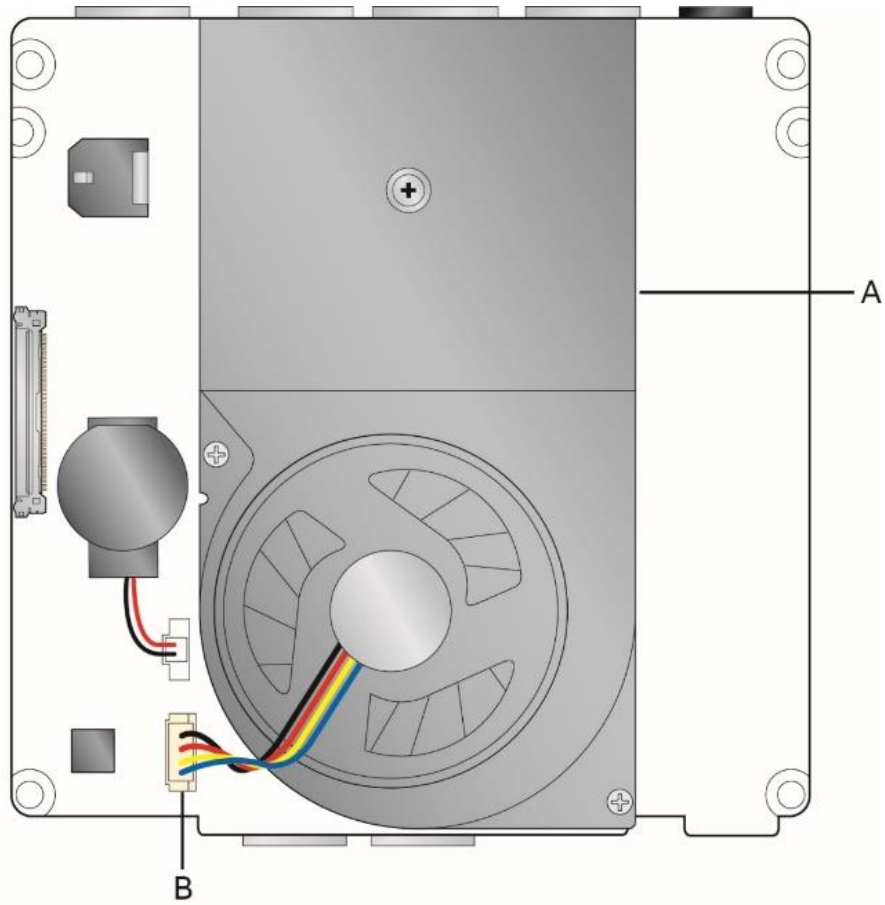
- Processor and system ambient temperature monitoring
- Fan speed monitoring
- Voltage monitoring of CPU IO Vcc (+Vccio), Memory Vcc (V\_SM), CPU IN Vcc (+Vccp)
- SMBus communication with internal components

### 1.11.2 Fan Monitoring

Fan monitoring can be implemented using third-party software.

### 1.11.3 Thermal Solution

Figure 7 shows the location of the thermal solution and processor fan header.



24317

| Item | Description          |
|------|----------------------|
| A    | Thermal Solution     |
| B    | Processor Fan Header |

**Figure 7. Thermal Solution and Fan Header**

## 1.12 Power Management

Power management is implemented at several levels, including:

- Software support through Advanced Configuration and Power Interface (ACPI)
- Hardware support:
  - Power Input
  - LAN wake capabilities
  - Wake from USB
  - +5 V Standby Power Indicator LED

### 1.12.1 ACPI

ACPI gives the operating system direct control over the power management and Plug and Play functions of a computer. The use of ACPI with this board requires an operating system that provides full ACPI support. ACPI features include:

- Plug and Play (including bus and device enumeration)
- Power management control of individual devices, add-in boards (some add-in boards may require an ACPI-aware driver), video displays, and hard disk drives
- Methods for achieving less than 15-watt system operation in the power-on/standby sleeping state
- A Soft-off feature that enables the operating system to power-off the computer
- Support for multiple wake-up events (see Table 8 on page 33)
- Support for a front panel power and sleep mode switch

Table 6 lists the system states based on how long the power switch is pressed, depending on how ACPI is configured with an ACPI-aware operating system.

**Table 6. Effects of Pressing the Power Switch**

| If the system is in this state...   | ...and the power switch is pressed for | ...the system enters this state                                |
|-------------------------------------|--|--|
| Off<br>(ACPI G2/G5 – Soft off)      | Less than four seconds                 | Power-on<br>(ACPI G0 – working state)                          |
| On<br>(ACPI G0 – working state)     | Less than four seconds                 | Soft-off/Standby<br>(ACPI G1 – sleeping state) <sup>Note</sup> |
| On<br>(ACPI G0 – working state)     | More than six seconds                  | Fail safe power-off<br>(ACPI G2/G5 – Soft off)                 |
| Sleep<br>(ACPI G1 – sleeping state) | Less than four seconds                 | Wake-up<br>(ACPI G0 – working state)                           |
| Sleep<br>(ACPI G1 – sleeping state) | More than six seconds                  | Power-off<br>(ACPI G2/G5 – Soft off)                           |

Note: Depending on power management settings in the operating system.

### 1.12.1.1 System States and Power States

Under ACPI, the operating system directs all system and device power state transitions. The operating system puts devices in and out of low-power states based on user preferences and knowledge of how devices are being used by applications. Devices that are not being used can be turned off. The operating system uses information from applications and user settings to put the system as a whole into a low-power state.

Table 7 lists the power states supported by the board along with the associated system power targets. See the ACPI specification for a complete description of the various system and power states.

**Table 7. Power States and Targeted System Power**

| <b>Global States</b>   | <b>Sleeping States</b>                                   | <b>Processor States</b> | <b>Device States</b>   |
|--|--|-------------------------|--|
| G0 – working state   | S0 – working   | C0 – working            | D0 – working state.  |
| G1 – sleeping state  | S3 – Suspend to RAM.<br>Context saved to RAM.            | No power                | D3 – no power except for wake-up logic.  |
| G1 – sleeping state  | S4 – Suspend to disk.<br>Context saved to disk.          | No power                | D3 – no power except for wake-up logic.  |
| G2/S5  | S5 – Soft off. Context not saved. Cold boot is required. | No power                | D3 – no power except for wake-up logic.  |
| G3 – mechanical off<br>AC power is disconnected from the computer. | No power to the system.                                  | No power                | D3 – no power for wake-up logic, except when provided by battery or external source. |

Notes:

1. Total system power is dependent on the system configuration, including add-in boards and peripherals powered by the system chassis' power supply.
2. Dependent on the standby power consumption of wake-up devices used in the system.



### 1.12.1.2 Wake-up Devices and Events

Table 8 lists the devices or specific events that can wake the computer from specific states.

**Table 8. Wake-up Devices and Events**

| Devices/events that wake up the system... | ...from this sleep state    | Comments  |
|---|-----------------------------|---|
| Power switch                              | S3, S4, S5 <sup>1</sup>     |   |
| RTC alarm                                 | S3, S4, S5 <sup>1</sup>     | Monitor to remain in sleep state                                      |
| LAN                                       | S3, S4, S5 <sup>1,3</sup>   | "S5 WOL after G3" must be supported; monitor to remain in sleep state |
| WIFI                                      | S3, S4, S5 <sup>1,3</sup>   | "S5 WOL after G3" must be supported; monitor to remain in sleep state |
| Bluetooth                                 | S3 <sup>1</sup>             |   |
| USB                                       | S3, S4, S5 <sup>1,2,3</sup> | Wake S4, S5 controlled by BIOS option (not after G3)                  |
| HDMI CEC                                  | S3, S4, S5 <sup>1</sup>     | Emulates power button push  |
| Serial                                    | N/A                         | Wake from Serial is not supported                                     |

Notes:

1. S4 implies operating system support only.
2. Will not wake from Deep S4/S5. USB S4/S5 Power is controlled by BIOS. USB S5 wake is controlled by BIOS. USB S4 wake is controlled by OS driver, not just BIOS option.
3. Windows Fast startup will block wake from LAN and USB from S5.



#### **NOTE**

*The use of these wake-up events from an ACPI state requires an operating system that provides full ACPI support. In addition, software, drivers, and peripherals must fully support ACPI wake events.*

### 1.12.2 Hardware Support

The board provides several power management hardware features, including:

- Wake from Power Button signal  
When resuming from an AC power failure, the computer returns to the power state defined in the BIOS. Available states are "Power On", "Stay Off", and "Last State".
- LAN wake capabilities  
Enables remote wake-up of the computer through a network. The LAN subsystem monitors network traffic at the Media Independent Interface. Upon detecting a Magic Packet\* frame, the LAN subsystem asserts a wake-up signal that powers up the computer.
- Wake from USB  
USB bus activity wakes the computer from an ACPI S3 state (not after G3).
- +5 V Standby Power Indicator LED  
The standby power indicator LED shows that power is still present even when the computer appears to be off. Figure 8 shows the location of the standby power LED.



## NOTE

The use of Wake from USB from an ACPI state requires an operating system that provides full ACPI support. Wake from USB requires the use of a USB peripheral that supports Wake from USB.



## CAUTION

If AC power has been switched off and the standby power indicator is still lit, disconnect the power cord before installing or removing any devices connected to the board. Failure to do so could damage the board and any attached devices.

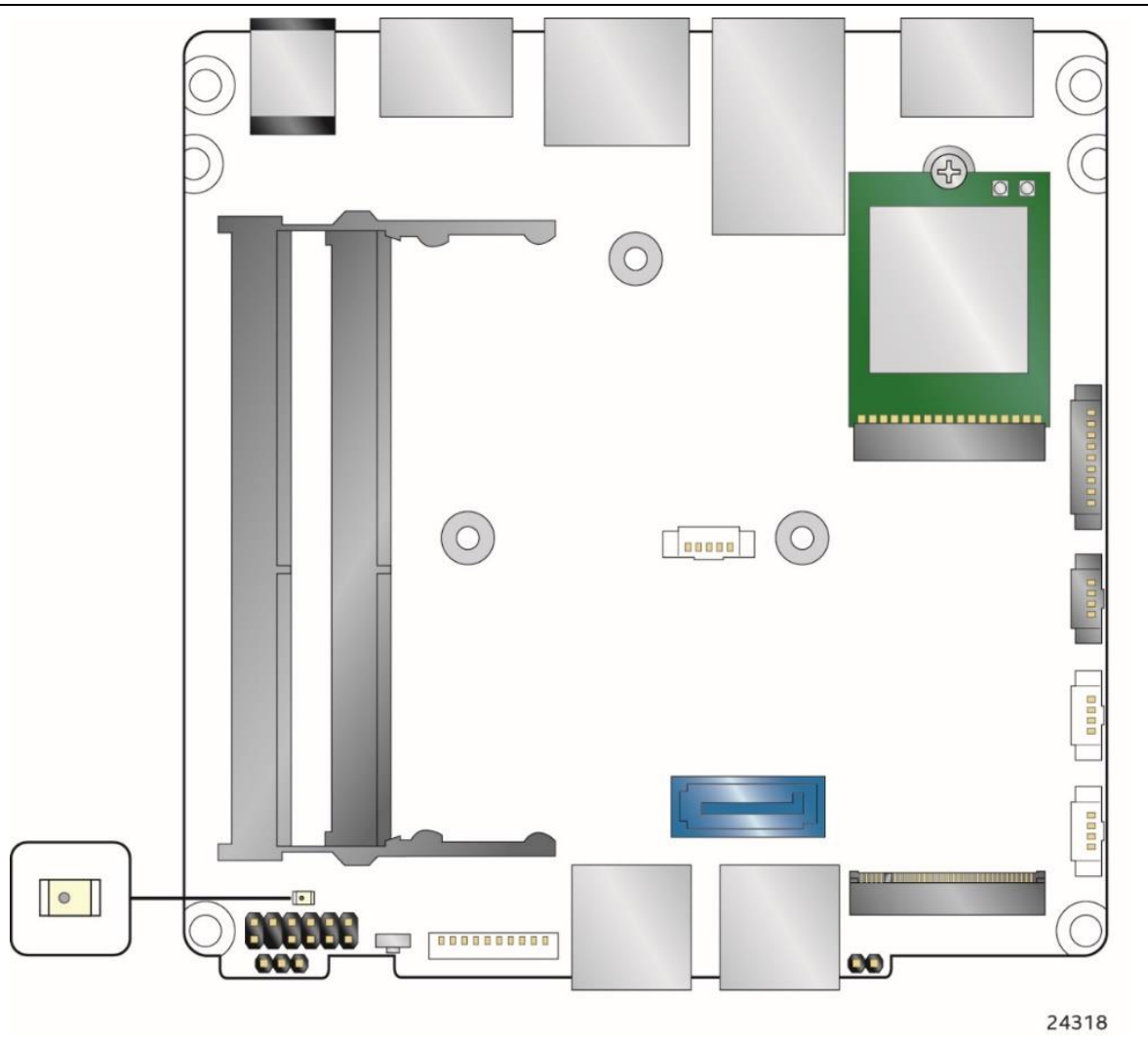


Figure 8. Location of the Standby Power LED

## 1.13 Intel® Security and Manageability Technologies

Intel® Security and Manageability Technologies provides tools and resources to help small business owners and IT organizations protect and manage their assets in a business or institutional environment.



### NOTE

*Software with security and/or manageability capability is required to take advantage of Intel platform security and/or management technologies.*

### 1.13.1 Intel® vPro™ Technology

Intel® vPro™ Technology is a collection of platform capabilities that support enhanced manageability, security, virtualization and power efficiency. The key platform capabilities include:

- Intel® Active Management Technology (Intel® AMT) 11.6
- Intel® Virtualization (Intel® VT-x)
- Intel® Virtualization for Directed I/O (Intel® VT-d)
- Intel® Trusted Execution Technology (Intel® TXT)
- Intel® Identity Protection Technology (Intel® IPT)
- Intel® Software Guard Extensions (Intel® SGX)
- Intel® Transparent Supply Chain (Intel® TSC)
- Trusted Platform Module 2.0 (TPM)

#### For information about

#### Refer to

Intel® vPro Technology

<http://support.intel.com/support/vpro/>

#### 1.13.1.1 Intel® Active Management Technology 11.6

When used with third-party management and security applications, Intel Active Management Technology (Intel® AMT) allows business owners and IT organizations to better discover, heal, and protect their networked computing assets.

Some of the features of Intel AMT include:

- Out-of-band (OOB) system access, to discover assets even while PCs are powered off
- Remote trouble-shooting and recovery, which allows remote diagnosis and recovery of systems after OS failures
- Hardware-based agent presence checking that automatically detects and alerts when critical software agents have been stopped or are missing
- Proactive network defense, which uses filters to block incoming threats while isolating infected clients before they impact the network
- Remote hardware and software asset tracking, helping to track computer assets and keep virus protection up-to-date
- Keyboard, video and mouse (KVM) remote control, which allows redirection of a managed system's video to a remote console which can then interact with it using the console's own mouse and keyboard



## NOTE

*Intel AMT requires a network connector and an Intel AMT enabled remote management console. Setup requires additional configuration of the platform.*

| For information about | Refer to |
|-----------------------|----------|
|-----------------------|----------|

|                                     |  |
|-------------------------------------|--|
| Intel® Active Management Technology | <a href="http://www.intel.com/technology/platform-technology/intel-amt/index.htm">http://www.intel.com/technology/platform-technology/intel-<br/>amt/index.htm</a> |
|-------------------------------------|--|

### 1.13.1.2 Intel® Virtualization Technology

Intel® Virtualization Technology (Intel® VT-x) is a hardware-assisted technology that, when combined with software-based virtualization solutions, provides maximum system utilization by consolidating multiple environments into a single server or client.



## NOTE

*A processor with Intel VT does not guarantee that virtualization will work on your system. Intel VT requires a computer system with a chipset, BIOS, enabling software and/or operating system, device drivers, and applications designed for this feature.*

| For information about | Refer to |
|-----------------------|----------|
|-----------------------|----------|

|                                  |   |
|----------------------------------|---|
| Intel® Virtualization Technology | <a href="http://www.intel.com/technology/virtualization/technology.htm">http://www.intel.com/technology/virtualization/technology.htm</a> |
|----------------------------------|---|

### 1.13.1.3 Intel® Virtualization Technology for Directed I/O

Intel® Virtualization Technology for Directed I/O (Intel® VT-d) allows addresses in incoming I/O device memory transactions to be remapped to different host addresses. This provides Virtual Machine Monitor (VMM) software with:

- Improved reliability and security through device isolation using hardware assisted remapping.
- Improved I/O performance and availability by direct assignment of devices.

| For information about | Refer to |
|-----------------------|----------|
|-----------------------|----------|

|   |  |
|---|--|
| Intel® Virtualization Technology for Directed I/O | <a href="https://software.intel.com/en-us/node/139035?wapkw=vt+directed+io">https://software.intel.com/en-<br/>us/node/139035?wapkw=vt+directed+io</a> |
|---|--|

#### 1.13.1.4 Intel® Trusted Execution Technology

Intel® Trusted Execution Technology (Intel® TXT) is a hardware security solution that protects systems against software-based attacks by validating the behavior of key components at startup against a known good source. It requires that Intel VT be enabled and the presence of a TPM.

| For information about               | Refer to  |
|-------------------------------------|---|
| Intel® Trusted Execution Technology | <a href="http://www.intel.com/content/www/us/en/architecture-and-technology/trusted-execution-technology/malware-reduction-general-technology.html">http://www.intel.com/content/www/us/en/architecture-and-technology/trusted-execution-technology/malware-reduction-general-technology.html</a> |

#### 1.13.1.5 Intel® Identity Protection Technology

Intel® Identity Protection Technology (Intel® IPT) provides a simple way for websites and enterprises to validate that a user is logging in from a trusted computer. This is accomplished by using the Intel Manageability Engine embedded in the chipset to generate a six-digit number that, when coupled with a user name and password, will generate a One-Time Password (OTP) when visiting Intel IPT-enabled websites. Intel IPT eliminates the need for the additional token or key fob required previously for two-factor authentication.

| For information about                 | Refer to  |
|---------------------------------------|---|
| Intel® Identity Protection Technology | <a href="http://ipt.intel.com">http://ipt.intel.com</a> |

#### 1.13.1.6 Intel® Software Guard Extensions

Intel® Software Guard Extensions (Intel® SGX) is for application developers who are seeking to protect select code and data from disclosure or modification. Intel SGX makes such protections possible through the use of enclaves, which are protected areas of execution in memory. Application code can be put into an enclave by special instructions and software made available to developers via the Intel SGX Software Development Kit (SDK).

| For information about            | Refer to  |
|----------------------------------|---|
| Intel® Software Guard Extensions | <a href="https://software.intel.com/en-us/sgx">https://software.intel.com/en-us/sgx</a> |

#### 1.13.1.7 Intel® Transparent Supply Chain (TSC)

Intel® Transparent Supply Chain is being able to prove that all components used for Intel products were sourced from approved manufacturers and purchased from authorized suppliers or distributors. The components will be traceable to each finished goods serial number. TSC data aids in the detection of counterfeit, gray market, and/or components that do not conform to spec.

| For information about           | Refer to  |
|---------------------------------|---|
| Intel® Transparent Supply Chain | <a href="https://tsc.intel.com">https://tsc.intel.com</a> |

### 1.13.1.8 Trusted Platform Module (TPM)

The TPM version 2.0 component is specifically designed to enhance platform security above-and-beyond the capabilities of today's software by providing a protected space for key operations and other security critical tasks. Using both hardware and software, the TPM protects encryption and signature keys at their most vulnerable stages—operations when the keys are being used unencrypted in plain-text form. The TPM shields unencrypted keys and platform authentication information from software-based attacks.



#### NOTE

*Support for TPM v2.0 requires a UEFI-enabled operating system, such as Microsoft Windows 10.*

| <b>For information about</b>            | <b>Refer to</b>  |
|---|--|
| Infineon SLB9665VQ2.0 TPM v2.0          | <a href="http://www.infineon.com/cms/en/product/channel.html?channel=db3a30433efacd9a013f10d3ded64daf">www.infineon.com/cms/en/product/channel.html?channel=db3a30433efacd9a013f10d3ded64daf</a> |
| NationZ Z32H320TC TPM v2.0 (China only) | <a href="http://www.nationz.com.cn/upfile/2016/20160408085201_906.pdf">http://www.nationz.com.cn/upfile/2016/20160408085201_906.pdf</a>  |

## 2 Technical Reference

---

### 2.1 Memory Resources

#### 2.1.1 Addressable Memory

The system has been validated with up to 32 GB of addressable system memory. Typically the address space that is allocated for PCI Express configuration space, BIOS (SPI Flash device), and chipset overhead resides above the top of DRAM (total system memory). On a system that has 16 GB of system memory installed, it is not possible to use all of the installed memory due to system address space being allocated for other system critical functions. These functions include the following:

- BIOS/SPI Flash device (16 MB)
- Local APIC (19 MB)
- Direct Media Interface (40 MB)
- PCI Express configuration space (256 MB)
- PCH base address registers PCI Express ports (up to 256 MB)
- Memory-mapped I/O that is dynamically allocated for M.2 add-in cards (256 MB)
- Integrated graphics shared memory (up to 1.5 GB; 64 MB by default)

### 2.2 Connectors and Headers



#### CAUTION

*Only the following connectors and headers have overcurrent protection: back panel USB, front panel USB, and internal USB headers.*

*All other connectors and headers are not overcurrent protected and should connect only to devices inside the computer's chassis, such as fans and internal peripherals. Do not use these connectors or headers to power devices external to the computer's chassis. A fault in the load presented by the external devices could cause damage to the computer, the power cable, and the external devices themselves.*

*Furthermore, improper connection of USB header single wire connectors may eventually overload the overcurrent protection and cause damage to the board.*

This section describes the board's connectors and headers. The connectors and headers can be divided into these groups:

- Front panel I/O connectors
- Back panel I/O connectors
- On-board I/O connectors and headers (see page 41 and 42)

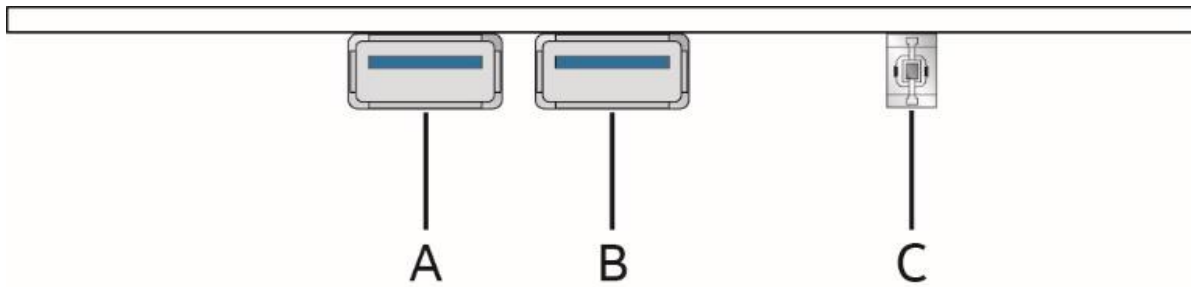


#### NOTE

*Unless otherwise noted, all 2.0 mm headers are dual-row, straight, surface mount with each two-pin section measuring 2.0 mm x 4.0 mm, with a pin height of 4.0 mm.*

## 2.2.1 Front Panel Connectors

Figure 9 shows the location of the front panel connectors for the board.



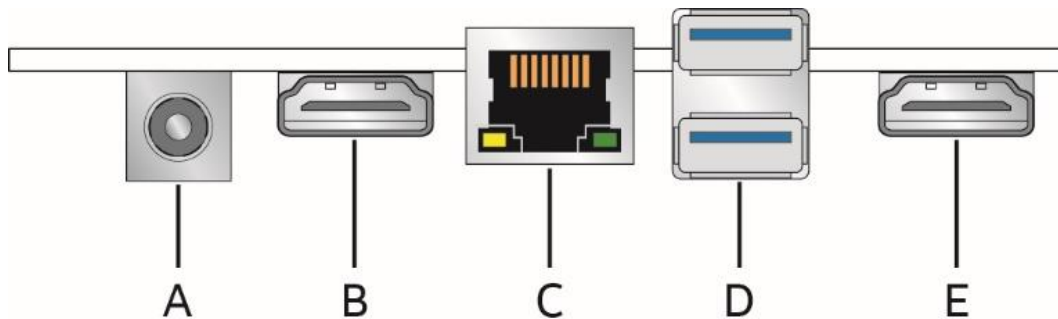
24319

| Item | Description              |
|------|--------------------------|
| A    | Front Panel Power Button |
| B    | USB 3.0 Port (blue)      |
| C    | USB 3.0 Port (blue)      |

Figure 9. Front Panel Connectors

## 2.2.2 Back Panel Connectors

Figure 10 shows the location of the back panel connectors for the board.



24320

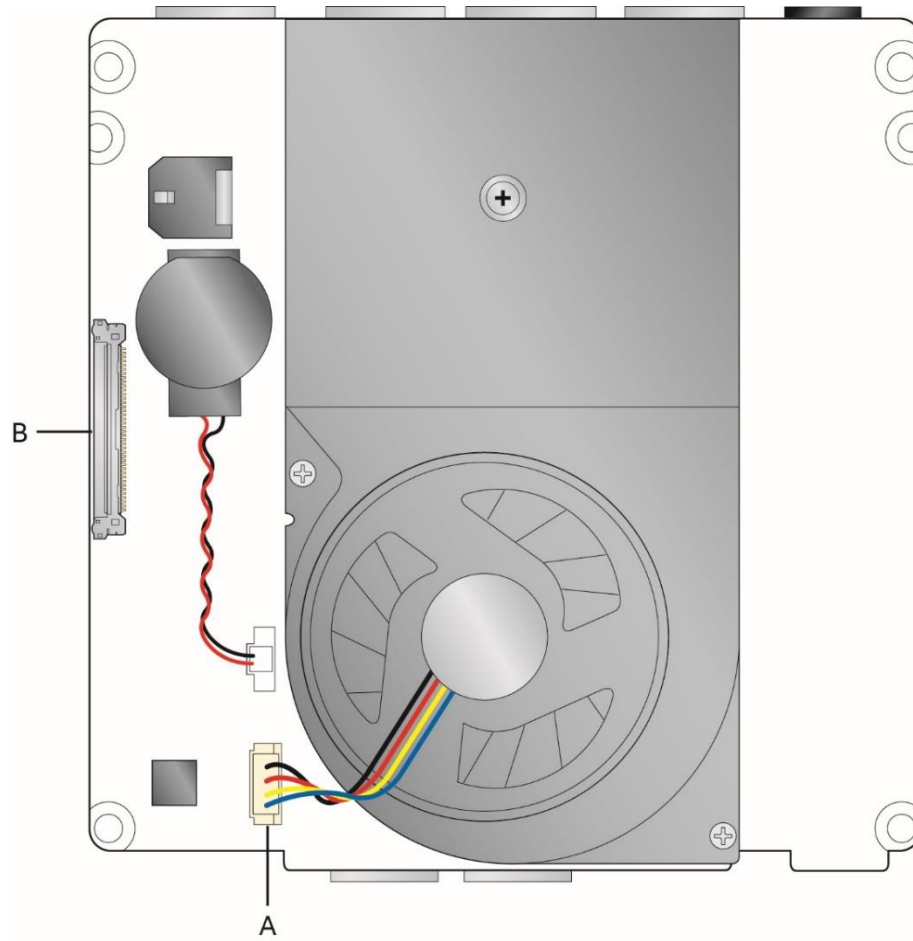
| Item | Description           |
|------|-----------------------|
| A    | 12-24 V DC Input Jack |
| B    | HDMI Port 1           |
| C    | LAN Connector         |
| D    | USB 3.0 Ports (blue)  |
| E    | HDMI Port 2           |

Figure 10. Back Panel Connectors



### 2.2.3 Connectors and Headers (Top)

Figure 11 shows the location of the connectors and headers on the top-side of the board.



24323

Figure 11. Connectors and Headers (Top)

Table 9. Connectors and Headers Shown in Figure 11

| Item from Figure 11 | Description          |
|---------------------|----------------------|
| A                   | Processor Fan Header |
| B                   | eDP Connector        |

## 2.2.4 Connectors and Headers (Bottom)

Figure 12 shows the locations of the connectors and headers on the bottom-side of the board.

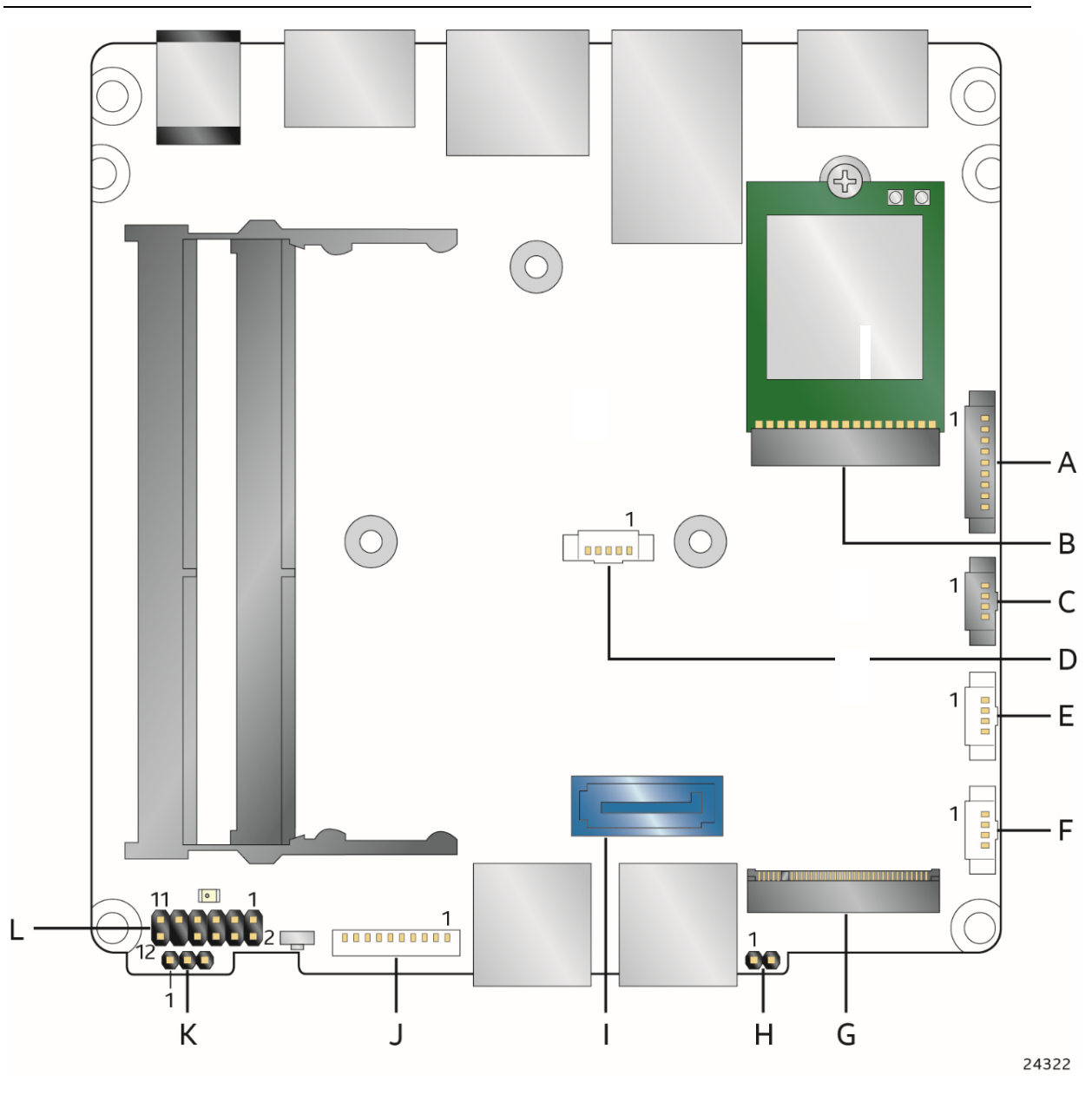


Figure 12. Connectors and Headers (Bottom)

Table 10 lists the connectors and headers identified in Figure 12.

**Table 10. Connectors and Headers Shown in Figure 12**

| Item from Figure 12 | Description  |
|---------------------|--|
| A                   | Serial Port Header   |
| B                   | M.2 2230 Module Connector (Key Type E) (Wireless card on Kit only) |
| C                   | HDMI CEC   |
| D                   | SATA Power Header  |
| E                   | USB 2.0 Header   |
| F                   | USB 2.0 Header   |
| G                   | M.2 2280 Module Connector (Key Type M)                             |
| H                   | Intel® Management Engine BIOS Extension (Intel® MEBX) Reset Header |
| I                   | SATA 6.0 Gb/s Connector  |
| J                   | USB 3.0 Header   |
| K                   | BIOS Security Header   |
| L                   | Front Panel Header   |

## Signal Tables for the Connectors and Headers

**Table 11. SATA Power Header (1.25 mm pitch)**

| Pin | Signal Name                    |
|-----|--------------------------------|
| 1   | 5 V (1.5A total for pins 1, 2) |
| 2   | 5 V (1.5A total for pins 1, 2) |
| 3   | 3.3 V                          |
| 4   | GND                            |
| 5   | GND                            |

Connector is Molex part number 53398-0571, 1.25mm Pitch PicoBlade\* Header, Surface Mount, Vertical, Lead-Free, 5 Circuits.

**Table 12. Internal USB 2.0 Header (1.25 mm pitch)**

| Pin | Signal Name      |
|-----|------------------|
| 1   | GND              |
| 2   | D +              |
| 3   | D -              |
| 4   | 5 V <sup>1</sup> |

<sup>1</sup> The two USB 2.0 headers on the board can deliver a combined power rating of 1.5 A, with any one of the headers supplying 1 A and the other supplying 500 mA.

Connector is Molex part number 53398-0471, 1.25mm Pitch PicoBlade\* Header, Surface Mount, Vertical, Lead-Free, 4 Circuits.

**Table 13. Internal USB 3.0 Header (1.25 mm pitch)**

| Pin | Signal Name                        |
|-----|------------------------------------|
| 1   | USB_VBUS                           |
| 2   | USB1_N                             |
| 3   | USB1_P                             |
| 4   | GND                                |
| 5   | USBSS1_TX_N                        |
| 6   | USBSS1_TX_P                        |
| 7   | GND                                |
| 8   | USBSS1_RX_N                        |
| 9   | USBSS1_RX_P                        |
| 10  | Host/Device ID Switch <sup>1</sup> |

<sup>1</sup>Wiring requirement for pin 10 ("Host/Device ID Switch") is as follows:

| Port Type                         | Pin 10 wired to...      | Port automatically configured as...   |
|-----------------------------------|-------------------------|---|
| Type A or internal USB peripheral | Ground                  | Host port   |
| Type B                            | Not connected           | Device port   |
| Micro B or Micro AB               | ID pin on attached port | Dynamic configuration as host or device port (depending on attached peripheral) |

Connector is 1x10 1.25mm Pitch PicoBlade\* Header, Surface Mount, Vertical, Lead-Free, 10 Circuits.

**Table 14. Serial Port Header (1.25 mm pitch)**

| Pin | Signal Name | Description         | IO Type |
|-----|-------------|---------------------|---------|
| 1   | DCD         | Data Carrier Detect | RS-232  |
| 2   | RXD#        | Receive Data        | RS-232  |
| 3   | TXD#        | Transmit Data       | 5V TTL  |
| 4   | DTR         | Data Terminal Ready | 5V TTL  |
| 5   | GND         | Ground              | Ground  |
| 6   | DSR         | Data Set Ready      | RS-232  |
| 7   | RTS         | Request to Send     | 5V TTL  |
| 8   | CTS         | Clear to Send       | RS-232  |
| 9   | RI          | Ring Indicator      | RS-232  |

Connector is 1x9 1.25mm Pitch PicoBlade\* Header, Surface Mount, Vertical, Lead-Free, 9 Circuits.

**Table 15. HDMI CEC Header (1.25 mm pitch)**

| Pin | Signal Name       |
|-----|-------------------|
| 1   | 5VSTBY            |
| 2   | GND               |
| 3   | POWER_SWITCH#     |
| 4   | HDMI_CEC (Port 1) |

Connector is 1x4 1.25mm Pitch PicoBlade\* Header, Surface Mount, Vertical, Lead-Free, 4 Circuits.

**Table 16. M.2 2280 Module (Mechanical Key M) Connector**

| Pin | Signal Name                                  | Pin | Signal Name              |
|-----|--|-----|--------------------------|
| 74  | 3.3V (2.75A total for pins 74, 72, 70, 4, 2) | 75  | GND                      |
| 72  | 3.3V (2.75A total for pins 74, 72, 70, 4, 2) | 73  | GND                      |
| 70  | 3.3V (2.75A total for pins 74, 72, 70, 4, 2) | 71  | GND                      |
| 68  | SUSCLK(32kHz) (O)(0/3.3V)                    | 69  | PEDET (NC-PCIe/GND-SATA) |
| 66  | Connector Key                                | 67  | N/C                      |
| 64  | Connector Key                                | 65  | Connector Key            |
| 62  | Connector Key                                | 63  | Connector Key            |
| 60  | Connector Key                                | 61  | Connector Key            |
| 58  | N/C  | 59  | Connector Key            |
| 56  | N/C  | 57  | GND                      |
| 54  | PEWAKE# (I/O)(0/3.3V) or N/C                 | 55  | REFCLKP                  |
| 52  | CLKREQ# (I/O)(0/3.3V) or N/C                 | 53  | REFCLKN                  |
| 50  | PERST# (O)(0/3.3V) or N/C                    | 51  | GND                      |
| 48  | N/C  | 49  | PETp0/SATA-A+            |
| 46  | N/C  | 47  | PETn0/SATA-A-            |
| 44  | N/C  | 45  | GND                      |
| 42  | N/C  | 43  | PERp0/SATA-B-            |
| 40  | N/C  | 41  | PERn0/SATA-B+            |
| 38  | DEVSLP (O)                                   | 39  | GND                      |
| 36  | N/C  | 37  | PETp1                    |
| 34  | N/C  | 35  | PETn1                    |
| 32  | N/C  | 33  | GND                      |
| 30  | N/C  | 31  | PERp1                    |
| 28  | N/C  | 29  | PERn1                    |
| 26  | N/C  | 27  | GND                      |
| 24  | N/C  | 25  | PETp2                    |
| 22  | N/C  | 23  | PETn2                    |
| 20  | N/C  | 21  | GND                      |
| 18  | 3.3V   | 19  | PERp2                    |
| 16  | 3.3V   | 17  | PERn2                    |

|    |  |    |       |
|----|--|----|-------|
| 14 | 3.3V   | 15 | GND   |
| 12 | 3.3V   | 13 | PETp3 |
| 10 | DAS/DSS# (I/O)/LED1# (I)(0/3.3V)             | 11 | PETn3 |
| 8  | N/C  | 9  | GND   |
| 6  | N/C  | 7  | PERp3 |
| 4  | 3.3V (2.75A total for pins 74, 72, 70, 4, 2) | 5  | PERn3 |
| 2  | 3.3V (2.75A total for pins 74, 72, 70, 4, 2) | 3  | GND   |
|    |  | 1  | GND   |

**Table 17. M.2 2230 Module (Mechanical Key E) Connector**

| Pin | Signal Name                              | Pin | Signal Name            |
|-----|--|-----|------------------------|
| 74  | 3.3V (2.75A total for pins 74, 72, 4, 2) | 75  | GND                    |
| 72  | 3.3V (2.75A total for pins 74, 72, 4, 2) | 73  | RESERVED/REFCLKN1      |
| 70  | UIM_POWER_SRC/GPIO1/PEWAKE1#             | 71  | RESERVED/REFCLKP1      |
| 68  | UIM_POWER_SNK/CLKREQ1#                   | 69  | GND                    |
| 66  | UIM_SWP/PERST1#                          | 67  | RESERVED/PERn1         |
| 64  | RESERVED                                 | 65  | RESERVED/PERp1         |
| 62  | ALERT# (I)(0/3.3)                        | 63  | GND                    |
| 60  | I2C CLK (O)(0/3.3)                       | 61  | RESERVED/PETn1         |
| 58  | I2C DATA (I/O)(0/3.3)                    | 59  | RESERVED/PETp1         |
| 56  | W_DISABLE1# (O)(0/3.3V)                  | 57  | GND                    |
| 54  | W_DISABLE2# (O)(0/3.3V)                  | 55  | PEWAKE0# (I/O)(0/3.3V) |
| 52  | PERST0# (O)(0/3.3V)                      | 53  | CLKREQ0# (I/O)(0/3.3V) |
| 50  | SUSCLK(32kHz) (O)(0/3.3V)                | 51  | GND                    |
| 48  | COEX1 (I/O)(0/1.8V)                      | 49  | REFCLKN0               |
| 46  | COEX2(I/O)(0/1.8V)                       | 47  | REFCLKP0               |
| 44  | COEX3(I/O)(0/1.8V)                       | 45  | GND                    |
| 42  | CLink_CLK (I/O)                          | 43  | PERn0                  |
| 40  | CLink_DATA (I/O)                         | 41  | PERp0                  |
| 38  | C-Link RESET* (I) (0/3.3V)               | 39  | GND                    |
| 36  | UART CTS (I) (0/1.8V)                    | 37  | PETn0                  |
| 34  | UART RTS (O) (0/1.8V)                    | 35  | PETp0                  |
| 32  | UART RXD (I) (0/1.8V)                    | 33  | GPIO_2 (I/O)(0/1.8V*)  |
| 30  | Connector Key                            | 31  | Connector Key          |
| 28  | Connector Key                            | 29  | Connector Key          |
| 26  | Connector Key                            | 27  | Connector Key          |
| 24  | Connector Key                            | 25  | Connector Key          |
| 22  | UART TXD (O) (0/1.8V)                    | 23  | RESERVED               |
| 20  | UART WAKE# (O) (0/3.3V)                  | 21  | RESERVED               |
| 18  | GND                                      | 19  | RESERVED               |
| 16  | ANTCTLO (I)(0/1.8V)                      | 17  | RESERVED               |

|    |  |    |          |
|----|--|----|----------|
| 14 | ANTCTL1 (I)(0/1.8V)                      | 15 | RESERVED |
| 12 | ANTCTL2 (I)(0/1.8V)                      | 13 | RESERVED |
| 10 | ANTCTL3 (I)(0/1.8V)                      | 11 | RESERVED |
| 8  | RESET# (O)(0/1.8V)                       | 9  | RESERVED |
| 6  | CONFIG_1                                 | 7  | GND      |
| 4  | 3.3V (2.75A total for pins 74, 72, 4, 2) | 5  | USB_D-   |
| 2  | 3.3V (2.75A total for pins 74, 72, 4, 2) | 3  | USB_D+   |
|    |  | 1  | GND      |



**Table 18. 40-Pin eDP Connector**

| Pin | Signal Name                                  | Pin | Signal Name                                  |
|-----|--|-----|--|
| 1   | NC – Reserved                                | 21  | LCD_VCC (2.0A total for pins 21, 20, 19, 18) |
| 2   | H_GND  | 22  | NC   |
| 3   | Lane3_N                                      | 23  | LCD_GND                                      |
| 4   | Lane3_P                                      | 24  | LCD_GND                                      |
| 5   | H_GND  | 25  | LCD_GND                                      |
| 6   | Lane2_N                                      | 26  | LCD_GND                                      |
| 7   | Lane2_P                                      | 27  | HPD  |
| 8   | H_GND  | 28  | BL_GND                                       |
| 9   | Lane1_N                                      | 29  | BL_GND                                       |
| 10  | Lane1_P                                      | 30  | BL_GND                                       |
| 11  | H_GND  | 31  | BL_GND                                       |
| 12  | Lane0_N                                      | 32  | BL_ENABLE                                    |
| 13  | Lane0_P                                      | 33  | BL_PWM_DIM                                   |
| 14  | H_GND  | 34  | NC - RESERVED                                |
| 15  | AUX_CH_P                                     | 35  | NC - RESERVED                                |
| 16  | AUX_CH_N                                     | 36  | BL_PWR (0.6A total for pins 39, 38, 37, 36)  |
| 17  | H_GND  | 37  | BL_PWR (0.6A total for pins 39, 38, 37, 36)  |
| 18  | LCD_VCC (2.0A total for pins 21, 20, 19, 18) | 38  | BL_PWR (0.6A total for pins 39, 38, 37, 36)  |
| 19  | LCD_VCC (2.0A total for pins 21, 20, 19, 18) | 39  | BL_PWR (0.6A total for pins 39, 38, 37, 36)  |
| 20  | LCD_VCC (2.0A total for pins 21, 20, 19, 18) | 40  | NC - RESERVED                                |

Connector used is right-angled I-PEX-20455-040E-12, 1x40 eDP connector.

### 2.2.4.1 Add-in Card Connectors

The board supports M.2 2230 (key type E) (WLAN) and 2280 (key type M) (SSD) Modules.

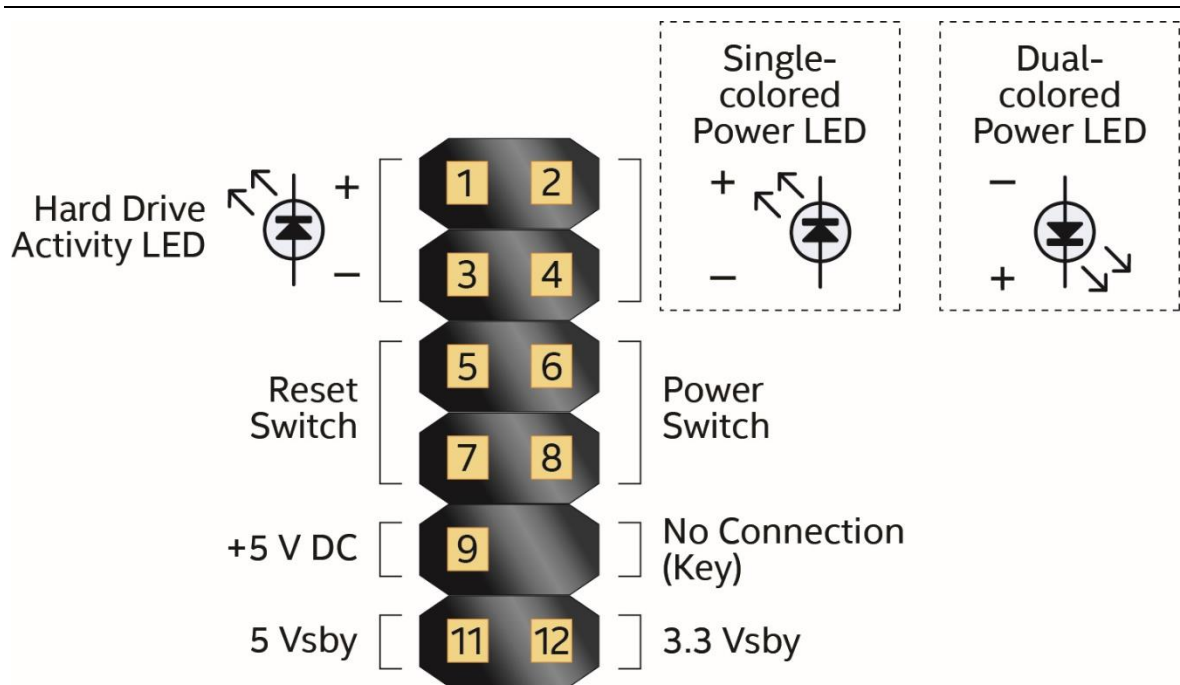
- M.2 2230 (key type E) (WLAN): Supports PCIe x1, USB 2.0
- M.2 2280 (key type M) (SSD): Supports PCIe x4 and SATA

### 2.2.4.2 Front Panel Header (2.0 mm Pitch)

This section describes the functions of the front panel header. Table 19 lists the signal names of the front panel header. Figure 9 is a connection diagram for the front panel header.

**Table 19. Front Panel Header (2.0 mm Pitch)**

| Pin | Signal Name       | Description                 | Pin | Signal Name    | Description                        |
|-----|-------------------|-----------------------------|-----|----------------|------------------------------------|
| 1   | HDD_POWER_LED     | Pull-up 750 $\Omega$ to +5V | 2   | POWER_LED_MAIN | [Out] Front panel LED (main color) |
| 3   | HDD_LED#          | [Out] HDD activity LED      | 4   | POWER_LED_ALT  | [Out] Front panel LED (alt color)  |
| 5   | GROUND            | Ground                      | 6   | POWER_SWITCH#  | [In] Power switch                  |
| 7   | RESET_SWITCH#     | [In] Reset switch           | 8   | GROUND         | Ground                             |
| 9   | +5V_DC (1A) (Vcc) | VCC5 (1A current rating)    | 10  | Key            | No pin                             |
| 11  | 5Vsby (2A)        | 5VSB (2A current rating)    | 12  | 3.3Vsby (1A)   | 3VSB (1A current rating)           |



24329

**Figure 13. Connection Diagram for Front Panel Header (2.0 mm Pitch)**

#### 2.2.4.2.1 Hard Drive Activity LED Header

Pins 1 and 3 can be connected to an LED to provide a visual indicator that data is being read from or written to a hard drive. Proper LED function requires a SATA hard drive or optical drive connected to an onboard SATA connector.

### 2.2.4.2.2 Reset Switch Header

Pins 5 and 7 can be connected to a momentary single pole, single throw (SPST) type switch that is normally open. When the switch is closed, the board resets and runs the POST.

### 2.2.4.2.3 Power/Sleep LED Header

Pins 2 and 4 can be connected to a one- or two-color LED. Table 20 and Table 21 show the possible LED states.

**Table 20. States for a One-Color Power LED**

| LED State | Description      |
|-----------|------------------|
| Off       | Power off        |
| Blinking  | Standby          |
| Steady    | Normal operation |

**Table 21. States for a Dual-Color Power LED**

| LED State        | Description      |
|------------------|------------------|
| Off              | Power off        |
| Blinking (white) | Standby          |
| Steady (white)   | Normal operation |



#### NOTE

*The LED behavior shown in Table 20 is default – other patterns may be set via BIOS setup.*

### 2.2.4.2.4 Power Switch Header

Pins 6 and 8 can be connected to a front panel momentary-contact power switch. The switch must pull the SW\_ON# pin to ground for at least 50 ms to signal the power supply to switch on or off (the time requirement is due to internal debounce circuitry on the board). At least two seconds must pass before the power supply will recognize another on/off signal.



#### NOTE

*Pin 6 is designed for momentary contact switches only. It is not recommended to permanently hardwire the signal high or low because it can damage the board.*

## 2.2.4.3 Power Supply Connectors

The board has the following power supply connectors:

- **External Power Supply** – the board can be powered through a 12-24 V DC connector on the back panel. The back panel DC connector is compatible with a 5.5 mm/OD (outer diameter) and 2.5 mm/ID (inner diameter) plug, where the inner contact is +12-24 (±10%) V DC and the shell is GND. The maximum current rating is 10 A.



#### NOTE

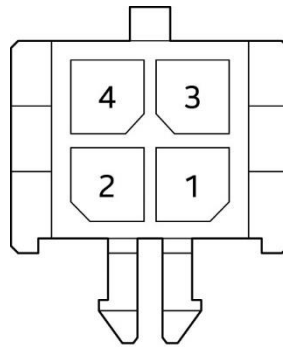
*External power voltage, 12-24 V DC, is dependent on the type of power brick used.*

- **Internal Power Supply** – the board can alternatively be powered via the internal 12-24 V DC 2 x 2 power connector, where pins 1 and 2 are +12-24 ( $\pm 10\%$ ) V DC and pins 3 and 4 are GND. The maximum current rating is 10 A.

The connector used is Molex Micro-Fit (3mm pitch), right-angled, 4-pos/dual row (2x2).

**Table 22. 12-24 V Internal Power Supply Connector**

| Pins | Signal Name             |
|------|-------------------------|
| 1, 2 | +12-24 V ( $\pm 10\%$ ) |
| 3, 4 | Ground                  |



OM24146

**Figure 14. Connection Diagram for the Internal Power Supply Connector**

#### 2.2.4.3.1 Power Sensing Circuit

The board has a power sensing circuit that:

- manages CPU power usage to maintain system power consumption below 65 W
- is designed and tested for use with the provided 65 W AC-DC adapters



#### **NOTE**

*It is recommended that you disable this feature (via BIOS option) when using an AC-DC adapter greater than 65 W.*

#### **For information about**

Power supply considerations

#### **Refer to**

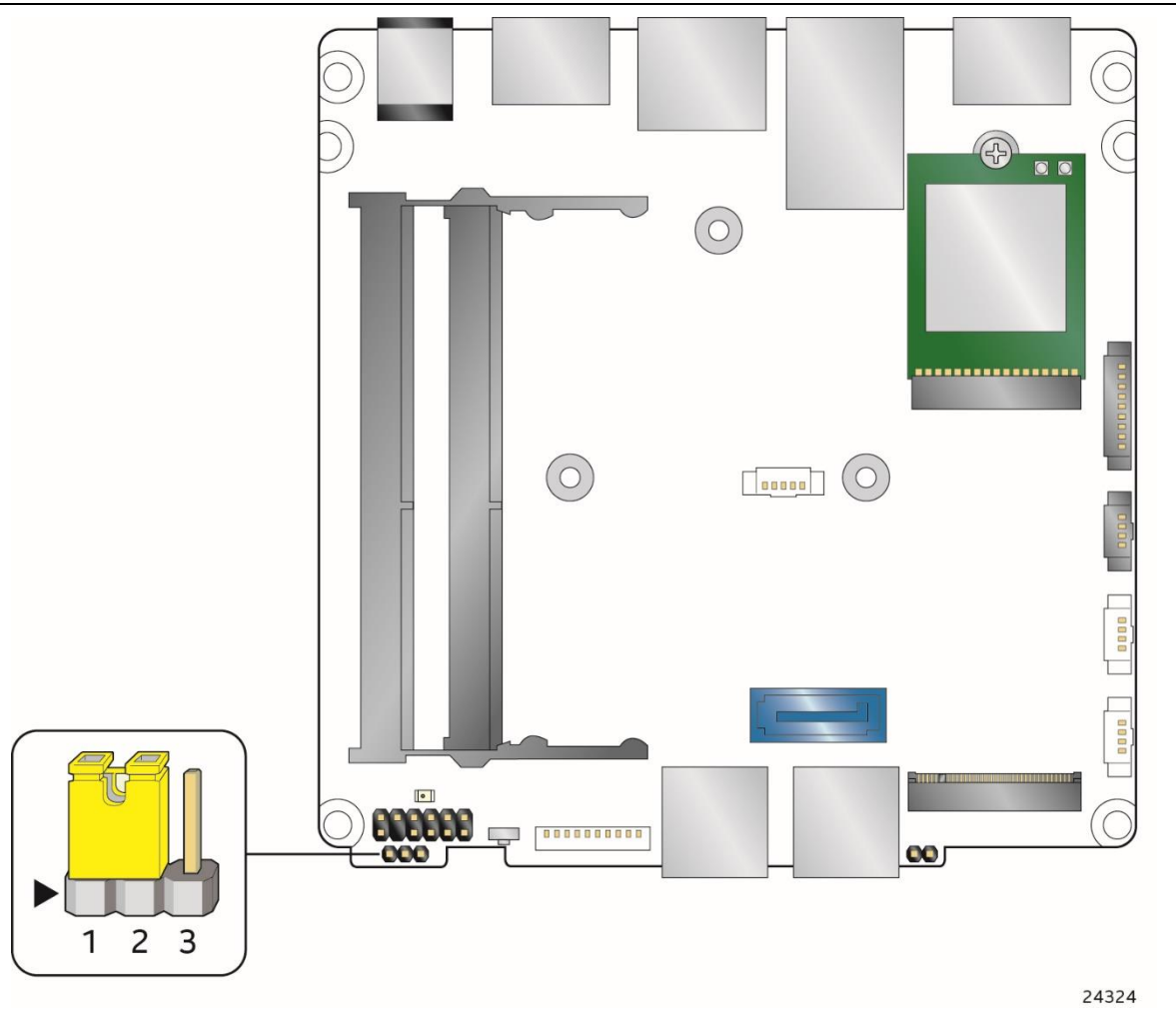
Section 2.6.1, page 59

## 2.3 BIOS Security Jumper

**⚠ CAUTION**

*Do not move a jumper with the power on. Always turn off the power and unplug the power cord from the computer before changing a jumper setting. Otherwise, the board could be damaged.*

Figure 15 shows the location of the BIOS Security Jumper. The 3-pin jumper determines the BIOS Security program's mode.



24324

**Figure 15. Location of the BIOS Security Jumper**

Table 23 describes the jumper settings for the three modes: normal, lockdown, and configuration.

**Table 23. BIOS Security Jumper Settings**

| Function/Mode | Jumper Setting | Configuration   |
|---------------|----------------|---|
| Normal        | 1-2            | The BIOS uses current configuration information and passwords for booting.  |
| Lockdown      | 2-3            | <p>The BIOS uses current configuration information and passwords for booting, except:</p> <ul style="list-style-type: none"> <li>• All POST Hotkeys are suppressed (prompts are not displayed and keys are not accepted. For example, F2 for Setup, F10 for the Boot Menu).</li> <li>• Power Button Menu is not available (see Section 3.6.5 Power Button Menu).</li> </ul> <p>BIOS updates are not available except for automatic Recovery due to flash corruption.</p>  |
| Configuration | None           | <p>BIOS Recovery Update process if a matching *.bio file is found. Recovery Update can be cancelled by pressing the Esc key.</p> <p>If the Recovery Update was cancelled or a matching *.bio file was not found, a Config Menu will be displayed. The Config Menu consists of the following (followed by the Power Button Menu selections):</p> <p>[1] Suppress this menu until the BIOS Security Jumper is replaced.</p> <p>[2] Clear BIOS User and Supervisor Passwords.</p> <p>[3] Reset Intel® AMT to default factory settings.</p> <p>[4] Clear Trusted Platform Module.<br/>Warning: Data encrypted with the TPM will no longer be accessible if the TPM is cleared.</p> <p>[F2] Intel® Visual BIOS.</p> <p>[F4] BIOS Recovery.</p> <p>See Section 3.6.5 Power Button Menu.</p> |

## 2.4 Intel® Management Engine BIOS Extension (Intel® MEBX) Reset Header

The Intel® MEBX reset header (see Figure 16) allows you to reset the Intel ME configuration to the factory defaults. Momentarily shorting pins 1 and 2 with a jumper (not supplied) will accomplish the following:

- Return all Intel ME parameters to their default values.
- Reset the Intel MEBX password to the default value (admin).
- Unconfigure Intel AMT.



### CAUTION

*Always turn off the power and unplug the power cord from the computer before installing an MEBX reset jumper. The jumper must be removed before reapplying power. The system must be allowed to reach end of POST before reset is complete. Otherwise, the board could be damaged.*



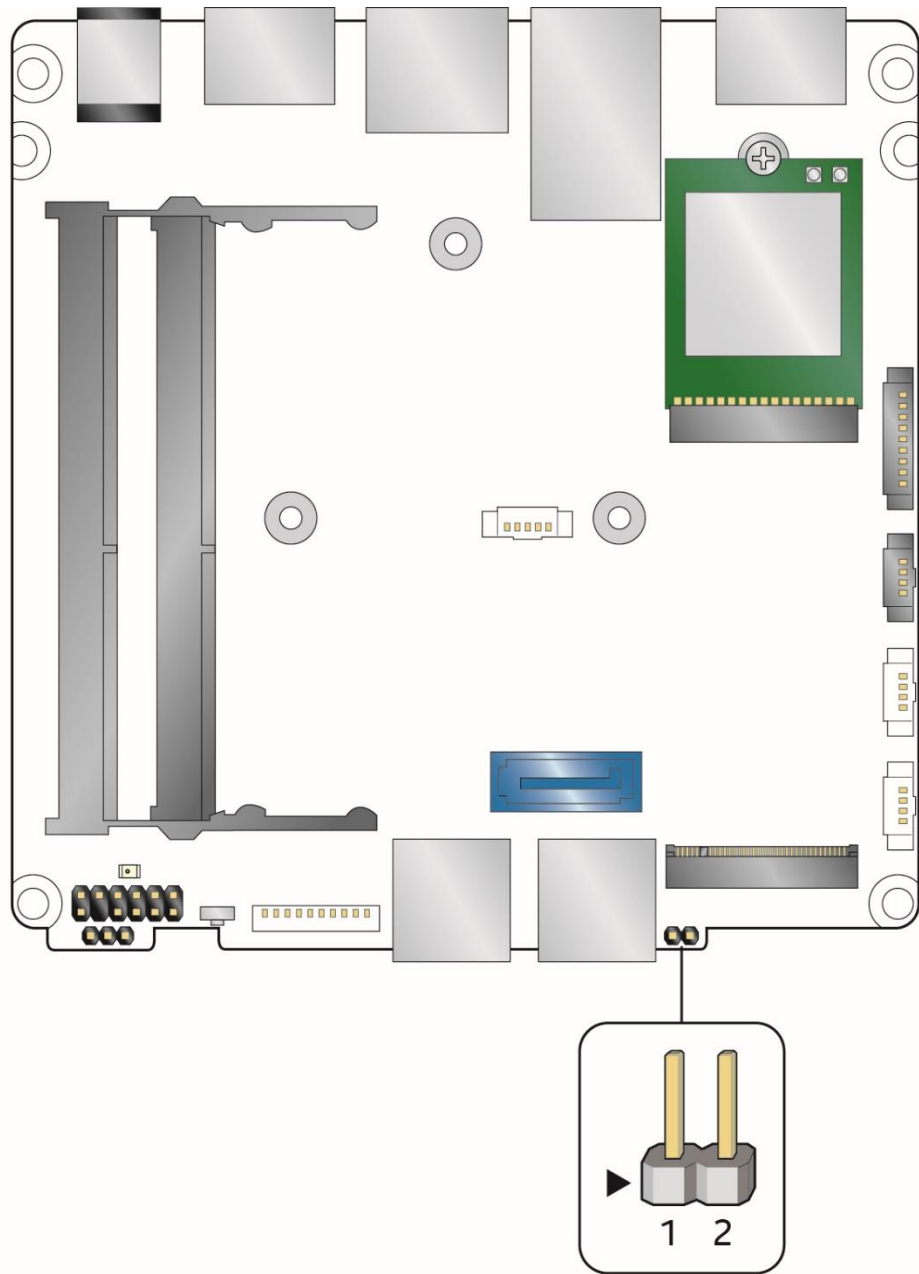
### NOTE

*After using the MEBX Reset, a “CMOS battery failure” warning will occur during the next POST. This is expected and does not indicate a component failure.*



### NOTE

*The MEBX\_RESET header has a non-conductive protective cap installed. This must be removed before installing the MEBX\_RESET jumper, and reinstalled before reassembling the system. Failure to do so may result in inadvertent shorting of the bottom cover screw to the header during bottom cover reassembly (see Figure 16).*



24325

**Figure 16. Intel MEBX Reset Header**

**Table 24. Intel MEBX Reset Header Signals**

| Pin | Function |
|-----|----------|
| 1   | RTCRST   |
| 2   | Ground   |



## 2.5 Mechanical Considerations

### 2.5.1 Form Factor

The board is designed to fit into a custom chassis. Figure 17 illustrates the mechanical form factor for the board. Dimensions are given in inches [millimeters]. The outer dimensions are 4.0 inches by 4.0 inches [101.60 millimeters by 101.60 millimeters].

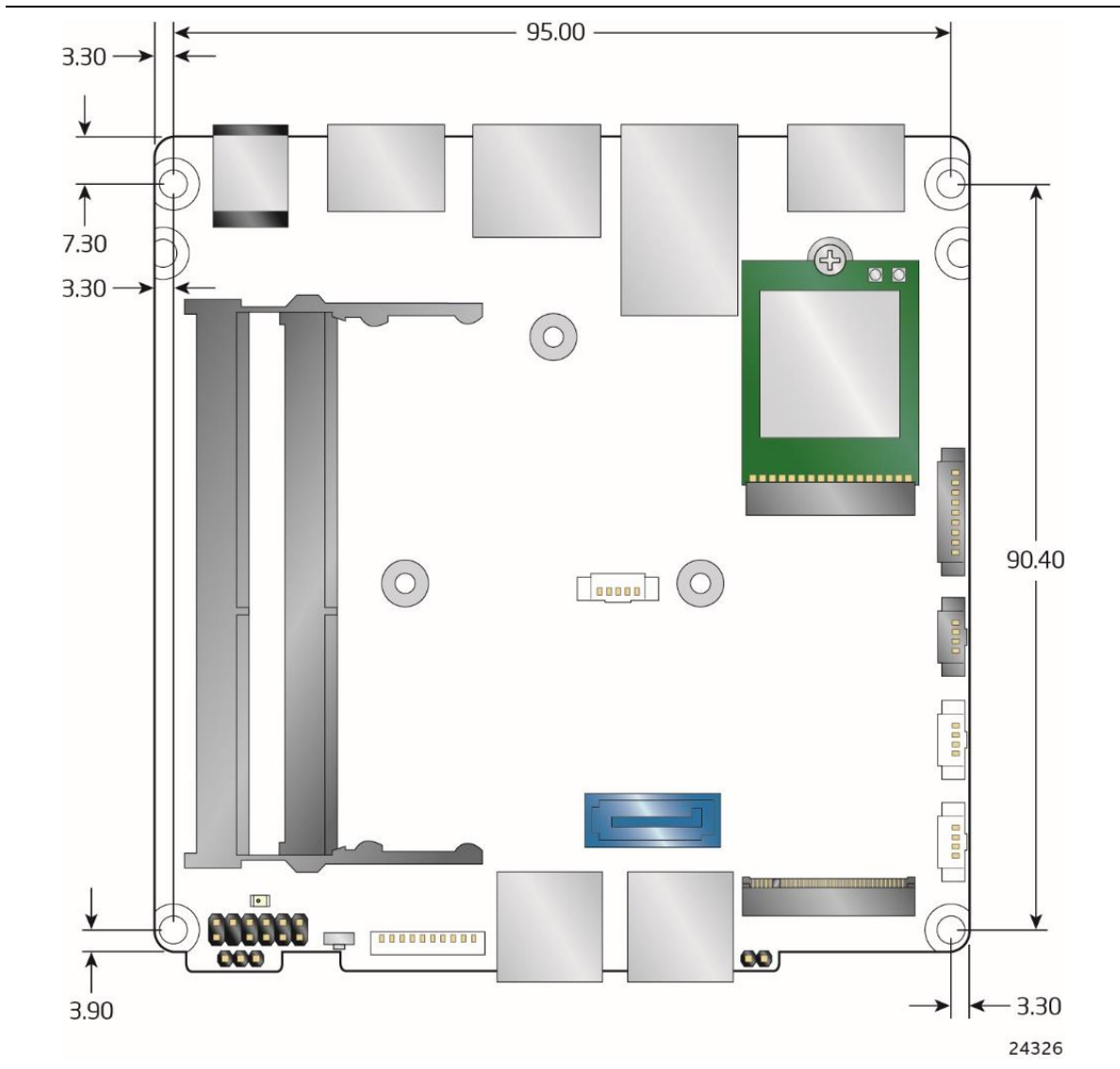
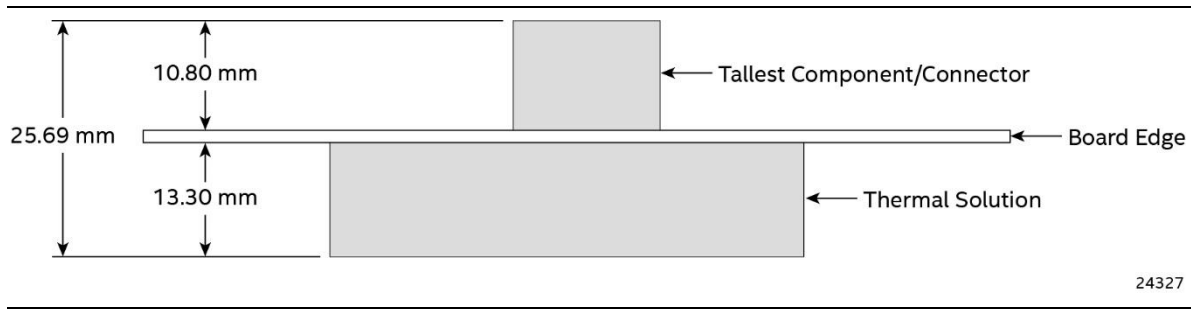


Figure 17. Board Dimensions

Figure 18 shows the height dimensions of the board. Dimensions are in mm.



**Figure 18. Board Height Dimensions**

## 2.5.2 Weights

Table 25 lists select weights of boards and kits.

**Table 25. Select Weights**

| Item   | Weight (in kg) |
|--|----------------|
| Board with Thermal Solution                          | 0.2            |
| Short Kit (includes Board Assembly)                  | 0.47           |
| Tall Kit (includes Board Assembly)                   | 0.61           |
| Mini PC (includes Board Assembly, memory, and drive) | 0.59           |

## 2.6 Electrical Considerations

### 2.6.1 Power Supply Considerations

System power requirements will depend on actual system configurations chosen by the integrator, as well as end user expansion preferences. It is the system integrator's responsibility to ensure an appropriate power budget for the system configuration is properly assessed based on the system-level components chosen. See Section 2.2.4.3 Power Supply Connector for more information.

- The back panel input range is 12-24 V DC
- The internal power connector input range is 12-24 V DC



#### CAUTION

*The external DC jack is the primary power input connector of Intel NUC Board NUC7i5DNBE. However, the board also provides an internal 2 x 2 power connector that can be used in custom-developed systems that have an internal power supply. The internal 2 x 2 power connector is a Molex Micro-Fit (3mm pitch), right-angled, 4-pos/dual row connector.*

*There is no isolation circuitry between the external DC jack and the internal 2 x 2 power connector. It is the system integrator's responsibility to ensure no more than one power supply unit is or can be attached to the board at any time and to ensure the external DC jack is covered if the internal 2 x 2 power connector is to be used. Simultaneous connection of both external and internal power supply units could result in potential damage to the board, power supplies, or other hardware.*

**Table 26. Power Budget for Assessing the DC-to-DC Circuit's Power Rating (worst case: Embedded board in 3rd party chassis)**

| <b>NUC7i5DNBE (3<sup>rd</sup> party chassis)</b> | <b>Estimated Adapter Power Consumption (W)</b> |
|--|--|
| CPU KBL-U 15 W SoC                               | 15   |
| Chipset  | 2.38   |
| 2 x DDR4 SODIMM                                  | 7.99   |
| WLAN   | 0.40   |
| 2 x USB 2.0 (Internal)                           | 2.78   |
| USB 3.0 (Internal)                               | 2.50   |
| 4 x USB 3.0                                      | 20   |
| 2 x HDMI 2.0                                     | 0.06   |
| M.2 2280 Module                                  | 3.03   |
| SATA HDD 2.5"                                    | 4.43   |
| LAN  | 0.07   |
| Front Panel                                      | 0.56   |
| HDMI CEC   | 0.11   |

## 2.6.2 Fan Header Current Capability

Table 27 lists the current capability of the fan headers.

**Table 27. Fan Header Current Capability**

| Fan Header    | Maximum Available Current |
|---------------|---------------------------|
| Processor fan | .6 A                      |

## 2.7 Thermal Considerations



### CAUTION

*Failure to ensure appropriate airflow may result in reduced performance of both the processor and/or voltage regulator or, in some instances, damage to the board.*

*All responsibility for determining the adequacy of any thermal or system design remains solely with the system integrator. Intel makes no warranties or representations that merely following the instructions presented in this document will result in a system with adequate thermal performance.*



### CAUTION

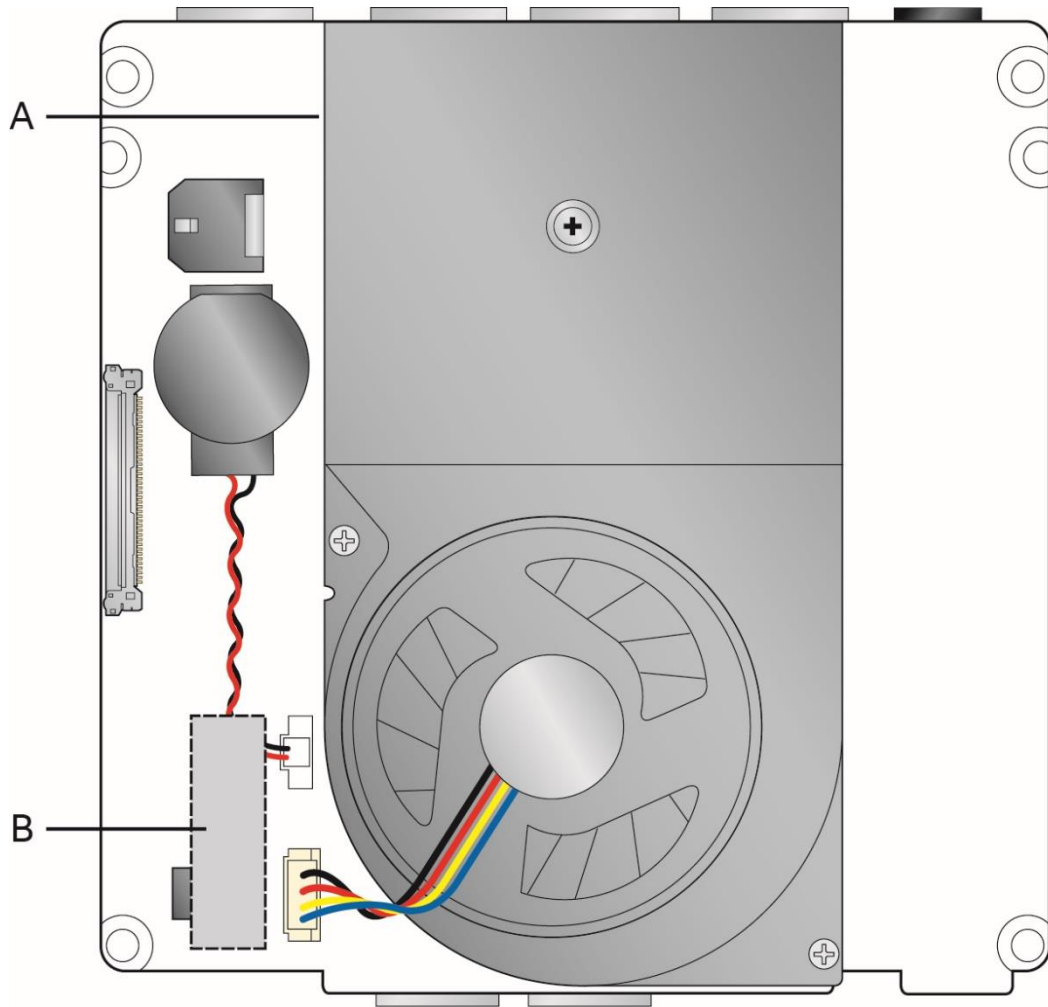
*Ensure that the ambient temperature does not exceed the board's maximum operating temperature. Failure to do so could cause components to exceed their maximum case temperature and malfunction. For information about the maximum operating temperature, see the environmental specifications in Section 0.*



### CAUTION

*Ensure that proper airflow is maintained in the processor voltage regulator circuit. Failure to do so may result in shorter than expected product lifetime.*

Figure 19 shows the locations of the localized high temperature zones.

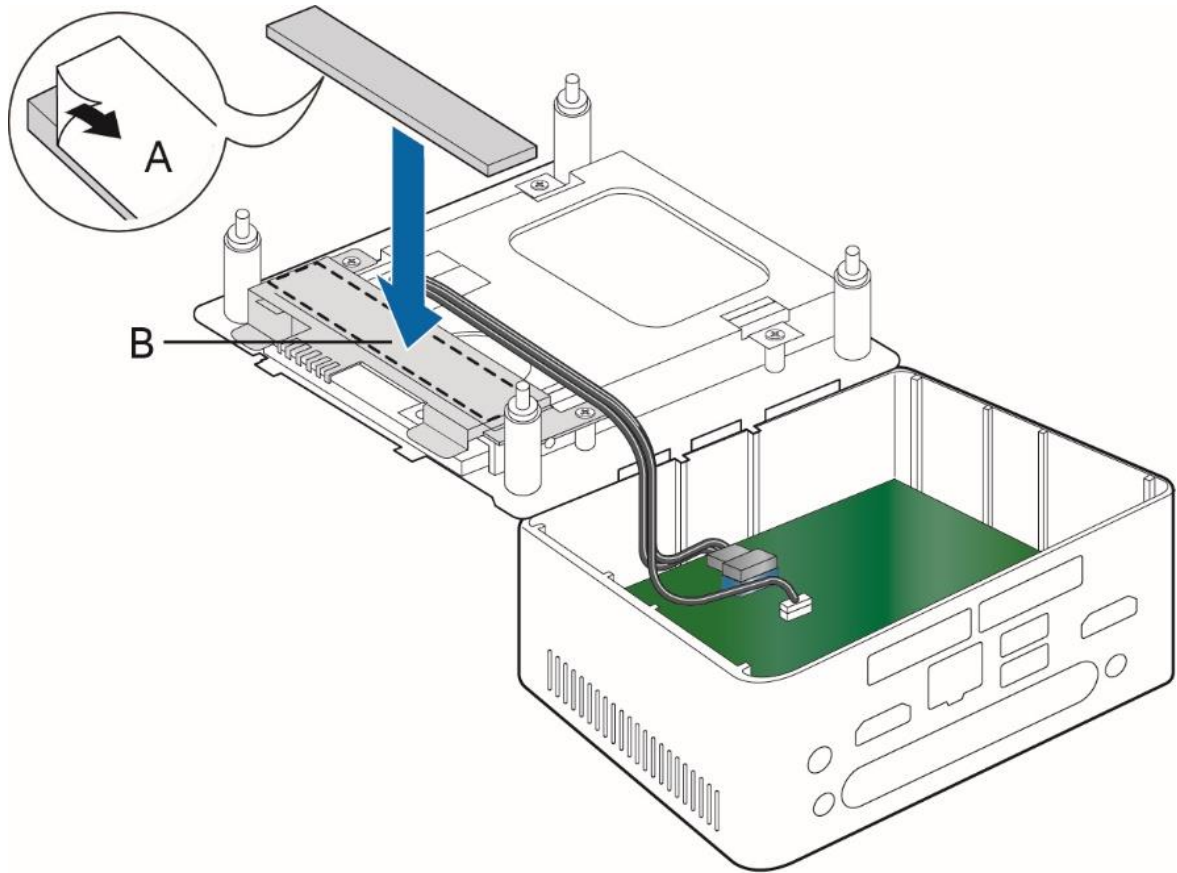


24328

| Item | Description                      |
|------|----------------------------------|
| A    | Thermal Solution                 |
| B    | Processor Voltage Regulator Area |

**Figure 19. Localized High Temperature Zones**

A thermal pad has been installed for the bottom of the chassis to improve the thermal performance when using M.2 devices that operate at higher temperatures. If the thermal pad ever needs to be replaced, Figure 24 shows the installation area of the thermal pad.



24331

| Item | Description                   |
|------|-------------------------------|
| A    | Thermal Pad                   |
| B    | Thermal Pad Installation Area |

Figure 20. Installation Area of the Thermal Pad

Table 28 provides maximum case temperatures for the components that are sensitive to thermal changes. The operating temperature, current load, or operating frequency could affect case temperatures. Maximum case temperatures are important when considering proper airflow to cool the board.

**Table 28. Thermal Considerations for Components**

| Component | Maximum Case Temperature   |
|-----------|--|
| Processor | For processor case temperature, see processor datasheets and processor specification updates |

To ensure functionality and reliability, the component is specified for proper operation when Case Temperature is maintained at or below the maximum temperature listed in Table 29. This is a requirement for sustained power dissipation equal to Thermal Design Power (TDP is specified as the maximum sustainable power to be dissipated by the components). When the component is dissipating less than TDP, the case temperature should be below the Maximum Case Temperature. The surface temperature at the geometric center of the component corresponds to Case Temperature.

It is important to note that the temperature measurement in the system BIOS is a value reported by embedded thermal sensors in the components and does not directly correspond to the Maximum Case Temperature. The upper operating limit when monitoring this thermal sensor is Tcontrol.

**Table 29. Tcontrol Values for Components**

| Component | Tcontrol   |
|-----------|--|
| Processor | For processor case temperature, see processor datasheets and processor specification updates |

| For information about                          | Refer to             |
|--|----------------------|
| Processor datasheets and specification updates | Section 1.3, page 17 |



## 2.8 Reliability

The demonstrated Mean Time Between Failures (MTBF) is done through 24/7 testing. Full Intel® NUC systems in chassis with memory, SSD or HDD, and a fan are ran at 100% on time for 90 days continuously while running system wide stress inducing software in a 40 °C ambient air temperature chamber. The demonstrated MTBF for Intel NUC Board NUC7i7DNBE is 50,000 hours.

## 2.9 Environmental

Table 30 lists the environmental specifications.

**Table 30. Environmental Specifications**

| Parameter  | Specification  |   |   |
|--|--|---|---|
| <b>Temperature</b>   |  |   |   |
| Sustained Storage Limits (i.e. warehouse)  | -20 °C to +40 °C   |   |   |
| Short Duration Limits (i.e. shipping)  | -40 °C to +60 °C   |   |   |
| Ambient Operating – NUC Kit*   | 0 °C to +40 °C   |   |   |
| Ambient Operating – NUC Board*   | 0 °C to +50 °C   |   |   |
| * Processor performance may automatically decrease when the system operates in the top 5 °C of the ambient operating temperature ranges above. |  |   |   |
| <b>Shock</b>   |  |   |   |
| Unpackaged   | 50 g trapezoidal waveform  |   |   |
|  | Velocity change of 170 inches/s <sup>2</sup>   |   |   |
| Packaged   | Product Weight (pounds)  | Non-palletized Product drop height (inches) | Palletized drop heights (single product) (inches) |
|  | <20  | 36  | N/A   |
|  | 21-40  | 30  | N/A   |
|  | 41-80  | 24  | N/A   |
|  | 81-100   | 18  | 12  |
|  | 100-120  | 12  | 9   |
|  | >120   | 9   | 9   |
| <b>Vibration</b>   |  |   |   |
| Unpackaged   | 5 Hz to 20 Hz: 0.001 g <sup>2</sup> /Hz sloping up to 0.01 g <sup>2</sup> /Hz        |   |   |
|  | 20 Hz to 500 Hz: 0.01 g <sup>2</sup> /Hz (flat)                                      |   |   |
|  | Input acceleration is 2.20 g RMS   |   |   |
| Packaged   | 5 Hz to 40 Hz: 0.015 g <sup>2</sup> /Hz (flat)                                       |   |   |
|  | 40 Hz to 500 Hz: 0.015 g <sup>2</sup> /Hz sloping down to 0.00015 g <sup>2</sup> /Hz |   |   |
|  | Input acceleration is 1.09 g RMS   |   |   |

Note: The operating temperature of the board may be determined by measuring the air temperature from the junction of the heatsink fins and fan, next to the attachment screw, in a closed chassis, while the system is in operation.

Note: Before attempting to operate this board, the overall temperature of the board must be above the minimum operating temperature specified. It is recommended that the board temperature be at least room temperature before attempting to power on the board. The operating and non-operating environment must avoid condensing humidity.



## **CAUTION**

*If the external ambient temperature exceeds 40 °C, further thermal testing is required to ensure components do not exceed their maximum operating temperature.*

# 3 Overview of BIOS Features

---

## 3.1 Introduction

The board uses Intel Visual BIOS that is stored in the Serial Peripheral Interface Flash Memory (SPI Flash) and can be updated using a disk-based program. The SPI Flash contains the Visual BIOS Setup program, POST, the PCI auto-configuration utility, LAN EEPROM information, and Plug and Play support.

The BIOS displays a message during POST identifying the type of BIOS and a revision code. The initial production BIOSs are identified as DNKBLi5v.86A.

The Visual BIOS Setup program can be used to view and change the BIOS settings for the computer. The BIOS Setup program is accessed by pressing the <F2> key after the Power-On Self-Test (POST) memory test begins and before the operating system boot begins.



### NOTE

*The maintenance menu is displayed only when the board is in configure mode. Section 2.3 on page 53 shows how to put the board in configure mode.*

## 3.2 BIOS Flash Memory Organization

The Serial Peripheral Interface Flash Memory (SPI Flash) includes a 16 MB flash memory device.

## 3.3 System Management BIOS (SMBIOS)

SMBIOS is a Desktop Management Interface (DMI) compliant method for managing computers in a managed network.

The main component of SMBIOS is the Management Information Format (MIF) database, which contains information about the computing system and its components. Using SMBIOS, a system administrator can obtain the system types, capabilities, operational status, and installation dates for system components. The MIF database defines the data and provides the method for accessing this information. The BIOS enables applications such as third-party management software to use SMBIOS. The BIOS stores and reports the following SMBIOS information:

- BIOS data, such as the BIOS revision level
- Fixed-system data, such as peripherals, serial numbers, and asset tags
- Resource data, such as memory size, cache size, and processor speed
- Dynamic data, such as event detection and error logging

Non-Plug and Play operating systems require an additional interface for obtaining the SMBIOS information. The BIOS supports an SMBIOS table interface for such operating systems. Using this support, an SMBIOS service-level application running on a non-Plug and Play operating system can obtain the SMBIOS information. Additional board information can be found in the BIOS under the Additional Information header under the Main BIOS page.

## 3.4 Legacy USB Support

Legacy USB support enables USB devices to be used even when the operating system's USB drivers are not yet available. Legacy USB support is used to access the BIOS Setup program, and to install an operating system that supports USB. By default, Legacy USB support is set to Enabled.

Legacy USB support operates as follows:

1. When you apply power to the computer, legacy support is disabled.
2. POST begins.
3. Legacy USB support is enabled by the BIOS allowing you to use a USB keyboard to enter and configure the BIOS Setup program and the maintenance menu.
4. POST completes.
5. The operating system loads. While the operating system is loading, USB keyboards and mice are recognized and may be used to configure the operating system. (Keyboards and mice are not recognized during this period if Legacy USB support was set to Disabled in the BIOS Setup program.)
6. After the operating system loads the USB drivers, all legacy and non-legacy USB devices are recognized by the operating system, and Legacy USB support from the BIOS is no longer used.

To install an operating system that supports USB, verify that Legacy USB support in the BIOS Setup program is set to Enabled and follow the operating system's installation instructions.

## 3.5 BIOS Updates

The BIOS can be updated using one of the following methods:

- Intel® Express BIOS Update utility, which enables automated updating while in the Windows environment. Using this utility, the BIOS can be updated from a file on a hard disk, a USB drive, a CD-ROM, or from the file location on the Web.
- Intel® Flash Memory Update Utility, which requires booting from DOS. In order to boot from DOS the legacy boot option in the BIOS has to be checked. Using this utility, the BIOS can be updated from a file on a hard disk or a USB drive.
- Intel® F7 switch during POST allows a user to select where the BIOS .bio file is located and perform the update from that location/device. Similar to performing a BIOS Recovery without removing the BIOS configuration jumper. The F7 switch supports FAT, FAT32, and NTFS format storage.
- Intel® Visual BIOS has an option to update the BIOS from a valid .bio file located on a hard disk or USB drive. Enter Intel Visual BIOS by pressing <F2> during POST.

Both utilities verify that the updated BIOS matches the target system to prevent accidentally installing an incompatible BIOS.



### NOTE

*Review the instructions distributed with the upgrade utility before attempting a BIOS update.*

| For information about | Refer to  |
|-----------------------|---|
| BIOS update utilities | <a href="http://support.intel.com/support/motherboards/desktop/sb/CS-034499.htm">http://support.intel.com/support/motherboards/desktop/sb/CS-034499.htm</a> |

### 3.5.1 Language Support

The BIOS Setup program and help messages are supported in US English. Check the Intel web site for support.

### 3.5.2 BIOS Recovery

It is unlikely that anything will interrupt a BIOS update; however, if an interruption occurs, the BIOS could be damaged. Table 31 lists the drives and media types that can and cannot be used for BIOS recovery. The BIOS recovery media does not need to be made bootable.

**Table 31. Acceptable Drives/Media Types for BIOS Recovery**

| Media Type <sup>(Note)</sup>               | Can be used for BIOS recovery? |
|--|--------------------------------|
| Hard disk drive (connected to SATA or USB) | Yes                            |
| USB flash drive                            | Yes                            |



## NOTE

*Supported file systems for BIOS recovery:*

- *NTFS (sparse, compressed, or encrypted files are not supported)*
- *FAT32*
- *FAT16*
- *FAT12*
- *ISO 9660*

---

| <b>For information about</b> | <b>Refer to</b> |
|------------------------------|-----------------|
|------------------------------|-----------------|

|               |   |
|---------------|---|
| BIOS recovery | <a href="http://www.intel.com/support/motherboards/desktop/sb/cs-034524.htm">http://www.intel.com/support/motherboards/desktop/sb/cs-034524.htm</a> |
|---------------|---|

## 3.6 Boot Options

In the BIOS Setup program, the user can choose to boot from a hard drive, optical drive, removable drive, or the network. The default setting is for the optical drive to be the first boot device, the hard drive second, removable drive third, and the network fourth.



### NOTE

*Optical drives are not supported by the onboard SATA connectors. Optical drives are supported only via the USB interfaces.*

### 3.6.1 Network Boot

The network can be selected as a boot device. This selection allows booting from the onboard LAN or a network add-in card with a remote boot ROM installed.

Pressing the <F12> key during POST automatically forces booting from the LAN. To use this key during POST, the User Access Level in the BIOS Setup program's Security menu must be set to Full.

### 3.6.2 Booting Without Attached Devices

For use in embedded applications, the BIOS has been designed so that after passing the POST, the operating system loader is invoked even if the following devices are not present:

- Video adapter
- Keyboard
- Mouse

### 3.6.3 iSCSI Boot

iSCSI is available on Dawson Canyon and can be configured in two different ways to achieve different functions. The first can be used to configure iSCSI boot. This functionality is accessible through the BIOS Setup Menu on the "Add-in Config" tab. The second can be used to configure disk array access through the network via SCSI commands in Windows OS. The menu for this option can be found under Control Panel > Administrative Tools > iSCSI Initiator.

### 3.6.4 Changing the Default Boot Device during POST

Pressing the <F10> key during POST causes a boot device menu to be displayed. This menu displays the list of available boot devices. Table 32 lists the boot device menu options.

**Table 32. Boot Device Menu Options**

| Boot Device Menu Function Keys | Description  |
|--------------------------------|--|
| <↑> or <↓>                     | Selects a default boot device  |
| <Enter>                        | Exits the menu, and boots from the selected device                                 |
| <Esc>                          | Exits the menu and boots according to the boot priority defined through BIOS setup |

### 3.6.5 Power Button Menu

As an alternative to Back-to-BIOS Mode or normal POST Hotkeys, the user can use the power button to access a menu. The Power Button Menu is accessible via the following sequence:

1. System is in S4/S5 (not G3)
2. User pushes the power button and holds it down for 3 seconds
3. The system will emit three short beeps from the front panel (FP) audio port, then stop to signal the user to release the power button. The FP power button LED will also change from Blue to Amber when the user can release the power button.
4. User releases the power button before the 4-second shutdown override

If this boot path is taken, the BIOS will use default settings, ignoring settings in VPD where possible.

At the point where Setup Entry/Boot would be in the normal boot path, the BIOS will display the following prompt and wait for a keystroke:

[ESC] Normal Boot  
[F2] Intel Visual BIOS  
[F3] Disable Fast Boot  
[F4] BIOS Recovery  
[F7] Update BIOS  
[F10] Enter Boot Menu  
[F12] Network Boot

**[F2] Enter Setup** is displayed instead if Visual BIOS is not supported.

**[F3] Disable Fast Boot** is only displayed if at least one Fast Boot optimization is enabled.

**[F9] Remote Assistance** is only displayed if Remote Assistance is supported.

If an unrecognized key is hit, then the BIOS will beep and wait for another keystroke. If one of the listed hotkeys is hit, the BIOS will follow the indicated boot path. Password requirements must still be honored.

If Disable Fast Boot is selected, the BIOS will disable all Fast Boot optimizations and reset the system.



## 3.7 Hard Disk Drive Password Security Feature

The Hard Disk Drive Password Security feature blocks read and write accesses to the hard disk drive until the correct password is given. Hard Disk Drive Passwords are set in BIOS SETUP and are prompted for during BIOS POST. For convenient support of S3 resume, the system BIOS will automatically unlock drives on resume from S3. Valid password characters are A-Z, a-z, and 0-9. Passwords may be up to 19 characters in length.

The User hard disk drive password, when installed, will be required upon each power-cycle until the Master Key or User hard disk drive password is submitted.

The Master Key hard disk drive password, when installed, will not lock the drive. The Master Key hard disk drive password exists as an unlock override in the event that the User hard disk drive password is forgotten. Only the installation of the User hard disk drive password will cause a hard disk to be locked upon a system power-cycle.

Table 33 shows the effects of setting the Hard Disk Drive Passwords.

**Table 33. Master Key and User Hard Drive Password Functions**

| Password Set        | Password During Boot |
|---------------------|----------------------|
| Neither             | None                 |
| Master only         | None                 |
| User only           | User only            |
| Master and User Set | Master or User       |

During every POST, if a User hard disk drive password is set, POST execution will pause with the following prompt to force the user to enter the Master Key or User hard disk drive password:

“Enter Hard Disk Drive Password:”

Upon successful entry of the Master Key or User hard disk drive password, the system will continue with normal POST.

If the hard disk drive password is not correctly entered, the system will go back to the above prompt. The user will have three attempts to correctly enter the hard disk drive password. After the third unsuccessful hard disk drive password attempt, the system will halt with the message:

“Hard Disk Drive Password Entry Error”

A manual power cycle will be required to resume system operation.



### NOTE

*As implemented on Intel NUC Board NUC7i5DNBE, Hard Disk Drive Password Security is only supported on either SATA Port 0 (M.2) or SATA Port 1 (onboard SATA connector). The passwords are stored on the hard disk drive so if the drive is relocated to another computer that does not support Hard Disk Drive Password Security feature, the drive will not be accessible.*

## 3.8 BIOS Security Features

The BIOS includes security features that restrict access to the BIOS Setup program and who can boot the computer. A supervisor password and a user password can be set for the BIOS Setup program and for booting the computer, with the following restrictions:

- The supervisor password gives unrestricted access to view and change all the Setup options in the BIOS Setup program. This is the supervisor mode.
- The user password gives restricted access to view and change Setup options in the BIOS Setup program. This is the user mode.
- If only the supervisor password is set, pressing the <Enter> key at the password prompt of the BIOS Setup program allows the user restricted access to Setup.
- If both the supervisor and user passwords are set, users can enter either the supervisor password or the user password to access Setup. Users have access to Setup respective to which password is entered.
- Setting the user password restricts who can boot the computer. The password prompt will be displayed before the computer is booted. If only the supervisor password is set, the computer boots without asking for a password. If both passwords are set, the user can enter either password to boot the computer.
- For enhanced security, use different passwords for the supervisor and user passwords.
- Valid password characters are A-Z, a-z, and 0-9. Passwords may be up to 16 characters in length.
- To clear a set password, enter a blank password after entering the existing password.

Table 34 shows the effects of setting the supervisor password and user password. This table is for reference only and is not displayed on the screen.

**Table 34. Supervisor and User Password Functions**

| Password Set            | Supervisor Mode               | User Mode                              | Setup Options                         | Password to Enter Setup | Password During Boot |
|-------------------------|-------------------------------|--|---------------------------------------|-------------------------|----------------------|
| Neither                 | Can change all options (Note) | Can change all options (Note)          | None                                  | None                    | None                 |
| Supervisor only         | Can change all options        | Can change a limited number of options | Supervisor Password                   | Supervisor              | None                 |
| User only               | N/A                           | Can change all options                 | Enter Password<br>Clear User Password | User                    | User                 |
| Supervisor and user set | Can change all options        | Can change a limited number of options | Supervisor Password<br>Enter Password | Supervisor or user      | Supervisor or user   |

Note: If no password is set, any user can change all Setup options.

## 4 Error Messages and Blink Codes

---

### 4.1 Front-panel Power LED Blink Codes

Whenever a recoverable error occurs during POST, the BIOS causes the board's front panel power LED to blink an error message describing the problem (see Table 35).

**Table 35. Front-panel Power LED Blink Codes**

| Type                          | Pattern   | Note                             |
|-------------------------------|---|----------------------------------|
| BIOS update in progress       | Off when the update begins, then on for 0.5 seconds, then off for 0.5 seconds. The pattern repeats until the BIOS update is complete.                                     |                                  |
| Video error <sup>(Note)</sup> | On-off (1.0 second each) two times, then 2.5-second pause (off), entire pattern repeats (blink and pause) until the system is powered off.                                | When no VGA option ROM is found. |
| Memory error                  | On-off (1.0 second each) three times, then 2.5-second pause (off), entire pattern repeats (blinks and pause) until the system is powered off.                             |                                  |
| Thermal trip warning          | Each beep will be accompanied by the following blink pattern: .25 seconds on, .25 seconds off, .25 seconds on, .25 seconds off. This will result in a total of 16 blinks. |                                  |

Note: Disabled per default BIOS setup option.

### 4.2 BIOS Error Messages

Table 36 lists the error messages and provides a brief description of each.

**Table 36. BIOS Error Messages**

| Error Message            | Explanation  |
|--------------------------|--|
| CMOS Battery Low         | The battery may be losing power. Replace the battery soon.                                       |
| CMOS Checksum Bad        | The CMOS checksum is incorrect. CMOS memory may have been corrupted. Run Setup to reset values.  |
| Memory Size Decreased    | Memory size has decreased since the last boot. If no memory was removed, then memory may be bad. |
| No Boot Device Available | System did not find a device to boot.  |

## X-ON Electronics

Largest Supplier of Electrical and Electronic Components

*Click to view similar products for [Single Board Computers](#) category:*

*Click to view products by [Intel](#) manufacturer:*

Other Similar products are found below :

[MANO882VPGGA-H81](#) [SSD3200W-S-SLC-INN 20-101-0738](#) [MVME61006E-2173R](#) [SHB230DGGGA-RC](#) [IMB210VGGA](#) [IB915F-3955](#)  
[MI958F-16C](#) [S2600WFT](#) [S2600STB](#) [BBS2600BPS](#) [BLKNUC7I3DNHNC1978015](#) [DEV-17745](#) [BEAGLEBOARD POCKET](#) [MICROSOM](#)  
[I2 + WIFI/BT](#) [HUMMINGBOARD-I2EX](#) [BASE + WIFI/BT](#) [HUMMINGBOARD-I4 PRO + WIFI/BT](#) [VAB-600-B](#) [RT5350F-OLINUXINO-](#)  
[EVB](#) [MITX-440-DVI-2E](#) [ATCA-7365-D-24GB](#) [NITX-315-DEVKIT](#) [A13-SOM-512](#) [NITX-315](#) [BANANA PI BPI-M1+](#) [A13-SOM-WIFI-](#)  
[4GB](#) [AM3359-SOM-EVB-IND](#) [UPS-APLC2-A10-0432](#) [DFR0419](#) [UPS-APLP4-A10-0864](#) [UPS-APLP4-A10-0432](#) [UPS-APLP4-A10-08128](#)  
[MI977F-Q27](#) [BBBLUE](#) [IB811F-I30](#) [DFR0470-ENT](#) [Nit6Q\\_i](#) [M2M \(TELIT\)](#) [RELAY](#) [PROFESSIONAL](#) [GCS22.2.080.2.2.I](#)  
[GCS22.8.100.4.2.I](#) [GLS11.2.053.2.2.E](#) [A20-OLINUXINO-LIME-E16GS16M](#) [A20-OLINUXINO-LIME-S16M](#) [A20-OLINUXINO-LIME2-](#)  
[E16GS16M](#) [A20-OLINUXINO-MICRO-E16GS16M](#) [A20-OLINUXINO-MICRO-S16M](#) [BANANA PI BPI-W2](#) [T2-OLINUXINO-LIME2-](#)  
[S16M-IND](#)