

eUniStone

BlueMoon™ Universal Platform Embedded

PBA 31309

Intel Public

User's Manual

Hardware Description

Revision 1.2, 23-Sep-2013



Information in this document related to the Intel product or, if any, related to its use is provided in connection with Intel products. No license, express or implied, by estoppel or otherwise, to any intellectual property rights is granted by this document except as provided in agreements concluded individually or Intel's terms and conditions of sale for such products. Intel assumes no liability whatsoever and Intel disclaims any express or implied warranty, relating to sale and/or use of Intel products including liability or warranties relating to fitness for a particular purpose, merchantability, or infringement of any patent, copyright or other intellectual property right.

Unless otherwise agreed in writing by Intel, the Intel products are not designed nor intended for any application in which the failure of the Intel product could create a situation where personal injury or death may occur.

Unless otherwise agreed upon, Intel may make changes to specifications and product descriptions at any time, without notice. Designers must not rely on the absence or characteristics of any features or instructions marked "reserved" or "undefined". Intel reserves these for future definition and shall have no responsibility whatsoever for conflicts or incompatibilities arising from future changes to them. Unless otherwise agreed, the information here is subject to change without notice. Do not finalize a design with this information.

Contact your local Intel sales office or your distributor to obtain the latest specifications and before placing your product order.

Copies of documents which have an order number and are referenced in this document, or other Intel literature, may be obtained by calling 1-800-548-4725, or go to: http://www.intel.com/#/en_US_01.

Any software source code reprinted in this document is furnished under a software license and may only be used or copied in accordance with the terms of that license.

This document may contain information on products in the design phase of development.

Intel product numbers are not a measure of performance. Product numbers differentiate features within each product family, not across different product families.

Code Names are only for use by Intel to identify products, platforms, programs, services, etc. ("products") in development by Intel that have not been made commercially available to the public, i.e., announced, launched or shipped. They are never to be used as "commercial" names for products. Also, they are not intended to function as trademarks.

SMARTI, SMARTI & Device, BlueMoon, Comneon, Comneon & Device, M-GOLD, S-GOLD, E-GOLD, A-GOLD, X-GOLD, XMM, X-PMU, XPOSYS are trademarks of Intel Corporation and related companies.

Copyright © 2013, Intel Corporation. All rights reserved.

*Other names and brands may be claimed as the property of others.



Revision History	
Page or Item	Subjects (major changes since previous revision)
Revision 1.2, 23-Sep-2013	
<Revision X.Y>, <yyyy-mm-dd>	

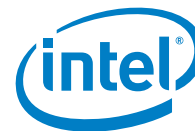


Contents

1.0	General Device Overview	8
1.1	Features	8
1.2	Block Diagram	9
1.3	Pin Configuration LGA	10
1.4	Pin Description	11
1.5	System Integration	13
1.6	SW Patch in EEPROM	14
2.0	Basic Operating Information	15
2.1	Power Supply	15
2.2	Clocking	15
2.3	Low Power Modes	15
2.3.1	Low Power Mode	15
2.3.2	Complete Power Down	15
2.3.3	ON/OFF	15
3.0	eUniStone Interfaces	16
3.1	UART Interface	16
3.1.1	UART	16
3.1.1.1	Baud Rates	16
3.1.1.2	Detailed UART Behavior	17
3.1.1.3	UARTCTS Response Time	18
3.2	Low Power Control	18
4.0	General Device Capabilities	19
4.1	RF Test Application	19
4.2	Firmware ROM Patching	19
4.2.1	Patch Support	19
5.0	Bluetooth Capabilities	20
5.1	Supported Features	20
5.2	eUniStone Bluetooth Features	20
5.2.1	Secure Simple Pairing	20
5.2.2	Role Switch	20
5.2.3	Sniff Mode	21
5.2.4	Sniff Subrating	21
5.2.5	Enhanced Power Control	21
5.2.6	Encryption Pause and Resume	21
6.0	Electrical Characteristics	22
6.1	Absolute Maximum Ratings	22
6.2	Operating Conditions	22
6.3	DC Characteristics	23
6.3.1	Pad Driver and Input Stages	23
6.3.2	Pull-ups and Pull-downs	25
6.3.3	Protection Circuits	25
6.3.4	System Power Consumption	26
6.4	RF Part	26
6.4.1	Characteristics RF Part	26
6.4.1.1	Bluetooth Related Specifications	26
7.0	Package Information	29
7.1	Package Marking	29
7.2	Production Package	30
7.2.1	Pin Mark	30

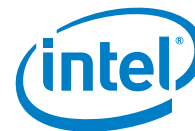


- 8.0 Bluetooth Qualification and Regulatory Certification** 31
 - 8.1 Reference Design 31
 - 8.2 FCC Class B Digital Devices Regulatory Notice..... 32
 - 8.3 FCC Wireless Notice..... 32
 - 8.4 FCC Interference Statement 33
 - 8.5 FCC Identifier 33
 - 8.6 European R&TTE Declaration of Conformity..... 34
 - 8.7 Bluetooth Qualified Design ID 34
 - 8.8 Label Design of the Host Product..... 34
 - 8.9 Regulatory Test House..... 34
 - 8.10 Declaration of Conformity to European Standards 35
- 9.0 Assembly Guidelines** 36
 - 9.1 General Description of the Module 36
 - 9.2 Printed Circuit Board Design 37
 - 9.3 Solder Paste Printing 38
 - 9.4 Assembly 38
 - 9.4.1 Component Placement 38
 - 9.4.2 Pin Mark 38
 - 9.4.3 Package..... 39
 - 9.5 Soldering Profile..... 40
 - 9.6 Rework..... 41
 - 9.6.1 Removal Procedure 41
 - 9.6.2 Replacement Procedure 41
 - 9.6.2.1 Alternative 1: Dispensing Solder 41
 - 9.6.2.2 Alternative 2: Printing Solder 42
 - 9.7 Inspection..... 42
 - 9.8 Component Salvage 43
 - 9.9 Voids in the Solder Joints 43
 - 9.9.1 Expected Void Content and Reliability 43
 - 9.9.2 Parameters with an Impact on Voiding 44



Figures

1	Simplified Block Diagram of eUniStone	9
2	Pin Configuration for eUniStone in Top View (footprint)	10
3	System Architecture Example with eUniStone	13
4	UART Interface	16
5	UARTCTS Response Time	18
6	Package Marking	29
7	Production Package	30
8	Top View and Bottom View	30
9	Reference Design Schematics	31
10	Cutout Drawing	33
11	Equipment Label	34
12	Declaration of Conformity	35
13	Pad Layout on the Module (top view)	36
14	Cutout Drawing	37
15	Pin Marking	38
16	Tape on Reel	39
17	Eutectic Lead-Solder Profile	40
18	Eutectic Leadfree-Solder Profile	40
19	Solder Printing	42
20	X-ray Picture Showing Voids Conforming to IPC-A-610D	43



Tables

1	Pin Description	11
2	UART Baud Rates	17
3	Default (non-inverted) behavior of UART signals	17
4	Absolute Maximum Ratings	22
5	Operating Conditions	22
6	Internal1 (1.5 V) Supplied Pins	23
7	Internal2 (2.5 V) Supplied Pins	23
8	VDDUART Supplied Pins	24
9	VDD1 Supplied Pins	24
10	ONOFF PIN	24
11	Pull-up and Pull-down Currents	25
12	Max. Load at the Different Supply Voltages	26
13	BDR - Transmitter Part	26
14	BDR -Receiver Part	27
15	EDR - Transmitter Part	27
16	EDR -Receiver Part	28



1.0 General Device Overview

1.1 Features

General

- Complete Bluetooth 2.1 + EDR solution
- Implements a single point-to-point data link to other SPP capable Bluetooth devices
- Ultra low power design in 0.13 μm CMOS
- Temperature range from -40°C to $+85^{\circ}\text{C}$
- Integrates Processor, RAM and patchable ROM
- On-module voltage regulators. External supply 2.9 - 4.1 V
- On-module EEPROM with configuration data
- On-module tuned reference clock
- Module can enter low power mode in idle state and during sniff intervals

Interfaces

- AT command interface over UART with HW flow control
- Default UART baudrate 115200 bit/s
- Module configuration reprogrammable for 9600 bit/s up to 3.25 Mbit/s UART baudrate
- JTAG for boundary scan in production test

RF

- Class 2 device up to +4 dBm
- Receiver sensitivity typ. -86 dBm
- Integrated antenna, balun and ISM band filter
- Integrated LNA with excellent blocking and intermodulation performance
- Digital demodulation for optimum sensitivity and co-/adjacent channel performance



Bluetooth

- Bluetooth V2.1 + EDR compliant
- Secure Simple Pairing
- Device A (initiating link) or Device B (accepting link) roles supported
- Single point-to-point data link, role switch supported
- Packet data mode and stream data mode supported
- Sniff mode and Sniff Subrating
- 5 trusted devices stored in EEPROM
- SW version available to configure specific RF certification tests

1.2 Block Diagram

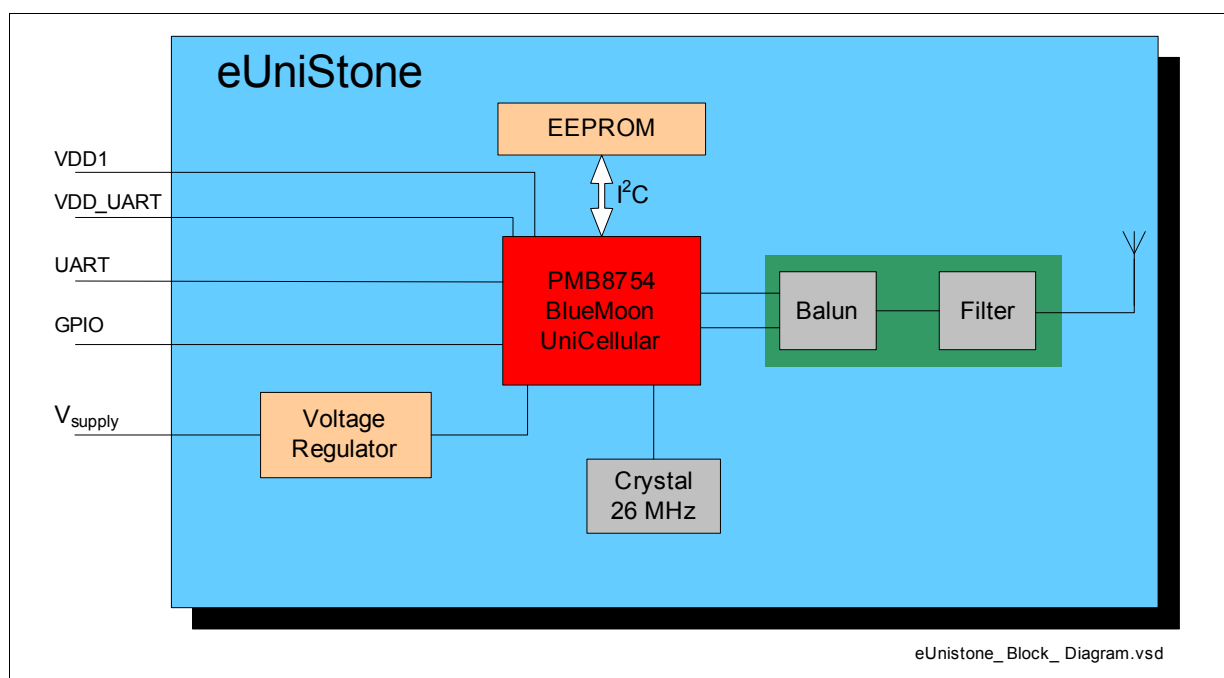


Figure 1. Simplified Block Diagram of eUniStone



1.3 Pin Configuration LGA

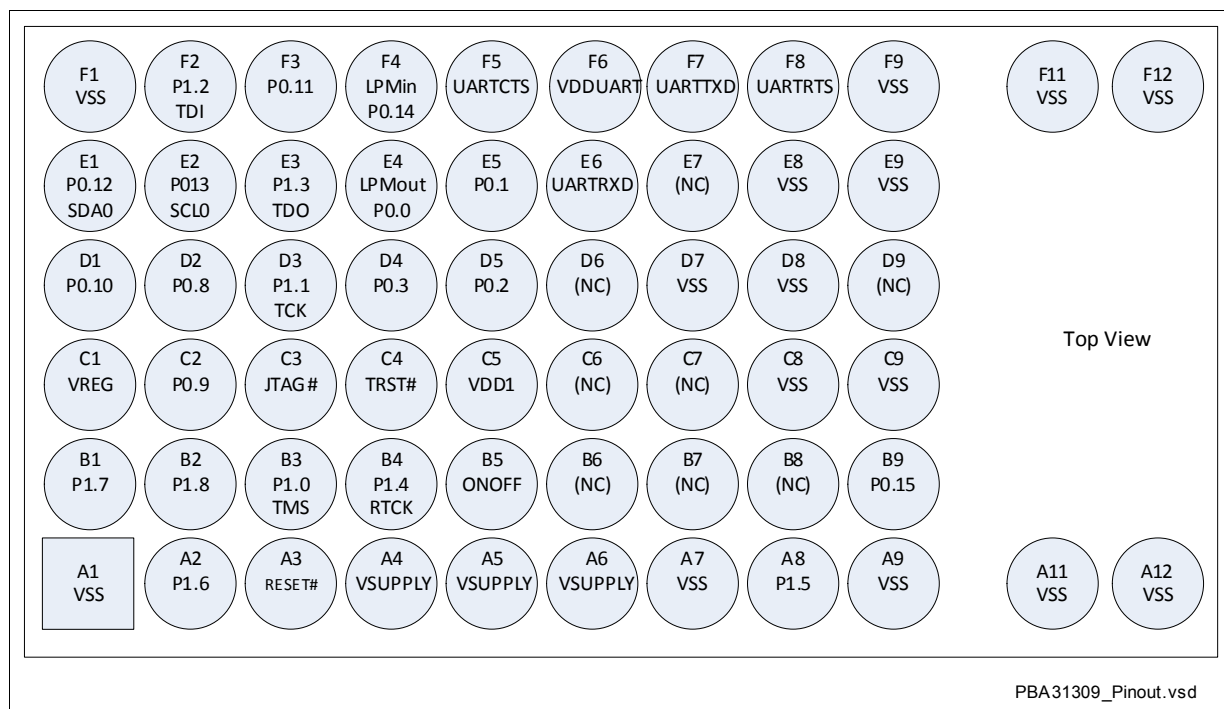


Figure 2. Pin Configuration for eUniStone in Top View (footprint)



1.4 Pin Description

The non-shaded cells indicate pins that will be fixed for the product lifetime. Shaded cells indicate that the pin might be removed/changed in future variants. Pins not listed below shall not be connected.

Table 1. Pin Description

Pin No.	Symbol	Input / Output	Supply Voltage	During Reset	After Reset	Function
A2	P1.6	I/O/OD	Internal1	Z	Z	Port 1.6
A3	RESET#	AI	Internal1	Input	Input	Hardware Reset
A8	P1.5	I/O/OD	Internal1	Input	Input	Port 1.5
B1	P1.7	I/O/OD	Internal1	PD/ Input	PD/ Input	Port 1.7
B2	P1.8	I/O/OD	Internal1	PD	PD	Port 1.8
B3	P1.0 / TMS	I/O/OD	Internal2	PU ¹	PU ¹	Port 1.0 or JTAG interface
B4	P1.4 / RTCK	I/O/OD	Internal2	Z	Z	Port 1.4 or JTAG interface
B5	ONOFF	I		-	-	Turns off module completely
B9	P0.15	I/O	VDDUART	PD	H	Port 0.15
C2	P0.9	I/O/OD	Internal2	Z	Z	Port 0.9
C3	JTAG#	I	Internal2	PU	PU	Mode selection Port 1: 0: JTAG 1: Port
C4	TRST#	I	Internal2	PD	PD	JTAG interface
D1	P0.10	I/O/OD	Internal2	Z	Z	Port 0.10
D2	P0.8	I/O/OD	Internal2	PD	PD	Port 0.8
D3	P1.1 / TCK	I/O/OD	Internal2	PU ¹	PU ¹	Port 1.1 or JTAG interface
D4	P0.3	I/O/OD	VDD1	Conf. PD def.	Conf. PD def.	Port 0.3
D5	P0.2	I/O/OD	VDD1	Z	Z	Port 0.2
E1	P0.12 / SDA0	I/O/OD	Internal2	PU	PU	I2C data signal
E2	P0.13 / SCL0	I/O/OD	Internal2	PU	PU	I2C clock signal
E3	P1.3 / TDO	I/O/OD	Internal2	Z	Z	Port 1.3 or JTAG interface
E4	P0.0 LPMout	I/O/OD	VDD1	PD	PD	Port 0.0 LPM wakeup output
E5	P0.1	I/O/OD	VDD1	PD	PD	Port 0.1
E6	P0.5 / UARTRXD	I/O/OD	VDDUART	Z	Z	Port 0.5 or UART receive data
F2	P1.2 / TDI	I/O/OD	Internal2	PU ¹	PU ¹	Port 1.2 or JTAG interface
F3	P0.11	I/O/OD	Internal2	Z	Z	Port 0.11
F4	P0.14 LPMIn	I/O	VDDUART	Z	Z	Port 0.14 LPM wakup input
F5	P0.7 / UARTCTS	I/O/OD	VDDUART	Z	Z	Port 0.7 or UART CTS flow control
F7	P0.4 / UARTTXD	I/O/OD	VDDUART	PU	PU	Port 0.4 or UART transmit data
F8	P0.6 / UARTRTS	I/O/OD	VDDUART	PU	PU	Port 0.6 or UART RTS flow control
A4, A5, A6	VSUPPLY	SI		-	-	Power supply
C1	VREG	SO		-	-	Regulated Power supply
F6	VDDUART	SI		-	-	UART interface Power supply
C5	VDD1	SI		-	-	Power supply



Table 1. Pin Description (Continued)

Pin No.	Symbol	Input / Output	Supply Voltage	During Reset	After Reset	Function
A1, A7, A9, A11, A12, C8, C9, D7, D8, E8, E9, F1, F9, F11, F12	VSS			-	-	Ground
B6, B7, B8, C6, C7, D6, D9, E7	NC	-	-	-	-	No connection

1. Fixed pull-up/pull-down if JTAG interface is selected, not affected by any chip reset. If JTAG interface is not selected the port is tristate.

Descriptions of acronyms used in the pin list:

Acronym	Description
I	Input
O	Output
OD	Output with open drain capability
Z	Tristate
PU	Pull-up
PD	Pull-down
A	Analog (e.g. AI means analog input)
S	Supply (e.g. SO means supply output)



1.5 System Integration

eUniStone is optimized for a low bill of material (BOM) and a small PCB size. Figure 3 shows a typical application example.

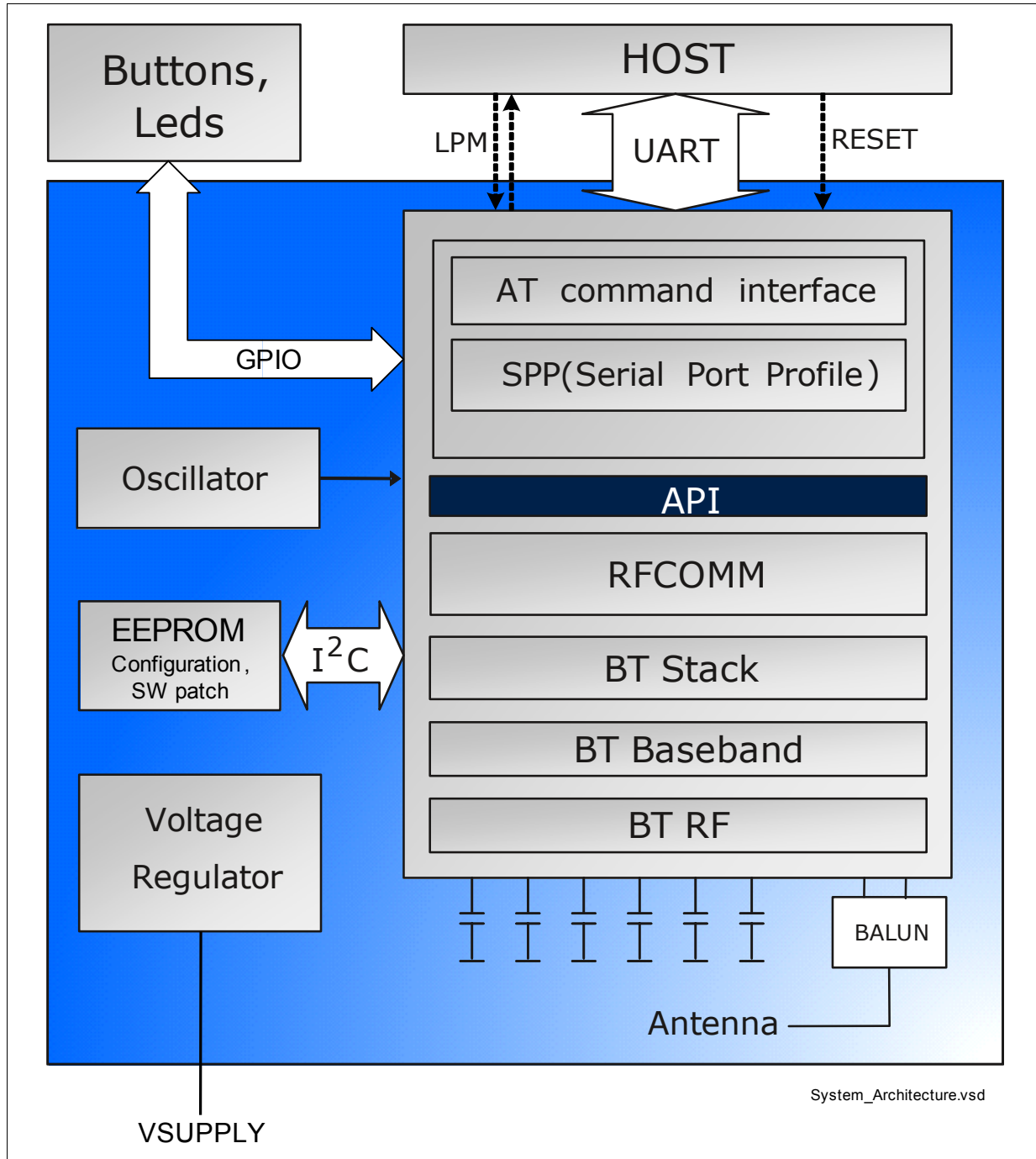
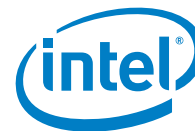


Figure 3. System Architecture Example with eUniStone



The UART interface is used for communication between the host and eUniStone. The lines UARTTXD and UARTRXD are used for commands, events and data. The lines UARTRTS and UARTCTS are used for hardware flow control.

Low power mode control of eUniStone and the host can be implemented by using the pins P0.14 and P0.0. P0.14 is used by the host to allow eUniStone to enter low power mode and P0.0 is used by eUniStone to wake-up the host when attention is required. To save current in idle mode, the host could hardware reset the module using the RESET#.

Power is supplied to a single VSUPPLY input from which internal regulators can generate all required voltages. The UART and the GPIO's interfaces have separate supply voltages so that they can comply with host signaling.

1.6 SW Patch in EEPROM

Bugfixes for the SW in ROM are downloaded from the EEPROM. Intel may include new bugfixes in EEPROM during product lifetime.



2.0 Basic Operating Information

2.1 Power Supply

eUniStone is supplied from a single supply voltage VSUPPLY. This supply voltage must always be present. The Bluetooth chip is supplied from an internally generated 2.5 V supply voltage. This voltage can be accessed from the VREG pin. This voltage shall not be used for supplying other components in the host system but can be used for referencing the host interfaces.

The GPIO's and the UART interface are supplied with dedicated, independent, reference levels via the VDD1 and VDDUART pins. All other digital I/O pins are supplied internally by either 2.5 V (Internal2) or 1.5 V (Internal1). [Section 1.4](#) provides a mapping between pins and supply voltages.

The I/O power domains (VDD1 and VDDUART) are completely separated from the other power domains and can stay present also in low power modes.

2.2 Clocking

eUniStone contains a crystal from which the internal 26 MHz system clock is generated. Also, the low power mode clock of 32.768 kHz is generated internally, which means that no external clock is needed.

2.3 Low Power Modes

To minimize current consumption, eUniStone automatically switches between different low power modes. The major modes are described below.

2.3.1 Low Power Mode

In Low Power Mode (LPM) most parts of eUniStone are powered down. This is done automatically in idle mode or if the link is in Sniff mode and the host allows LPM with the pin P0.14.

2.3.2 Complete Power Down

If Bluetooth functionality is not needed at all, VSUPPLY should be grounded to minimize power consumption. In this state there is no activity in eUniStone and the Bluetooth state (native clock, etc.) is not updated.

2.3.3 ON/OFF

If VSUPPLY, VDDUART and VDD1 are supplied by the same source, it is not possible to switch off the module with the ONOFF pin. ONOFF shall then be connected to VSUPPLY. For details on how to use ONOFF, see the Design Guideline [\[3\]](#). An alternative to save current in idle mode is to let the host hardware reset the module using the RESET# pin. Having the module in reset will turn off most parts in the module and make the module use a minimum of current.

3.0 eUniStone Interfaces

3.1 UART Interface

The UART interface is the main communication interface between the host and eUniStone. AT commands are described in detail in the AT Commands specification [1].

The interface consists of four UART signals and two LPM control signals as shown in Figure 4.

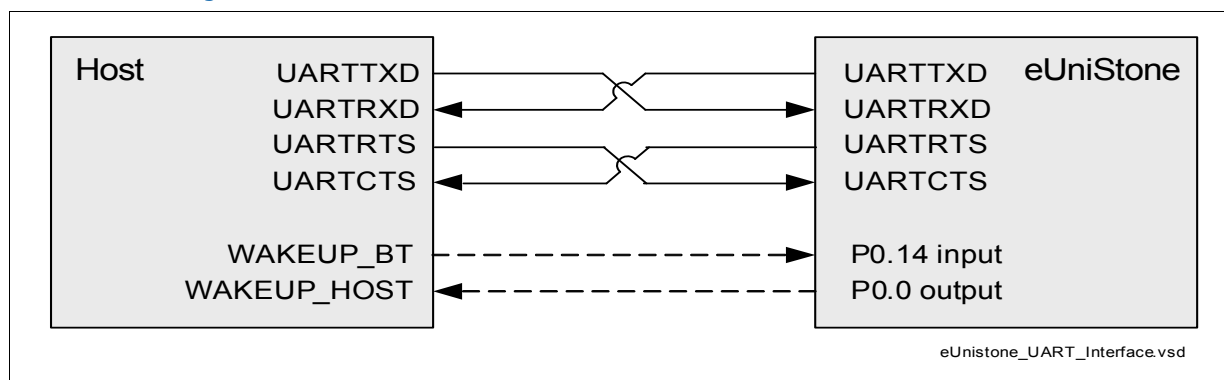


Figure 4. UART Interface

3.1.1 UART

The lines UARTTXD and UARTRXD are used for commands, responses and data. The lines UARTRTS and UARTCTS are used for hardware flow control. A separate supply voltage, VDDUART, defines the UART reference levels to fit any system requirements.

3.1.1.1 Baud Rates

The UART baud rate can be configured with the BD_DATA parameter *UART_Baudrate*. The module is programmed for a default baudrate of 115200 baud. Reprogramming of the EEPROM configuration is possible by AT commands at manufacturing time of the end product. The baudrate written to EEPROM will be used each time eUniStone starts or, HW or SW reset is done.

The host is also able to change the baudrate temporarily with an AT command. This baudrate is used by eUniStone until a HW or SW reset is done, when it will change back to the baudrate stored in the EEPROM.

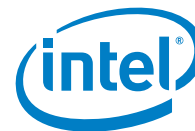


Table 2 shows the UART baudrates supported.

Table 2. UART Baud Rates

Standard Baud Rate	Module Baud Rate	Deviation in %
9600	9615	0.16
19200	19230	0.16
38400	38461	0.16
57600	57522	-0.14
115200	115044	-0.14
230400	230088	-0.14
460800	464285	0.76
921600	928571	0.76
1843200	1857142	0.76
3250000	3250000	0

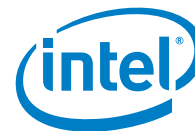
3.1.1.2 Detailed UART Behavior

After reset the UART interface is configured with one start bit, eight data bits, no parity bit and one stop bit. The least significant bit is transmitted first.

The polarity of the UART signals can be changed with the BD_DATA parameter *UART_Invert*. The default (non-inverted) behavior is shown in Table 3

Table 3. Default (non-inverted) behavior of UART signals

Signal	Level	Meaning
UARTTXD / UARTRXD	0	Start bit, '0' bit in character.
	1	Idle level, stop bit
UARTRTS / UARTCTS	0	Flow on
	1	Flow stopped



3.1.1.3 UARTCTS Response Time

Figure 5 shows the UARTCTS response time. Assuming non-inverted UART signals, the data flow stops within the “flow off response time” after UARTCTS has been set to high. If UARTCTS goes high during the transmission of a byte (phase 1 in the figure) this byte will be completely transmitted. While UARTCTS is high, no data will be transmitted (phase 2). When UARTCTS goes low again, data transmission will continue (phase 3).

The maximum flow off response time is 10 UART bits (including start and stop bits). As an example, if the UART baud rate is 115200 Baud, the maximum flow off response time is $10 \times 1/115200 \text{ s} = 87 \mu\text{s}$.

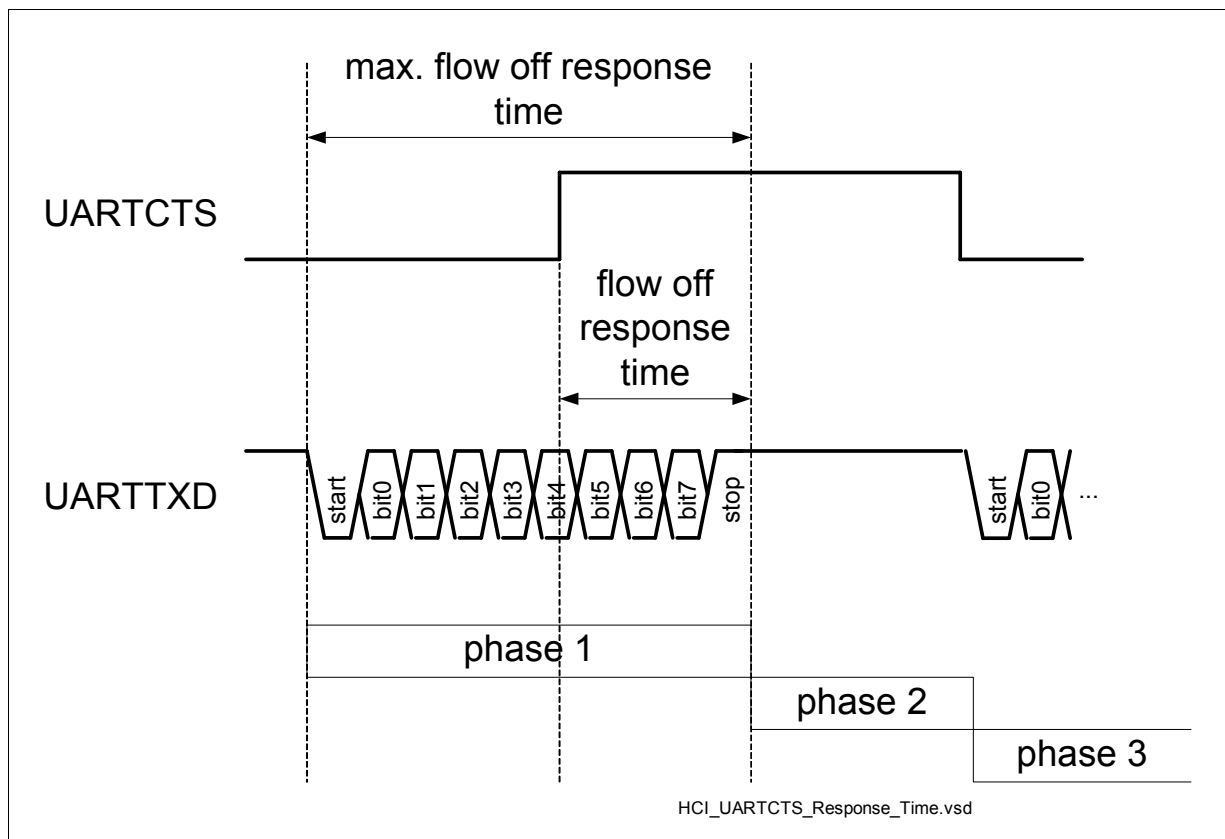


Figure 5. UARTCTS Response Time

3.2 Low Power Control

Pin P0.14 and P0.0 are optional, but strongly recommended to be used. P0.14 is used to allow eUniStone to enter Low Power Mode (LPM). P0.0 is used by eUniStone when in LPM to wake up the host.



4.0 General Device Capabilities

This chapter describes features available in the eUniStone (PBA 31309).

Actual feature set and how to access the features can be found in the AT Command document [1]. Release specific performance characteristics, data throughput and current consumption are listed in the SW Release Notes [2].

4.1 RF Test Application

The eUniStone module can be programmed over UART with a specific application for RF test purposes, e.g. TX continuous or TX burst mode. This test application is controlled over the UART through Intel specific HCI commands. The commands supported by this test application are described in the document "T8753-2-Intel_Specific_HCI_Commands-7600.pdf".

4.2 Firmware ROM Patching

In any chip with complex firmware in ROM it is wise to support patching. The risk of project delay is significantly reduced when problems can be solved without hardware changes. Enhancements, adaptations and bug fixes can be handled very late during design-in, even after the chip has been soldered in the final product.

The well-proven patch concept used in BlueMoon UniCellular is described below.

4.2.1 Patch Support

The Bluetooth chip contains dedicated hardware that makes it possible to apply patches to the code and data in the firmware ROM. The hardware is capable of replacing up to 32 blocks of 16 bytes each with new content. This area can be filled with any combination of code and data. The firmware patch is stored in EEPROM and automatically loaded after startup. This provides a flexible bugfix solution for the software in ROM.



5.0 Bluetooth Capabilities

5.1 Supported Features

- Bluetooth V2.1 + EDR compliant
- Enhanced Data Rate 2 and 3 Mbit/s symbol rate on the air
- Secure Simple Pairing
- Device A (initiating link) or Device B (accepting link) role supported
- Single point-to-point data link, role switch supported
- Packet data mode and stream data mode supported
- Link in sniff mode supported. Device enters Low Power Mode in sniff intervals if permitted by the host.
- Sniff Subrating
- 5 trusted devices stored in EEPROM
- Connection to a Bluetooth Tester

5.2 eUniStone Bluetooth Features

5.2.1 Secure Simple Pairing

The device implements Secure Simple Pairing with the following association models according to Bluetooth V2.1 core specification:

- Numeric Comparison
- Just Works
- Passkey Entry

Also pairing with legacy (Bluetooth V2.0 and older) devices is supported.

5.2.2 Role Switch

The initiating device (devA) starts as Bluetooth master of the link, the accepting device starts as Bluetooth slave of the link. The remote device can request a role change to accommodate with other Bluetooth links. If that happens, the module will send an event to the host. Also if the eUniStone start as slave, (Device B), the other device can change its own role making eUniStone master. The host controlling eUniStone will be notified with the same event.



5.2.3 Sniff Mode

The local host or the remote device can request sniff mode for the link. During sniff mode, the devices synchronize on sniff instants only. The module will enter low power mode in the sniff intervals, if allowed by the host LPM control signals. Data packets can be exchanged at the sniff instants only, so the data rate is reduced in sniff mode. The module will wake up the host when data is received or other responses need to be transmitted.

5.2.4 Sniff Subrating

The local host or the remote device can request Sniff Subrating for the link. When in sniff mode, the device will automatically switch between Sniff Mode and Sniff Subrating Mode making it possible to stay longer in Low Power Mode when there is no data transmitted or received.

5.2.5 Enhanced Power Control

eUniStone support Enhanced Power Control according to Bluetooth specification 3.0. The Enhanced Power Control is handled automatically to make different modulations modes transmit on optimal levels.

5.2.6 Encryption Pause and Resume

Encryption Pause Resume is supported making it possible to change connection link key on an encrypted link, pause the encryption and resume it with the new link key. This is handled automatically by eUniStone to make the link more secure.



6.0 Electrical Characteristics

6.1 Absolute Maximum Ratings

Table 4. Absolute Maximum Ratings

Parameter	Symbol	Values			Unit	Note / Test Condition
		Min.	Typ.	Max.		
Storage temperature		-40	-	125	°C	-
VSUPPLY supply voltage		-0.3	-	6.0	V	-
VDDUART supply voltage		-0.9	-	4.0	V	-
VDD1 supply voltage		-0.9	-	4.0	V	-
VREG		-0.3	-	4.0	V	VSUPPLY > 4 V
VREG		-0.3	-	VSUPPLY	V	VSUPPLY < 4 V
ONOFF		-0.3	-	VSUPPLY+0.3	V	
Input voltage range		-0.9	-	4.0	V	-
Output voltage range		-0.9	-	4.0	V	-9
ESD		-	-	1.0	kV	According to MIL-STD883D method 3015.7

Note: Stresses above those listed here are likely to cause permanent damage to the device. Exposure to absolute maximum rating conditions for extended periods may affect device reliability. Maximum ratings are absolute ratings; exceeding only one of these values may cause irreversible damage to the integrated circuit. Maximum ratings are not operating conditions.

6.2 Operating Conditions

Table 5. Operating Conditions

Parameter	Symbol	Values			Unit	Note / Test Condition
		Min.	Typ.	Max.		
Operating temperature		-40	-	85	°C	-
Main supply voltage (Vsupply)		2.9	-	4.1 ¹	V	-
VDDUART		1.35	-	3.6	V	-
VDD1		1.35	-	3.6	V	-

1. At ambient temperatures above 65°C the maximum allowed power dissipation in the module is limited to 200 mW



6.3 DC Characteristics

6.3.1 Pad Driver and Input Stages

For more information, see Chapter 1.4.

Table 6. Internal1 (1.5 V) Supplied Pins

Parameter	Symbol	Values			Unit	Note / Test Condition
		Min.	Typ.	Max.		
Input low voltage		-0.3	-	0.27	V	-
Input high voltage		1.15	-	3.6	V	-
Output low voltage		-	-	0.25	V	IOL = 1 mA
Output high voltage		1.1	-	-	V	IOH = -1 mA
Continuous Load ¹		-	-	1	mA	-
Pin Capacitance		-	-	10	pF	-
Magnitude Pin Leakage		-	0.01	1	μA	Input and output drivers disabled

1. The total continuous load for all Internal1 supplied pins shall not exceed 2 mA at the same time

Table 7. Internal2 (2.5 V) Supplied Pins

Parameter	Symbol	Values			Unit	Note / Test Condition
		Min.	Typ.	Max.		
Input low voltage		-0.3	-	0.45	V	-
Input high voltage		1.93	-	2.8	V	P0.10
Input high voltage		1.93	-	3.6	V	Other pins
Output low voltage		-	-	0.25	V	IOL = 5 mA
Output low voltage		-	-	0.15	V	IOL = 2 mA
Output high voltage		2.0	-	-	V	IOH = -5 mA
Output high voltage		2.1	-	-	V	IOH = -2 mA
Continuous Load ¹		-	-	5	mA	-
Pin Capacitance		-	-	10	pF	-
Magnitude Pin Leakage		-	0.01	1	μA	Input and output drivers disabled

1. The total continuous load for all Internal2 supplied pins shall not exceed 35 mA at the same time



Table 8. VDDUART Supplied Pins

Parameter	Symbol	Values			Unit	Note / Test Condition
		Min.	Typ.	Max.		
Input low voltage		-0.3	-	0.2*VDDUART	V	-
Input high voltage		0.7*VDDUART	-	VDDUART+0.3	V	P0.5/UARTRXD
Input high voltage		0.7*VDDUART	-	3.6	V	Other pins
Output low voltage		-	-	0.25	V	IOL = 5 mA VDDUART = 2.5 V
Output low voltage		-	-	0.15	V	IOL = 2 mA VDDUART = 2.5 V
Output high voltage		VDDUART -0.25	-	-	V	IOH = -5 mA VDDUART = 2.5 V
Output high voltage		VDDUART -0.15	-	-	V	IOH = -2 mA VDDUART = 2.5 V
Continuous Load ¹		-	-	5	mA	-
Pin Capacitance		-	-	10	pF	-
Magnitude Pin Leakage		-	0.01	1	µA	Input and output drivers disabled

1. The total continuous load for all VDDUART supplied pins shall not exceed 35 mA at the same time

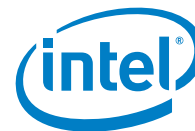
Table 9. VDD1 Supplied Pins

Parameter	Symbol	Values			Unit	Note / Test Condition
		Min.	Typ.	Max.		
Input low voltage		-0.3	-	0.2*VDD1	V	-
Input high voltage		0.7*VDD1	-	3.6	V	-
Output low voltage		-	-	0.25	V	IOL = 5 mA VDD1 = 2.5 V
Output low voltage		-	-	0.15	V	IOL = 2 mA VDD1 = 2.5 V
Output high voltage		VDD1 -0.25	-	-	V	IOH = -5 mA VDD1 = 2.5 V
Output high voltage		VDD1 -0.15	-	-	V	IOH = -2 mA VDD1 = 2.5 V
Continuous Load ¹		-	-	5	mA	-
Pin Capacitance		-	-	10	pF	-
Magnitude Pin Leakage		-	0.01	1	µA	Input and output drivers disabled

1. The total continuous load for all VDD1 supplied pins shall not exceed 35 mA at the same time

Table 10. ONOFF PIN

Parameter	Symbol	Values			Unit	Note / Test Condition
		Min.	Typ.	Max.		
Input low voltage		-	-	0.7	V	-
Input high voltage		1.7	-	VSUPPLY	V	-
Input current		-1	0.01	1	µA	ONOFF = 0 V



6.3.2 Pull-ups and Pull-downs

Table 11. Pull-up and Pull-down Currents

Pin	Pull Up Current			Pull Down Current			Unit	Conditions
	Min.	Typ.	Max.	Min.	Typ.	Max.		
P0.12 P0.13	260	740	1300	N/A	N/A	N/A	µA	Pull-up current measured with pin voltage = 0 V
P0.0 P0.1 P0.2 P0.3	22	130	350	23	150	380	µA	Pull-down current measured with pin voltage = supply voltage
P0.4 P0.5 P0.6 P0.7 P0.10 P0.8 P0.9 P0.11 P0.14 P0.15	4.2	24	68	3.0	20	55	µA	Min measured at 125°C with supply = 1.35 V Typ. measured at 27°C with supply = 2.5V Max measured at -40°C with supply = 3.63 V
P1.0 P1.1 P1.2 P1.3 P1.4 P1.5 P1.6 P1.7 P1.8	1.1	6.0	17	0.75	5.0	14	µA	

6.3.3 Protection Circuits

All pins have an inverse protection diode against VSS.
 P0.10 has an inverse diode against Internal2.
 P0.5/UARTRXD has an inverse diode against VDDUART.
 All other pins have no diode against their supply.



6.3.4 System Power Consumption

Table 12. Max. Load at the Different Supply Voltages

Parameter	Symbol	Values			Unit	Note / Test Condition
		Min.	Typ.	Max.		
Vsupply		-	-	100	mA	Peak current

Note: I/O currents are not included since they depend mainly on external loads. For more details see [2].

6.4 RF Part

6.4.1 Characteristics RF Part

The characteristics involve the spread of values to be within the specific temperature range. Typical characteristics are the median of the production.

All values refers to Intel reference design.

6.4.1.1 Bluetooth Related Specifications

Table 13. BDR - Transmitter Part

Parameter	Symbol	Values			Unit	Note / Test Condition
		Min.	Typ.	Max.		
Output power (high gain)		0.5	2.5	4.5	dBm	Default settings
Output power (highest gain)		-	4.5	-	dBm	Maximum settings
Power control step size		4	6	8	dB	-
Frequency range fL		2400	2401.3	-	MHz	-
Frequency range fH		-	2480.7	2483.5	MHz	-
20 dB bandwidth		-	0.930	1	MHz	-
2nd adjacent channel power		-	-40	-20	dBm	-
3rd adjacent channel power		-	-60	-40	dBm	-
>3rd adjacent channel power		-	-64	-40	dBm	Max. 2 of 3 exceptions @ 52 MHz offset might be used
Average modulation deviation for 00001111 sequence		140	156	175	kHz	-
Minimum modulation deviation for 01010101 sequence		115	145	-	kHz	-
Ratio Deviation 01010101 / Deviation 00001111		0.8	1	-		-
Initial carrier frequency tolerance foffset		-	-	75	kHz	-
Carrier frequency drift (one slot) fdrift		-	10	25	kHz	-
Carrier frequency drift (three slots) fdrift		-	10	40	kHz	-
Carrier frequency drift (five slots) fdrift		-	10	40	kHz	-
Carrier frequency drift rate (one slot) fdriftrate		-	5	20	kHz/50 ms	-



Electrical Characteristics

Table 13. BDR - Transmitter Part (Continued)

Parameter	Symbol	Values			Unit	Note / Test Condition
		Min.	Typ.	Max.		
Carrier frequency drift rate (three slots) fdriftrate		-	5	20	kHz/50 ms	-
Carrier frequency drift rate (five slots) fdriftrate		-	5	20	kHz/50 ms	-

Table 14. BDR -Receiver Part

Parameter	Symbol	Values			Unit	Note / Test Condition
		Min.	Typ.	Max.		
Sensitivity		-	-86	-81	dBm	Ideal wanted signal
C/I-performance: -4th adjacent channel		-	-51	-40	dB	-
C/I-performance: -3rd adjacent channel (1st adj. of image)		-	-46	-20	dB	-
C/I-performance: -2nd adjacent channel (image)		-	-35	-9	dB	-
C/I-performance: -1st adjacent channel		-	-4	0	dB	-
C/I-performance: co. channel		-	9	11	dB	-
C/I-performance: +1st adjacent channel		-	-4	0	dB	-
C/I-performance: +2nd adjacent channel		-	-40	-30	dB	-
C/I-performance: +3rd adjacent channel		-	-50	-40	dB	-
Blocking performance 30 MHz - 2 GHz		10	-	-	dBm	Some spurious responses, but according to BT-specification
Blocking performance 2 GHz - 2.4 GHz		-27	-	-	dBm	-
Blocking performance 2.5 GHz - 3 GHz		-27	-	-	dBm	-
Blocking performance 3 GHz - 12.75 GHz		10	-	-	dBm	Some spurious responses, but according to BT-specification
Intermodulation performance		-39	-34	-	dBm	Valid for all intermodulation tests
Maximum input level		-20	-	-	dBm	-

Table 15. EDR - Transmitter Part

Parameter	Symbol	Values			Unit	Note / Test Condition
		Min.	Typ.	Max.		
Output power (high gain)		-2.5	-	2	dBm	
Relative transmit power: P _x PSK - PGFSK		-4	-0.6	1	dB	
Carrier frequency stability ω _i		-	-	75	kHz	-
Carrier frequency stability ω _i +ω ₀		-	-	75	kHz	-
Carrier frequency stability ω ₀		-	2	10	kHz	-
DPSK - RMS DEVM		-	10	20	%	-
8DPSK - RMS DEVM		-	10	13	%	-
DPSK - Peak DEVM		-	20	35	%	-
8DPSK - Peak DEVM		-	20	25	%	-
DPSK - 99% DEVM		-	-	30	%	-
8DPSK - 99% DEVM		-	-	20	%	-
Differential phase encoding		99	100	-	%	-



Electrical Characteristics

Table 15. EDR - Transmitter Part (Continued)

Parameter	Symbol	Values			Unit	Note / Test Condition
		Min.	Typ.	Max.		
1st adjacent channel power		-	-40	-26	dBc	-
2nd adjacent channel power		-	-	-20	dBm	Carrier power measured at basic rate
3rd adjacent channel power		-	-	-40	dBm	Carrier power measured at basic rate

Table 16. EDR -Receiver Part

Parameter	Symbol	Values			Unit	Note / Test Condition
		Min.	Typ.	Max.		
DQPSK-Sensitivity		-	-88	-83	dBm	Ideal wanted signal
8DPSK-Sensitivity		-	-83	-77	dBm	Ideal wanted signal
DQPSK - BER Floor Sensitivity		-	-84	-60	dBm	-
8DPSK - BER Floor Sensitivity		-	-79	-60	dBm	-
DQPSK - C/I-performance: -4th adjacent channel		-	-53	-40	dB	-
DQPSK - C/I-performance: -3rd adjacent channel (1st adj. of image)		-	-47	-20	dB	-
DQPSK - C/I-performance: -2nd adjacent channel (image)		-	-31	-7	dB	-
DQPSK - C/I-performance: -1st adjacent channel		-	-7	0	dB	-
DQPSK - C/I-performance: co. channel		-	11	13	dB	-
DQPSK - C/I-performance: +1st adjacent channel		-	-9	0	dB	-
DQPSK - C/I-performance: +2nd adjacent channel		-	-44	-30	dB	-
DQPSK - C/I-performance: +3rd adjacent channel		-	-50	-40	dB	-
8DPSK - C/I-performance: -4th adjacent channel		-	-48	-33	dB	-
8DPSK - C/I-performance: -3rd adjacent channel (1st adj. of image)		-	-44	-13	dB	-
8DPSK - C/I-performance: -2nd adjacent channel (image)		-	-25	0	dB	-
8DPSK - C/I-performance: -1st adjacent channel		-	-5	5	dB	-
8DPSK - C/I-performance: co. channel		-	17	21	dB	-
8DPSK - C/I-performance: +1st adjacent channel		-	-5	5	dB	-
8DPSK - C/I-performance: +2nd adjacent channel		-	-36	-25	dB	-
8DPSK - C/I-performance: +3rd adjacent channel		-	-46	-33	dB	-
Maximum input level		-20	-	-	dBm	-

7.0 Package Information

7.1 Package Marking

Product ID
Date code
FCC ID

Version

Machine readable 2D bar code
Intel usage only , could be changed without any notice

Case PCB

Example of marking

P	B	A	3	1	3	0	9		V	1	.	0	0			
G	Y	Y	W	W		/	D		F	Y	W	W	9	E	X	X
F	C	C	I	D	:	Q	2	3	3	1	3	0	8			

Marking definition

- YYWW** - calendar Year (2digits) + calendar week (2digits) of production
- F** - lot code starts with F
- Y** - last digit of assembly year (201**3**)
- WW** - assembly week = calendar week + 1
- 9E** - final test ID+ assembly site ID
- XX** - unique lot sequential number 00-09,0A-0Z,10, ..., ZZ

Package_Marking.vsd

Figure 6. Package Marking ¹

1. Warning: Early engineering samples have been printed with the wrong FCCID (Q2331308) of the predecessor module.

7.2 Production Package

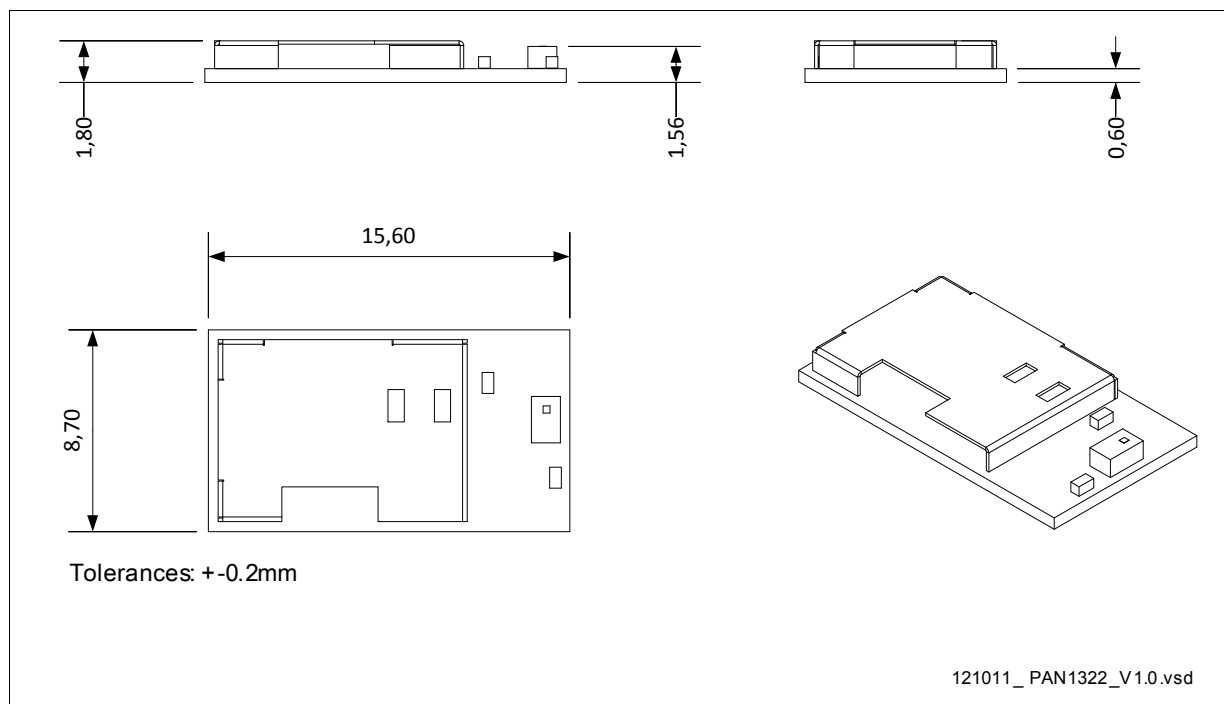


Figure 7. Production Package

All dimensions are in mm.

Tolerances on all outer dimensions, height, width and length, are +/- 0.2 mm.

7.2.1 Pin Mark

Pin 1 (A1) is marked on bottom footprint and on the top of the shield on the module according to Figure 8. Diameter of pin 1 mark on the shield is 0.40 mm.

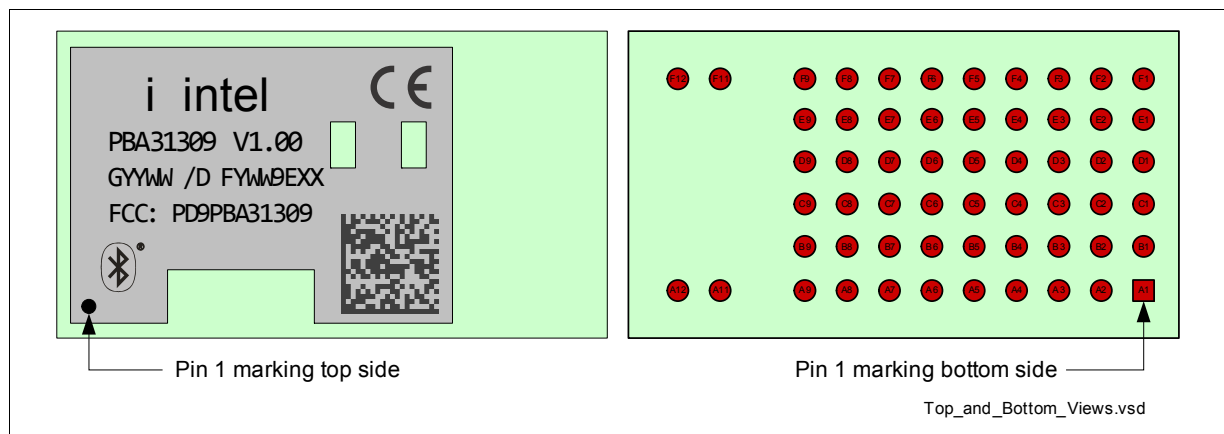
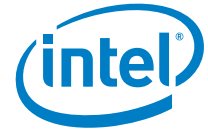


Figure 8. Top View and Bottom View



8.0 Bluetooth Qualification and Regulatory Certification

8.1 Reference Design

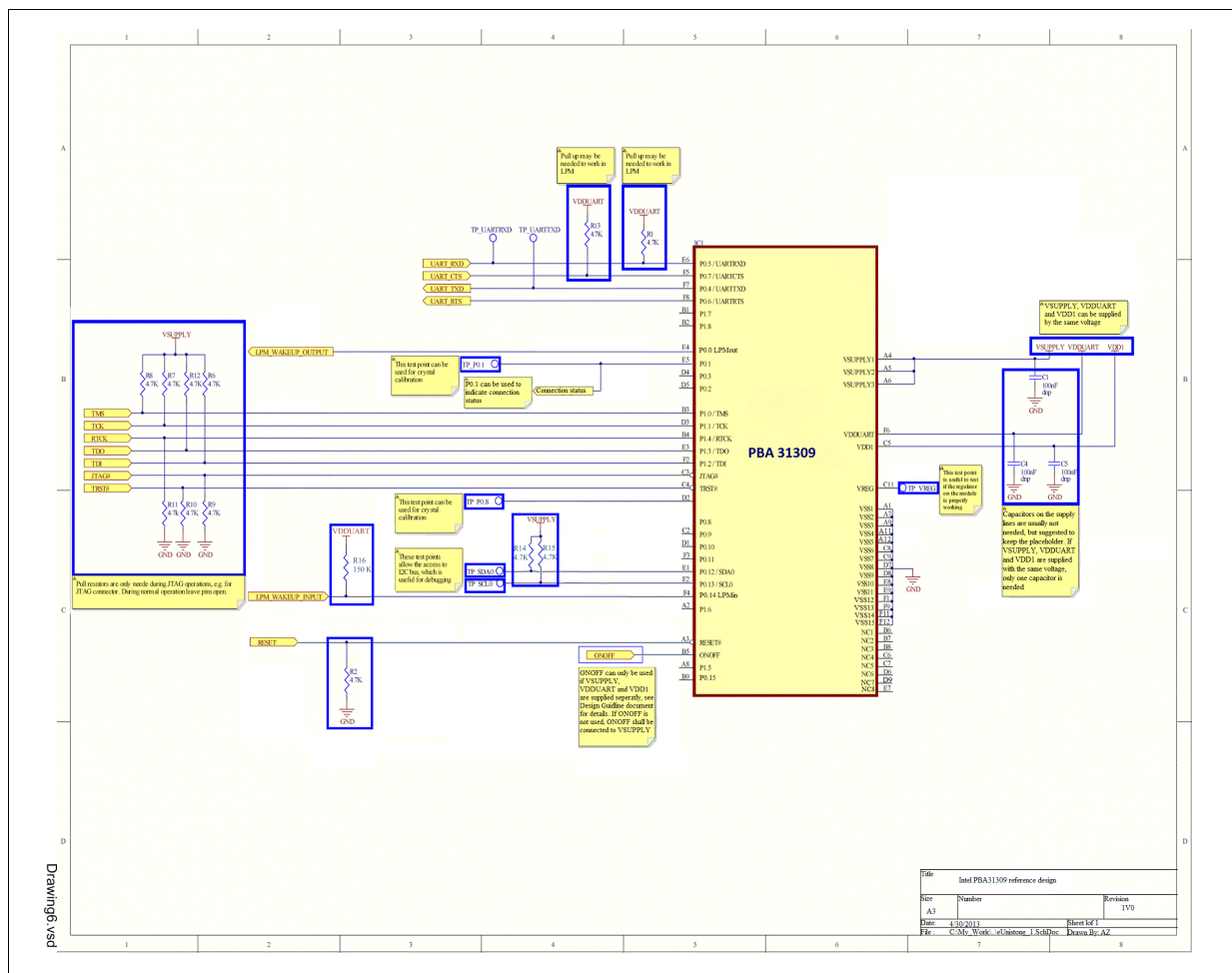


Figure 9. Reference Design Schematics

PBA 31309 is intended to be installed inside end user equipment. PBA 31309 is Bluetooth-qualified and also FCC-certified and conforms to R&TTE (European) requirements and directives with the reference design described in Figure 9.

Manufacturers of mobile, fixed or portable devices incorporating this device are advised to clarify any regulatory questions and to have their complete product tested and approved for compliance (FCC or other when applicable).



There are no parts in PBA 31309 that can be modified by the user except modifications of the device BD data and loading of SW patches. Any changes or modifications made to this device that are not expressly approved by Intel, may void the user's authority to operate the equipment.

8.2 FCC Class B Digital Devices Regulatory Notice

This equipment has been tested and found to comply with the limits for a Class B digital device, pursuant to Part 15 of the FCC Rules. These limits are designed to provide reasonable protection against harmful interference in a residential installation. This equipment generates, uses, and can radiate radio frequency energy and, if not installed and used in accordance with the instructions, may cause harmful interference to radio communications. However, there is no guarantee that interference will not occur in a particular installation. If this equipment does cause harmful interference to radio or television reception, which can be determined by turning the equipment off and on, the user is encouraged to try to correct the interference by 1 or more of the following measures:

- Reorient or relocate the antenna
- Increase the separation between the equipment and receiver
- Connect the equipment into an outlet on a circuit different from that to which the receiver is connected
- Consult the dealer or an experienced radio or television technician for help

8.3 FCC Wireless Notice

This product emits radio frequency energy, but the radiated output power of this device is far below the FCC radio frequency exposure limits. Nevertheless, the device should be used in such a manner that the potential for human contact with the antenna during normal operation is minimized.

To meet the FCC's RF exposure rules and regulations:

- The system antenna used for this transmitter must not be co-located or operating in conjunction with any other antenna or transmitter.
- The on-board antenna used must not be altered.
- Users and installers must be provided with antenna installation instructions and transmitter operating conditions for satisfying RF exposure compliance. See [Figure 10](#).

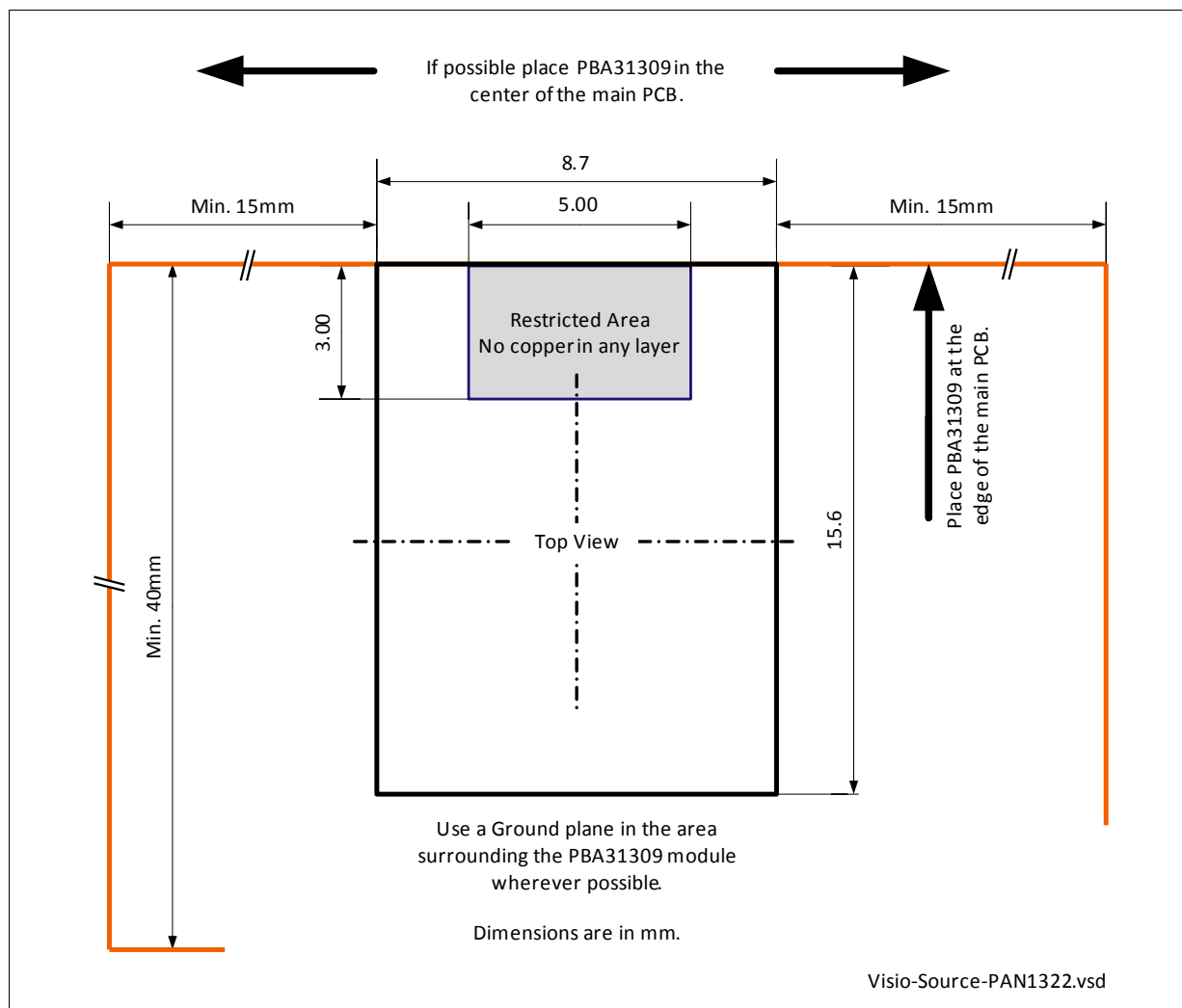


Figure 10. Cutout Drawing

Manufacturers of mobile, fixed or portable devices incorporating this module are advised to clarify any regulatory questions and to have their complete product tested and approved for FCC compliance.

8.4 FCC Interference Statement

This device complies with Part 15 of the FCC Rules. Operation is subject to the following two conditions:

- 1. This device may not cause harmful interference
- 2. This device must accept any interference received, including interference that may cause undesired operation.

8.5 FCC Identifier

FCC ID: PD9PBA31309 ¹

1. Warning: Early engineering samples have been printed with the wrong FCCID (Q2331308) of the predecessor module.



8.6 European R&TTE Declaration of Conformity

Hereby, Intel declares that the Bluetooth module PBA 31309 is compliant to R&TTE Directive 1999/5/EC with the protection requirements for Safety, EMC and RF Spectrum as specified in the following standards:

EN 60950-1:2006+A11:2009+A12:2011+A1:2010+AC:2011; EN 62311:2008;
EN 301 489-1 v1.9.2; EN 301 489-17 v2.2.1; EN 300 328 v1.8.1.

As a result of the conformity assessment procedure described in Annex III of the Directive 1999/5/EC, the end-customer equipment should be labelled as follows:

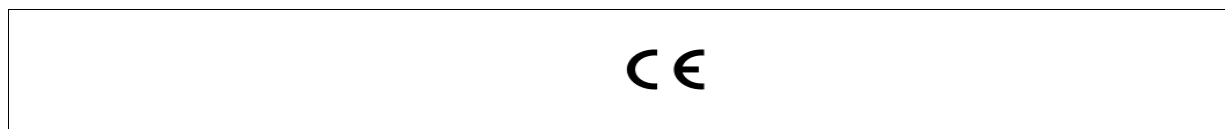


Figure 11. Equipment Label

eUniStone in the specified reference design can be used in the following countries:

Austria, Belgium, Bosnia-Herzegovina, Bulgaria, Croatia, Czech Rep, Cyprus, Denmark, Estonia, Finland, France, Germany, Greece, Hungary, Iceland, Ireland, Italy, Latvia, Liechtenstein, Lithuania, Luxemburg, Macedonia, Malta, Montenegro, Netherlands, Norway, Poland, Portugal, Romania, Slovakia, Slovenia, Spain, Sweden, Switzerland, UK

8.7 Bluetooth Qualified Design ID

Intel has submitted an End Product Listings (EPL) for eUniStone PBA31309 in the Qualified Product List of the Bluetooth SIG. This EPL is referencing the Bluetooth qualification of the SPP-AT application running on the eBMU chip PMB8754 under QD ID B021246.

Manufacturers of Bluetooth devices incorporating eUniStone or eBMU can reference the same QD ID number.

Bluetooth QD ID: B021246

8.8 Label Design of the Host Product

It is recommended to include the following information on the host product label:

Contains transmitter Module FCC ID: PD9PBA31309.

8.9 Regulatory Test House

The test house used by Intel in the Bluetooth and Regulatory approvals for the module PBA 31309:

AT4wireless
Parque Tecnologico de Andalucia
c/ Severo Ochoa 2
E-29590 - Malaga
SPAIN
Tel: (34) 95 261 91 00
Fax: (34) 95 261 91 13
www.at4wireless.com

TÜV Rheinland Nederland
Eiberkamp 10
9351 VT Leek
The Netherlands
Phone +31 (0)594 505005
Fax +31 (0)594 504804



8.10 Declaration of Conformity to European Standards

Declaration of Conformity (1999/5/EC)

We, **INTEL MOBILE COMMUNICATIONS SAS**
Address: Le Navigator Bat B, 505 Route des Lucioles
06905 – Sophia Antipolis, France

declare under our sole responsibility that the product:

- Name: **Intel® eUnistone PBA31309**
- Model: **PBA31309**

to which this declaration relates, is in compliance with all the applicable essential requirements, and other provisions of the European Council Directive:

1999/5/EC	Radio and Telecommunications Terminal Equipment Directive (R&TTE)
-----------	---

The conformity assessment procedure used for this declaration is Annex III of this Directive

This product will bear the CE Mark label CE

Product compliance has been demonstrated on the basis of:

<ul style="list-style-type: none">- EN 60950-1- EN 62311	For article 3.1(a) : Health and Safety of the User
<ul style="list-style-type: none">- EN 301 489-1- EN 301 489-17	For article 3.1(b) : Electromagnetic Compatibility
<ul style="list-style-type: none">- EN 300 328	For article 3.2 : Effective use of the spectrum allocated

The technical construction file is kept available at:

INTEL MOBILE COMMUNICATIONS SAS
Branch Office: Le Navigator Bat B
505 Route des Lucioles,
06560 – Sophia-Antipolis, France

Authorized Signature by Date: 6th September 2013

Gilles Catala,
Regulatory Engineering Manager
Intel Mobile Communications SAS

Intel Mobile Communications SAS
Le Navigator B
505 route des Lucioles
CS 70293
06905 Sophia Antipolis cedex
France
Tel. +33 (0)4 93 00 14 00
Fax +33 (0)4 93 00 14 01

Figure 12. Declaration of Conformity

9.0 Assembly Guidelines

The target of this chapter is to provide guidelines for customers to successfully introduce the eUniStone module in production. This includes general description, PCB-design, solder printing process, assembly, soldering process, rework and inspection.

9.1 General Description of the Module

eUniStone is a Land Grid Array (LGA 6x12) module made for surface mounting. The pad diameter is 0.6 mm and the pitch 1.2 mm.

All solder joints on the module will reflow during soldering on the mother board. All components and shield will stay in place due to wetting force. Wave soldering is not possible.

Surface treatment on the module pads is Nickel (5-8 μm)/Gold (0.04 - 0.10 μm).

Figure 13 shows the pad layout on the module, seen from the component side.

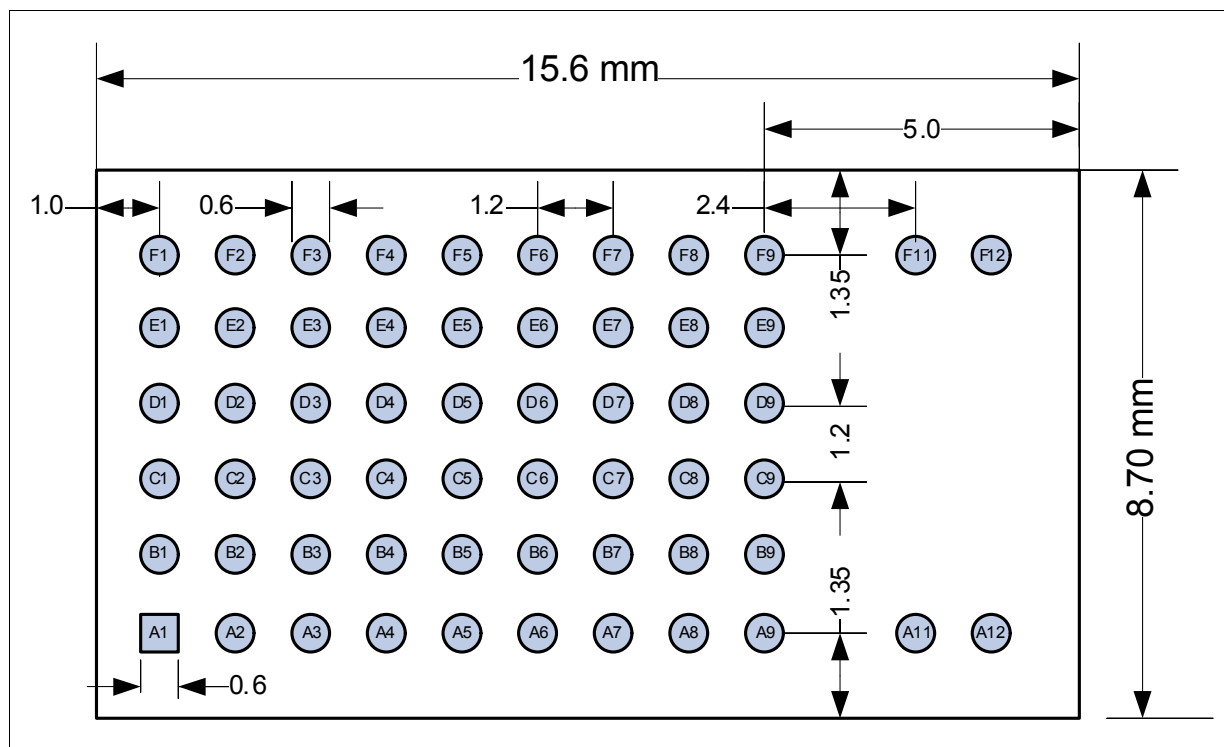


Figure 13. Pad Layout on the Module (top view)

9.2 Printed Circuit Board Design

The land pattern on the PCB shall be according to the land pattern on the module, which means that the diameter of the LGA pads on the PCB shall be 0.6 mm. It is recommended that each pad on the PCB shall be surrounded by a solder mask clearance of about 75 μm to avoid overlapping solder mask and pad.

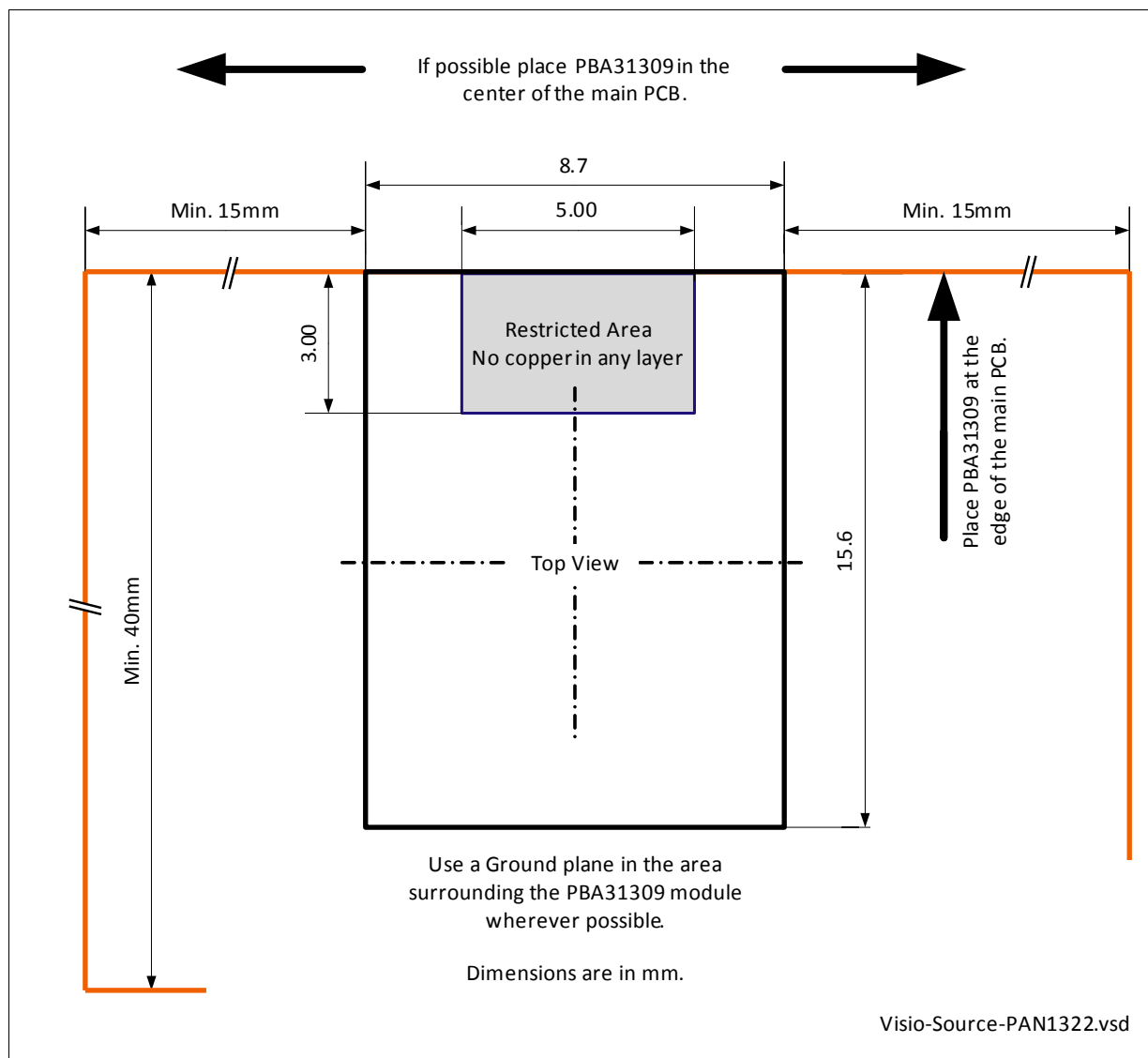


Figure 14. Cutout Drawing

In order to preserve the characteristics of the embedded antenna, a cutout must be respected under the antenna through all metal layers of the PCB, as shown in drawing Figure 14.

Placing the module inside a metal housing or close to metal parts like fasteners, shielding cages, washers, etc. can significantly affect the antenna characteristics.



9.3 Solder Paste Printing

The solder paste deposited on the PCB by stencil printing has to be of eutectic or near eutectic tin leadfree / lead composition. A no-clean solder paste is preferred, since cleaning of the solder joints is difficult because of the small gap between the module and the PCB.

Preferred thickness of the solder paste stencil is 100 - 127 µmm (4 - 5 mils). The apertures on the solder paste stencil shall be of the same size as the pads, 0.6 mm.

9.4 Assembly

9.4.1 Component Placement

In order to assure a high yield, good placement on the PCB is necessary. As a rule of thumb the tolerable misplacement is 150 µmm. This means that the eUniStone module can be assembled with a variety of placement systems.

It is recommended to use a vision system capable of package pad recognition and alignment that evaluates the pad locations on the package (in contrast to outline centring). This eliminates the pad to package edge tolerance.

The recommendation is to pick and place the module with a nozzle in the centre of the shield. The nozzle diameter shall not be bigger than 4 mm.

9.4.2 Pin Mark

Pin 1 (A1) is marked on bottom footprint and on the top of the shield on the module according to Figure 15. Diameter of pin 1 mark on the shield is 0.40 mm.

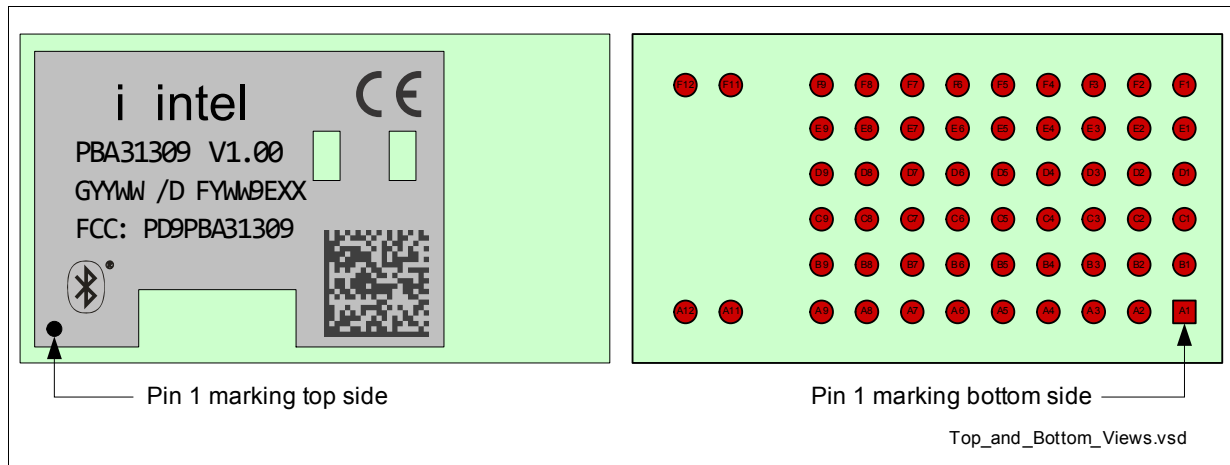


Figure 15. Pin Marking

9.4.3 Package

eUniStone is packed in tape on reel according to Figure 16.

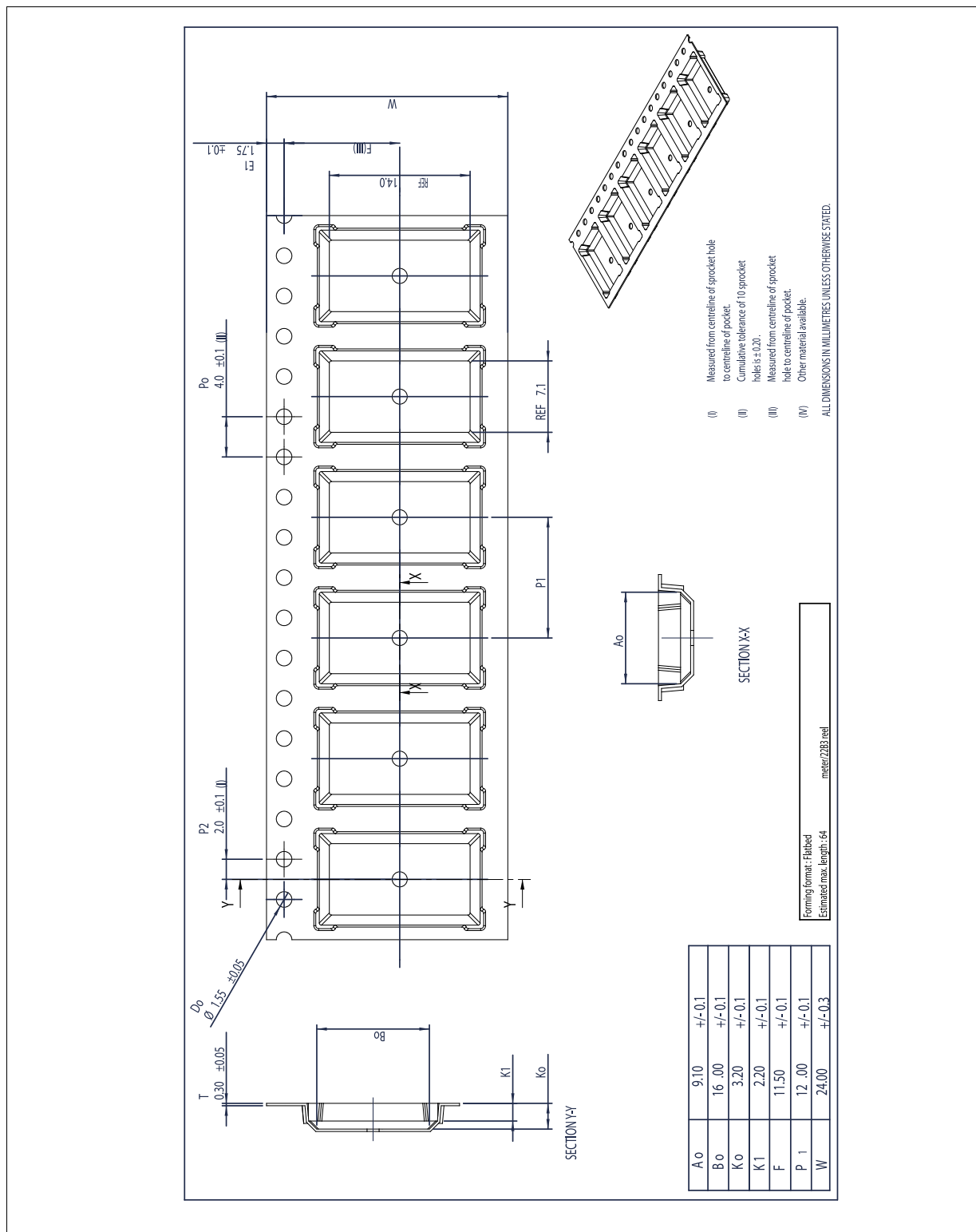


Figure 16. Tape on Reel



9.5 Soldering Profile

Generally all standard reflow soldering processes (vapour phase, convection, infrared) and typical temperature profiles used for surface mount devices are suitable for the eUniStone module. **Wave soldering is not possible.**

Figure 17 and Figure 18 shows example of a suitable solder reflow profile. One for leaded and one for leadfree solder.

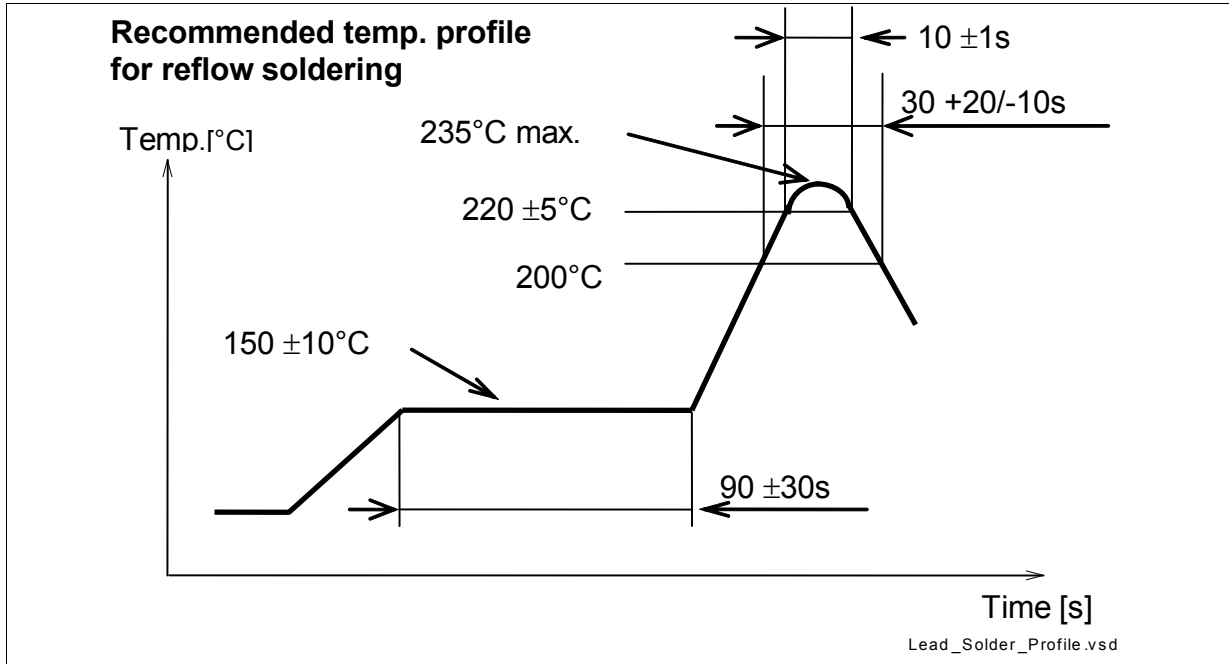


Figure 17. Eutectic Lead-Solder Profile

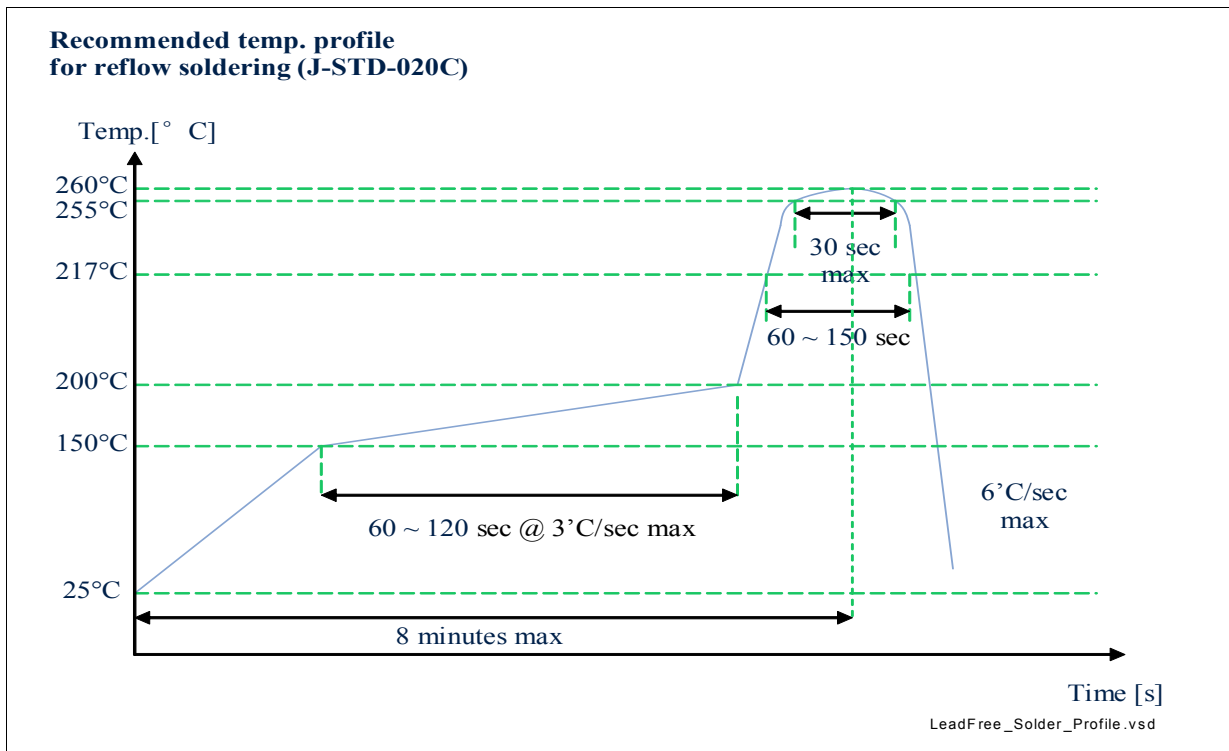


Figure 18. Eutectic Leadfree-Solder Profile



At the reflow process each solder joint has to be exposed to temperatures above solder liquids for a sufficient time to get the optimum solder joint quality, whereas overheating the board with its components has to be avoided. Using infrared ovens without convection special care may be necessary to assure a sufficiently homogeneous temperature profile for all solder joints on the PCB (especially on large, complex boards with different thermal masses of the components). The most recommended types are therefore forced convection or vapour phase reflow. Nitrogen atmosphere can generally improve solder joint quality, but is normally not necessary.

The reflow profiles and other reflow parameters are dependent on the used solder paste. The paste manufacturer provides a reflow profile recommendation for this product.

Additionally it is important not to overheat the eUniStone module by a too large reflow peak temperature. eUniStone contain several plastic packages and is there by sensitive of the moisture content level at the time of board assembly.

Overheating in combination with excessive moisture content could result in package delaminations or cracks (popcorn effect). The heating rate should not exceed 3°C/s and max sloping rate should not exceed 4°C/s.

eUniStone shall be handled according to MSL3, which means a floor life of 168 h in 30°C/60% r.h.

The eUniStone module can be soldered according to max. J-STD-020C curve, assuming that all other conditions are followed stated in Product Specification, Qualification Report and in Application Note. Restriction is that PBA 31309 can be soldered two times, since one time is already consumed when soldering devices on Module.

9.6 Rework

9.6.1 Removal Procedure

1. Heat the module with an appropriate heating nozzle according to the instruction of the equipment or on a hot plate (about 225°C dependent on the board). Hot plate can only be used if the board is single side assembled. The temperature of the module shall be 200-220°C.
2. Use grippers or a pair of tweezers to remove the module. The module has to be gripped on two opposite edges of the module (not on the shield).
3. Remove excess solder by using solder sucker, suction soldering irons or solder wick.

9.6.2 Replacement Procedure

Replacement can be done in two ways, dependent of how the solder is applied. Solder can be applied either by dispensing on the mother board or by printing the solder paste directly on the module.

9.6.2.1 Alternative 1: Dispensing Solder

A dispenser with controlled volume must be used to assure the same volume on every pad. The volume on each pad shall be about 0.04 mm³.

1. Dispense 0.04 mm³ on each LGA pad
2. Pick the module by a nozzle and place in the right position on the board
3. Reflow the solder.

9.6.2.2 Alternative 2: Printing Solder

To print solder on the module a fixture must be used. The purpose of the fixture is to get a flat surface and fix the stencil and module for printing. An example of how this fixture can be designed is shown in Figure 19.

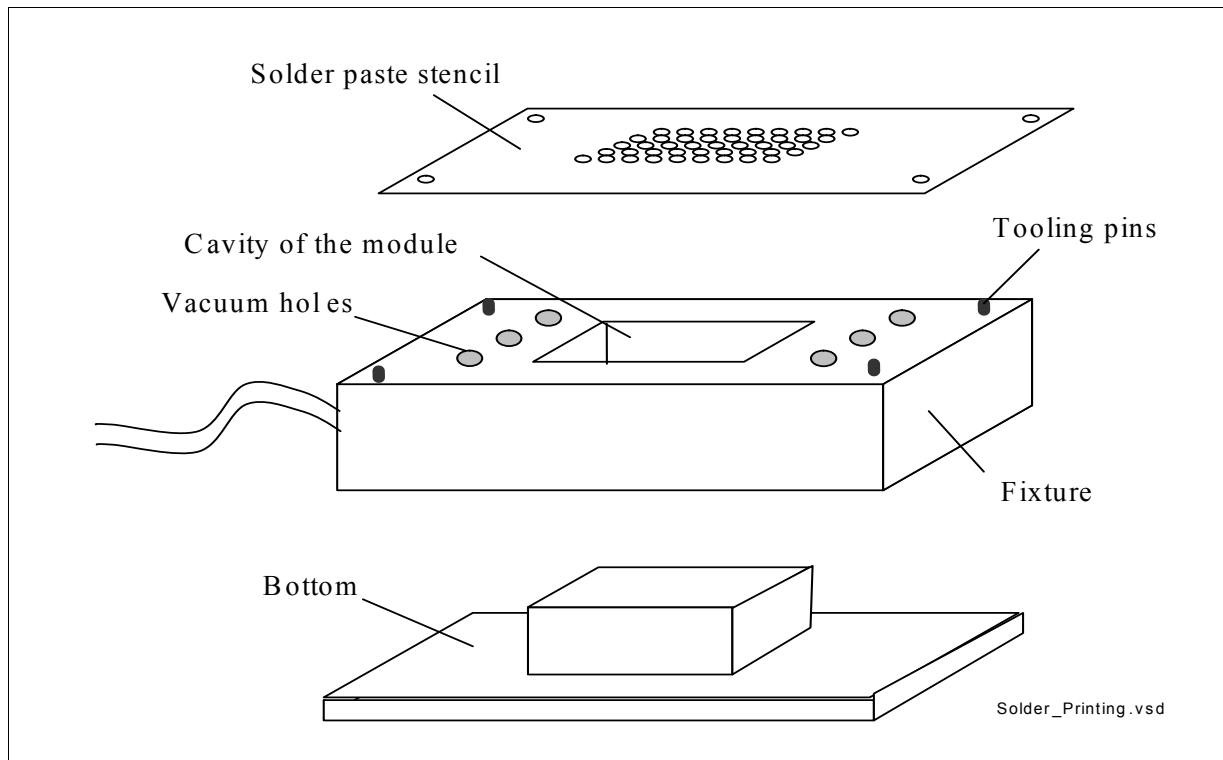


Figure 19. Solder Printing

1. Assemble the fixture to the bottom
2. Place the module in the cavity with the LGA pads upwards
3. Place the solder paste stencil on the fixture and make sure it fits to the tooling pins and the module
4. Apply vacuum to fix the solder paste stencil
5. Apply solder paste on the stencil and print by using a blade
6. Turn everything (bottom, fixture and stencil) upside down.
7. Separate carefully the bottom from the fixture
8. Pick the module by a nozzle and place in the right position on the board
9. Reflow the solder.

9.7 Inspection

Automatic inspection of the solder paste printing before assembly is highly recommended to ensure high yield and good long term reliability.



9.8 Component Salvage

If it is intended to send a defect eUniStone module back to the supplier for failure analysis, please note that during the removal of this component no further defects must be introduced to the device, because this may hinder the failure analysis at the supplier. This includes ESD precautions, not to apply high mechanical force for component removal, and to prevent excess moisture content in the package during salvage (risk of pop corning failures). Therefore if the maximum storage time out of the dry pack (see label on packing material) is exceeded after board assembly, the PCB has to be dried 24h at 125°C before soldering off the defect component, because otherwise too much moisture may have been accumulated.

9.9 Voids in the Solder Joints

9.9.1 Expected Void Content and Reliability

The content of voids is larger on LGA modules than for modules with BGA or leads. At a LGA solder joint the outgassing flux has a longer way to the surface of the solder and it has a relatively small surface to the air.

The void content of the eUniStone module conforms to IPC-A-610D (25% or less voiding area/area).

Figure 20 shows an example of void-content at a module assembled at production site. Normally you can see the whole spectra of void content variation within the same lot and occasion of assembly.

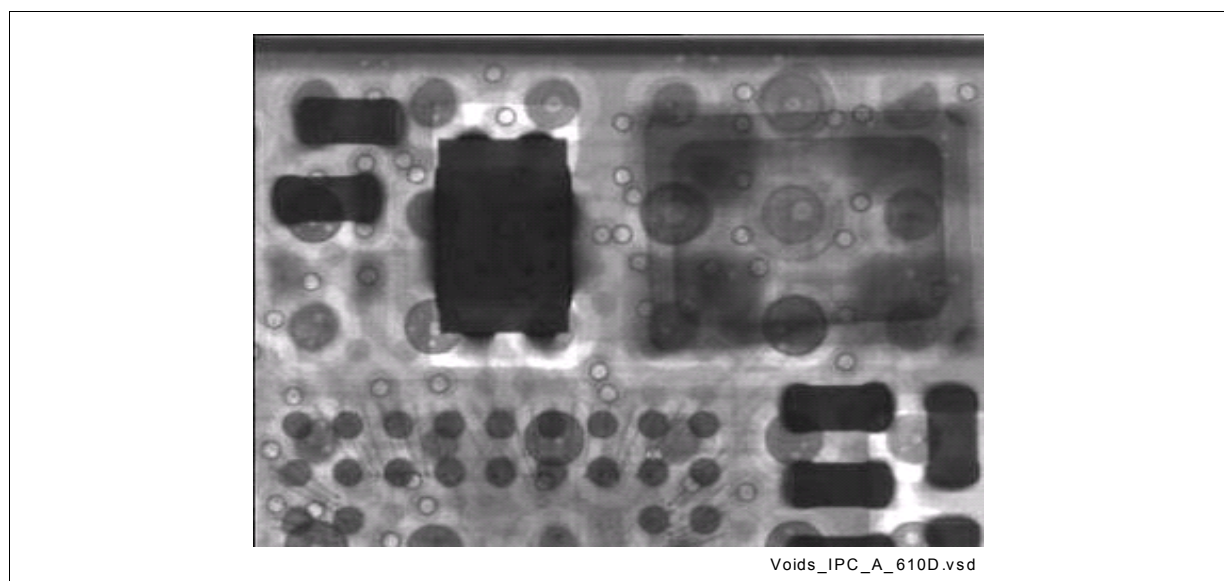


Figure 20. X-ray Picture Showing Voids Conforming to IPC-A-610D



9.9.2 Parameters with an Impact on Voiding

If the void content has to be reduced following parameters have an impact.

Solderability on module and PCB

Bad solderability is often connected to oxidation and has therefore a major impact on voiding. Flux will get entrapped on oxidized surfaces. In general, Ni/Au pads show fewer voids than HASL and OSP.

Solder paste

Higher activity of the flux will remove oxide rapidly and less flux will get entrapped.

Voiding increases with increasing solder paste exposure time, since long exposure time will result in more oxidation and moisture pickup.

Pad size

A large soldering pad means that the outgassing flux has a longer way to the surface of the solder, and will thereby create more voids.

Solder paste

Smaller powder size and higher metal load means more metal surface to deoxidize and thereby more entrapped flux and voiding. Higher metal load does also mean higher viscosity and more difficult for outgassed flux to remove from the solder.

Stencil thickness

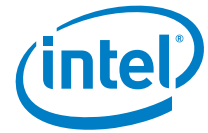
A thick solder paste stencil means more surface area to the air and thereby easier for the outgassing flux to leave the solder.

Temperature soldering profile

Too short preheat time means that the flux does not get enough time to react and flux get entrapped in the solder and create voids.

Too long reflow time gives larger voids

Too short reflow time gives a fraction of voids

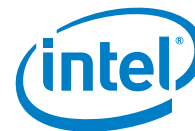


References

- [1] Intel AT Command Specification
(eUniStone_1.00_UM_SD.pdf)
- [2] Release Notes for SPP AT application SW version 1.1
(eUniStone_1.00_SW_3.1_RN.pdf)
- [3] eUniStone PBA31309 v1.00 - Design Guide
(eUniStone_V1.00_AN_DesignGuide_Rev1.1.pdf)

Terminology

A	
ACK	Acknowledgement
ACL	Asynchronous Connection-oriented (logical transport)
AFH	Adaptive Frequency Hopping
AHS	Adaptive Hop Sequence
ARQ	Automatic Repeat reQuest
B	
b	bit/bits (e.g. kb/s)
B	Byte/Bytes (e.g. kB/s)
BALUN	BALanced UNbalanced
BD_ADDR	Bluetooth Device Address
BER	Bit Error Rate
BMU	BlueMoon Universal
BOM	Bill Of Material
BT	Bluetooth
BW	Bandwidth
C	
CDCT	Clock Drift Compensation Task
CMOS	Complementary Metal Oxide Semiconductor
COD	Class Of Device
CODEC	COder/DECoder
CPU	Central Processing Unit
CQDDR	Channel Quality Driven Data Rate
CRC	Cyclic Redundancy Check
CTS	Clear To Send (UART flow control signal)
CVSD	Continuous Variable Slope Delta (modulation)
D	
DC	Direct Current
DDC	Device Data Control
DM	Data Medium-Rate (packet type)
DMA	Direct Memory Access
DH	Data High-Rate (packet type)
DPSK	Differential Phase Shift Keying (modulation)
DQPSK	Differential Quaternary Phase Shift Keying (modulation)
DSP	Digital Signal Processor
DUT	Device Under Test
E	
EDR	Enhanced Data Rate
EEPROM	Electrically Erasable Programmable Read Only Memory
eSCO	Extended Synchronous Connection-Oriented (logical transport)
EV	Extended Voice (packet type)
F	
FEC	Forward Error Correction



FHS	Frequency Hop Synchronization (packet)
FIFO	First In First Out (buffer)
FM	Frequency Modulation
FW	Firmware
G	
GFSK	Gaussian Frequency Shift Keying (modulation)
GPIO	General Purpose Input/Output
GSM	Global System for Mobile communication
H	
HCI	Host Controller Interface
HCI+	Intel Specific HCI command set
HEC	Header Error Check
HV	High quality Voice (packet type)
HW	Hardware
I	
I2C	Inter-IC Control (bus)
I2S	Inter-IC Sound (bus)
IAC	Inquiry Access Code
ID	IDentifier
IEEE	Institute of Electrical and Electronics Engineers
IF	Intermediate Frequency
ISM	Industrial Scientific & Medical (frequency band)
J	
JTAG	Joint Test Action Group
L	
LAN	Local Area Network
LAP	Lower Address Part
LM	Link Manager
LMP	Link Manager Protocol
LNA	Low Noise Amplifier
LO	Local Oscillator
LPM	Low Power Mode(s)
LPO	Low Power Oscillator
LSB	Least Significant Bit/Byte
LT_ADDR	Logical Transport Address
M	
MSB	Most Significant Bit/Byte
MSRS	Master-Slave Role Switch
N	
NC	No Connection
NOP	No OPeration
NVM	Non-Volatile Memory
O	
OCF	Opcode Command Field
OGF	Opcode Group Field
P	
PA	Power Amplifier
PCB	Printed Circuit Board
PCM	Pulse Coded Modulation
PDU	Protocol Data Unit
PER	Packet Error Rate
PIN	Personal Identification Number



PLC	Packet Loss Concealment
PLL	Phase Locked Loop
PMU	Power Management Unit
POR	Power-On Reset
PTA	Packet Traffic Arbitration
PTT	Packet Type Table
Q	
QoS	Quality Of Service
R	
RAM	Random Access Memory
RF	Radio Frequency
ROM	Read Only Memory
RSSI	Received Signal Strength Indication
RTS	Request To Send (UART flow control signal)
RX	Receive
RXD	Receive Data (UART signal)
S	
SCO	Synchronous Connection-Oriented (logical transport)
SIG	Special Interest Group (Bluetooth SIG)
SW	Software
SYRI	Synthesizer Reference Input
T	
TBD	To Be Determined
TCK	Test Clock (JTAG signal)
TDI	Test Data In (JTAG signal)
TDO	Test Data Out (JTAG signal)
TL	Transport Layer
TMS	Test Mode Select (JTAG signal)
TX	Transmit
TXD	Transmit Data (UART signal)
U	
UART	Universal Asynchronous Receiver & Transmitter
ULPM	Ultra Low Power Mode
V	
VCO	Voltage Controlled Oscillator
W	
WLAN	Wireless LAN (Local Area Network)

X-ON Electronics

Largest Supplier of Electrical and Electronic Components

Click to view similar products for [Bluetooth Modules - 802.15.1 category](#):

Click to view products by [Intel manufacturer](#):

Other Similar products are found below :

[A2541R24A10GM](#) [CYBLE-212023-10](#) [BM78SPP05MC2-0002AA](#) [CYW20732S](#) [968EMB0019](#) [E73-2G4M08S1CX](#) [TB-03F](#) [TB-03F-AT_Mesh](#) [TB-04](#) [TB-04--AT_Mesh](#) [BT3L\(jibu\)](#) [BT5S\(xoft\)](#) [BT5S\(4k43\)](#) [BT5S\(jcyv\)](#) [1327](#) [RN42HID-I/RM](#) [ENW-89829C3KF](#) [BLE113-A-V1](#) [BM70BLE01FC2-0B03AA](#) [ACN52832](#) [A2541E24A10GM](#) [RN42-I/RM630](#) [450-0168R](#) [MOTG-BLUETOOTH](#) [ABBTM-2.4GHz-52-T](#) [ABBTM-2.4GHz-T](#) [ABBTM-2.4GHz-T2](#) [4076](#) [AFERO-BL24-01](#) [BLED112](#) [BM62SPKS1MC2-0001AA](#) [BM78SPPS5MC2-0002AA](#) [PX0880/1](#) [DAT12](#) [BT680F](#) [PBA31309V1.00](#) [S LK64](#) [ATSAMB11-MR510CA](#) [BM20SPKA1NBC-0001AA](#) [BM20SPKS1NBC-0001AA](#) [BM23SPKS1NB9-0B02AA](#) [BM64SPKS1MC2-0002AA](#) [BM70BLE01FC2-0B04AA](#) [BM70BLE01FC2-0B05BA](#) [BM77SPP03MC2-0007AA](#) [BM77SPP03MC2-0008AA](#) [BM78SPP05NC2-0001AA](#) [BM78SPPS5NC2-0002AA](#) [BM83SM1-00TA](#) [DM164146](#) [RN42-I/RM615](#)