

U308, U309 N-Channel JFET

Features

- InterFET [N0072L Geometry](#)
- Low Noise: 2 nV/VHz Typical
- Low Ciss: 4pF Typical
- RoHS Compliant
- SMT, TH, and Bare Die Package options.

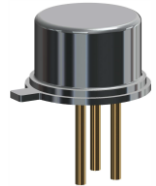
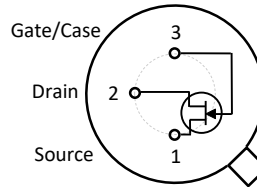
Applications

- Mixers
- Oscillators
- VHF/UHF Amplifiers

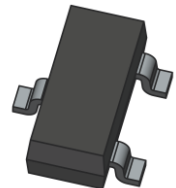
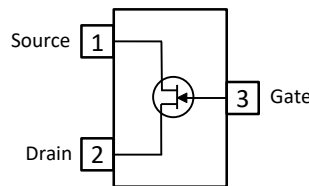
Description

The -25V InterFET U308 and U309 are targeted for higher gain VHF amplifiers, mixers, and oscillators. Gate leakages are typically less than 10pA at room temperatures.

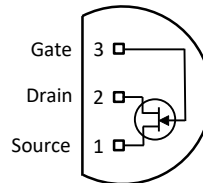
TO-52 Bottom View



SOT23 Top View



TO-92 Bottom View



Product Summary

Parameters		U308 Min	U309 Min	Unit
BV _{GSS}	Gate to Source Breakdown Voltage	-25	-25	V
I _{DSS}	Drain to Source Saturation Current	12	12	mA
V _{GS(off)}	Gate to Source Cutoff Voltage	-1	-1	V
G _{FS}	Forward Transconductance	10	10	mS

Ordering Information Custom Part and Binning Options Available

Part Number	Description	Case	Packaging
U308; U309	Through-Hole	TO-52	Bulk
PNU308; PNU309	Through-Hole	TO-92	Bulk
SMPU308; SMPU309	Surface Mount	SOT23	Bulk
SMPU308TR; SMPU309TR	7" Tape and Reel: Max 3,000 Pieces 13" Tape and Reel: Max 9,000 Pieces	SOT23	Minimum 1,000 Pieces Tape and Reel
U308COT; U309COT	Chip Orientated Tray (COT Waffle Pack)	COT	400/Waffle Pack
U308CFT; U309CFT	Chip Face-up Tray (CFT Waffle Pack)	CFT	400/Waffle Pack



Disclaimer: It is the Buyers responsibility for designing, validating and testing the end application under all field use cases and extreme use conditions. Guaranteeing the application meets required standards, regulatory compliance, and all safety and security requirements is the responsibility of the Buyer. These resources are subject to change without notice.

Electrical Characteristics

Maximum Ratings (@ $T_A = 25^\circ\text{C}$, Unless otherwise specified)

Parameters	Value	Unit
V_{RGS} Reverse Gate Source and Gate Drain Voltage	-25	V
I_{FG} Continuous Forward Gate Current	20	mA
P_D Continuous Device Power Dissipation	500	mW
P Power Derating	4	mW/ $^\circ\text{C}$
T_J Operating Junction Temperature	-55 to 125	$^\circ\text{C}$
T_{STG} Storage Temperature	-65 to 200	$^\circ\text{C}$

Static Characteristics (@ $T_A = 25^\circ\text{C}$, Unless otherwise specified)

Parameters	Conditions	U308			U309			Unit
		Min	Typ	Max	Min	Typ	Max	
$V_{(BR)GSS}$ Gate to Source Breakdown Voltage	$V_{DS} = 0V, I_G = -1\mu\text{A}$	-25			-25			V
I_{GSS} Gate to Source Reverse Current	$V_{GS} = -15V, V_{DS} = 0V, T_A = 25^\circ\text{C}$ $V_{GS} = -15V, V_{DS} = 0V, T_A = 125^\circ\text{C}$			-150 -150			-150 -150	pA nA
$V_{GS(OFF)}$ Gate to Source Cutoff Voltage	$V_{DS} = 10V, I_D = 1\text{nA}$	-1		-6	-1		-4	V
$V_{GS(F)}$ Gate to Source Forward Voltage	$V_{DS} = 0V, I_G = 10\text{mA}$			1			1	V
I_{DSS} Drain to Source Saturation Current	$V_{GS} = 0V, V_{DS} = 15V$ (Pulsed)	12		60	12		30	mA

Dynamic Characteristics (@ $T_A = 25^\circ\text{C}$, Unless otherwise specified)

Parameters	Conditions	U308			U309			Unit
		Min	Typ	Max	Min	Typ	Max	
G_{FS} Forward Transconductance	$V_{DS} = 10V, I_D = 10\text{mA}, f = 1\text{kHz}$	10	17		10	17		mS
	$V_{DS} = 10V, I_D = 10\text{mA}, f = 105\text{MHz}$		15			15		
	$V_{DS} = 10V, I_D = 10\text{mA}, f = 450\text{MHz}$		14			14		
G_{OS} Output Conductance	$V_{DS} = 10V, I_D = 10\text{mA}, f = 1\text{kHz}$			250			250	μS
	$V_{DS} = 10V, I_D = 10\text{mA}, f = 105\text{MHz}$		0.18			0.18		
	$V_{DS} = 10V, I_D = 10\text{mA}, f = 450\text{MHz}$		0.32			0.32		
G_{PS} Power Gain	$V_{DS} = 10V, I_D = 10\text{mA}, f = 105\text{MHz}$	14	16		14	16		dB
	$V_{DS} = 10V, I_D = 10\text{mA}, f = 450\text{MHz}$	10	11		10	11		
C_{dg} Drain Gate Capacitance	$V_{DS} = 10V, V_{GS} = -10V, f = 1\text{MHz}$			2.5			2.5	pF
C_{gs} Source Gate Capacitance	$V_{DS} = 10V, V_{GS} = -10V, f = 1\text{MHz}$			5			5	pF
e_n Noise Voltage	$V_{DS} = 10V, I_D = 10\text{mA}, f = 100\text{kHz}$			10			10	nV/ $\sqrt{\text{Hz}}$
NF Noise Figure	$V_{DS} = 10V, I_D = 10\text{mA}, f = 105\text{MHz}$		1.5	2		1.5	2	dB
	$V_{DS} = 10V, I_D = 10\text{mA}, f = 450\text{MHz}$		2.7	3.5		2.7	3.5	

SOT23 (TO-236AB) Mechanical and Layout Data

Package Outline Data



1. All linear dimensions are in millimeters.
2. Package weight approximately 0.12 grams
3. Molded plastic case UL 94V-0 rated
4. For Tape and Reel specifications refer to InterFET CTC-021 Tape and Reel Specification, Document number: IF39002
5. Bulk product is shipped in standard ESD shipping material
6. Refer to JEDEC standards for additional information.

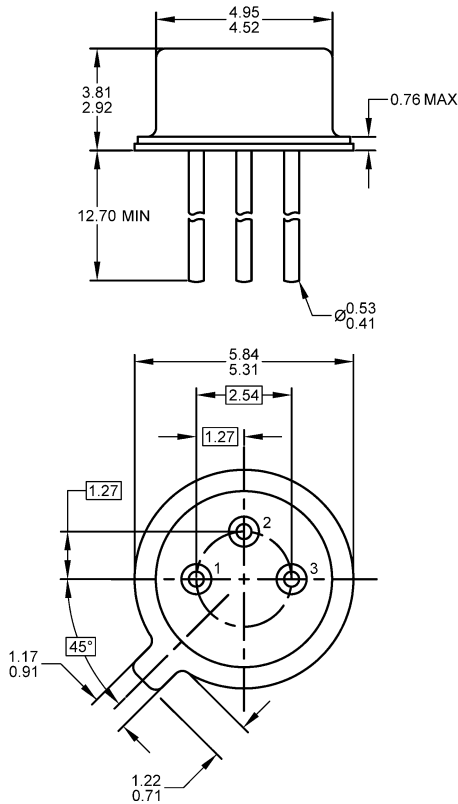
Suggested Pad Layout



1. All linear dimensions are in millimeters.
2. The suggested land pattern dimensions have been provided for reference only. A more robust pattern may be desired for wave soldering.

TO-52 Mechanical and Layout Data

Package Outline Data



1. All linear dimensions are in millimeters.
2. Package weight approximately 0.26 grams
3. Bulk product is shipped in standard ESD shipping material
4. Refer to JEDEC standards for additional information.

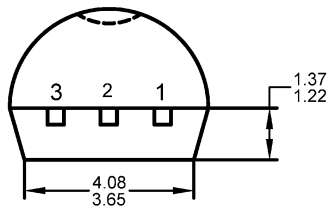
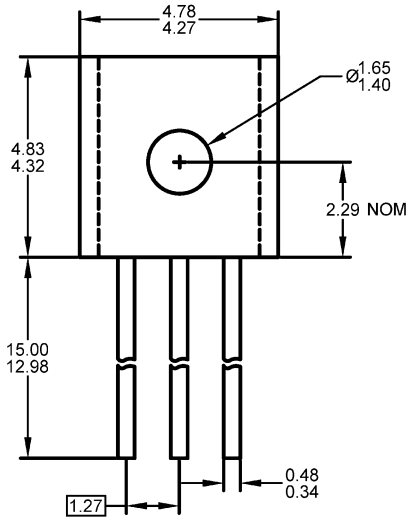
Suggested Through-Hole Layout



1. All linear dimensions are in millimeters.
2. The suggested land pattern dimensions have been provided as a straight lead reference only. A more robust pattern may be desired for wave soldering and/or bent lead configurations.

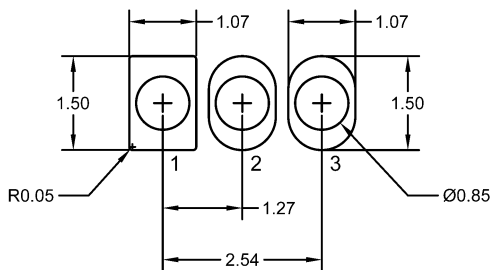
TO-92 Mechanical and Layout Data

Package Outline Data



1. All linear dimensions are in millimeters.
2. Package weight approximately 0.19 grams
3. Molded plastic case UL 94V-0 rated
4. Bulk product is shipped in standard ESD shipping material
5. Refer to JEDEC standards for additional information.

Suggested Through-Hole Layout



1. All linear dimensions are in millimeters.
2. The suggested land pattern dimensions have been provided as a straight lead reference only. A more robust pattern may be desired for wave soldering and/or bent lead configurations.

X-ON Electronics

Largest Supplier of Electrical and Electronic Components

Click to view similar products for [JFET](#) category:

Click to view products by [InterFET](#) manufacturer:

Other Similar products are found below :

[MCH3914-8-TL-H](#) [F5606](#) [2SK2394-6-TB-E](#) [CPH5901G-TL-E](#) [MCH3914-7-TL-H](#) [MCH5908H-TL-E](#) [CPH5902G-TL-E](#) [CPH5905G-TL-E](#)
[CPH5905H-TL-E](#) [2SK2394-7-TB-E](#) [NSVJ2394SA3T1G](#) [2N3819](#) [PN4393](#) [MMBFJ176](#) [2N4393](#) [U311](#) [2N5397](#) [2SK208-GR\(TE85L,F\)](#)
[MMBF4393LT1G](#) [J176_D74Z](#) [IF4500](#) [SMP4338](#) [SMP147](#) [SMP5116](#) [SMPJ232](#) [SMPJ310](#) [SMPJ109](#) [SMP4856](#) [IF1330](#) [SMPJ201](#)
[SMP4340](#) [SMP5484](#) [IFN5566](#) [2N2609](#) [2N3821](#) [2N3970](#) [2N3971](#) [2N3972](#) [2N4091](#) [2N4092](#) [2N4093](#) [2N4118](#) [2N4118A](#) [2N4221](#) [2N4221A](#)
[2N4338](#) [2N4339](#) [2N4416](#) [2N4416A](#) [2N4856](#)