

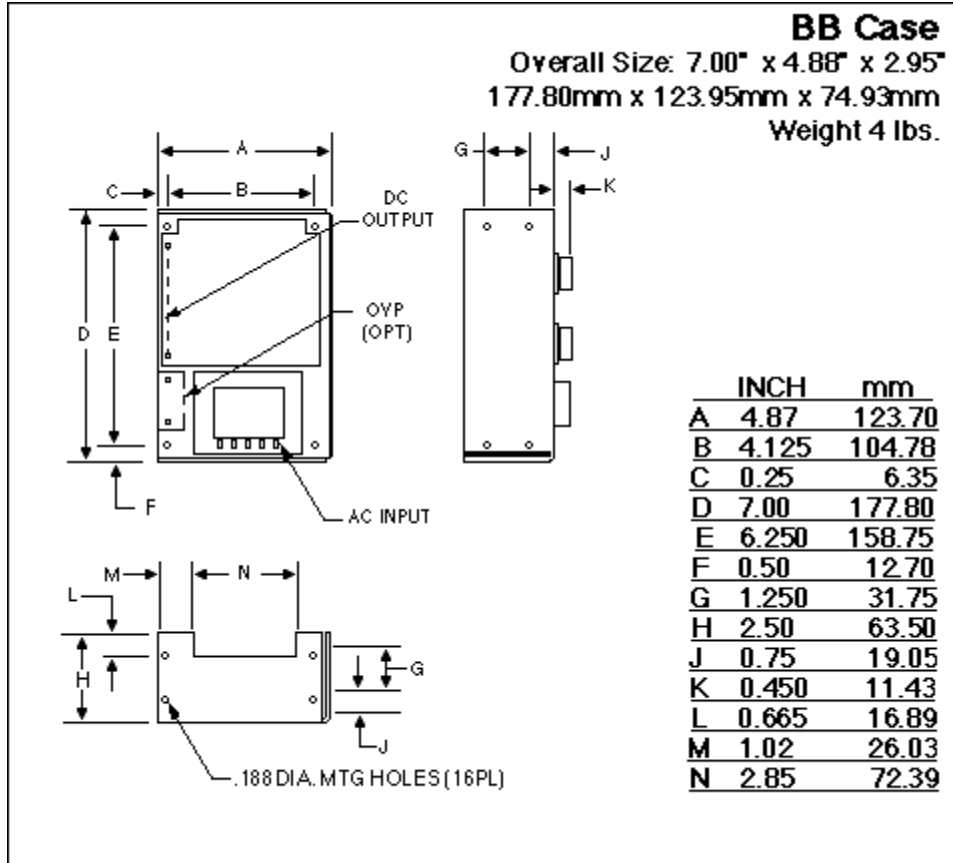
SPECIFICATIONS: LINEAR POWER SUPPLY IHBB5-3/OVP

MADE IN THE U.S.A.

<p>VAC INPUT:</p> <ul style="list-style-type: none"> • 100/120/220/240 VAC, +10%, -13% • TOLERANCE FOR 230 VAC IS +15%, -10% • FREQUENCY RANGE: 47-63HZ 	<p>VAC JUMPERING AND FUSING REQUIREMENTS: SILKSCREENED ON CHASSIS FOR TRANSFORMER PRIMARY TERMINALS</p> <table border="1"> <tr> <td>For Use at</td> <td>100VAC</td> <td>120VAC</td> <td>220VAC</td> <td>230/240VAC</td> </tr> <tr> <td>Jumper</td> <td>1&3, 2&4</td> <td>1&3, 2&4</td> <td>2&3</td> <td>2&3</td> </tr> <tr> <td>Apply AC</td> <td>1&5</td> <td>1&4</td> <td>1&5</td> <td>1&4</td> </tr> <tr> <td>Max Current / Fuse Rating</td> <td colspan="2">1A</td> <td colspan="2">0.5A</td> </tr> </table>	For Use at	100VAC	120VAC	220VAC	230/240VAC	Jumper	1&3, 2&4	1&3, 2&4	2&3	2&3	Apply AC	1&5	1&4	1&5	1&4	Max Current / Fuse Rating	1A		0.5A	
For Use at	100VAC	120VAC	220VAC	230/240VAC																	
Jumper	1&3, 2&4	1&3, 2&4	2&3	2&3																	
Apply AC	1&5	1&4	1&5	1&4																	
Max Current / Fuse Rating	1A		0.5A																		
<p>VDC OUTPUT:</p> <ul style="list-style-type: none"> • +/-5 VDC @ 3.0 AMP 	<p>OVERVOLTAGE PROTECTION:</p> <ul style="list-style-type: none"> • PROVIDED. FACTORY SET AT 6.2VDC, +/-0.4VDC <p>SHORT CIRCUIT PROTECTION:</p> <ul style="list-style-type: none"> • AUTOMATIC FOLDBACK <p>OVERLOAD PROTECTION:</p> <ul style="list-style-type: none"> • AUTOMATIC CURRENT LIMIT 																				
<p>LINE REGULATION:</p> <ul style="list-style-type: none"> • +/- 0.05% FOR A 10% LINE CHANGE 	<p>LOAD REGULATION:</p> <ul style="list-style-type: none"> • +/- 0.05% FOR A 50% LOAD CHANGE (DERATE OUTPUT CURRENT 10% FOR 50 HZ OPERATION) 																				
<p>OUTPUT RIPPLE: 5.0 mV PK-PK MAXIMUM</p>	<p>TRANSIENT RESPONSE: < 50 µsec per 50% LOAD CHANGE</p>																				
<p>TEMPERATURE RATINGS:</p> <ul style="list-style-type: none"> • OPERATING: 0°C TO 50°C FULL RATED DERATED LINEARLY TO 40% @ 70°C • STORAGE: -40°C TO +85°C 	<p>TEMPERATURE COEFFICIENT:</p> <ul style="list-style-type: none"> • TYPICAL: 0.01%/DEGREE C • MAXIMUM: 0.03%/DEGREE C 																				
<p>STABILITY: +/- 0.3% FOR 24 HOURS AFTER 1 HOUR WARM-UP</p>	<p>EFFICIENCY (TYPICAL): 45%</p>																				
<p>VIBRATION:</p> <ul style="list-style-type: none"> • MIL-STD-810G, METHOD 514.6, CATEGORY 1, PROCEDURE I • RANDOM VIBRATION 10Hz - 2KHz, 6.15 grams (3 axis) 	<p>SHOCK:</p> <ul style="list-style-type: none"> • MIL-STD-810G, METHOD 516.6, PROCEDURE III • OPERATING: 20 GPK 																				
<p>REMOTE SENSING: NOT PROVIDED</p>	<p>EMI/RFI: INHERENT LOW CONDUCTED AND REDIATED NOISE LEVELS.</p> <ul style="list-style-type: none"> • EMI: FCC CFR TITLE 47 PART 15 SUB-PART B • RFI: EN55022/CISPR22-LEVEL B COMPATIBILITY 																				

UL recognized for US and Canada – File#E133338/ CE Mark: LVD 92/59/EEC/ RoHs-5 Lead in Solder Exemption
 US and Canadian (Bi-National) standards: ANSI/UL 60950-1/-21; CAN/CSA C22.2 #60950-1/-21; IEC 60950-1

CASE SIZE: BB



X-ON Electronics

Largest Supplier of Electrical and Electronic Components

Click to view similar products for [Linear Power Supplies](#) category:

Click to view products by [International Power](#) manufacturer:

Other Similar products are found below :

[IF15-15](#) [IHB200-0.12](#) [IHBAA-40W](#) [IHC12-3.4](#) [IHC28-2.0](#) [IHC48-1.0](#) [IHD28-4.0](#) [IHE5-18/OVP](#) [IP500U24](#) [IP500U48](#) [IF5-25/OVP](#)
[IHB250-0.1](#) [IHC15-3.0](#) [IHC24-2.4](#) [IHCAA-60W](#) [IHCC24-2.4](#) [IP500U36](#) [IHA15-0.9](#) [IP500U65](#) [PPS-03-X](#) [XPDCAA](#) [IHA5-1.5/OVP](#)
[IHAD15-0.4](#) [IHB120-0.2A](#) [IHB12-1.7](#) [IHC5-6/OVP](#) [IHCC15-3.0](#) [IHD12-6.8](#) [IHDCC-150W](#) [IHTAA-16W](#) [IOVP12](#) [HAA24-0.6-AG](#)
[HCC512-AG](#) [HCC5-6/OVP-AG](#) [HDCC-150W-AG](#) [ICP131](#) [IG5-35/OVP](#) [IHA5-1.2/OVP](#) [IHAA15-0.8](#) [IHAA24-0.6](#) [IHAD12-0.4](#) [IHB155-](#)
[0.12](#) [IHB48-0.5](#) [IHBB512](#) [IHBB5-3/OVP](#) [IHBCC512](#) [IHCBB-75W](#) [IHD48-3.0](#) [IHE28-6.0](#) [IHN24-3.6](#)