



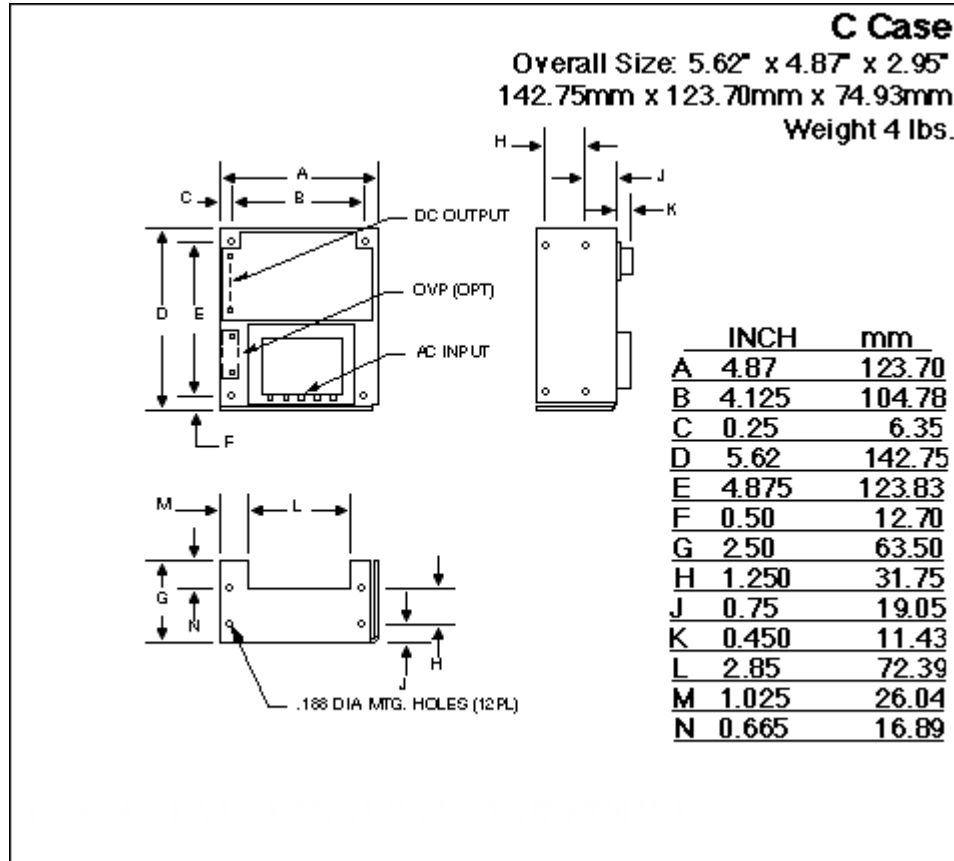
**SPECIFICATIONS: LINEAR POWER SUPPLY IHC48-1**

**MADE IN THE U.S.A.**

<p><b>VAC INPUT:</b></p> <ul style="list-style-type: none"> <li>• 100/120/220/240 VAC +10%, -13%</li> <li>• TOLERANCE FOR 230 VAC IS +15%, -10%</li> <li>• FREQUENCY RANGE: 47-63HZ</li> </ul>	<p><b>VAC JUMPERING AND FUSING REQUIREMENTS:</b> SILKSCREENED ON CHASSIS FOR TRANSFORMER PRIMARY TERMINALS</p> <table border="1"> <thead> <tr> <th>For Use at</th> <th>100VAC</th> <th>120VAC</th> <th>220VAC</th> <th>230/240VAC</th> </tr> </thead> <tbody> <tr> <td>Jumper</td> <td>1&amp;3, 2&amp;4</td> <td>1&amp;3, 2&amp;4</td> <td>2&amp;3</td> <td>2&amp;3</td> </tr> <tr> <td>Apply AC</td> <td>1&amp;5</td> <td>4&amp;1</td> <td>1&amp;5</td> <td>4&amp;1</td> </tr> <tr> <td>Max Current / Fuse Rating</td> <td colspan="2">1A</td> <td colspan="2">0.5A</td> </tr> </tbody> </table>	For Use at	100VAC	120VAC	220VAC	230/240VAC	Jumper	1&3, 2&4	1&3, 2&4	2&3	2&3	Apply AC	1&5	4&1	1&5	4&1	Max Current / Fuse Rating	1A		0.5A	
For Use at	100VAC	120VAC	220VAC	230/240VAC																	
Jumper	1&3, 2&4	1&3, 2&4	2&3	2&3																	
Apply AC	1&5	4&1	1&5	4&1																	
Max Current / Fuse Rating	1A		0.5A																		
<p><b>VDC OUTPUT:</b></p> <ul style="list-style-type: none"> <li>• 48 VDC @ 1 AMP</li> </ul>	<p><b>OVERVOLTAGE PROTECTION:</b></p> <ul style="list-style-type: none"> <li>• NOT PROVIDED. AVAILABLE BY ADDING AN IOVP12 MODULE</li> </ul> <p><b>SHORT CIRCUIT PROTECTION:</b></p> <ul style="list-style-type: none"> <li>• AUTOMATIC FOLDBACK</li> </ul> <p><b>OVERLOAD PROTECTION:</b></p> <ul style="list-style-type: none"> <li>• AUTOMATIC CURRENT LIMIT</li> </ul>																				
<p><b>LINE REGULATION:</b></p> <ul style="list-style-type: none"> <li>• +/- 0.05% FOR A 10% LINE CHANGE</li> </ul>	<p><b>LOAD REGULATION:</b></p> <ul style="list-style-type: none"> <li>• +/- 0.05% FOR A 50% LOAD CHANGE (DERATE OUTPUT CURRENT 10% FOR 50 HZ OPERATION)</li> </ul>																				
<p><b>OUTPUT RIPPLE:</b> 5.0mV PK-PK MAXIMUM</p>	<p><b>TRANSIENT RESPONSE:</b> &lt; 50 µsec per 50% LOAD CHANGE</p>																				
<p><b>TEMPERATURE RATINGS:</b></p> <ul style="list-style-type: none"> <li>• OPERATING: 0°C TO 50°C FULL RATED DERATED LINEARLY TO 40% @ 70°C</li> <li>• STORAGE: -40°C TO +85°C</li> </ul>	<p><b>TEMPERATURE COEFFICIENT:</b></p> <ul style="list-style-type: none"> <li>• TYPICAL: 0.01%/DEGREE C</li> <li>• MAXIMUM: 0.03%/DEGREE C</li> </ul>																				
<p><b>STABILITY:</b> +/- 0.3% FOR 24 HOURS AFTER 1 HOUR WARM-UP</p>	<p><b>EFFICIENCY (TYPICAL): 45%</b></p>																				
<p><b>VIBRATION:</b></p> <ul style="list-style-type: none"> <li>• MIL-STD-810G, METHOD 514.6, CATEGORY 1, PROCEDURE 1</li> <li>• RANDOM VIBRATION 10Hz - 2KHz, 6.15 grams (3 axis)</li> </ul>	<p><b>SHOCK:</b></p> <ul style="list-style-type: none"> <li>• MIL-STD-810G, METHOD 516.6, PROCEDURE III</li> <li>• OPERATING: 20 GPK</li> </ul>																				
<p><b>REMOTE SENSING:</b> NOT PROVIDED</p>	<p><b>EMI/RFI:</b> INHERENT LOW CONDUCTED AND REDIATED NOISE LEVELS.</p> <ul style="list-style-type: none"> <li>• EMI: FCC CFR TITLE 47 PART 15 SUB-PART B</li> <li>• RFI: EN55022/CISPR22-LEVEL B COMPATIBILITY</li> </ul>																				

UL recognized for US and Canada – File#E133338/ CE Mark: LVD 92/59/EEC/ RoHs-5 Lead in Solder Exemption  
 US and Canadian (Bi-National) standards: ANSI/UL 60950-1/-21; CAN/CSA C22.2 #60950-1/-21; IEC 60950-1

## CASE SIZE: C



## X-ON Electronics

Largest Supplier of Electrical and Electronic Components

*Click to view similar products for [Linear Power Supplies](#) category:*

*Click to view products by [International Power](#) manufacturer:*

Other Similar products are found below :

[IHB200-0.12](#) [IHBAA-40W](#) [IHC12-3.4](#) [IF5-25/OVP](#) [IHCAA-60W](#) [IHCC24-2.4](#) [ICP197](#) [PPS-03-X](#) [IF24-12](#) [IHA5-1.5/OVP](#) [IHAD15-0.4](#)  
[IHB120-0.2A](#) [IHB12-1.7](#) [IHBB15-1.5](#) [IHC5-6/OVP](#) [IHCC15-3.0](#) [IHD12-6.8](#) [IHE15-9.0](#) [IHTAA-16W](#) [IOVP12](#) [14431-000](#) [14428-000](#)  
[14438-000](#) [14442-000](#) [14439-000](#) [HAA24-0.6-AG](#) [HCC512-AG](#) [HCC5-6/OVP-AG](#) [HE5-18-OV-A+G](#) [HC15-3-A+G](#) [HDCC150W-A+G](#)  
[HDD15-5-A+G](#) [MBAA40W-AG](#) [SLCASK-CVR](#) [HD12-6.8-A+G](#) [HAA512-A+G](#) [HD15-6-A+G](#) [MD5-12-OV-A](#) [HCC5-6-OV-A+G](#) [IHAA5-](#)  
[1.5/OVP](#) [HA24-0.5-A+G](#) [HAD15-0.4-A+G](#) [HE28-6-A+G](#) [HB28-1-A+G](#) [MBB15-1.5-A](#) [HBB524-A+G](#) [IHCC5-6/OVP](#) [SLCASI-CVR](#)  
[ICP131](#) [IG5-35/OVP](#)