



SPECIFICATIONS: LINEAR POWER SUPPLY IHE5-18/OVP

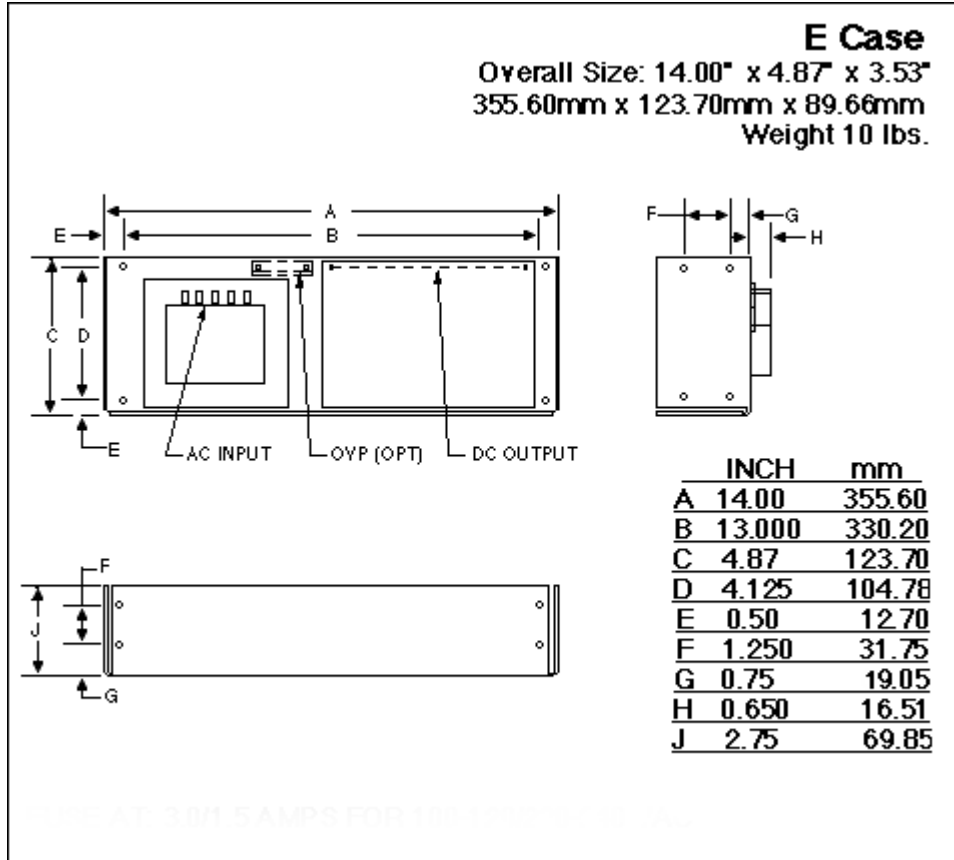
MADE IN THE U.S.A.

| <p>VAC INPUT:</p> <ul style="list-style-type: none"> • 100/120/220/240 VAC, +10%, -13% • TOLERANCE FOR 230 VAC IS +15%, -10% • FREQUENCY RANGE: 47-63HZ | <p>VAC JUMPERING AND FUSING REQUIREMENTS: SILKSCREENED ON CHASSIS FOR TRANSFORMER PRIMARY TERMINALS</p> <table border="1"> <thead> <tr> <th>For Use at</th> <th>100VAC</th> <th>120VAC</th> <th>220VAC</th> <th>230/240VAC</th> </tr> </thead> <tbody> <tr> <td>Jumper</td> <td>1&3, 2&4</td> <td>1&3, 2&4</td> <td>2&3</td> <td>2&3</td> </tr> <tr> <td>Apply AC</td> <td>1&5</td> <td>1&4</td> <td>1&5</td> <td>1&4</td> </tr> <tr> <td>Max Current / Fuse Rating</td> <td colspan="2">3A</td> <td colspan="2">1.5A</td> </tr> </tbody> </table> | For Use at | 100VAC | 120VAC | 220VAC | 230/240VAC | Jumper | 1&3, 2&4 | 1&3, 2&4 | 2&3 | 2&3 | Apply AC | 1&5 | 1&4 | 1&5 | 1&4 | Max Current / Fuse Rating | 3A | | 1.5A | |
|---|---|------------|--------|------------|--------|------------|--------|----------|----------|-----|-----|----------|-----|-----|-----|-----|---------------------------|----|--|------|--|
| For Use at | 100VAC | 120VAC | 220VAC | 230/240VAC | | | | | | | | | | | | | | | | | |
| Jumper | 1&3, 2&4 | 1&3, 2&4 | 2&3 | 2&3 | | | | | | | | | | | | | | | | | |
| Apply AC | 1&5 | 1&4 | 1&5 | 1&4 | | | | | | | | | | | | | | | | | |
| Max Current / Fuse Rating | 3A | | 1.5A | | | | | | | | | | | | | | | | | | |
| <p>VDC OUTPUT:</p> <ul style="list-style-type: none"> • 5 VDC @ 18 AMP | <p>OVERVOLTAGE PROTECTION:</p> <ul style="list-style-type: none"> • PROVIDED. FACTORY SET AT 6.2VDC, +/-0.4VDC <p>SHORT CIRCUIT PROTECTION:</p> <ul style="list-style-type: none"> • AUTOMATIC FOLDBACK <p>OVERLOAD PROTECTION:</p> <ul style="list-style-type: none"> • AUTOMATIC CURRENT LIMIT | | | | | | | | | | | | | | | | | | | | |
| <p>LINE REGULATION:</p> <ul style="list-style-type: none"> • +/- 0.05% FOR A 10% LINE CHANGE | <p>LOAD REGULATION:</p> <ul style="list-style-type: none"> • +/- 0.05% FOR A 50% LOAD CHANGE (DERATE OUTPUT CURRENT 10% FOR 50 HZ OPERATION) | | | | | | | | | | | | | | | | | | | | |
| <p>OUTPUT RIPPLE: 5.0 mV PK-PK MAXIMUM</p> | <p>TRANSIENT RESPONSE: < 50 µsec per 50% LOAD CHANGE</p> | | | | | | | | | | | | | | | | | | | | |
| <p>TEMPERATURE RATINGS:</p> <ul style="list-style-type: none"> • OPERATING: 0°C TO 50°C FULL RATED DERATED LINEARLY TO 40% @ 70°C • STORAGE: -40°C TO +85°C | <p>TEMPERATURE COEFFICIENT:</p> <ul style="list-style-type: none"> • TYPICAL: 0.01%/DEGREE C • MAXIMUM: 0.03%/DEGREE C | | | | | | | | | | | | | | | | | | | | |
| <p>STABILITY: +/- 0.3% FOR 24 HOURS AFTER 1 HOUR WARM-UP</p> | <p>EFFICIENCY (TYPICAL): 45%</p> | | | | | | | | | | | | | | | | | | | | |
| <p>VIBRATION:</p> <ul style="list-style-type: none"> • MIL-STD-810G, METHOD 514.6, CATEGORY 1, PROCEDURE I • RANDOM VIBRATION 10Hz - 2KHz, 6.15 grams (3 axis) | <p>SHOCK:</p> <ul style="list-style-type: none"> • MIL-STD-810G, METHOD 516.6, PROCEDURE III • OPERATING: 20 GPK | | | | | | | | | | | | | | | | | | | | |
| <p>REMOTE SENSING: PROVIDED</p> | <p>EMI/RFI: INHERENT LOW CONDUCTED AND REDIATED NOISE LEVELS.</p> <ul style="list-style-type: none"> • EMI: FCC CFR TITLE 47 PART 15 SUB-PART B • RFI: EN55022/CISPR22-LEVEL B COMPATIBILITY | | | | | | | | | | | | | | | | | | | | |

UL recognized for US and Canada – File#E133338/ CE Mark: LVD 92/59/EEC/ RoHs-5 Lead in Solder Exemption
 US and Canadian (Bi-National) standards: ANSI/UL 60950-1/-21; CAN/CSA C22.2 #60950-1/-21; IEC 60950-1



CASE SIZE: E



X-ON Electronics

Largest Supplier of Electrical and Electronic Components

Click to view similar products for [Linear Power Supplies](#) category:

Click to view products by [International Power](#) manufacturer:

Other Similar products are found below :

[IHB200-0.12](#) [IHBAA-40W](#) [IHC12-3.4](#) [IF5-25/OVP](#) [IHCAA-60W](#) [IHCC24-2.4](#) [ICP197](#) [PPS-03-X](#) [IF24-12](#) [IHA5-1.5/OVP](#) [IHAD15-0.4](#)
[IHB120-0.2A](#) [IHB12-1.7](#) [IHBB15-1.5](#) [IHC5-6/OVP](#) [IHCC15-3.0](#) [IHD12-6.8](#) [IHE15-9.0](#) [IHTAA-16W](#) [IOVP12](#) [14431-000](#) [14428-000](#)
[14438-000](#) [14442-000](#) [14439-000](#) [HAA24-0.6-AG](#) [HCC512-AG](#) [HCC5-6/OVP-AG](#) [HE5-18-OV-A+G](#) [HC15-3-A+G](#) [HDCC150W-A+G](#)
[HDD15-5-A+G](#) [MBAA40W-AG](#) [SLCASK-CVR](#) [HD12-6.8-A+G](#) [HAA512-A+G](#) [HD15-6-A+G](#) [MD5-12-OV-A](#) [HCC5-6-OV-A+G](#) [IHAA5-1.5/OVP](#)
[HA24-0.5-A+G](#) [HAD15-0.4-A+G](#) [HE28-6-A+G](#) [HB28-1-A+G](#) [MBB15-1.5-A](#) [HBB524-A+G](#) [IHCC5-6/OVP](#) [SLCASI-CVR](#)
[ICP131](#) [IG5-35/OVP](#)