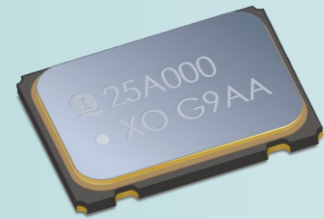


## SPXO 7050 (149-B SERIES)



### FEATURES

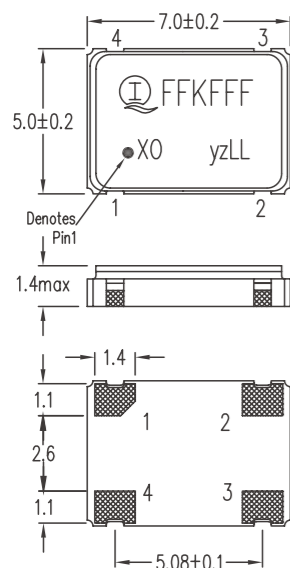
- High reliability seam welded package
- Low phase noise version available
- Low current consumption version available
- Conforms to AEC-Q100 (Optional)
- RoHS Compliant and Pb Free

### Electrical Specifications

| Parameters                         | Specifications                               |              |                |
|------------------------------------|--|--------------|----------------|
| Output Waveform 输出波形               | CMOS   |              |                |
| Frequency Range 频率范围               | 32.768KHz                                    | 1MHz ~ 50MHz | 50MHz ~ 160MHz |
| Supply Voltage Range (Vdd) 工作电压范围  | 1.0V ~ 5V                                    |              |                |
| Overall Frequency Stability 总频率偏差  | ±25ppm, ±30ppm, ±50ppm or specify            |              |                |
| Operating Temperature Range 工作温度范围 | -20°C ~ +70°C, -40°C ~ +85°C, -40°C ~ +125°C |              |                |
| Current Consumption (Idd) 消耗电流     | 100uA Max.                                   | 10mA Max.    |                |
| Rise & Fall Time 上/下沿时间            | 20ns Max.                                    | 8ns Max.     | 3ns Max.       |
| Output Symmetry 输出对称性              | 45% ~ 55%                                    |              |                |
| Output Voltage 输出电压                | V <sub>OH</sub>                              | 90% VDD      |                |
|                                    | V <sub>OL</sub>                              | 10% VDD      |                |
| Output Load 输出负载                   | 15pF   |              |                |
| Start-up Time 启动时间                 | 10ms Max.                                    |              |                |
| Storage Temperature Range 储存温度范围   | -55°C ~ +125°C                               |              |                |

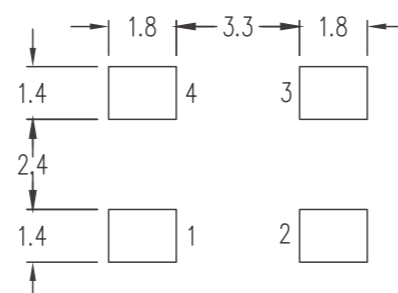
\*\* Inclusive of initial frequency tolerance at 25°C, operating temperature range, supply voltage change, load variation and 1st year aging.  
包括在常温频率偏差, 工作温度范围的频率偏差, 首年老化率, 工作电压及负载变化造成的频率偏差。  
Please consult our sales representatives for other specifications. 如对其他规格查询, 请与我司销售人员联系。

### Dimensions



### PIN CONNECTION

| P/N | 1491           |
|-----|----------------|
| 1   | Enable/Disable |
| 2   | GND            |
| 3   | Output         |
| 4   | VDD            |

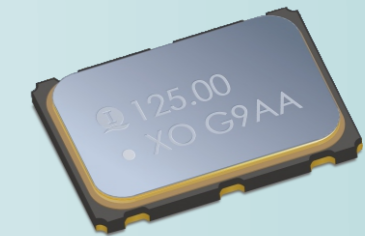


DIMENSION (mm)

SOLDERING PATTERN (mm)

All specifications are subject to change without prior notice. 本公司保留修改规格的权利。

## SPXO 7050 (149-E SERIES)



### FEATURES

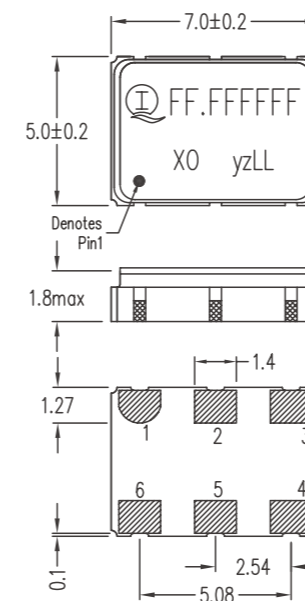
- High reliability seam welded package
- Excellent low phase noise and jitter
- Suitable for 5G Network terminal
- High Reliability and stability
- RoHS Compliant and Pb Free

### Electrical Specifications

| Parameters                         | Specifications               |                                |  |
|------------------------------------|------------------------------|--------------------------------|--|
| Output Waveform 输出波形               | LVPECL                       |                                |  |
| Frequency Range 频率范围               | 20MHz ~ 200MHz               |                                |  |
| Supply Voltage Range (Vdd) 工作电压范围  | 2.5V ~ 3.3V                  |                                |  |
| Overall Frequency Stability 总频率偏差  | ±25ppm, ±30ppm or specify    |                                |  |
| Operating Temperature Range 工作温度范围 | -20°C ~ +70°C, -40°C ~ +85°C |                                |  |
| Current Consumption (Idd) 消耗电流     | 100mA Max.                   |                                |  |
| Rise & Fall Time 上/下沿时间            | 1.5ns Max.                   |                                |  |
| Output Symmetry 输出对称性              | 45% ~ 55%                    |                                |  |
| Output Voltage 输出电压                | V <sub>OH</sub>              | Vdd-1.025V Min. Vdd-0.88V Max. |  |
|                                    | V <sub>OL</sub>              | Vdd-1.81V Min. Vdd-1.62V Max.  |  |
| Output Load 输出负载                   | 50Ω to Vdd-2.0V              |                                |  |
| Start-up Time 启动时间                 | 10ms Max.                    |                                |  |
| Storage Temperature Range 储存温度范围   | -55°C ~ +125°C               |                                |  |

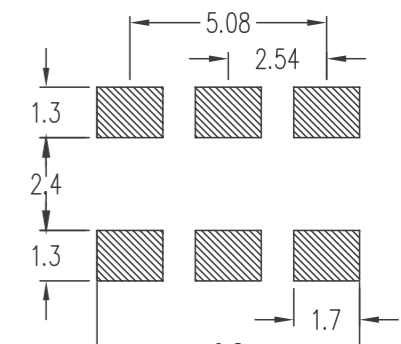
\*\* Inclusive of initial frequency tolerance at 25°C, operating temperature range, supply voltage change, load variation and 1st year aging.  
包括在常温频率偏差, 工作温度范围的频率偏差, 首年老化率, 工作电压及负载变化造成的频率偏差。  
Please consult our sales representatives for other specifications. 如对其他规格查询, 请与我司销售人员联系。

### Dimensions



### PIN CONNECTION

| P/N | 1491           |
|-----|----------------|
| 1   | Enable/Disable |
| 2   | NC             |
| 3   | GND            |
| 4   | Output         |
| 5   | Output         |
| 6   | VDD            |



DIMENSION (mm)

SOLDERING PATTERN (mm)

All specifications are subject to change without prior notice. 本公司保留修改规格的权利。

## X-ON Electronics

Largest Supplier of Electrical and Electronic Components

*Click to view similar products for [Standard Clock Oscillators](#) category:*

*Click to view products by [Interquip](#) manufacturer:*

Other Similar products are found below :

[601252](#) [F335-25](#) [F535L-33.333](#) [F535L-50](#) [NBXHBA019LN1TAG](#) [SiT1602BI-22-33E-50.000000E](#) [SIT8918AA-11-33S-50.000000G](#)  
[SM4420TEV-40.0M-T1K](#) [F335-24](#) [F335-40](#) [F535L-10](#) [F535L-12](#) [F535L-24](#) [F535L-27](#) [PE7744DW-100.0M](#) [ASF1-3.686MHZ-N-K-S](#) [ASV-](#)  
[4.000MHZ-LCS-T](#) [XO57CTECNA3M6864](#) [601251](#) [SiT8503AI-18-33E-0.200000X](#) [SIT9122AI2C233E300.000000X](#) [9120AC-2D2-](#)  
[33E212.500000](#) [9102AI-243N25E100.000000](#) [8208AC-82-18E-25.000000](#) [8008AI-72-XXE-24.545454E](#) [8004AC-13-33E-133.330000X](#) [AS-](#)  
[4.9152-16-SMD-TR](#) [ASFL1-48.000MHZ-LC-T](#) [632L3I004M000000](#) [SIT8920AM-31-33E-25.000000](#) [DSC1028DI2-019.2000](#) [9121AC-2C3-](#)  
[25E100.000000](#) [9102AI-233N33E100.000000X](#) [9102AI-233N25E200.000000](#) [9102AI-232H25S125.000000](#) [9102AI-133N25E200.000000](#) [9102AC-](#)  
[283N25E200.000000](#) [9001AC-33-33E1-30.000000](#) [8103AC-13-33E-12.000000X](#) [3921AI-2CF-33NZ125.000000](#) [5730-1SF](#) [XUN736000.032768I](#)  
[ASV-25.000MHZ-ECS-50-T](#) [EC3925ETTTS-100.000M TR](#) [SIT1602BC-83-33E-10.000000Y](#) [8003AI-12-33S-40.000000Y](#) [1602BI-13-33S-](#)  
[19.200000E](#) [8208AI-2F-18E-25.000000X](#) [8103AI-83-33E-33.000000X](#) [8208AI-8F-33E-66.666666X](#)