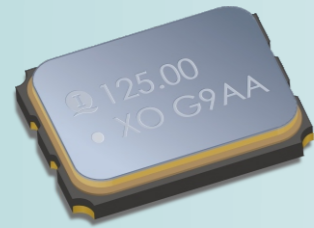


SPXO 3225 (163-F SERIES)



FEATURES

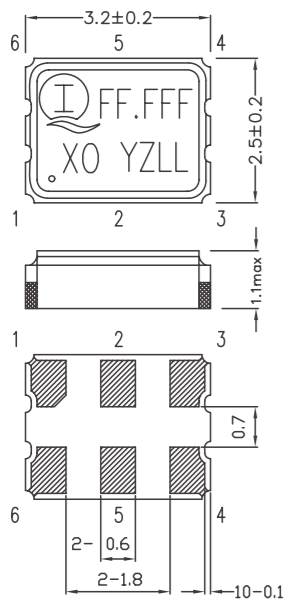
- Small size
- Excellent low phase noise and jitter
- Suitable for 5G Network terminal
- High Reliability and stability
- RoHS Compliant and Pb Free

Electrical Specifications

Parameters	Specifications
Output Waveform 输出波形	LVDS
Frequency Range 频率范围	20MHz ~ 200MHz
Supply Voltage Range (Vdd) 工作电压范围	2.5V ~ 3.3V
Overall Frequency Stability 总频率偏差	±25ppm, ±30ppm or specify
Operating Temperature Range 工作温度范围	-20°C ~ +70°C, -40°C ~ +85°C
Current Consumption (Idd) 消耗电流	100mA Max.
Rise & Fall Time 上/下沿时间	1.5ns Max.
Output Symmetry 输出对称性	45% ~ 55%
Output Voltage 输出电压	V _{OH} 1.4V Typ.
	V _{OL} 1.1V Typ.
Output Load 输出负载	100Ω
Start-up Time 起动时间	10ms Max.
Storage Temperature Range 储存温度范围	-55°C ~ +125°C

** Inclusive of initial frequency tolerance at 25°C, operating temperature range, supply voltage change, load variation and 1st year aging.
包括在常温频率偏差, 工作温度范围的频率偏差, 首年老化率, 工作电压及负载变化造成的频率偏差。
Please consult our sales representatives for other specifications. 如对其他规格查询, 请与我司销售人员联系。

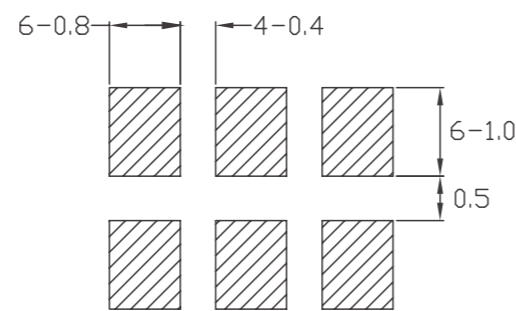
Dimensions



PIN CONNECTION

P/N	1631
1	Enable/Disable
2	N/C
3	GND
4	OUT
5	OUTN
6	VDD

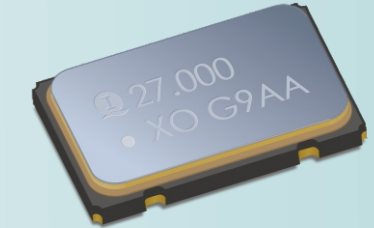
DIMENSION (mm)



SOLDERING PATTERN (mm)

All specifications are subject to change without prior notice. 本公司保留修改规格的权利。

SPXO 5032 (160-B SERIES)



FEATURES

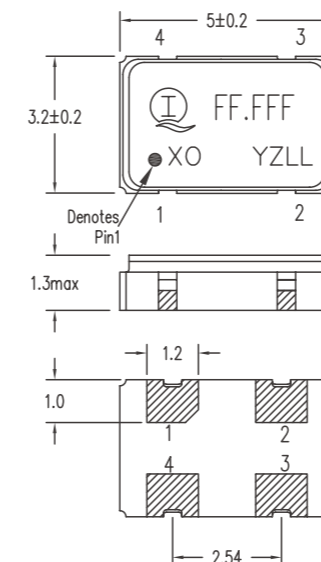
- High reliability seam welded package
- Low phase noise version available
- Low current consumption version available
- Conforms to AEC-Q100 (Optional)
- RoHS Compliant and Pb Free

Electrical Specifications

Parameters	Specifications		
Output Waveform 输出波形	CMOS		
Frequency Range 频率范围	32.768KHz	1MHz ~ 50MHz	50MHz ~ 160MHz
Supply Voltage Range (Vdd) 工作电压范围	1.0V ~ 5V		
Overall Frequency Stability 总频率偏差	±25ppm, ±30ppm, ±50ppm or specify		
Operating Temperature Range 工作温度范围	-20°C ~ +70°C, -40°C ~ +85°C, -40°C ~ +125°C		
Current Consumption (Idd) 消耗电流	100uA Max.	10mA Max.	
Rise & Fall Time 上/下沿时间	20ns Max.	8ns Max.	3ns Max.
Output Symmetry 输出对称性	45% ~ 55%		
Output Voltage 输出电压	V _{OH}	90% VDD	
	V _{OL}	10% VDD	
Output Load 输出负载	15pF		
Start-up Time 起动时间	10ms Max.		
Storage Temperature Range 储存温度范围	-55°C ~ +125°C		

** Inclusive of initial frequency tolerance at 25°C, operating temperature range, supply voltage change, load variation and 1st year aging.
包括在常温频率偏差, 工作温度范围的频率偏差, 首年老化率, 工作电压及负载变化造成的频率偏差。
Please consult our sales representatives for other specifications. 如对其他规格查询, 请与我司销售人员联系。

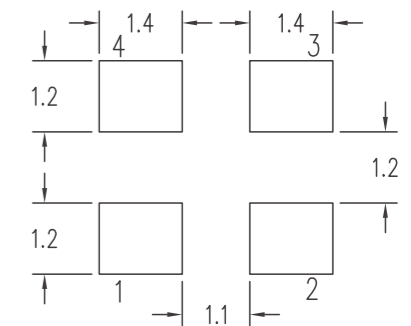
Dimensions



PIN CONNECTION

P/N	1601
1	Enable/Disable
2	GND
3	Output
4	VDD

DIMENSION (mm)



SOLDERING PATTERN (mm)

All specifications are subject to change without prior notice. 本公司保留修改规格的权利。

X-ON Electronics

Largest Supplier of Electrical and Electronic Components

Click to view similar products for [Standard Clock Oscillators](#) category:

Click to view products by [Interquip](#) manufacturer:

Other Similar products are found below :

[601252](#) [F335-25](#) [F535L-33.333](#) [F535L-50](#) [NBXHBA019LN1TAG](#) [SiT1602BI-22-33E-50.000000E](#) [SIT8918AA-11-33S-50.000000G](#)
[SM4420TEV-40.0M-T1K](#) [F335-24](#) [F335-40](#) [F535L-10](#) [F535L-12](#) [F535L-24](#) [F535L-27](#) [PE7744DW-100.0M](#) [ASF1-3.686MHZ-N-K-S](#) [ASV-](#)
[4.000MHZ-LCS-T](#) [XO57CTECNA3M6864](#) [601251](#) [SiT8503AI-18-33E-0.200000X](#) [SIT9122AI2C233E300.000000X](#) [9120AC-2D2-](#)
[33E212.500000](#) [9102AI-243N25E100.000000](#) [8208AC-82-18E-25.000000](#) [8008AI-72-XXE-24.545454E](#) [8004AC-13-33E-133.330000X](#) [AS-](#)
[4.9152-16-SMD-TR](#) [ASFL1-48.000MHZ-LC-T](#) [632L3I004M000000](#) [SIT8920AM-31-33E-25.000000](#) [DSC1028DI2-019.2000](#) [9121AC-2C3-](#)
[25E100.000000](#) [9102AI-233N33E100.000000X](#) [9102AI-233N25E200.000000](#) [9102AI-232H25S125.000000](#) [9102AI-133N25E200.000000](#) [9102AC-](#)
[283N25E200.000000](#) [9001AC-33-33E1-30.000000](#) [8103AC-13-33E-12.000000X](#) [3921AI-2CF-33NZ125.000000](#) [5730-1SF](#) [XUN736000.032768I](#)
[ASV-25.000MHZ-ECS-50-T](#) [EC3925ETTTS-100.000M TR](#) [SIT1602BC-83-33E-10.000000Y](#) [8003AI-12-33S-40.000000Y](#) [1602BI-13-33S-](#)
[19.200000E](#) [8208AI-2F-18E-25.000000X](#) [8103AI-83-33E-33.000000X](#) [8208AI-8F-33E-66.666666X](#)