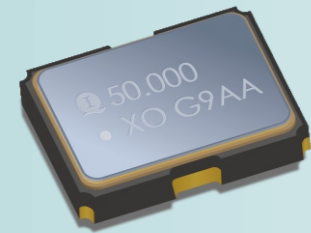


SPXO 2016 (168-B SERIES)



FEATURES

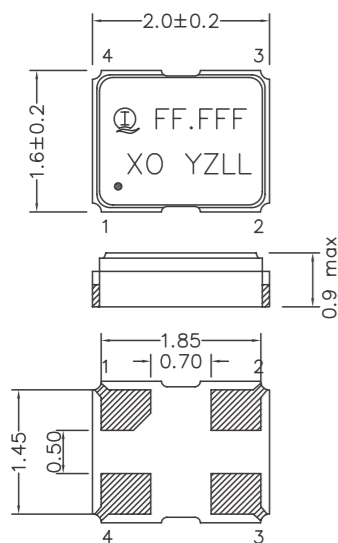
- Ultra-miniature size
- Low phase noise version available
- Suitable for wearable and handheld devices
- RoHS Compliant and Pb Free

Electrical Specifications

| Parameters | | Specifications | | |
|------------------------------------|--|--|--------------|----------------|
| Output Waveform 输出波形 | | CMOS | | |
| Frequency Range 频率范围 | | 32.768KHz | 1MHz ~ 80MHz | 80MHz ~ 160MHz |
| Supply Voltage Range (Vdd) 工作电压范围 | | 1.0V ~ 3.3V | | |
| Overall Frequency Stability 总频率偏差 | | ±25ppm, ±30ppm, ±50ppm or specify | | |
| Operating Temperature Range 工作温度范围 | | -20°C ~ +70°C, -40°C ~ +85°C, -40°C ~ +125°C | | |
| Current Consumption (Idd) 消耗电流 | | 100uA Max. | 10mA Max. | |
| Rise & Fall Time 上/下沿时间 | | 20ns Max. | 8ns Max. | 3ns Max. |
| Output Symmetry 输出对称性 | | 45% ~ 55% | | |
| Output Voltage 输出电压 | | V _{OH} | 90% VDD | |
| | | V _{OL} | 10% VDD | |
| Output Load 输出负载 | | 15pF | | |
| Start-up Time 起动时间 | | 10ms Max. | | |
| Storage Temperature Range 储存温度范围 | | -55°C ~ +125°C | | |

** Inclusive of initial frequency tolerance at 25°C, operating temperature range, supply voltage change, load variation and 1st year aging.
包括在常温频率偏差, 工作温度范围的频率偏差, 首年老化率, 工作电压及负载变化造成的频率偏差。
Please consult our sales representatives for other specifications. 如对其他规格查询, 请与我司销售人员联系。

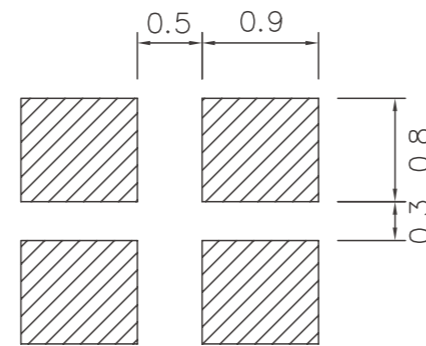
Dimensions



PIN CONNECTION

| P/N | 1681 |
|-----|----------------|
| 1 | Enable/Disable |
| 2 | GND |
| 3 | Output |
| 4 | VDD |

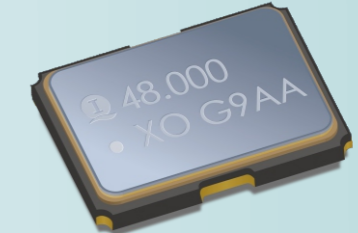
DIMENSION (mm)



SOLDERING PATTERN (mm)

All specifications are subject to change without prior notice. 本公司保留修改规格的权利。

SPXO 2520 (165-B SERIES)



FEATURES

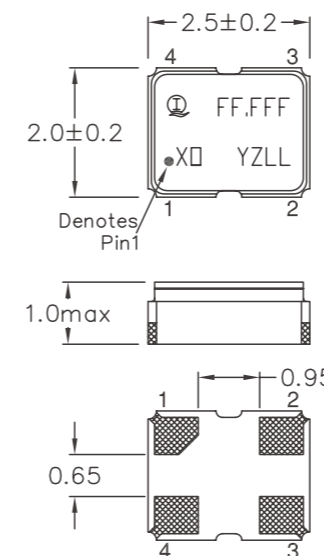
- Miniature size
- Low phase noise version available
- Suitable for wearable and handheld devices
- RoHS Compliant and Pb Free

Electrical Specifications

| Parameters | | Specifications | | |
|------------------------------------|--|--|--------------|----------------|
| Output Waveform 输出波形 | | CMOS | | |
| Frequency Range 频率范围 | | 32.768KHz | 1MHz ~ 80MHz | 80MHz ~ 160MHz |
| Supply Voltage Range (Vdd) 工作电压范围 | | 1.0V ~ 5V | | |
| Overall Frequency Stability 总频率偏差 | | ±25ppm, ±30ppm, ±50ppm or specify | | |
| Operating Temperature Range 工作温度范围 | | -20°C ~ +70°C, -40°C ~ +85°C, -40°C ~ +125°C | | |
| Current Consumption (Idd) 消耗电流 | | 100uA Max. | 10mA Max. | |
| Rise & Fall Time 上/下沿时间 | | 20ns Max. | 8ns Max. | 3ns Max. |
| Output Symmetry 输出对称性 | | 45% ~ 55% | | |
| Output Voltage 输出电压 | | V _{OH} | 90% VDD | |
| | | V _{OL} | 10% VDD | |
| Output Load 输出负载 | | 15pF | | |
| Start-up Time 起动时间 | | 10ms Max. | | |
| Storage Temperature Range 储存温度范围 | | -55°C ~ +125°C | | |

** Inclusive of initial frequency tolerance at 25°C, operating temperature range, supply voltage change, load variation and 1st year aging.
包括在常温频率偏差, 工作温度范围的频率偏差, 首年老化率, 工作电压及负载变化造成的频率偏差。
Please consult our sales representatives for other specifications. 如对其他规格查询, 请与我司销售人员联系。

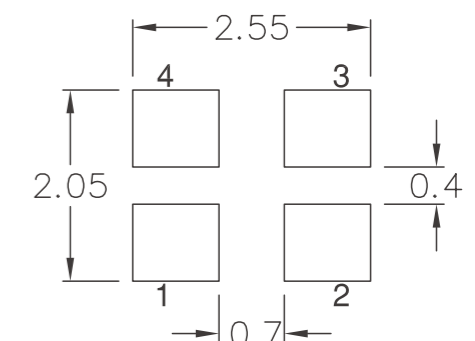
Dimensions



PIN CONNECTION

| P/N | 1651 |
|-----|----------------|
| 1 | Enable/Disable |
| 2 | GND |
| 3 | Output |
| 4 | VDD |

DIMENSION (mm)



SOLDERING PATTERN (mm)

All specifications are subject to change without prior notice. 本公司保留修改规格的权利。

X-ON Electronics

Largest Supplier of Electrical and Electronic Components

Click to view similar products for [Standard Clock Oscillators](#) category:

Click to view products by [Interquip](#) manufacturer:

Other Similar products are found below :

[601252](#) [F335-25](#) [F535L-33.333](#) [F535L-50](#) [NBXHBA019LN1TAG](#) [SiT1602BI-22-33E-50.000000E](#) [SIT8918AA-11-33S-50.000000G](#)
[SM4420TEV-40.0M-T1K](#) [F335-24](#) [F335-40](#) [F535L-10](#) [F535L-12](#) [F535L-24](#) [F535L-27](#) [PE7744DW-100.0M](#) [ASF1-3.686MHZ-N-K-S](#) [ASV-](#)
[4.000MHZ-LCS-T](#) [XO57CTECNA3M6864](#) [601251](#) [SiT8503AI-18-33E-0.200000X](#) [SIT9122AI2C233E300.000000X](#) [9120AC-2D2-](#)
[33E212.500000](#) [9102AI-243N25E100.000000](#) [8208AC-82-18E-25.000000](#) [8008AI-72-XXE-24.545454E](#) [8004AC-13-33E-133.330000X](#) [AS-](#)
[4.9152-16-SMD-TR](#) [ASFL1-48.000MHZ-LC-T](#) [632L3I004M000000](#) [SIT8920AM-31-33E-25.000000](#) [DSC1028DI2-019.2000](#) [9121AC-2C3-](#)
[25E100.000000](#) [9102AI-233N33E100.000000X](#) [9102AI-233N25E200.000000](#) [9102AI-232H25S125.000000](#) [9102AI-133N25E200.000000](#) [9102AC-](#)
[283N25E200.000000](#) [9001AC-33-33E1-30.000000](#) [8103AC-13-33E-12.000000X](#) [3921AI-2CF-33NZ125.000000](#) [5730-1SF](#) [XUN736000.032768I](#)
[ASV-25.000MHZ-ECS-50-T](#) [EC3925ETTTS-100.000M TR](#) [SIT1602BC-83-33E-10.000000Y](#) [8003AI-12-33S-40.000000Y](#) [1602BI-13-33S-](#)
[19.200000E](#) [8208AI-2F-18E-25.000000X](#) [8103AI-83-33E-33.000000X](#) [8208AI-8F-33E-66.666666X](#)