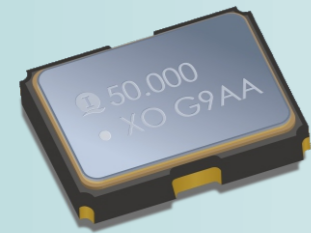


## SPXO 2016 (168-B SERIES)



### FEATURES

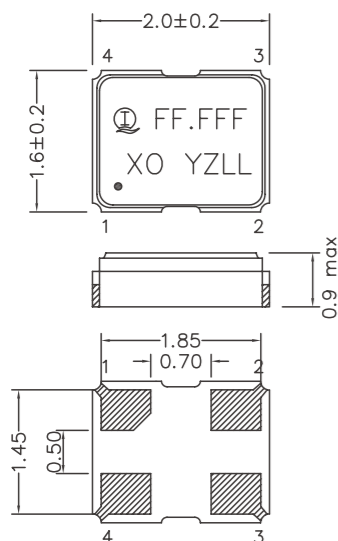
- Ultra-miniature size
- Low phase noise version available
- Suitable for wearable and handheld devices
- RoHS Compliant and Pb Free

### Electrical Specifications

Parameters		Specifications		
Output Waveform 输出波形		CMOS		
Frequency Range 频率范围		32.768KHz	1MHz ~ 80MHz	80MHz ~ 160MHz
Supply Voltage Range (Vdd) 工作电压范围		1.0V ~ 3.3V		
Overall Frequency Stability 总频率偏差		±25ppm, ±30ppm, ±50ppm or specify		
Operating Temperature Range 工作温度范围		-20°C ~ +70°C, -40°C ~ +85°C, -40°C ~ +125°C		
Current Consumption (Idd) 消耗电流		100uA Max.	10mA Max.	
Rise & Fall Time 上/下沿时间		20ns Max.	8ns Max.	3ns Max.
Output Symmetry 输出对称性		45% ~ 55%		
Output Voltage 输出电压		V <sub>OH</sub>	90% VDD	
		V <sub>OL</sub>	10% VDD	
Output Load 输出负载		15pF		
Start-up Time 起动时间		10ms Max.		
Storage Temperature Range 储存温度范围		-55°C ~ +125°C		

\*\* Inclusive of initial frequency tolerance at 25°C, operating temperature range, supply voltage change, load variation and 1st year aging.  
包括在常温频率偏差, 工作温度范围的频率偏差, 首年老化率, 工作电压及负载变化造成的频率偏差。  
Please consult our sales representatives for other specifications. 如对其他规格查询, 请与我司销售人员联系。

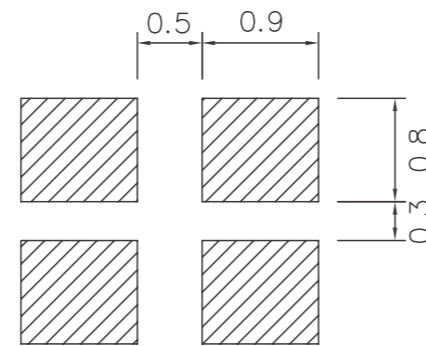
### Dimensions



### PIN CONNECTION

P/N	1681
1	Enable/Disable
2	GND
3	Output
4	VDD

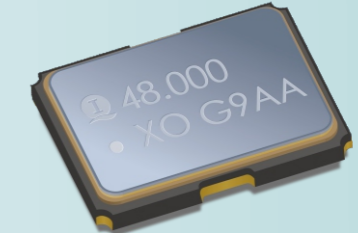
DIMENSION (mm)



SOLDERING PATTERN (mm)

All specifications are subject to change without prior notice. 本公司保留修改规格的权利。

## SPXO 2520 (165-B SERIES)



### FEATURES

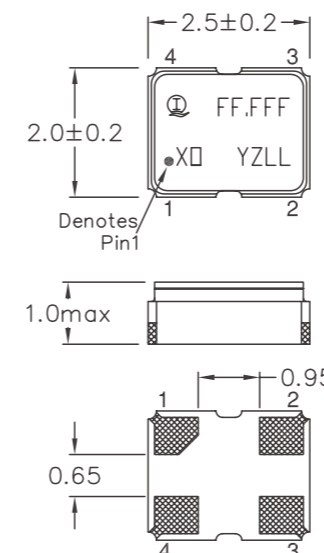
- Miniature size
- Low phase noise version available
- Suitable for wearable and handheld devices
- RoHS Compliant and Pb Free

### Electrical Specifications

Parameters		Specifications		
Output Waveform 输出波形		CMOS		
Frequency Range 频率范围		32.768KHz	1MHz ~ 80MHz	80MHz ~ 160MHz
Supply Voltage Range (Vdd) 工作电压范围		1.0V ~ 5V		
Overall Frequency Stability 总频率偏差		±25ppm, ±30ppm, ±50ppm or specify		
Operating Temperature Range 工作温度范围		-20°C ~ +70°C, -40°C ~ +85°C, -40°C ~ +125°C		
Current Consumption (Idd) 消耗电流		100uA Max.	10mA Max.	
Rise & Fall Time 上/下沿时间		20ns Max.	8ns Max.	3ns Max.
Output Symmetry 输出对称性		45% ~ 55%		
Output Voltage 输出电压		V <sub>OH</sub>	90% VDD	
		V <sub>OL</sub>	10% VDD	
Output Load 输出负载		15pF		
Start-up Time 起动时间		10ms Max.		
Storage Temperature Range 储存温度范围		-55°C ~ +125°C		

\*\* Inclusive of initial frequency tolerance at 25°C, operating temperature range, supply voltage change, load variation and 1st year aging.  
包括在常温频率偏差, 工作温度范围的频率偏差, 首年老化率, 工作电压及负载变化造成的频率偏差。  
Please consult our sales representatives for other specifications. 如对其他规格查询, 请与我司销售人员联系。

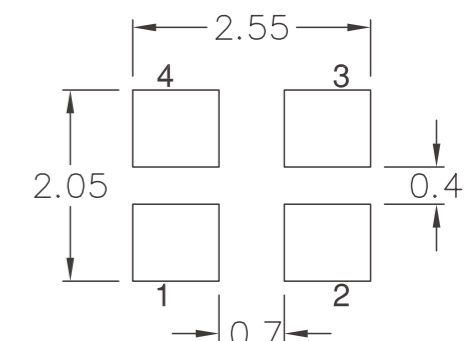
### Dimensions



### PIN CONNECTION

P/N	1651
1	Enable/Disable
2	GND
3	Output
4	VDD

DIMENSION (mm)



SOLDERING PATTERN (mm)

All specifications are subject to change without prior notice. 本公司保留修改规格的权利。

## X-ON Electronics

Largest Supplier of Electrical and Electronic Components

*Click to view similar products for [Standard Clock Oscillators](#) category:*

*Click to view products by [Interquip](#) manufacturer:*

Other Similar products are found below :

[601252](#) [F335-25](#) [F535L-33.333](#) [F535L-50](#) [NBXHBA019LN1TAG](#) [SiT1602BI-22-33E-50.000000E](#) [SiT8209AI-32-33E-125.000000](#)  
[SIT8918AA-11-33S-50.000000G](#) [SM4420TEV-40.0M-T1K](#) [F335-24](#) [F335-40](#) [F535L-10](#) [F535L-12](#) [F535L-24](#) [F535L-27](#) [PE7744DW-](#)  
[100.0M](#) [ASF1-3.686MHZ-N-K-S](#) [ASV-4.000MHZ-LCS-T](#) [XLH735025.000JU4I8](#) [XLP725125.000JU6I8](#) [XO57CTECNA3M6864](#) [601251](#)  
[SiT8503AI-18-33E-0.200000X](#) [SIT8918AA-11-33S-16.000000G](#) [SIT9122AI2C233E300.000000X](#) [XO37CTECNA20M](#) [9120AC-2D2-](#)  
[33E212.500000](#) [9102AI-243N25E100.000000](#) [8208AC-82-18E-25.000000](#) [8008AI-72-XXE-24.545454E](#) [8004AC-13-33E-133.33000X](#) [ASFL1-](#)  
[48.000MHZ-LC-T](#) [632L3I004M00000](#) [SIT8920AM-31-33E-25.0000](#) [9121AC-2C3-25E100.000000](#) [9102AI-233N33E100.00000X](#) [9102AI-](#)  
[233N25E200.000000](#) [9102AI-232H25S125.000000](#) [9102AI-133N25E200.000000](#) [9102AC-283N25E200.000000](#) [9001AC-33-33E1-30.000](#)  
[8103AC-13-33E-12.00000X](#) [3921AI-2CF-33NZ125.000000](#) [5730-1SF](#) [XUN736000.032768I](#) [EC3925ETTTTS-100.000M TR](#) [SIT1602BC-83-](#)  
[33E-10.000000Y](#) [8003AI-12-33S-40.00000Y](#) [1602BI-13-33S-19.200000E](#) [8208AI-2F-18E-25.000000X](#)