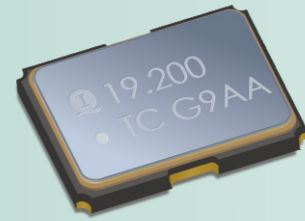


TCXO 2520 (TC900 SERIES)



FEATURES

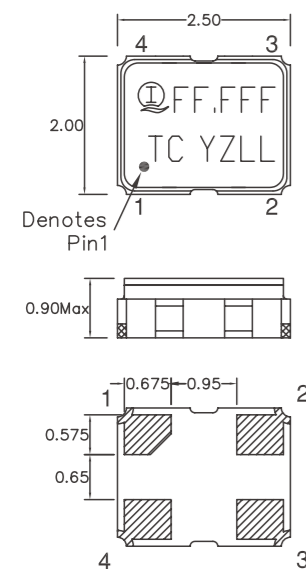
- Miniature size
- High reliability seam welded package
- Pick and place assembly
- Voltage Control applicable
- Low supply voltage version available
- RoHS Compliant and Pb Free

Electrical Specifications

Parameters	Specifications
Output Waveform 输出波形	Clipped Sine
Frequency Range 频率范围	9.5MHz ~ 70MHz
Supply Voltage Range (Vdd) 工作电压范围	1.8V ~ 3.3V
Operating Temperature Range 工作温度范围	-20°C ~ +70°C, -40°C ~ +85°C
Frequency Stability 频率偏差	
vs. Room Temp. (25°C ± 3°C) 相对常温	±1.0ppm, ±1.5ppm, ±2.0ppm
vs. Operating Temp. 相对工作温度	±0.5ppm, ±1.0ppm, ±1.5ppm, ±2.0ppm
vs. Voltage Change (±5%) 相对电压变化	±0.2ppm Max.
vs. Load Change (±5%) 相对负载变化	±0.2ppm Max.
vs. Aging (First Year) 相对首年老化率	±1ppm
Current Consumption (Idd) 消耗电流	2mA Max.
Output Voltage 输出电压	Vp-p
	0.8V Min.
Output Load 输出负载	10k Ω // 10pF
Pullability 牵引范围 (for VCTCXO)	±9 ~ ±15ppm Typ.
Control Voltage Range 控制电压范围 (for VCTCXO)	0.90V ± 0.60V, 1.4V ± 1V
Phase Noise @ 1kHz Offset	-130dBc/Hz Typ.
Start-up Time 起动时间	3ms Max.
Storage Temperature Range 储存温度范围	-40°C ~ +85°C

Please consult our sales representatives for other specifications. 如对其他规格查询, 请与我司销售人员联系。

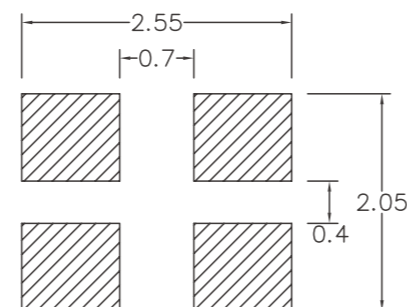
Dimensions



PIN CONNECTION

P/N	FUNCTION
1	Ground Recommended
2	Ground
3	Output
4	Vcc

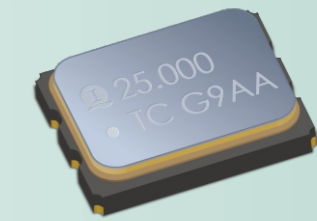
DIMENSION (mm)



SOLDERING PATTERN (mm)

All specifications are subject to change without prior notice. 本公司保留修改规格的权利。

TCXO 3225 (TC800 SERIES)



FEATURES

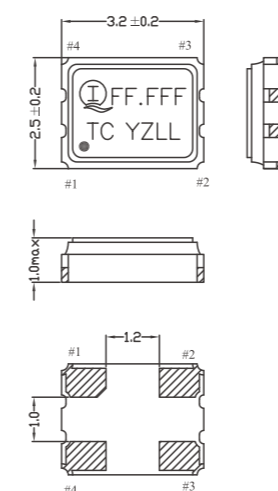
- Small size
- High reliability seam welded package
- Pick and place assembly
- Voltage Control applicable
- Low supply voltage version available
- RoHS Compliant and Pb Free

Electrical Specifications

Parameters	Specifications
Output Waveform 输出波形	Clipped Sine
Frequency Range 频率范围	9.5MHz ~ 66MHz
Supply Voltage Range (Vdd) 工作电压范围	1.8V ~ 3.3V
Operating Temperature Range 工作温度范围	-20°C ~ +70°C, -40°C ~ +85°C
Frequency Stability 频率偏差	
vs. Room Temp. (25°C ± 3°C) 相对常温	±1.0ppm, ±2.0ppm
vs. Operating Temp. 相对工作温度	±0.5ppm, ±1.0ppm, ±2.0ppm
vs. Voltage Change (±5%) 相对电压变化	±0.2ppm Max.
vs. Load Change (±5%) 相对负载变化	±0.2ppm Max.
vs. Aging (First Year) 相对首年老化率	±1ppm
Current Consumption (Idd) 消耗电流	2mA Max.
Output Voltage 输出电压	Vp-p
	0.8V Min.
Output Load 输出负载	10k Ω // 10pF
Pullability 牵引范围 (for VCTCXO)	±9 ~ ±15ppm Typ.
Control Voltage Range 控制电压范围 (for VCTCXO)	0.90V ± 0.60V, 1.4V ± 1V
Phase Noise @ 1kHz Offset	-130dBc/Hz Typ.
Start-up Time 起动时间	3ms Max.
Storage Temperature Range 储存温度范围	-40°C ~ +85°C

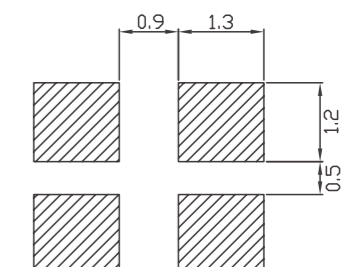
Please consult our sales representatives for other specifications. 如对其他规格查询, 请与我司销售人员联系。

Dimensions



PIN	CONNECTION
#1	N.C
#2	GROUND
#3	OUTPUT
#4	VDD

DIMENSION (mm)



SOLDERING PATTERN (mm)

All specifications are subject to change without prior notice. 本公司保留修改规格的权利。

X-ON Electronics

Largest Supplier of Electrical and Electronic Components

Click to view similar products for [Standard Clock Oscillators](#) category:

Click to view products by [Interquip](#) manufacturer:

Other Similar products are found below :

[601252](#) [F335-25](#) [F535L-33.333](#) [F535L-50](#) [NBXHBA019LN1TAG](#) [SiT1602BI-22-33E-50.000000E](#) [SiT8209AI-32-33E-125.000000](#)
[SIT8918AA-11-33S-50.000000G](#) [SM4420TEV-40.0M-T1K](#) [F335-24](#) [F335-40](#) [F535L-10](#) [F535L-12](#) [F535L-24](#) [F535L-27](#) [PE7744DW-](#)
[100.0M](#) [ASF1-3.686MHZ-N-K-S](#) [ASV-4.000MHZ-LCS-T](#) [XLH735025.000JU4I8](#) [XLP725125.000JU6I8](#) [XO57CTECNA3M6864](#) [601251](#)
[SiT8503AI-18-33E-0.200000X](#) [SIT8918AA-11-33S-16.000000G](#) [SIT9122AI2C233E300.000000X](#) [XO37CTECNA20M](#) [9120AC-2D2-](#)
[33E212.500000](#) [9102AI-243N25E100.000000](#) [8208AC-82-18E-25.000000](#) [8008AI-72-XXE-24.545454E](#) [8004AC-13-33E-133.33000X](#) [ASFL1-](#)
[48.000MHZ-LC-T](#) [632L3I004M00000](#) [SIT8920AM-31-33E-25.0000](#) [9121AC-2C3-25E100.000000](#) [9102AI-233N33E100.00000X](#) [9102AI-](#)
[233N25E200.000000](#) [9102AI-232H25S125.000000](#) [9102AI-133N25E200.000000](#) [9102AC-283N25E200.000000](#) [9001AC-33-33E1-30.000](#)
[8103AC-13-33E-12.00000X](#) [3921AI-2CF-33NZ125.000000](#) [5730-1SF](#) [XUN736000.032768I](#) [EC3925ETTTS-100.000M TR](#) [SIT1602BC-83-](#)
[33E-10.000000Y](#) [8003AI-12-33S-40.00000Y](#) [1602BI-13-33S-19.200000E](#) [8208AI-2F-18E-25.000000X](#)