

ISM43362-B81 Wi-Fi 802.11b/g/n Module

SDIO Interface...Linux...Android...

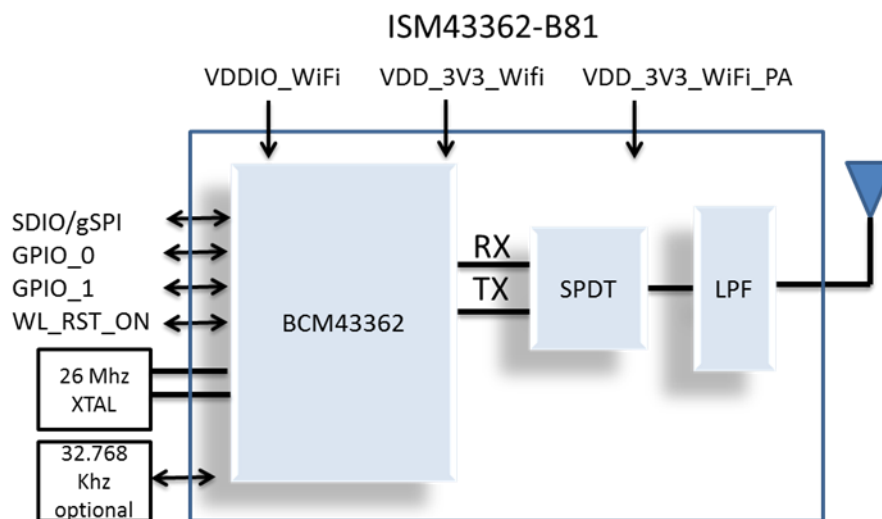
The Inventek ISM43362-B81 is an 802.11 b/g/n WiFi Radio SiP with on board antenna or optional external antenna with a U.FL connector, which is designed for embedded wireless solutions and offers a cost-effective high performance Broadcom radio device (BCM43362) packaged in an **81 pin BGA (8.1mm x 8.6mm)**. It includes standards-based wired and wireless technologies to enable IP infrastructures for smart grid, smart home, security, building automation, toys, robots, remote health and wellness monitoring and other IoT and M2M applications.



The module is based on IEEE802.11 b/g/n antenna single-stream align technology.

Main Features

- ◆ 802.11 b, g, n compliant based on Broadcom MAC/Baseband/Radio device
- ◆ FCC and Ce certified in process
- ◆ IEEE 802.11 b/g/n complaint
- ◆ Soft Access Point for up to 7 clients for configuration and ad-hoc networks
- ◆ Host interface: SDIO
- ◆ Network features ICMP (Ping), ARP, DHCP, TCP, UDP
- ◆ Low power operation (3.3V supply)



Application Examples

- ◆ PDA, Pocket PC, computing devices
- ◆ Building automation and smart energy control
- ◆ Industrial sensing and remote equipment monitoring
- ◆ Warehousing, logistics and freight management
- ◆ PC and gaming peripherals
- ◆ Printers, scanners, alarm and video systems
- ◆ Medical applications including patient monitoring and remote diagnostics

NETWORK STANDARD	IEEE 802.11b/g/n
RF FREQUENCY	2.400 GHz ~ 2.497 GHz
DATA RATES	802.11n: 6.5, 13, 19.5, 26, 39, 52, 58.5, 65 Mbps
	802.11g: 6, 9, 12, 18, 24, 36, 48, 54 Mbps
	802.11b: 1, 2, 5.5, 11 Mbps
MODULATION TECHNIQUES	802.11g/n: OFDM /64-QAM, 16-QAM, QPSK, BPSK
	802.11b: CCK, DQPSK, DBPSK
WIRELESS SECURITY	WEP (64/128-bit), WPA™ (PSK, TKIP) / WPA2™ (AES, CCMP, 802.1x Authentication)
HOST INTERFACE	SDIO
NETWORK PROTOCOLS	TCP, UDP, IPv4, ARP, ICMP, DHCP Client
WLAN FUNCTIONS	Power save modes, automatic roaming, auto-rate
	Ad-hoc and Infrastructure modes
CONFIGURATION	WICED, Linux, Android
SUPPLY VOLTAGE	3.3V ± 5%
PACKAGE	81 Pin BGA (8.1 x 8.6 mm)
OPERATING TEMPERATURE	-35°C to +80°C
CERTIFICATIONS	No FCC

Device	Description	Ordering Number
ISM43362-B81	802.11 SiP Module based on Broadcom BCM43362	ISM43362-B81
ISM43362-B81-EVB	SDIO Evaluation Board	ISM43362-B81-EVB

Contact
 Inventek Systems
 2 Republic Road
 Billerica Ma 01862
 978-667-1962

E-mail
 Sales@Inventeksys.com
 Engineering@Inventeksys.com
 www.Inventeksys.com

X-ON Electronics

Largest Supplier of Electrical and Electronic Components

Click to view similar products for [inventek systems](#) manufacturer:

Other Similar products are found below :

[ISM43340-M4G-L44-10CF](#)