

ELPAC FWE050 SERIES CLASS I

50 Watt
ITE Desktop Power Supply

- Safety Approval - EN60950-1 Class I
- High Efficiency: Level VI
- Hold-up Time >10ms at full load
- Fully Regulated DC output
- EuP Directive Compliant
- LED Indicator
- 5-Year Limited Warranty



Model Number	Output Voltage	Output Current	Peak Current ¹	Total Regulation ²	Typical Efficiency ³
FWE050012A-10A	12.0V	4.25A	5.0A	±5%	89.6%
FWE050015A-10A	15.0V	3.3A	4.0A	±5%	89.8%
FWE050018A-10A	18.0V	2.7A	3.3A	±5%	90.3%
FWE050019A-10A	19.0V	2.6A	3.1A	±5%	90.3%
FWE050024A-10A	24.0V	2.1A	2.5A	±5%	90.6%

INPUT	
Input Voltage	85 – 264VAC 100 – 240VAC Nominal
Input Frequency	47 – 63Hz
Input Current	<1.0A rms
Inrush Current	<60A at 230VAC cold start
Zero Load Power Consumption	<0.1W
Earth Leakage Current (Typical)	<100µA @ 132VAC @ 60Hz
	<150µA @ 264VAC @ 60Hz

OUTPUT	
Output Voltage	See Table
Total Regulation	+/-5%
Minimum Load	No minimum load required
Start-Up Delay	<1.5s
Hold-Up Time	>10ms at any input voltage
Ripple & Noise	<1% pk-pk **
Over Voltage Protection	112 – 135%
Over Temperature Protection	First Stage - Recoverable; plus 2nd stage - Non Recoverable
Over Current Protection	108 – 180%
Short Circuit Protection	Shutdown, auto-restart (hiccup mode)

Notes

**Ripple and noise measured with 20MHz bandwidth; 10µF tantalum capacitor in parallel with a 0.1µF ceramic capacitor.

ELPAC FWE050 SERIES - CLASS I

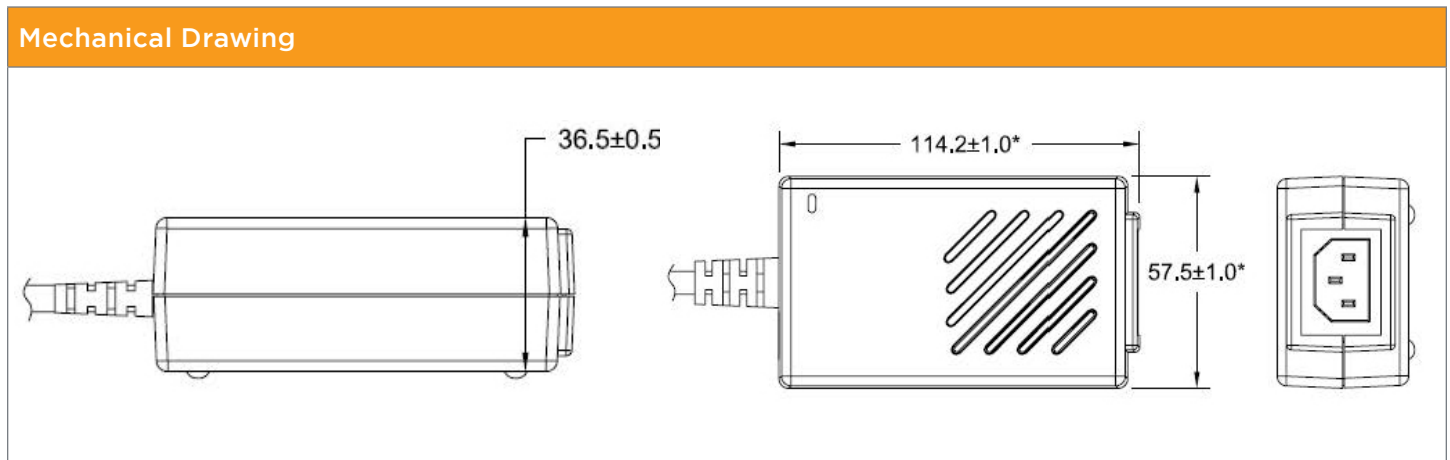
50 Watt

ITE Desktop Power Supply



General		Environmental		EMC & Safety	
Efficiency	Avg. Efficiency 90.7% @ 115VAC; 89.8% @ 230VAC	Operating Temperature	0 – 60°C (Full load to 40°C, derate linearly to 50% load at 60°C)	Emissions	FCC class B, CISPR22 class B EN6100-3-2, 3
MTBF	min. 200,000 hours demonstrated	Storage Temperature	-40°C to +85°C	Immunity	EN61000-4-2, -3, -4, -5, -6, -8, -11
Size	4.48" (114.2mm) x 2.26" (57.5mm) x 1.43" (36.5mm)	Relative Humidity	5-95%, non-condensing	Certified by TUV to the following:	cTUVus
Weight	0.4 lbs (0.20 Kg)	Cooling	Natural Convection		UL 606950-1
Power Density	3.43W/in ³	Vibration	All units production tested to 19.6m/s ²		CAN/CSA-22.2 No.950
		Altitude (Operating)	Rated to 5000M		CB per IEC60950-1 2nd edition
					CE marked to LVD directive and RoHS II directive

Input Configuration		Output Configuration		Output Pin Assignments	
Standard Input Cable	Not Provided	Standard Output Cable	4ft	Center	+V1
Connection on Power Supply Body	IEC 320 C14 Receptacle	Cord Size	2x16awg zip	Outside	Return
		Connector (PSU side)	Switchcraft 760 or equivalent		
		Mating Connector	Switchcraft 760 or equivalent		



X-ON Electronics

Largest Supplier of Electrical and Electronic Components

Click to view similar products for [Desktop AC Adapters](#) category:

Click to view products by [Inventus Power](#) manufacturer:

Other Similar products are found below :

[212A2136](#) [SWA-1202](#) [SWA-1501](#) [212A2220](#) [432703037451](#) [KR8-PS01](#) [1894875](#) [FWE050024B-10A](#) [820A4080G](#) [825A0057-03](#) [SWA-1704W](#) [SDI65-24-UDC-P5R](#) [TRH21A120-49E03-Level-VI](#) [FWC100024A-11A](#) [FWE050012B-10A](#) [AC-DC ADAPTER 90W w/ Cable](#) [FWA065024A-11A](#) [PSA120U-560L6](#) [FWE050024A-10A](#) [96PSA-A63W18V1-M](#) [1895235](#) [69-D72](#) [PW-C0725-W2-B](#) [57-U1](#) [57-U2](#) [CENB1040A1245F02](#) [SED80N2-16.0](#) [SED80N3-16.0](#) [RFQ43442-01](#) [50966124050E](#) [96PSA-A36W12R1-3](#) [PCM50UT04](#) [PCM50UT05](#) [TRH100A240-11E12 VI](#) [TRE36A120-01G03 VI](#) [NPB-360-12XLR](#) [NPB-360-24XLR](#) [NPB-750-24](#) [SYS1588-3015-T2](#) [SYS1588-3018-T2](#) [SYS1588-3024-T2](#) [DTE150-24SX-F-W6](#) [96PSA-A60W12V1-4](#) [63040-010036-210-RS](#) [96PSA-A60W12W7-3](#) [SPU45-105](#) [96PSA-A100W18D4-M3](#) [PDM30US18](#) [AEB70US18](#) [63040-010120-210-RS](#)